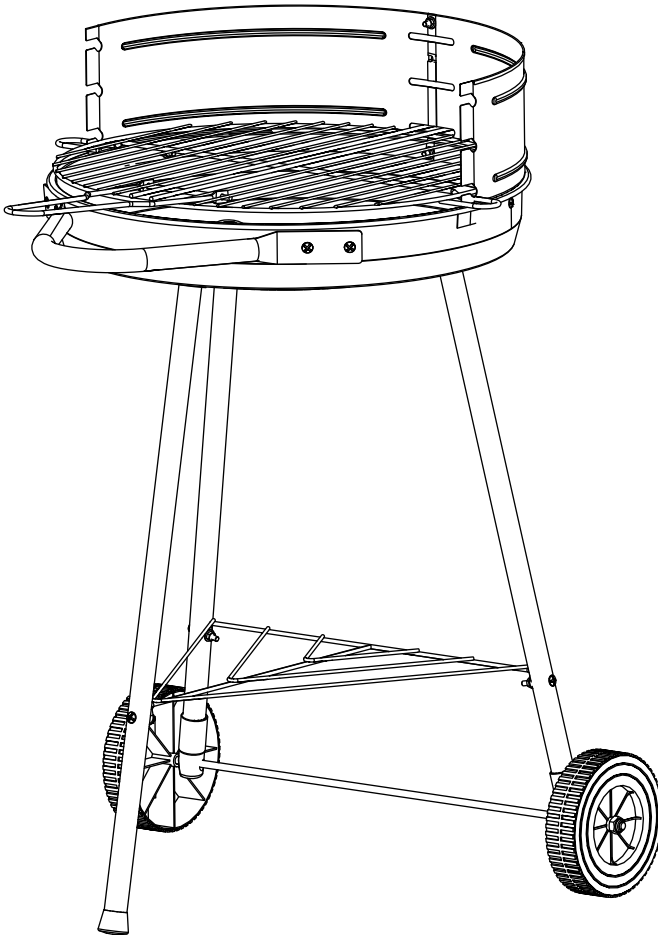
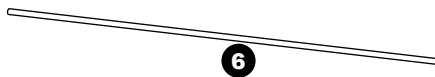
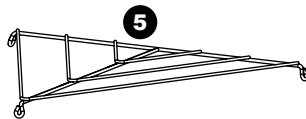
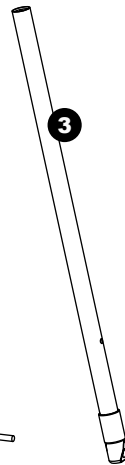
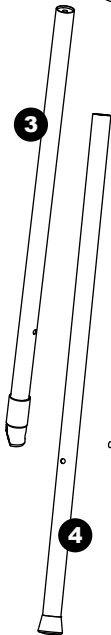
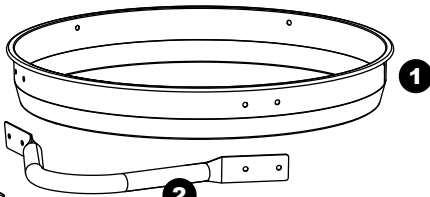
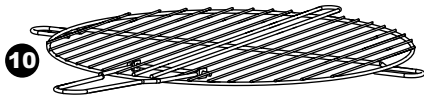
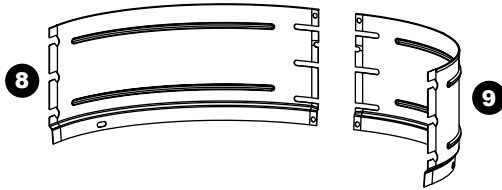
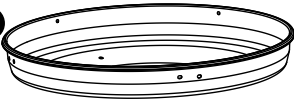
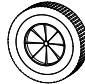

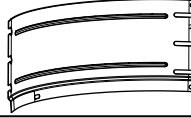

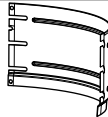


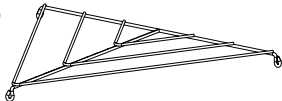


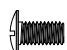









TOM 354400i (NF)





1		x 1	7		x 2
2		x 1	8		x 1
3		x 2	9		x 1
4		x 1	10		x 1
5		x 1	11		x 1
6		x 1			

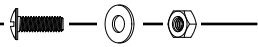
	6 x 12	3
	4 x 25	3
	4 x 12	7
	4 x 8	1

	Ø25	3
	Ø4	11
	Ø6	2
	Ø4	11

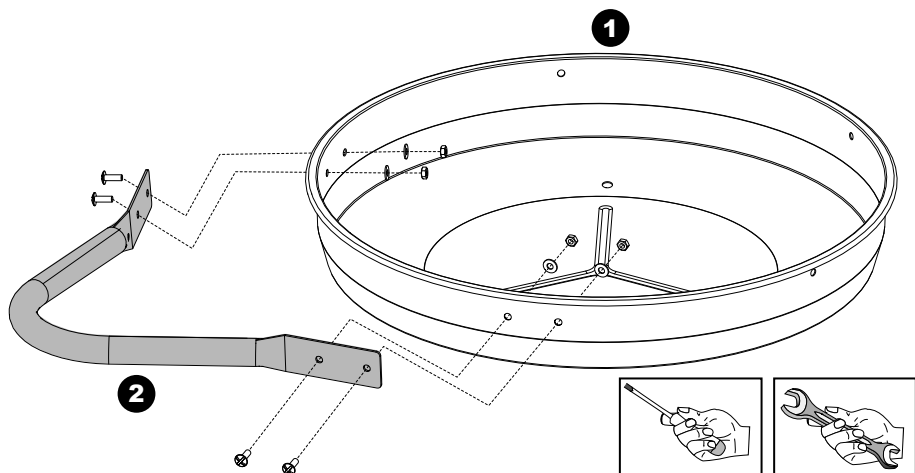


1

Ø4x12 Ø4 Ø4



x 4 x 4 x 4

**2**

Ø6 x 12

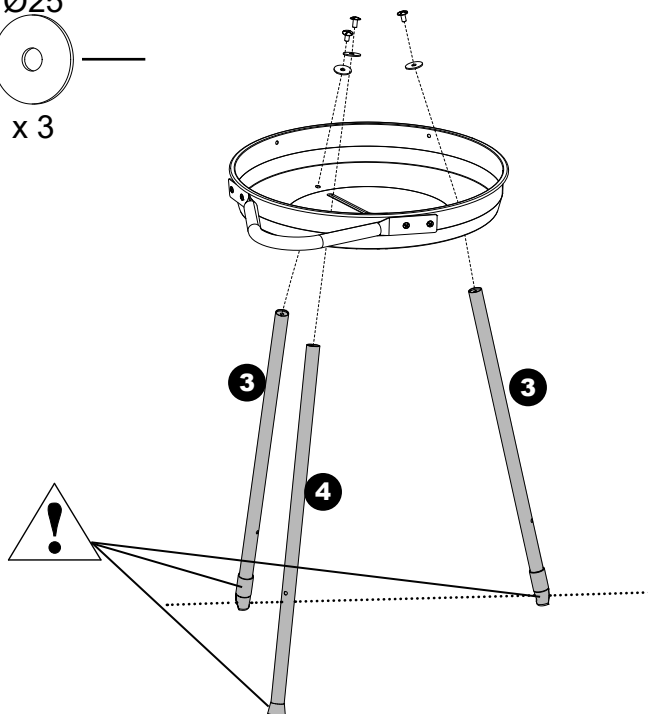
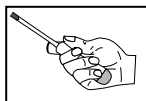
Ø25



x 3

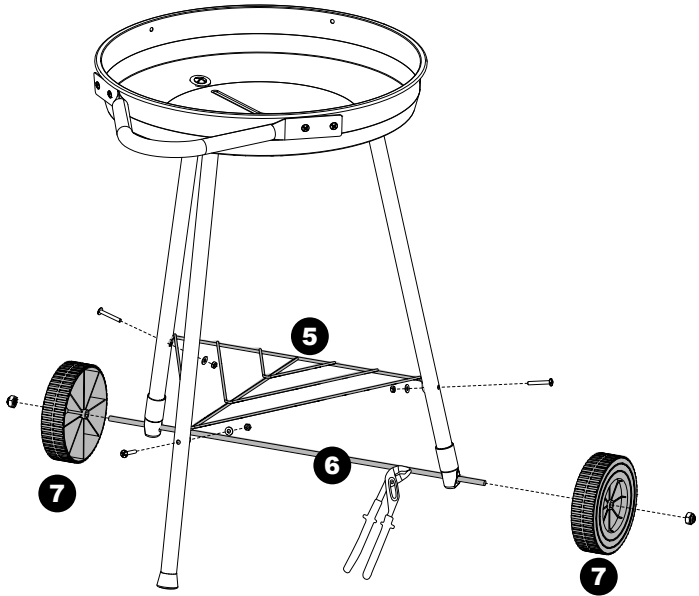
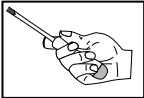
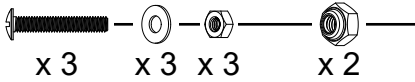


x 3

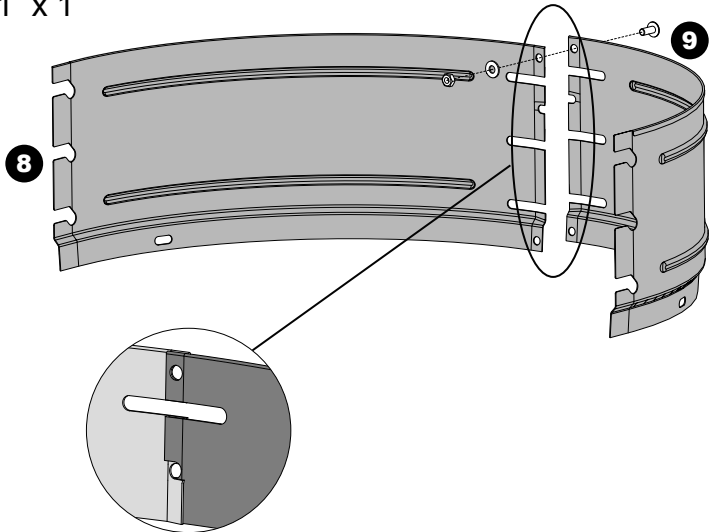
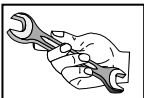
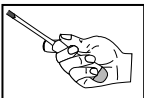
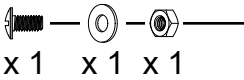


3

$\varnothing 4 \times 25$ $\varnothing 4$ $\varnothing 4$ $\varnothing 6$ Nylstop

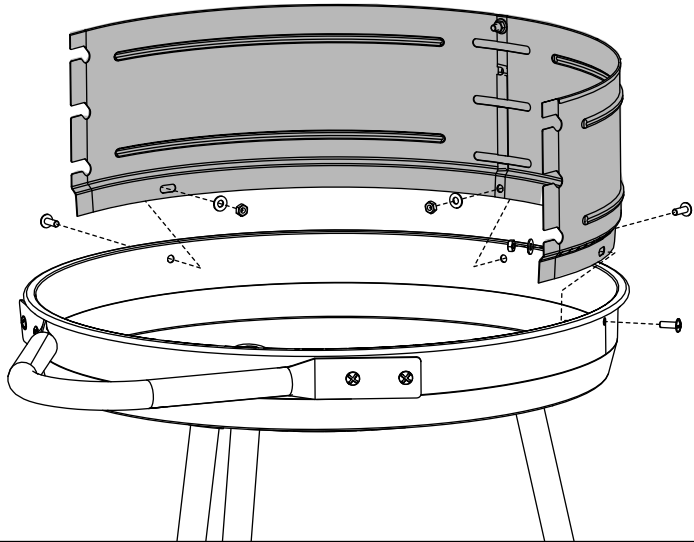
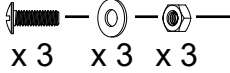
**4**

$\varnothing 4 \times 8$ $\varnothing 4$ $\varnothing 4$



5

Ø4x12 Ø4 Ø4



6

