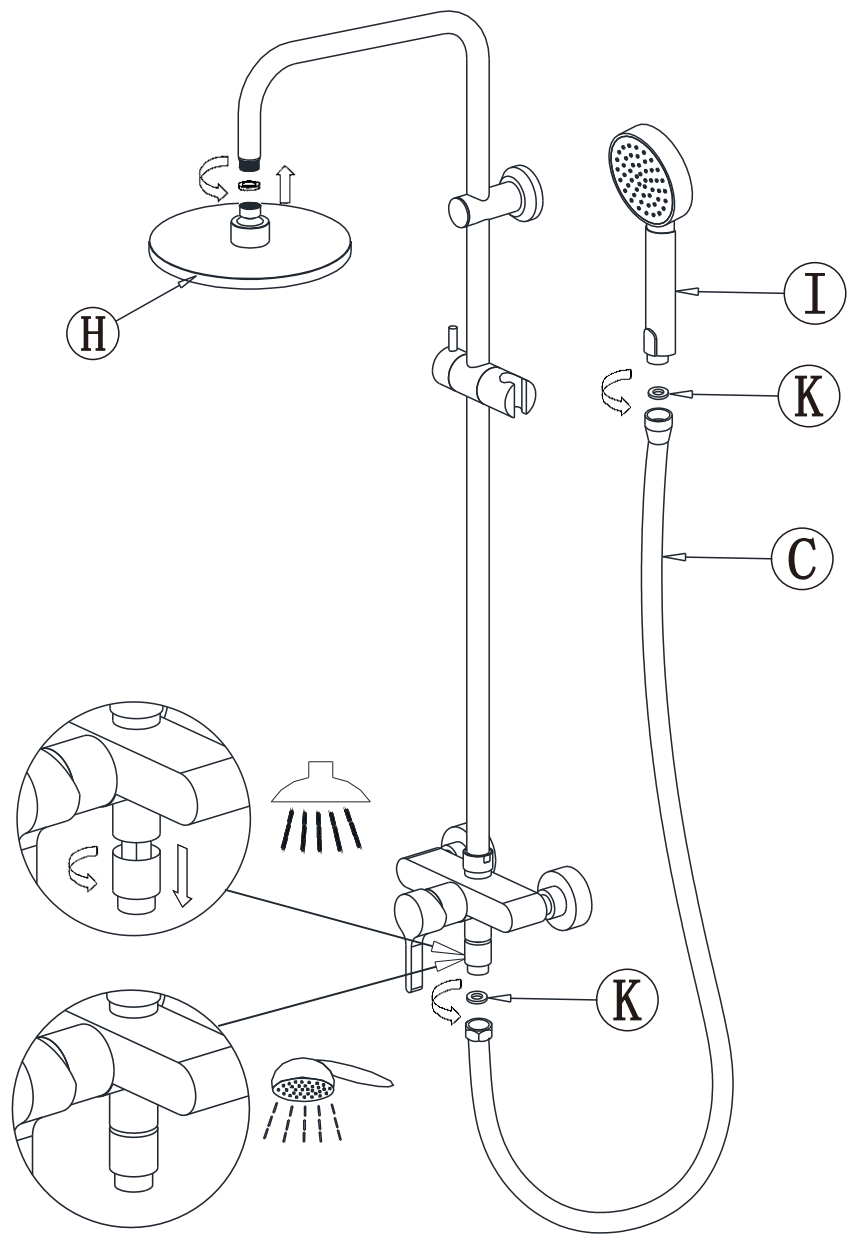
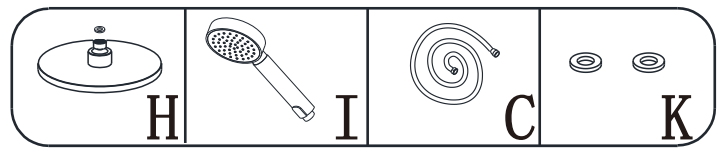
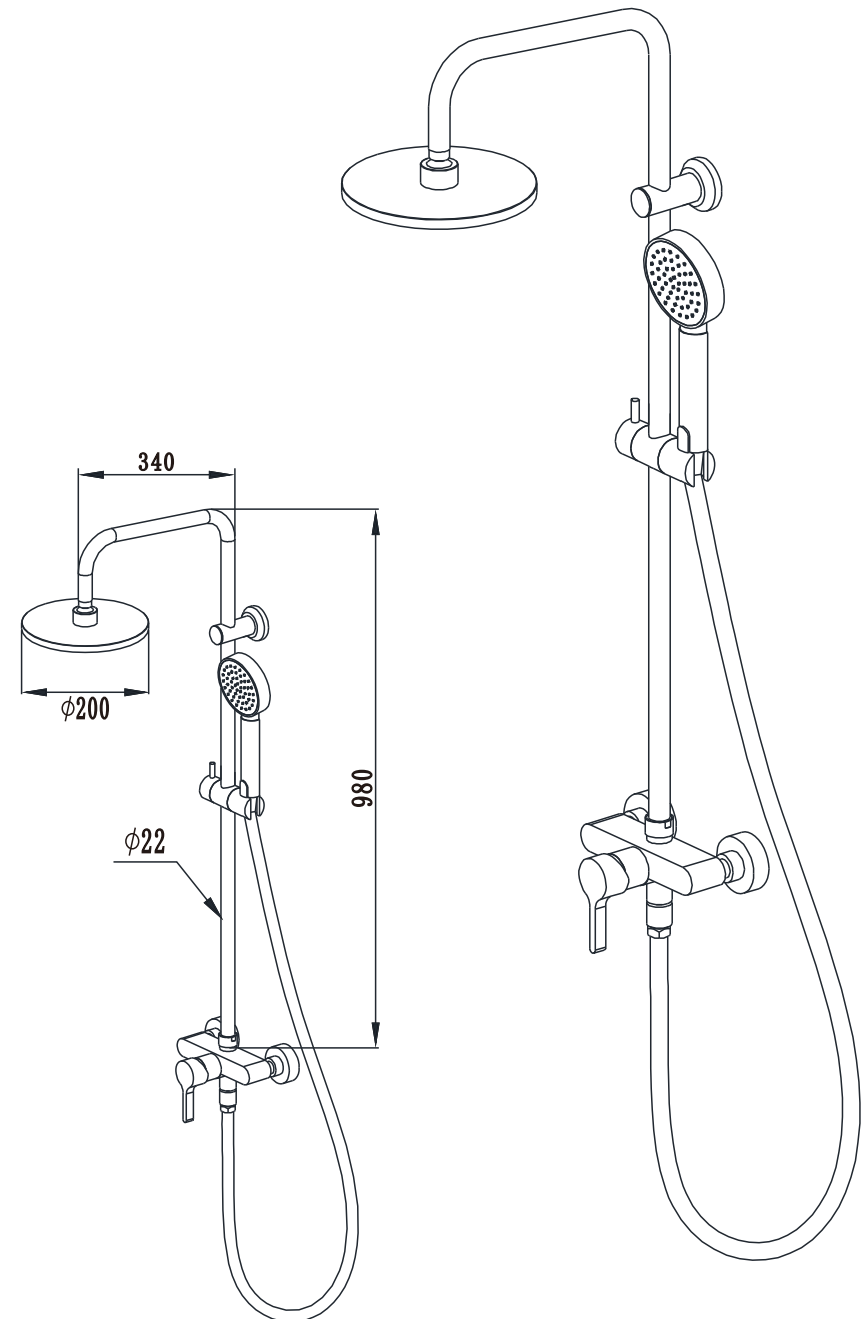
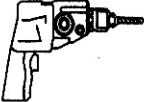



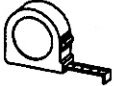
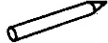
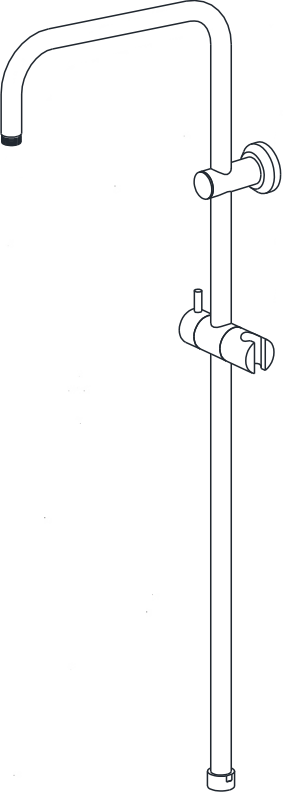
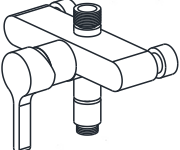



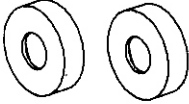









8



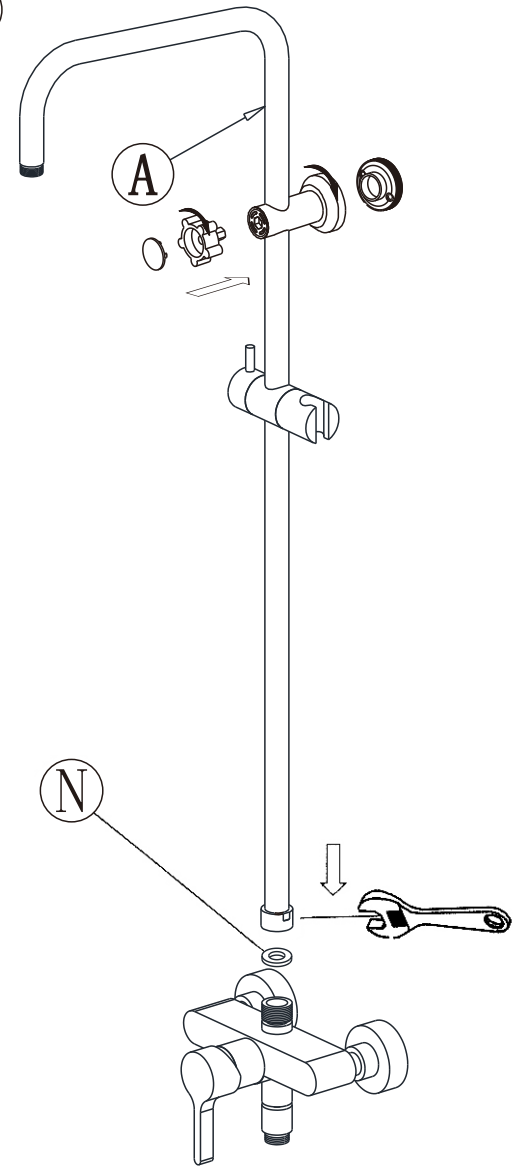
TARGET



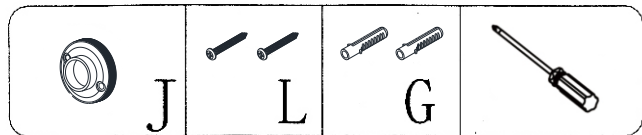
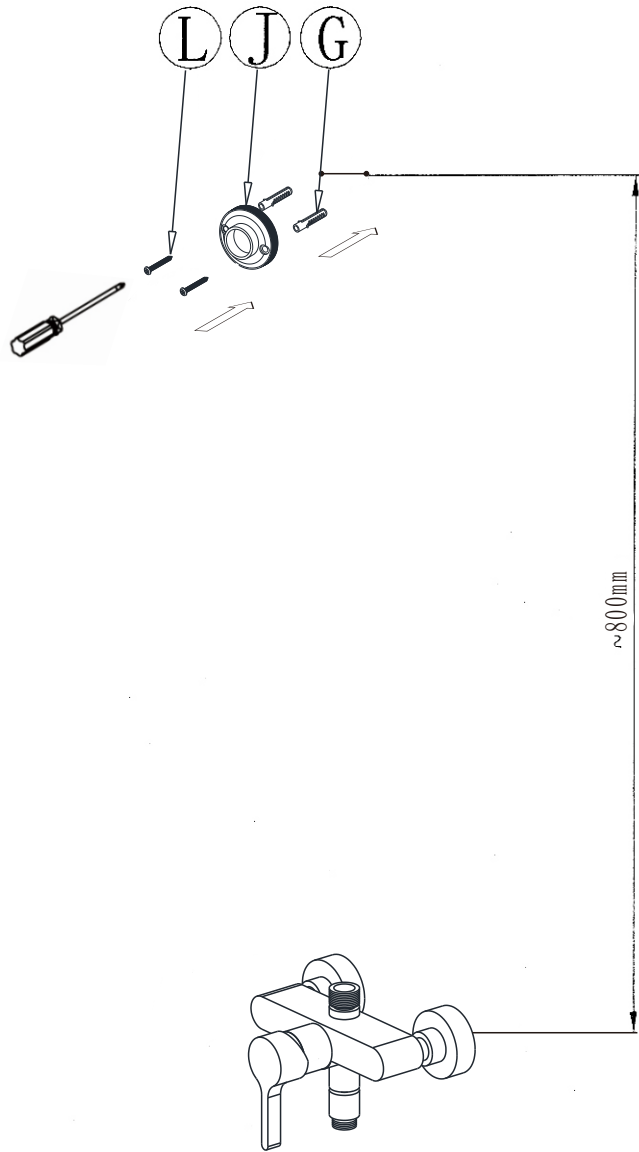
A

7

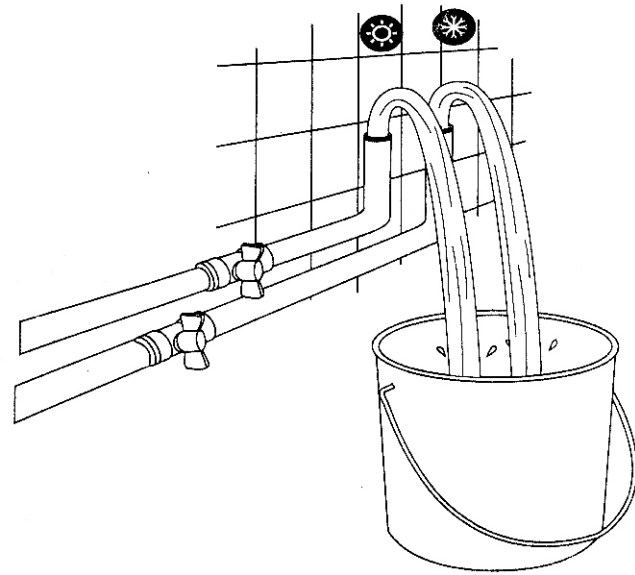


		
A	N	

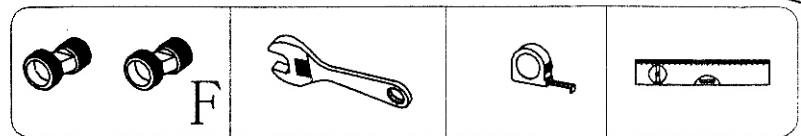
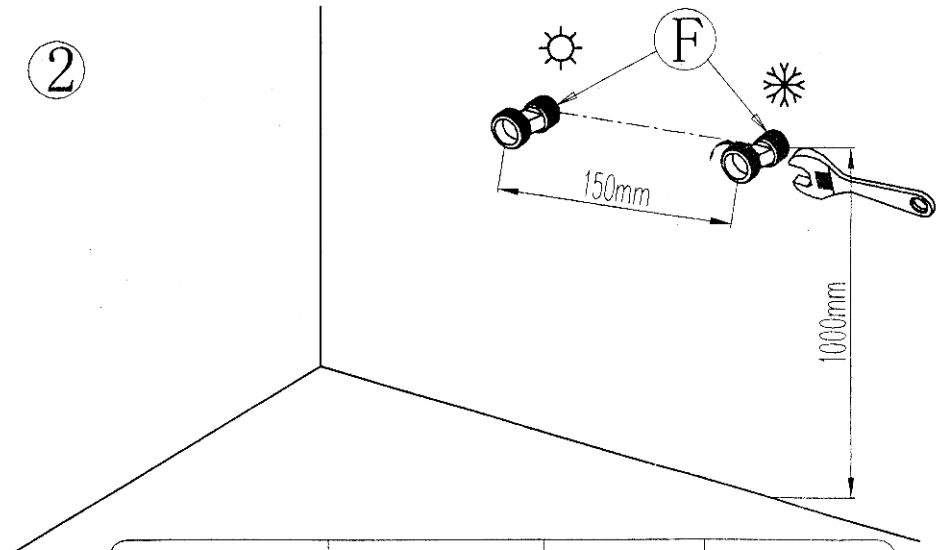
⑥



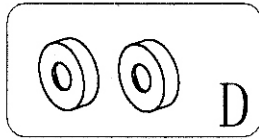
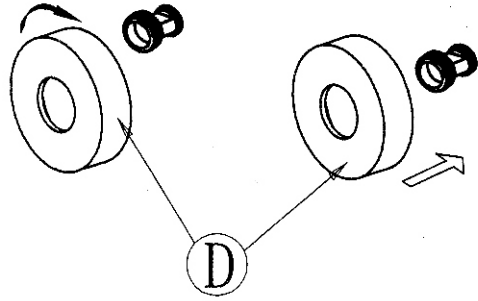
①



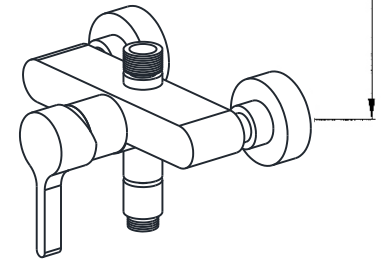
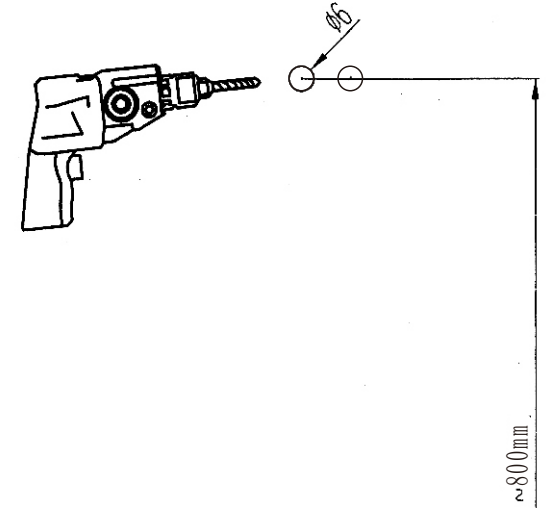
②



3



5



4

