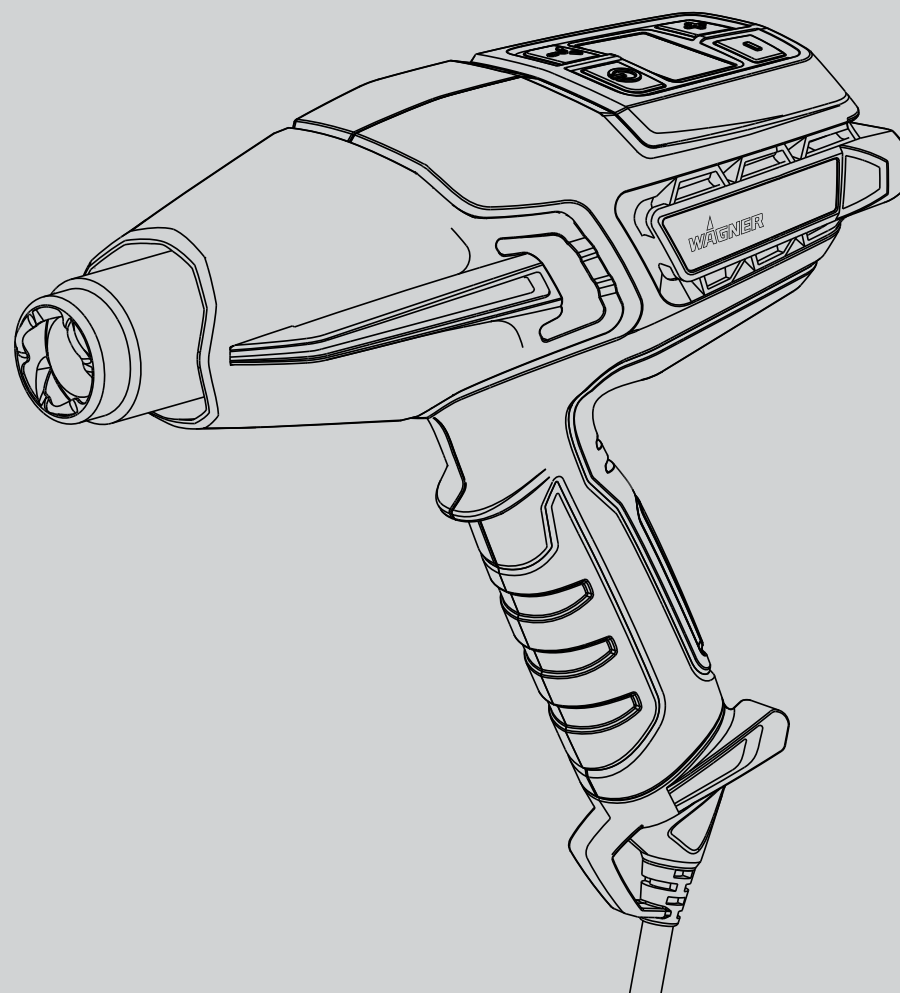


WAGNER

**FURNO HEAT GUN
F500 ELECTRONIC LED
HOT AIR MULTI PURPOSE TOOL
OWNER'S MANUAL**

Model: 2363343

GB DE FR NL IT ES PT DK SE NO



EN

FURNO 500

EN

3 - 14

DE

15 - 26

FR

27 - 39

NL

40 - 52

IT

53 - 64

ES

65 - 77

PT

78 - 90

DA

91 - 102

SV

103 - 114

NO

115 - 126



128



**Important Safety Information • Read all safety information before operating the equipment.
Save these instructions**

To reduce the risks of fire or explosion, electrical shock and the injury to persons, read and understand all instructions included in this manual. Be familiar with the controls and proper usage of the equipment.



Indicates a hazardous situation which, if not avoided, could result in death or serious injury.

HAZARD: POISON

Extreme care should be taken when stripping paint. The peelings, residue and vapours of paint may contain lead, which is poisonous. Any paint applied to homes before 1950 is likely to contain lead. Any paint manufactured before 1977 may contain lead. Once the paint is deposited on surfaces, hand-to-mouth contact can result in the ingestion of lead. Exposure to even low levels of lead can cause irreversible brain and nervous system damage. Young and unborn children are particularly vulnerable to lead poisoning.

Before beginning any paint removal process you should determine whether the paint you are removing contains lead. This can be done by your local health department or by a professional who uses a paint analyser to check the lead content of the paint to be removed. Lead-based paint should only be removed by a professional and should not be removed using a Heat Gun.

PREVENTION:

Move the work piece outdoors, sheltered from rain. If this is not possible, keep the work area well-ventilated. Open the windows and put an exhaust fan in one of them. Be sure the fan is moving the air from inside to outside.

- Remove or cover any carpets, rugs, furniture, clothing, cooking utensils and air ducts.

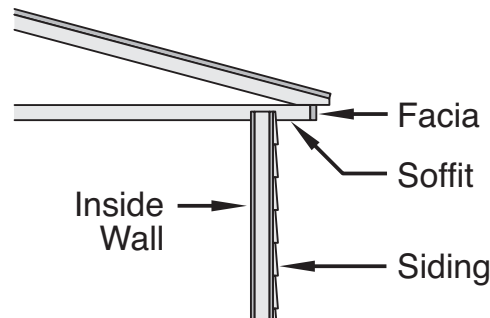
- Place drop cloths in the work area to catch any paint chips or peelings. Wear protective clothing such as extra work shirts, overalls and hats.
- Work in one room at a time. Furnishings should be removed or placed in the centre of the room and covered. Work areas should be sealed off from the rest of the dwelling by sealing doorways with drop cloths.
- Wear an approved dust respirator mask or a dual filter respirator mask for dust and fumes. These masks and replaceable filters are readily available at major hardware stores. Be sure that the mask fits properly. Beards and facial hair may keep masks from sealing properly. Change the filters often. Disposable paper masks are not adequate.
- Use caution when operating the Heat Gun. Keep the Heat Gun moving as excessive heat will generate fumes which can be inhaled by the operator.
- Keep food and drink out of the work area. Wash hands, arms and face and rinse mouth before eating or drinking. Do not smoke or chew gum or tobacco in the work area.
- Clean up all removed paint and dust by wet mopping the floors. Use a wet cloth to clean all walls, sills and any other surface where paint dust is clinging. Do not sweep, dry dust or vacuum. Use a high phosphate detergent of trisodium phosphate (TSP) to wash and mop areas.
- At the end of each work session, put the paint chips and debris in a double plastic bag, close it with tape or twist ties and dispose of properly.
- Remove protective clothing and work shoes in the work area to avoid carrying dust into the rest of the building. Wash work clothes separately. Wipe shoes off with a wet rag and then wash it with the work clothes. Wash hair and body thoroughly with soap and water.

HAZARD: EXPLOSION OR FIRE

This Heat Gun produces extremely high temperatures (as high as 600°C). It must be used with caution to prevent combustible material from igniting.

PREVENTION:

- Keep the Heat Gun in constant motion. Do not stop or dwell in one spot.
- Use extreme caution if the other side of the material being scraped is inaccessible, such as house siding. The hidden side could catch on fire if it becomes too hot. Some buildings contain highly flammable materials behind siding walls, floors, facia, soffit boards and other panels. Check these areas before applying heat and do not use a heat tool if flammable materials are present or if you are unsure of the hidden material.
- Do not use near surfaces with cracks or near metal pipes or flashing. Heat may be conducted behind the work surface and ignite hidden material. The ignition of hidden materials may not be readily apparent and can result in property damage and injury.
- Do not use electric tools in the presence of flammable liquids or gases.
- Do not use near combustible materials such as dry grass, leaves, and paper which can scorch and catch fire.
- The nozzle becomes very hot. Do not lay the Heat Gun on flammable surfaces when operating the gun or immediately after switching the gun off. Always set the gun on a flat, level surface so that the nozzle tip is directed upwards and away from the supporting surface.
- Do not touch the nozzle until the tool has cooled.
- Do not use the Heat Gun as a hair dryer.
- Tools and paint scrapings become very hot. To avoid burns, use work gloves and eye protection when scraping.
- Always treat the Heat Gun with the same respect as an open flame.
- Do not use in presence of an explosive atmosphere.

**HAZARD: ELECTRIC**

May cause property damage, severe injury or loss of life.

PREVENTION:

- Do not disassemble the Heat Gun.
- Do not work in wet areas or expose the Heat Gun to rain or moisture.
- Guard against electric shock by preventing body contact with grounded surfaces such as pipes, radiators, ranges, aluminium ladders or other grounded devices.
- Do not abuse the cordset. Never carry the Heat Gun by the cordset or yank on the cordset to disconnect it from the power supply. Keep the cordset away from heat, oil and sharp edges. Inspect the cordset for wear or damage regularly.
- If an extension cord is damaged or otherwise unsuitable for use, replace it with a new extension cord.

HAZARD: GENERAL

May cause property damage or severe injury.

PREVENTION:

- Always disconnect the Heat Gun from the power supply when not in use. Store indoors in a dry place and out of the reach of unsupervised children.
- Keep your work area well lit and clean.
- Do not overreach, especially when working on ladders. Keep proper footing and balance at all times. Be certain any ladders being used are sturdy, stable, on firm ground and erected at safe working angles.
- Avoid power lines.
- Keep moveable items secured and steady while scraping.
- Always use protective eyewear when working.
- Stay alert and use common sense when operating any tool.
- Never use to thaw frozen pipes located inside walls or near combustibles. Always use reflector nozzle (P/N2366225) to thaw frozen pipes.
- Do not leave the heat gun unattended while it is switched on.
- This appliance can be used by children aged from 8 years and above and persons with reduced physical, sensory or mental capabilities or lack of experience and knowledge if they have been given supervision or instruction concerning use of the appliance in a safe way and understand the hazards involved. Children shall not play with the appliance.

- Keep the appliance and its cord out of reach of children.

MAINS CONNECTION

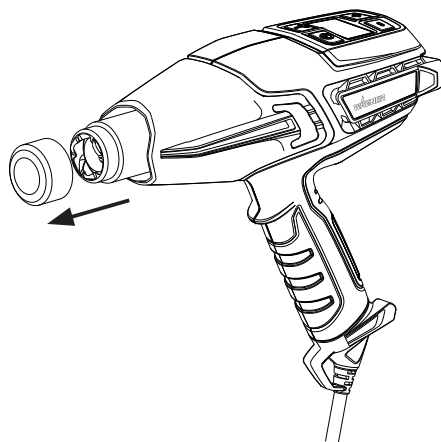
This Heat Gun has been supplied with a cordset. If the cordset is damaged replace with a new cordset to avoid a safety hazard. Please contact Wagner customer services for a replacement cordset.

IF IN ANY DOUBT PLEASE CONSULT A QUALIFIED ELECTRICIAN.

WARNING - Use an extension cord that will accept the plug on the product. Make sure your extension cord is in good condition. When using an extension cord, be sure to use one heavy enough to carry the current your product will draw. An undersized cord will cause a drop in line voltage resulting in loss of power and overheating. A harmonised H05RR-F 3 x 1.0sq mm rubber type cord is required as a minimum for general use.

Protective Cap

WARNING - Remove plastic cap and discard before using your heat gun.



Using the Heat Gun

General Description

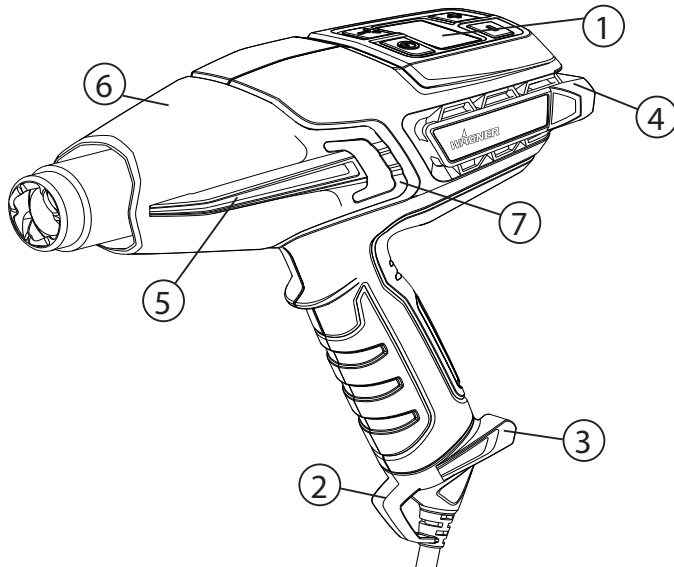
This Heat Gun is a quality power tool. Like any power tool, it can be dangerous when misused. Read the following instructions carefully and follow all safety precautions. It is the responsibility of the owner to use the Heat Gun properly.

Specifications

Housing	Engineered high-impact corrosion and heat-resistant polymers
Wattage	2000 Watts on HIGH, 150 Watts on LOW
Voltage	220 - 240 V a.c.
Frequency	50 - 60Hz
Heat Output	Approximately 600°C on HIGH, approximately 60°C on LOW
Weight	0.9 kg

Features Fig. 1

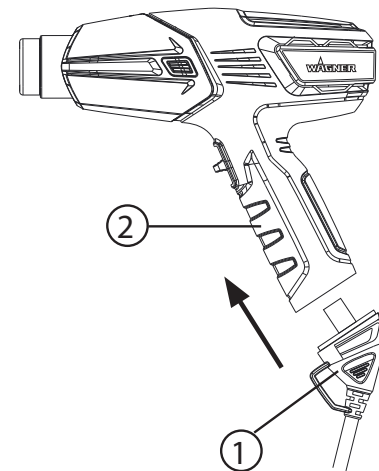
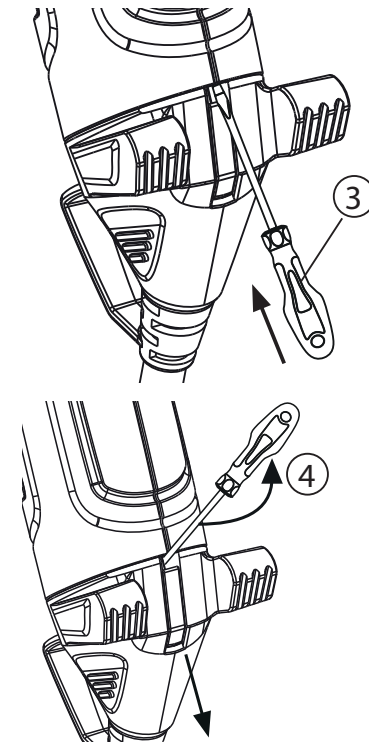
- 1) Control panel - temperature and fan speed
- 2) Hanging hook
- 3) Cordset with integrated stabilizers (removable with tool)
- 4) Rear stabilizer fins (upright standing)
- 5) Side bars to prevent nozzle touching surface
- 6) Nozzle Heat Shield

Fig. 1**Removing the barrel cover**

The barrel cover can be removed when working in hard to reach locations. **BE CAREFUL OF THE NOZZLE.** Increased risk of burning exists when working without the barrel cover. To remove the barrel cover, use a small flat head screw driver to lift tab (Fig. 1, 7) over raised area.

Attaching and Detaching the Cordset

The cordset (Fig. 2, 1) for the Heat Gun is delivered detached from the gun (Fig. 2, 2). To attach, line up the cord with the socket on the handle of the gun and press firmly together until you hear a click. The cord set does not need to be removed. If required to detach, insert a small flat head screwdriver (Fig. 2, 3) or, similar tool into the hole as shown. Firmly push the screwdriver and tilt it upward (4) towards the handle to release the cordset. Firmly pull the cordset away from the gun.

Fig. 2**Attaching****Detaching**

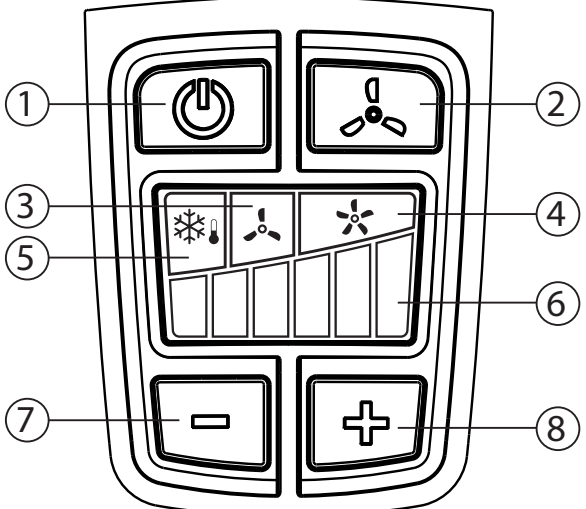
Touch Pad Control Panel

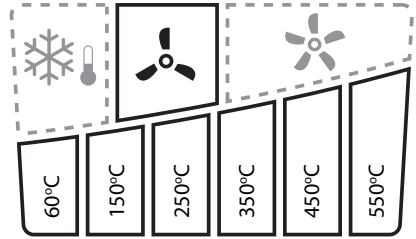
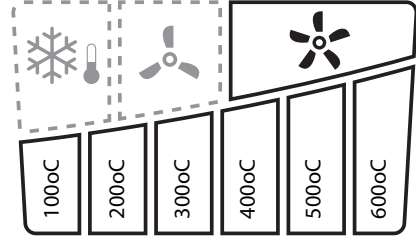
The heat gun gives you a wide temperature range to choose from, depending upon the type of project. Temperature can be adjusted via the Control Panel.

Temperature Guide LED display

Description Fig. 3	
1) Power button: Turns the heat gun ON and OFF or switches to cool down mode	2) Mode selector: Sets the temperature range and air flow speed you are using
3) Mode indicator: Low air flow / low temperature range (See Fig. 4, a)	4) Mode indicator: High air flow / high temperature range (See Fig. 4, b)
5) Mode indicator: Cool down	6) Temperature indicator: Shows the current heat output setting (see Fig. 4)
7) Temperature selector: Decreases temperature (-)	8) Temperature selector: Increases temperature (+)

Fig. 3

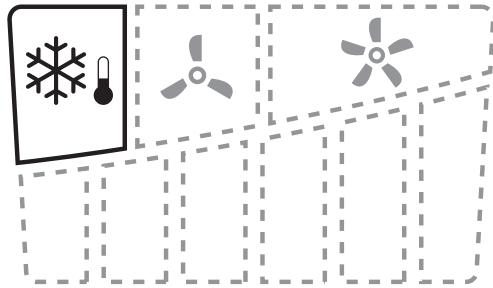


Description Fig. 4a & 4b	
Air flow mode: LOW Temperature range: 60°C - 550°C Cycle temperatures: See Fig. 3, (7 & 8) _____ = Illuminated - - - - - = not illuminated	Air flow mode: HIGH Temperature range: 100°C - 600°C Cycle temperatures: See Fig. 3, (7 & 8) _____ = Illuminated - - - - - = not illuminated
Fig. 4a	Fig. 4b
	

Cool Down Mode

During rest periods or when you are finished with your project, press the power button to enter cool down mode (Fig. 5). The blue cool down indicator light will turn on and the gun will continue to run with the element disabled, for cooling.

Fig. 5



Start Up



Always read the safety information included in this manual before using the Heat Gun.

1. Plug the Heat Gun into a standard socket-outlet.
2. Turn on the heat gun by pressing the power button on the Control Panel (Fig. 3, 1). When the gun is turned on, it is automatically set in the low temperature range (Fig. 4, a) at 60°C and a low air flow setting.
3. If you wish to continue working within the low temperature range, simply press the plus or minus button on the touch pad until your desired temperature setting is selected, this will be indicated by the temperature bar being lit.
4. If you wish to operate within the high temperature range and high air flow setting, press the Mode selector button (Fig. 3, 2) once. The high temperature range indicator light will turn on. You can now simply press the plus or minus button on the control panel until you reach your desired temperature setting, this will be indicated by the temperature bar being lit.

IMPORTANT: If the blower motor in the heat gun does not turn on when the POWER button is activated, turn the switch OFF immediately. The heating element will burn out if it is not cooled by the blower.

5. During rest periods or when you are finished with your project, press the power button to enter cool down mode (Fig. 5). The blue cool down indicator light will turn on and the gun will

continue to run with the element disabled, for cooling.

6. Set the gun down in an upright position. The heat gun will shut itself off after 3 minutes.
7. To override cool down mode press and hold the power button for 2 to 3 seconds. The gun will power off immediately.



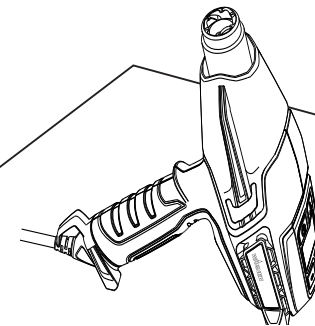
Following Cool down mode the barrel of the gun will still be hot.

Note: Smoke may appear during the first start up due to the burning of manufacturing oils. The smoke should disperse shortly after first start up.

Hands-free operation Fig. 6

The Heat Gun has an integrated stand (Fig. 1, 4) for bench top applications and for cooling down. Alternatively the optional heat gun carry case (Fig. 7) has been specifically designed to locate the heat gun in the upright position for work on uneven surfaces.

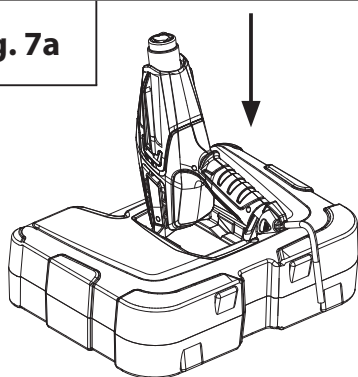
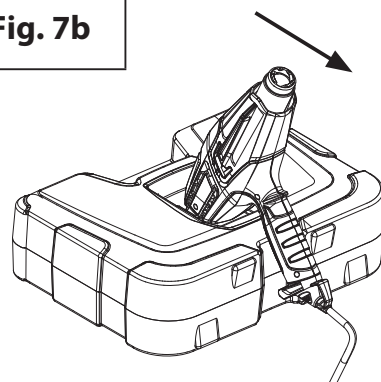
Fig. 6



AngleLoc (carry case)* Fig. 7a & 7b

A: Insert the back of the heat gun so that the rear stabilizing fins locate themselves below the ridges on the side wall of the cavity in the top of the carry case.

B: Then slide the heat gun forward so that it naturally locks into place at a 135 degree angle. The heat gun should now be secure for upright use.

Fig. 7a**Fig. 7b**

IMPORTANT: Always protect glass when working near windows.



Do not touch nozzle or any other tool being used when working. These become extremely hot and will cause severe burns. Wear gloves to protect hands from hot scrapings.

Many variables affect heating applications, such as the material being heated, ambient temperature, the distance from the gun to the substrate and the heating technique. For this reason Wagner has provided temperature guidelines for certain applications. Always start the heat gun at the lowest temperature in the range then raise the temperature until the optimum temperature is achieved. Always keep the heat gun in motion and at least 5cm from the substrate when applying heat.

*AngleLoc carry case can be purchased separately. See page 13

IMPORTANT: If the motor-driven fan in the Heat Gun does not turn on when the switch is set to either LOW or HIGH, turn the switch OFF immediately. The heating element will burn out if it is not cooled by the motor-driven fan.

Note: Always set the Heat Gun upright after it is turned off, either for a short break or for storage. Avoid laying the unit on the side after shutdown. The heat will remain in the unit and cooling will take longer. Store the unit only after the nozzle is cool. Unplug the unit before storing to prevent accidental start-up.

The F500 Heat Gun is one of the most versatile tools you can own. It can be used for a great variety of projects, from big DIY to small Art & Crafts jobs. For more details on multiple projects and 'how to' videos please visit our website www.wagner-group.com.

Use		Heat	Nozzle Tip Options
DIY	Stripping paint	HIGH	Concentrator or Wide
	Wall repair	LOW	Open (no tip)
	Drying paint	LOW	Open (no tip)
	Soften adhesives to remove floor tiles	LOW	Wide concentrator
	Bend plastic, plexiglass, formica	LOW/HIGH	Reflector Nozzle
	Removing formica and linoleum	LOW	Wide concentrator
	Soften paint, caulking and putty for easier removal	HIGH	Concentrator or Wide concentrator
	Removing varnish	LOW-MED	Wide concentrator
	Shrink plastic film for wrapping or weatherproofing	LOW	Wide concentrator
Small jobs (including repair)	Loosen rusted nuts, bolts and fittings	HIGH	Open/ Concentrator
	Repairing jeans	LOW	Wide concentrator
	Burning weeds	HIGH	Concentrator
	Removing adhesives	LOW	Open (no tip)
	Waxing skis/snowboard	LOW	Wide concentrator
	Glass fibre work	HIGH	Concentrator or Wide

Use		Heat	Nozzle Tip Options
	Unfreezing pipes and locks	LOW	Reflector nozzle
	Lighting a bbq grill	HIGH	Concentrator / BBQ Nozzle
	Heat shrink tubing/ connectors	LOW-MED	Reflector nozzle
	Heat concrete prior to patching	LOW/HIGH	Concentrator
	Defrosting refrigerator / freezer	LOW	Open (no tip)
	Art & Crafts	Making candles	LOW
Making soap		LOW	Open (no tip)
Shrink wrapping presents		LOW	Open (no tip)
Forming foam		LOW	Open (no tip)
Cookie decoration		LOW/HIGH	Open (no tip)
Automotive	Removing stickers, emblems and decals	LOW	Open (no tip)
	Removing dents	HIGH	Open (no tip)
	Removing paint	HIGH	Concentrator or Wide
	Applying and removing window tint	LOW	Open (no tip)
	Restoring bumpers	HIGH	Open (no tip)
Electronics	Smartphone & tablet repair	LOW	Concentrator
	PlayStation and Xbox repair	LOW	Concentrator

Stripping Paint

The Heat Gun heats up the surface and causes the paint to soften, at which time it can be scraped off easily without damaging the surface. Some paints may soften even though they do not blister; some may become rubbery, and some may require higher heat.

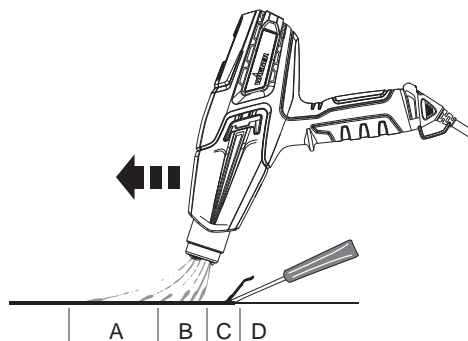
When working with several layers of paint, it speeds up the scraping process to heat the surface thoroughly, all the way to the wood., then all the layers can be scraped at one time.

A soft wire brush may be the best tool to use for very intricate surfaces. Mineral paints and finishes, such as cement paint and porcelain, do not soften with heat, so using a heating tool will not work for paint removal.

The best method of paint removal

Move the Heat Gun slowly and steadily forward at an angle to the surface, pointing the nozzle in the direction of motion. This allows you to scrape safely outside the hot air stream and keeps the scraper and the scraped surface cooler.

- A. Warm air preheats the surface.
- B. Paint is softened by hot air.
- A + B. Deep penetration of heat over total area.
- C. Paint can be easily scraped off as soon as it is softened and the gun is moved forward.
- D. Stripped surface allowed to cool.



Note: Do not use the Heat Gun on surfaces that can be damaged by heat, such as vinyl-coated panelling, vinyl-coated siding or vinyl-coated window frames.

When removing paint from window frames, the Heat Gun will soften the putty. Be careful not to gouge the putty with the scraper. The putty will firm up after it cools.

Do not use the Heat Gun on insulating laminated window glass such as Thermopane. The glass edge expansion may break the edge seal.

When scraping fascia, do not overheat the edges of the asphalt shingles protruding over the edge of the sheathing. Too much heat will melt the asphalt.

IMPORTANT: The removal of paint by a Heat Gun is safe if the above guidelines are used, but always keep either a container of water or an ABC fire extinguisher (suitable against Class A, B and C type fires) within reach.

Cleaning and Maintenance

Keep the intake openings on the housing clean and free of obstructions. Use a soft, dry brush to clean the openings periodically. Use only mild soap and a damp cloth to clean the Heat Gun. Many household cleaners contain chemicals which could seriously damage the housing.

Do not use petroleum, turpentine, lacquer or paint thinner, dry cleaning fluids or similar products when cleaning the Heat Gun.

NEVER allow any liquid to get inside the tool or immerse any part of the tool into a liquid.

Cleaning and user maintenance shall not be made by children.

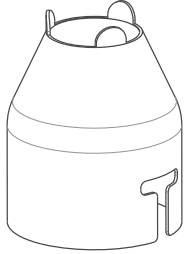
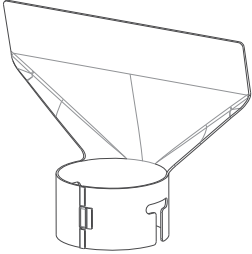
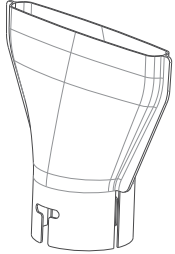
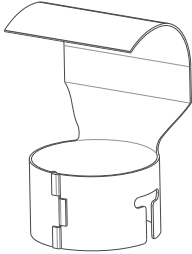
Storage

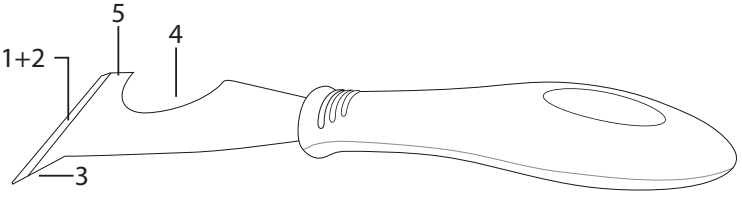
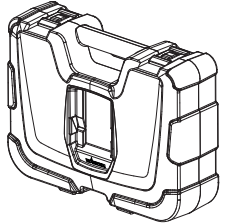
Allow the Heat Gun nozzle to cool to room temperature before placing in storage.

The nozzle will turn dark over time because of the high heat. This is normal and will not affect the performance or life of the unit.

Accessories

The following accessories may come with the Heat Gun or may be purchased separately by visiting www.wagner-group.com/service. Alternatively see back of manual for your nearest Service Centre.

Name	Description	Name	Description
Concentrator Nozzle P/N2366222 	Directs a concentrated heat flow to the work surface. Ideal for removing paint in awkward corners, crevices, mouldings, beading or architraves.	Glass Protection Nozzle P/N2366224 	Deflects the heat away from glass or other fragile areas. Ideal for window sills, ledges, frames and skirting boards.
Wide Concentrator Nozzle P/N2366223 	Directs a long, narrow heat pattern to the work surface. Ideal for removing paint or varnish from large, flat surfaces such as skirting boards, doors, stairs, etc. It should be used in conjunction with a flat scraper.	Reflector Nozzle P/N2366225 	Disperses the heat flow evenly around the whole work surface. Ideal for thawing frozen pipes, solder pipe work, bending plastics or heat shrinking electrical insulating tubing.

Name	Description
 <p>5-in-1 Detailed Scraper Tool P/N2366227</p>	<p>This tool has 5 functions. The blade is used to (1) scrape paint and (2) spread compound. The gouge point (3) is used to remove putty/caulk from open cracks. The curved area (4) is used to clean roller covers. The flat side (5) can be used to open paint tins.</p>
 <p>Carry Case P/N2366226</p>	<p>The heat gun carry case with AngleLoc has been specifically designed to locate the heat gun in the upright position for work on uneven surfaces.</p>

IMPORTANT: Always use gloves when handling the Heat Gun.

To attach an optional item to the Heat Gun:

1. Set the Heat Gun upright on a level surface and wait until the tip is cool.
2. Set the item onto the tip of the Heat Gun and push firmly into place by hand.

To remove an optional item from the Heat Gun:

1. Set the Heat Gun upright on a level surface and wait until the tip is cool.
2. Pull the item off the tip.

Product Registration

Register your product online at www.wagner-group.com/3plus1 to qualify for your additional 1 year guarantee.

3+1 years guarantee

The guarantee runs for three years, counting from the date of sale (sales slip). The guarantee is extended by a further 12 months if the device is registered online within 4 weeks of the purchase at www.wagner-group.com/3plus1. Registration is only possible if the buyer is in agreement with the data being stored that is entered during registration. The guarantee covers and is restricted to free-of-charge rectification of faults which are demonstrably attributable to the use of faulty materials in manufacture, or assembly errors; or free-of-charge replacement of the defective parts. The guarantee does not cover incorrect use or commissioning or fitting or repair work which is not stated in our operating instructions. Wearing parts are also excluded from the guarantee. The guarantee excludes commercial use. We expressly reserve the right to fulfil the guarantee. The guarantee expires if the tool is opened up by persons other than wagner service personnel. Transport damage, maintenance work and loss and damage due to faulty maintenance work are not covered by the guarantee. Under any guarantee claim, there must be proof of purchase of the tool through submission of the original receipt. Wherever legally possible, we exclude all liability for injury, damage or consequential loss, especially if the tool has been used for a purpose other than that stated in the operating instructions, commissioned or repaired other than in accordance with our operating instructions or if repairs are performed by someone who is unqualified. We reserve the right to perform any repairs in excess of those stated in our operating instructions. In case of guarantee or repair, please refer to your point of sale. This guarantee does not affect your statutory rights.

INFORMATION ON THE DISPOSAL OF WASTE ELECTRICAL AND ELECTRONIC EQUIPMENT KNOWN AS WEEE



The device and all accessories and packaging have to be recycled in an environmentally friendly manner. Do not dispose of the appliance with household waste. Support environmental protection by taking the appliance to a local collection point or obtain information from a specialist retailer.

EU Declaration of conformity

We declare under sole responsibility that this product conforms to the following relevant stipulations:

2014/35/EU, 2014/30/EU, 2011/65/EU, 2012/19/EU

Applied harmonised norms:

EN 60335-1, EN 60335-2-45, EN 55014-1, EN 55014-2,
EN 61000-3-2, EN 61000-3-3, EN 62233

The EU declaration of conformity is enclosed with the product. If required, it can be re-ordered using order number **2389336**.



Wichtige Sicherheitsinformationen • Lesen Sie alle Sicherheitsinformationen vor dem Betreiben des Gerätes. Speichern Sie diese Anweisungen

Zur Verringerung der Brand- oder Explosionsgefährdung, der Gefahr von elektrischen Schlägen und der Verletzung von Personen sind alle in dieser Betriebsanleitung angeführten Hinweise zu lesen und zu verstehen. Machen Sie sich mit der Steuerung und dem richtigen Einsatz des Gerätes vertraut.



Bezeichnet eine gefährliche Situation die, wenn sie nicht vermieden wird, zum Tod oder schweren Verletzungen führen kann.

GEFAHR: GIFT

Die Ablösung von Farbe sollte nur mit äußerster Vorsicht erfolgen. Die Reste, Rückstände und Dämpfe von Farben können giftiges Blei enthalten. Alle Farben, die vor 1950 auf Gebäude aufgetragen wurden, sind wahrscheinlich bleihaltig. Jede vor 1977 hergestellte Farbe kann Blei enthalten. Wenn die Farbe auf Oberflächen abgeschieden ist, kann die Berührung der Hände mit dem Mund zur Aufnahme von Blei führen. Selbst niedrige Dosen an Blei können zu irreversiblen Schädigungen des Gehirns und Nervensystems führen. Junge und ungeborene Kinder sind besonders anfällig für eine Bleivergiftung.

Bevor Sie mit irgendeiner Ablösung von Farbe beginnen, sollten Sie feststellen, ob die zu entfernende Farbe bleihaltig ist. Dies kann durch Ihr Gesundheitsamt vor Ort oder durch einen Fachmann erfolgen, der zur Überprüfung des Bleigehaltes der zu entfernenden Farbe ein Farbanalysegerät verwendet. Bleihaltige Farben sollten nur durch einen Fachmann und nicht unter Verwendung einer Heißluftpistole entfernt werden.

VORBEUGUNG:

Bringen Sie das Arbeitsstück in einen regengeschützten Außenbereich. Ist dies nicht möglich, sorgen Sie für eine gute Durchlüftung des Arbeitsbereiches. Öffnen Sie die Fenster und positionieren Sie einen Abluftventilator in eines der Fenster. Stellen Sie sicher, dass der Ventilator die Luft von innen nach außen befördert.

- Entfernen oder bedecken Sie sämtliche Teppiche, Vorleger, Möbel, Kleider, Küchenutensilien und Luftschächte.

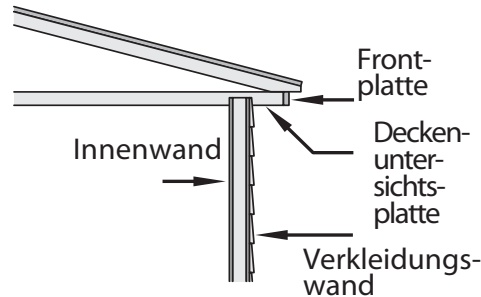
- Bringen Sie Abdeckplanen im Arbeitsbereich an, um jegliche Farbnasen oder -abblätterungen aufzufangen. Tragen Sie Schutzbekleidung wie z.B. extra Arbeitshemden, Overalls und Kopfbedeckungen.
- Arbeiten Sie jeweils nur in einem Raum. Möbel sollten fortgeräumt oder in die Mitte des Raums gestellt und abgedeckt werden. Die Arbeitsbereiche sollten vom Rest der Wohnstätte abgeschottet werden, indem die Türdurchgänge mit Abdeckplanen abgedichtet werden.
- Tragen Sie eine zugelassene Staubatemschutzmaske oder eine Dualfilter-Atemschutzmaske für Staub und Dämpfe. Diese Masken und die austauschbaren Filter sind jederzeit bei größeren Baumärkten erhältlich. Stellen Sie sicher, dass die Maske richtig sitzt. Bärte und Gesichtshaar können verhindern, dass die Masken richtig abdichten. Wechseln Sie die Filter häufig. Einweg-Papiermasken eignen sich nicht.
- Lassen Sie bei Arbeiten mit der Heißluftpistole Vorsicht walten. Halten Sie die Heißluftpistole in Bewegung, da überschüssige Wärme Dämpfe erzeugt, die vom Anwender eingeatmet werden können.
- Halten Sie Lebensmittel und Getränke vom Arbeitsbereich fern. Waschen Sie die Hände, Arme und das Gesicht und spülen Sie den Mund, bevor Sie essen und trinken. Rauchen Sie im Arbeitsbereich nicht und kauen Sie keinen Kaugummi oder Tabak.
- Nehmen Sie die entfernte Farbe und den Staub durch Nasswischen der Böden auf. Benutzen Sie einen feuchten Lappen, um sämtliche Wände, Fensterbänke und alle anderen Oberflächen zu säubern, an denen Farbe anhaftet. Wenden Sie kein Ausfegen, Staubtrocknen oder Absaugen an. Verwenden Sie ein hoch phosphathaltiges Reinigungsmittel wie Trinatriumphosphat (TSP), um Bereiche abzuwaschen und zu scheuern.
- Geben Sie am Ende jeder Arbeitssitzung die Farbnasen und den Schmutz in einen Doppelplastikbeutel, verschließen Sie ihn mit Klebeband oder Knoten und entsorgen Sie ihn fachgerecht.
- Entfernen Sie die Schutzkleidung und die Arbeitsschuhe aus dem Arbeitsbereich, um zu vermeiden, dass Staub in das restliche Gebäude gelangt. Waschen Sie die Arbeitskleidung getrennt. Wischen Sie die Schuhe mit einem nassen Lappen ab und waschen sie ihn danach zusammen mit der Arbeitskleidung. Waschen Sie Ihre Haare und den Körper gründlich mit Seife und Wasser.

GEFAHR: EXPLOSION ODER FEUER

Diese Heißluftpistole erzeugt extrem hohe Temperaturen (bis zu 600 °C). Sie muss mit Vorsicht verwendet werden, um ein Entzünden von brennbarem Material zu vermeiden.

VORBEUGUNG:

- Halten Sie die Heißluftpistole in stetiger Bewegung. Halten oder verweilen Sie nicht an einer Stelle.
- Lassen Sie äußerste Vorsicht walten, wenn die andere Seite des abzutragenden Materials unzugänglich ist, wie bei der Außenverkleidung von Häusern. Die verborgene Innenseite könnte Feuer fangen, wenn sie zu heiß wird. Einige Gebäude verfügen hinter Verkleidungswänden, Böden, Frontplatten, Deckenuntersichtsplatten und andere Paneele über brennbare Materialien. Überprüfen Sie diese Bereiche vor der Zufuhr von Wärme und benutzen Sie kein Heißluftgerät, wenn brennbare Materialien vorhanden sind oder wenn Sie sich über das verborgene Material im Unklaren sind.
- Benutzen Sie das Gerät nicht in der Nähe von Flächen mit Sprüngen oder bei Metallrohren oder Abdeckplatten. Die Hitze kann hinter die Arbeitsoberfläche geleitet werden und das verborgene Material entzünden. Das Entzünden verborgener Materialien kann nicht unmittelbar ersichtlich sein und zu Sach- und Personenschäden führen.
- Verwenden Sie keine Elektrowerkzeuge bei entflammaren Flüssigkeiten oder Gasen.
- Benutzen Sie die Geräte nicht in der Nähe von brennbaren Materialien wie z.B. trockenes Gras, Blätter und Papier, die versengen und Feuer fangen können.
- Die Düse wird sehr heiß. Legen Sie die Heißluftpistole während des Betriebs oder unmittelbar nach Ausschalten der Pistole nicht auf brennbaren Oberflächen ab. Stellen Sie die Pistole immer auf einer flachen ebenen Oberfläche auf, damit die Düsen spitze nach oben und weg von der Oberfläche weist.
- Berühren Sie die Düse so lange nicht, bis das Gerät abgekühlt ist.
- Verwenden Sie die Heißluftpistole nicht als Haartrockner.



- Die Werkzeuge und Farbabtragungen werden sehr heiß. Zur Vermeidung von Verbrennungen benutzen Sie beim Abtragen Arbeitshandschuhe und einen Augenschutz.
- Behandeln Sie die Heißluftpistole stets mit dem selben Respekt wie dem, den Sie vor einer offenen Flamme haben.
- Nicht in Gegenwart einer explosionsfähigen Atmosphäre verwenden.

GEFAHR: ELEKTRIK

Kann zu erheblichen Sachschäden, schweren Verletzungen oder zum Tod führen.

VORBEUGUNG:

- Bauen Sie die Heißluftpistole nicht auseinander.
- Arbeiten Sie nicht in Feuchtbereichen und setzen Sie die Heißluftpistole nicht Regen oder Feuchtigkeit aus.
- Schützen Sie sich vor elektrischen Schlägen, indem Sie den Körperkontakt mit geerdeten Oberflächen wie z.B. Rohren, Heizungen, Herden, Aluminiumleitern oder anderen geerdeten Geräten vermeiden.
- Gebrauchen Sie den Kabelsatz nicht unsachgemäß. Tragen Sie die Heißluftpistole niemals am Kabelsatz oder reißen Sie am Kabelsatz, um ihn von der Stromversorgung zu trennen. Halten Sie den Kabelsatz von Hitze, Öl und scharfen Kanten entfernt. Untersuchen Sie den Kabelsatz regelmäßig auf Verschleiß und Beschädigungen.
- Wenn ein Verlängerungskabel beschädigt oder anderweitig für den Gebrauch ungeeignet wird, ersetzen sie dieses durch ein neues Verlängerungskabel.

GEFAHR: ALLGEMEINES

Kann zu erheblichen Sachschäden oder schweren Verletzungen führen.

VORBEUGUNG:

- Trennen Sie die Heißluftpistole bei Nichtverwendung immer vom Stromnetz. Lagern Sie diese drinnen an einem trockenen Ort, der für unbeaufsichtigte Kinder nicht erreichbar ist.
- Halten Sie Ihren Arbeitsbereich gut ausgeleuchtet und sauber.
- Übernehmen Sie sich nicht, insbesondere bei der Arbeit auf Leitern. Achten Sie stets auf sicheren Stand und gute Balance. Überzeugen Sie sich, dass alle verwendeten Leitern robust und stabil sind, auf festem Grund stehen und mit sicheren Arbeitswinkeln aufgerichtet sind.
- Umgehen Sie Stromleitungen.
- Halten Sie beim Abtragen bewegliche Gegenstände gesichert und stabil.

- Verwenden Sie bei der Arbeit immer einen Augenschutz.
- Seien Sie beim Betrieb jedes Werkzeugs achtsam und gebrauchen Sie Ihren gesunden Menschenverstand.
- Verwenden Sie das Gerät nie zum Auftauen eingefrorener Rohre, die sich innerhalb von Wänden oder in der Nähe von Brennstoffen befinden. Verwenden Sie stets die Reflektordüse (P/N2366225) zum Auftauen eingefrorener Rohre.
- Lassen Sie die Heißluftpistole nicht unbeaufsichtigt, wenn sie eingeschaltet ist.
- Dieses Gerät eignet sich für die Verwendung von Kindern ab 8 Jahren sowie von Personen mit eingeschränkten körperlichen, sensorischen oder geistigen Fähigkeiten oder die nicht über ausreichende Erfahrung und Kenntnisse verfügen, wenn sie eine Überwachung oder Einführung im sicheren Umgang mit dem Gerät erhalten und sie die damit verbundenen Risiken verstehen. Kinder dürfen mit dem Gerät nicht spielen.
- Halten Sie das Gerät und das Kabel außerhalb der Reichweite von Kindern.

STROMANSCHLUSS

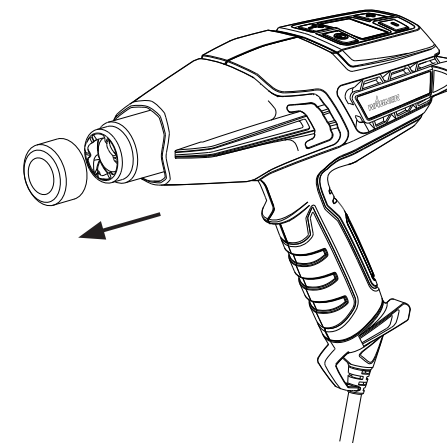
Diese Heißluftpistole ist mit einem Kabelsatz ausgeliefert worden. Sollte der Kabelsatz beschädigt sein, ersetzen sie ihn durch einen neuen Kabelsatz, um Gefahren zu vermeiden. Kontaktieren Sie bitte den Kundendienst von Wagner für einen Austausch-Kabelsatz.

BESTEHEN ZWEIFEL JEDER ART, WENDEN SIE SICH AN EINEN FACHELEKTRIKER.

WARNUNG - Verwenden Sie ein Verlängerungskabel, das den Stecker an dem Produkt aufnimmt. Vergewissern Sie sich, dass Ihr Verlängerungskabel in gutem Zustand ist. Bei Verwendung eines Verlängerungskabels stellen Sie sicher, dass es stark genug ausfällt, um den Strom zu leiten, den Ihr Produkt aufnimmt. Ein unterdimensioniertes Kabel verursacht einen Abfall der Netzspannung, was zu Leistungsverlust und Überhitzung führt. Ein abgestimmtes H05RR-F 3 x 1,0 mm² Gummikabel ist als Mindestanforderung zum allgemeinen Gebrauch notwendig.

Schutzkappe

WARNUNG - Entfernen Sie vor Verwendung Ihrer Heißluftpistole die Plastikcappe und entsorgen Sie diese.



Verwendung der Heißluftpistole

Allgemeine Beschreibung

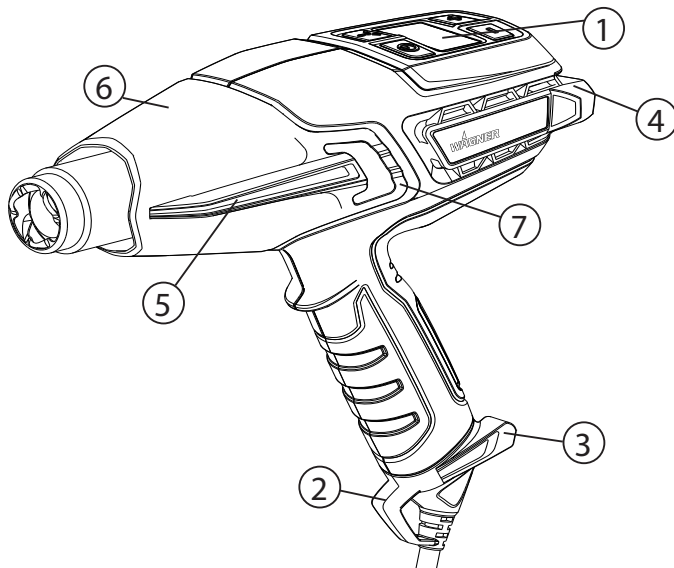
Diese Heißluftpistole ist ein Qualitäts-Elektrowerkzeug. Wie jedes Elektrogerät kann es sich bei missbräulicher Verwendung als gefährlich erweisen. Lesen Sie die folgenden Anweisungen aufmerksam und befolgen Sie alle Sicherheitsmaßnahmen. Der Anwender ist für den ordnungsgemäßen Gebrauch der Heißluftpistole verantwortlich.

Spezifikationen

Gehäuse	Korrosions- und hitzebeständige Polymere mit hoher Schlagfestigkeit
Elektrische Leistung	2000 Watt bei HOCH, 150 Watt bei NIEDRIG
Spannung	220 - 240 V Wechselstrom
Frequenz	50 - 60 Hz
Wärmeleistung	Etwa 600 °C bei HOCH, etwa 60 °C bei NIEDRIG
Gewicht	0,9 kg

Merkmale Abb. 1

- 1) Bedienfeld - Temperatur und Lüfterdrehzahl
- 2) Aufhängehaken
- 3) Kabelsatz mit integrierten Stabilisatoren (mit Werkzeug entfernenbar)
- 4) Hintere Stabilisatorlamellen (aufrechter Stand)
- 5) Seitenleisten zur Vermeidung eines Düsenkontakts mit der Oberfläche
- 6) Düsenhitzeschild

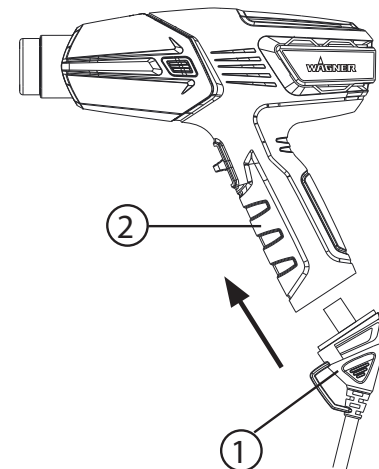
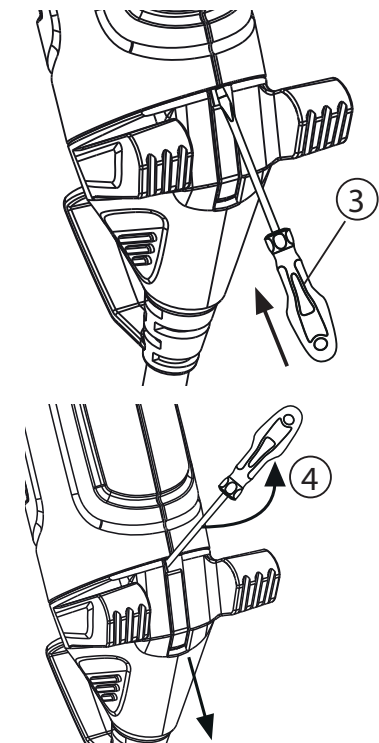
Abb. 1**Die Gehäuseabdeckung entfernen**

Die Gehäuseabdeckung kann bei der Arbeit in schwer zu erreichenden Stellen abgenommen werden. **ACHTEN SIE AUF DIE DÜSE.** Bei der Arbeit ohne die Gehäuseabdeckung besteht eine erhöhte Verbrennungsgefahr. Zum Entfernen der Gehäuseabdeckung einen kleinen flachen Schraubendreher zum Anheben der Lasche (Abb. 1, 7)

über den erhöhten Bereich hinaus verwenden.

Anbringen und Entfernen des Kabelsatzes

Der Kabelsatz (Abb. 2, 1) für die Heißluftpistole wird als nicht an der Pistole angebracht geliefert (Abb. 2, 2). Um ihn anzubringen, richten Sie den Satz an dem Sockel des Pistolengriffs aus und drücken Sie ihn solange fest hinein, bis Sie einen Klick vernehmen. Der Kabelsatz muss nicht mehr entfernt werden. Falls er abgenommen werden muss, führen Sie einen kleinen Schlitzschraubendreher (Abb. 2, 3) oder ein ähnliches Werkzeug wie in der Abbildung gezeigt in das Loch ein. Nutzen Sie den Schraubendreher als Hebel und drücken Sie ihn nach oben (4) in Richtung des Handgriffes, um den Kabelsatz zu lösen. Ziehen Sie den Kabelsatz fest von der Pistole ab.

Abb. 2**Anbringen****Entfernen**

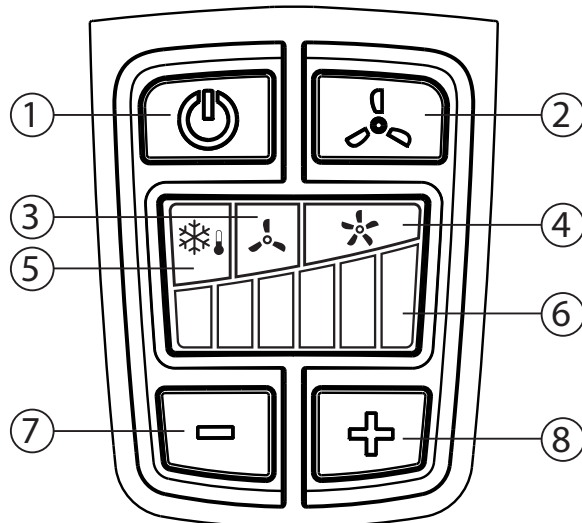
Touchpad-Bedienfeld

Die Heißluftpistole ermöglicht Ihnen die Auswahl eines großen Temperaturbereiches in Abhängigkeit von der Art des Projekts. Die Temperatur kann über das Bedienfeld eingestellt werden.

Temperaturführung LED-Display

Beschreibung Abb. 3	
1) Ein/Aus-Taste: Schaltet die Heißluftpistole auf ON und OFF oder schaltet in den Abkühlmodus um	2) Moduswähler: Stellt den von Ihnen verwendeten Temperaturbereich und Luftdurchsatz ein
3) Modusanzeige: Niedriger Luftdurchsatz- / niedriger Temperaturbereich (Siehe Abb. 4, a)	4) Modusanzeige: Hoher Luftdurchsatz- / hoher Temperaturbereich (Siehe Abb. . 4b)
5) Modusanzeige: Abkühlen	6) Temperaturanzeige: Zeigt die aktuelle Wärmeleistungseinstellung an (siehe Abb. . 4)
7) Temperaturwähler: Verringert die Temperatur (-)	8) Temperaturwähler: Erhöht die Temperatur (+)

Abb. 3



Beschreibung Abb. 4a & 4b

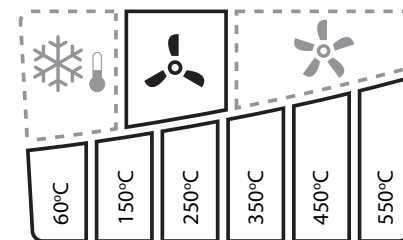
Luftdurchsatzmodus:
NIEDRIG

Temperaturbereich:
60 °C - 550 °C

Temperaturen wechseln:
Siehe Abb. 3, (7 & 8)

_____ = beleuchtet
- - - - - = nicht beleuchtet

Abb. 4a



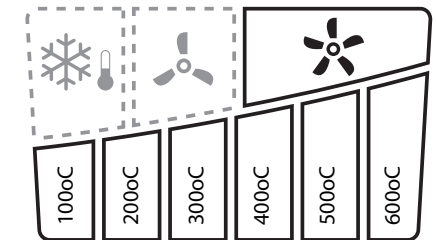
Luftdurchsatzmodus:
HOCH

Temperaturbereich:
100 °C - 600 °C

Temperaturen wechseln:
Siehe Abb. 3, (7 & 8)

_____ = beleuchtet
- - - - - = nicht beleuchtet

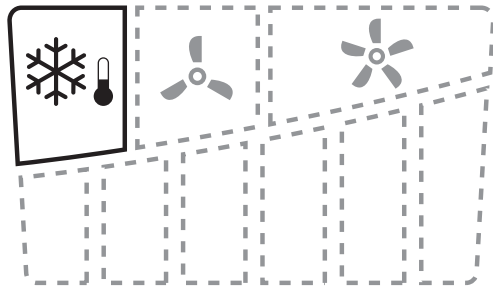
Abb. 4b



Abkühlmodus

In Ruhepausen oder wenn Sie Ihr Projekt beendet haben, drücken Sie die Ein/Aus-Taste, um in den Abkühlmodus zu gelangen (Abb. 5). Das blaue Anzeigelicht für das Abkühlen leuchtet auf und die Pistole arbeitet mit deaktiviertem Element weiter, um abzukühlen.

Abb. 5



5.

Einschalten



Lesen Sie stets die in dieser Betriebsanleitung angeführten Sicherheitsinformationen, bevor Sie die Heißluftpistole verwenden.

1. Stecken Sie die Heißluftpistole in eine Standardsteckdose.
2. Schalten Sie die Heißluftpistole durch Drücken der Ein/Aus-Taste an dem Bedienfeld ein (Abb. 3, 1). Wenn die Pistole eingeschaltet ist, stellt sie sich automatisch auf die Einstellung mit niedrigem Temperaturbereich (Abb. 4, a) bei 60°C und niedrigem Luftdurchsatz ein.
3. Wenn Sie innerhalb des niedrigen Temperaturbereiches weiter arbeiten möchten, drücken Sie einfach die Plus- oder Minus-Taste auf dem Touchpad, bis Ihre erwünschte Temperatureinstellung ausgewählt ist, was durch den beleuchteten Temperaturbalken angezeigt wird.
4. Wenn Sie innerhalb des hohen Temperaturbereiches und der hohen Luftdurchsatzeinstellung arbeiten möchten, drücken Sie die Moduswahltaste (Abb. 3, 2) 1 mal. Das Anzeigelicht für den hohen Temperaturbereich leuchtet auf. Nun können Sie einfach die Plus- oder Minus-Taste auf dem Bedienfeld drücken, bis Sie Ihre erwünschte Temperatureinstellung erreicht haben, was durch den beleuchteten Temperaturbalken angezeigt wird.

WICHTIG: Wenn sich der Gebläsemotor in der Heißluftpistole bei Betätigung der Ein/Aus-Taste nicht einschaltet, schalten Sie den Schalter sofort auf OFF. Das Heizelement brennt durch, wenn es nicht durch das Gebläse gekühlt wird.

In Ruhepausen oder wenn Sie Ihr Projekt beendet haben, drücken Sie die Ein/Aus-Taste, um in den Abkühlmodus zu gelangen (Abb. 5). Das blaue Anzeigelicht für das Abkühlen leuchtet auf und die Pistole arbeitet mit deaktiviertem Element weiter, um abzukühlen.

6. Stellen Sie die Pistole in einer aufrechten Stellung ab. Die Heißluftpistole schaltet sich nach 3 Minuten ab.
7. Zur Aufhebung des Abkühlmodus drücken und halten Sie die Ein/Aus-Taste 2 bis 3 Sekunden lang gedrückt. Die Pistole schaltet sich sofort ab.



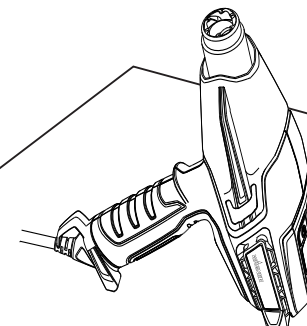
WICHTIG: Nach dem Abkühlmodus ist der Gehäusebereich der Heißluftpistole immer noch heiß.

Hinweis: Beim ersten Einschalten kann sich wegen der Verbrennung von Fertigungsölen Rauch entwickeln. Der Rauch sollte sich kurz nach dem ersten Einschalten auflösen.

Freihändige Bedienung Abb. 6

Die Heißluftpistole hat einen integrierten Ständer (Abb. 1, 4) für Werkbankanwendungen sowie für die Abkühlung. Wahlweise ist der Tragekoffer für die Heißluftpistole (Abb. 7) spezifisch dafür ausgelegt, die Pistole für eine Arbeit auf unebenen Oberflächen in einer aufrechten Stellung zu halten.

Abb. 6



AngleLoc (Tragekoffer)* Abb. 7a & 7b

A: Setzen Sie die Rückseite der Heißluftpistole so ein, dass sich die hinteren Stabilisatorlamellen selbst unter den Graten an der Seitenwand der Vertiefung an der Oberseite des Tragekoffers anordnen.

B: Dann schieben Sie die Heißluftpistole nach vorne, damit sie von selbst unter einem Winkel von 135 Grad einrastet. Nun sollte die Heißluftpistole für die aufrechte Verwendung einsatzbereit sein.

Abb. 7a

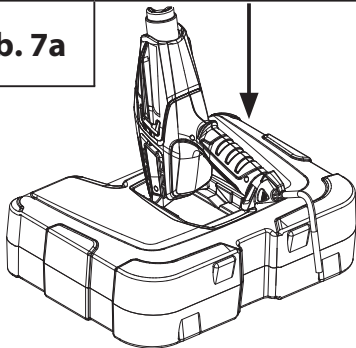
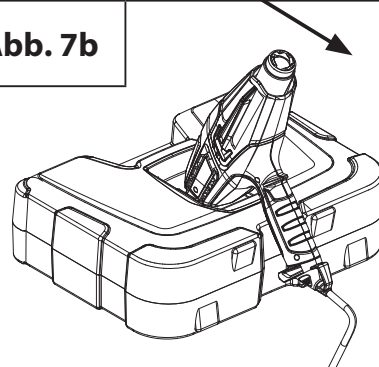


Abb. 7b



*AngleLoc-Tragekoffer kann separat erworben werden. Siehe Seite 25

WICHTIG: Wenn sich der motorbetriebene Lüfter in der Heißluftpistole nicht einschaltet, falls der Schalter entweder auf NIEDRIG oder auf HOCH gestellt wird, ist der Schalter sofort auf OFF zu stellen. Das Heizelement brennt durch, wenn es nicht von dem motorbetriebenen Lüfter gekühlt wird.

Hinweis: Stellen Sie die Heißluftpistole nach dem Ausschalten immer aufrecht ab, entweder bei einer kurzen Unterbrechung oder zur Lagerung. Vermeiden Sie, das Gerät nach dem Abschalten auf die Seite zu legen. Die Hitze verbleibt so länger im Gerät und die Abkühlung verlängert sich. Lagern Sie das Gerät erst ein, wenn die Düse kalt ist. Trennen Sie das Gerät vor der Einlagerung vom Netz, um eine unbeabsichtigte Inbetriebnahme zu verhindern.

WICHTIG: Schützen Sie bei der Arbeit in der Nähe von Fenstern immer das Glas.



Berühren Sie nicht die Düse oder andere bei der Arbeit verwendete Bauteile. Diese werden sehr heiß und führen zu ernstesten Verbrennungen. Tragen Sie für den Schutz der Hände vor heißen Abtragungen Handschuhe.

Viele Variablen beeinflussen Hitzeanwendungen, wie z.B. das zu erhitzende Material, die Umgebungstemperatur, der Abstand von der Pistole zu dem Substrat, sowie die Erhitzungstechnik. Aus diesem Grund hat Wagner Temperaturreichtlinien für bestimmte Anwendungen bereitgestellt. Starten Sie die Heißluftpistole immer mit der niedrigsten Temperatur im Bereich und erhöhen Sie diese dann, bis die optimale Temperatur erreicht ist. Halten Sie die Heißluftpistole beim Zuführen von Hitze immer in Bewegung und mindestens 5 cm von dem Substrat entfernt.

Die F500-Heißluftpistole ist eines der vielseitigsten Werkzeuge, in dessen Besitz Sie sein können. Sie kann für eine große Vielzahl von Projekten eingesetzt werden, die von großen Heimwerkeraufgaben bis zu kleinen Kunst- und Handwerksarbeiten reichen. Für weitere Einzelheiten zu verschiedenen Projekten und Anleitungsvideos besuchen Sie unsere Webseite www.wagner-group.com.

Verwendung		Hitze	Düsenaufsatz
Heimwerken	Farbe ablösen	HOCH	Zentrierdüse oder Breitstrahldüse
	Wandreparaturen	NIEDRIG	Ohne
	Farbe trocknen	NIEDRIG	Ohne
	Weicht Klebstoffe zur Entfernung von Bodenfliesen auf	NIEDRIG	Breitstrahldüse
	Kunststoff, Plexiglas, Resopal biegen	NIEDRIG/ HOCH	Reflektordüse
	Resopal und Linoleum entfernen	NIEDRIG	Breitstrahldüse
	Weicht Farbe, Dichtungsmasse und Fensterkitt zur einfacheren Entfernung an	HOCH	Zentrierdüse oder Breitstrahldüse
	Lack entfernen	NIEDRIG- MITTEL	Breitstrahldüse
	Plastikfolien zum Verpacken oder wetterfest Machen schrumpfen	NIEDRIG	Breitstrahldüse
Kleinarbeiten (einschließlich Reparatur)	Verrostete Muttern, Schrauben und Anschlussstücke lösen	HOCH	Ohne / Zentrierdüse
	Jeans reparieren	NIEDRIG	Breitstrahldüse
	Unkraut verbrennen	HOCH	Zentrierdüse
	Klebstoffe entfernen	NIEDRIG	Ohne
	Skier/Snowboard wachsen	NIEDRIG	Breitstrahldüse
	Glasfaserarbeiten	HOCH	Zentrierdüse oder Breitstrahldüse
	Rohre und Schlösser auftauen	NIEDRIG	Reflektordüse

Verwendung		Hitze	Düsenaufsatz
	BBQ-Grill anzünden	HOCH	Zentrierdüse / BBQ-Düse
	Schrumpfschläuche/Anschlüsse	NIEDRIG- MITTEL	Reflektordüse
	Wärmebehandelter Beton vor der Reparatur	NIEDRIG/ HOCH	Zentrierdüse
	Kühlschrank / Tiefkühler auftauen	NIEDRIG	Ohne
Kunsthandwerk	Kerzen herstellen	NIEDRIG	Ohne
	Seife herstellen	NIEDRIG	Ohne
	Geschenke in Schrumpffolie einwickeln	NIEDRIG	Ohne
	Schaum bilden	NIEDRIG	Ohne
	Dekoration von Keksen	NIEDRIG/ HOCH	Ohne
KFZ Anwendungen	Etiketten, Logos und Aufkleber entfernen	NIEDRIG	Ohne
	Beulen entfernen	HOCH	Ohne
	Farbe und Lacke entfernen	HOCH	Zentrierdüse oder Breitstrahldüse
	Fenstertönung auftragen und entfernen	NIEDRIG	Ohne
	Stoßfänger wiederherstellen	HOCH	Ohne
Elektronik	Smartphone- & Tablet-Reparatur	NIEDRIG	Zentrierdüse
	PlayStation- und Xbox-Reparatur	NIEDRIG	Zentrierdüse

Farbe ablösen

Die Heißluftpistole erhitzt die Oberfläche und bewirkt ein Aufweichen der Farbe, die dann einfach und ohne die Oberfläche zu beschädigen abgetragen werden kann. Einige Farben können aufgeweicht sein, obwohl sie keine Blasen werfen; einige Farben können gummiartig werden und andere können mehr Hitze erfordern.

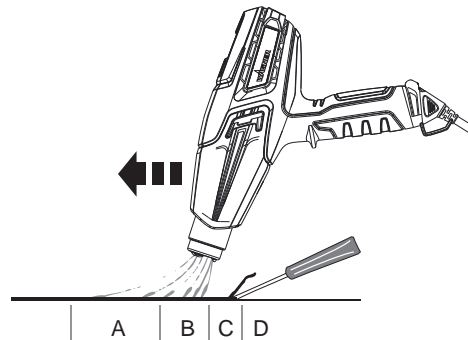
Bei der Arbeit an mehreren Farbschichten wird der Abtragungsprozess dadurch beschleunigt, dass die Oberfläche gründlich bis hinunter zum Holz erwärmt wird, Dann können alle Schichten gleichzeitig abgetragen werden.

Eine weiche Drahtbürste kann für die Verwendung bei äußerst schwierigen Oberflächen das beste Werkzeug sein. Mineralische Farben und Beschichtungen wie z.B. Zementfarbe und Porzellan erweichen nicht durch Wärme, weshalb hier ein Heißluftgerät zur Farbentfernung nicht funktioniert.

Die beste Methode um Farbe zu entfernen

Bewegen Sie die Heißluftpistole langsam und stetig unter einem Winkel zu der Oberfläche, bei dem die Düse zur Bewegungsrichtung hin weist, nach vorne. Dadurch können Sie sicher außerhalb des heißen Luftdurchsatzes abtragen und sowohl den Schaber wie die abgetragene Oberfläche kühler halten.

- A. Warme Luft heizt die Oberfläche vor.
- B. Farbe wird durch die heiße Luft aufgeweicht.
- A + B. Tiefe Wärmeeindringung über die gesamte Fläche.
- C. Die Farbe kann einfach abgetragen werden, sobald sie aufgeweicht ist und die Pistole nach vorne bewegt wird.
- D. Die nackte Oberfläche kann abkühlen.



Hinweis: Verwenden Sie die Heißluftpistole nicht auf Oberflächen, die durch Hitze beschädigt werden können, wie z.B. vinylbeschichtete Paneele, vinylbeschichtete Verkleidungen oder vinylbeschichtete Fensterrahmen.

Bei der Farbabtragung von Fensterrahmen weicht die Heißluftpistole den Fensterkitt auf. Achten Sie darauf, mit dem Schaber nicht den Fensterkitt herauszuholen. Der Fensterkitt wird wieder fest, nachdem er abgekühlt ist.

Benutzen Sie die Heißluftpistole nicht an Isolier-Verbundglasfenstern wie z.B. Thermopane. Die Ausdehnung der Glaskante kann die Randabdichtung aufbrechen.

Beim Abtragen von Frontplatten überhitzen Sie die Kanten der Asphaltshindeln nicht, die über den Rand der Verkleidung vorstehen. Zu viel Hitze schmilzt den Asphalt.

WICHTIG: Die Farbentfernung mittels einer Heißluftpistole ist sicher, sofern die obigen Richtlinien beachtet werden. Halten Sie jedoch immer einen Behälter mit Wasser oder einen ABC-Feuerlöscher (der sich für Brände der Brandklasse A, B und C eignet) in Reichweite.

Reinigung und Wartung

Halten Sie die Eintrittsöffnungen am Gehäuse sauber und frei von Verstopfungen. Verwenden Sie eine weiche trockene Bürste, um die Öffnungen regelmäßig zu reinigen. Benutzen Sie für die Reinigung der Heißluftpistole nur milde Seife und ein feuchtes Tuch. Viele Haushaltsreinigungsmittel enthalten Chemikalien, die das Gehäuse beschädigen könnten.

Verwenden Sie kein Petroleum, Terpentin, Lack, Farbverdünner und keine Trockenreinigungsflüssigkeiten oder ähnliche Produkte für die Reinigung der Heißluftpistole.

Lassen Sie **NIEMALS** zu, dass Flüssigkeiten in das Gerät eindringen oder dass Geräteteile in Flüssigkeit eingetaucht werden.

Reinigungs- und Wartungsaufgaben dürfen nicht durch Kinder erfolgen.

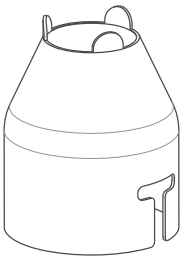
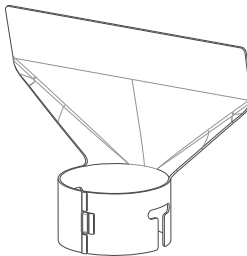
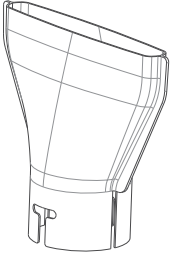
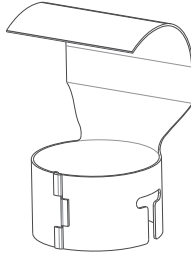
Aufbewahrung

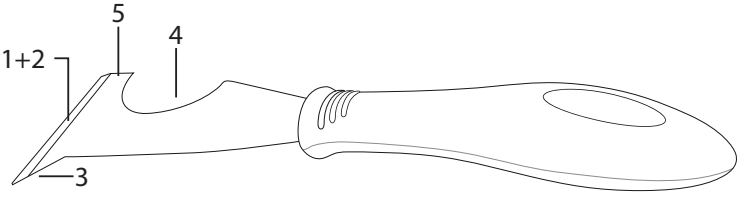
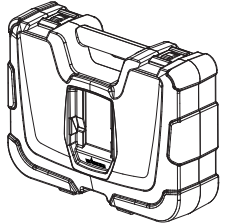
Bevor Sie die Heißluftpistole einlagern, ermöglichen Sie, dass die Düse auf Raumtemperatur abkühlen kann.

Über die Zeit hinweg wird die Düse aufgrund der großen Hitze dunkler werden. Das ist normal und beeinträchtigt nicht die Leistungsfähigkeit oder die Lebensdauer des Geräts.

Zubehör

Das folgende Zubehör kann der Heißluftpistole beiliegen oder separat unter www.wagner-group.com/service erworben werden. Wahlweise findet sich auf der Rückseite der Betriebsanleitung Ihr nächstgelegenes Service Center.

Bezeichnung	Beschreibung	Bezeichnung	Beschreibung
Zentrierdüse P/N2366222		Abstrahldüse P/N2366224	
Breitstrahldüse P/N2366223		Reflektordüse P/N2366225	

Bezeichnung	Beschreibung
 <p>5-in-1 Schaber-Werkzeug P/N2366227</p>	<p>Dieses Werkzeug verfügt über 5 Funktionen. Die Klinge wird zum (1) Abtragen von Farbe und (2) Ausbreiten von Zusammensetzungen verwendet. Die Ausstechspitze (3) wird zum Entfernen von Kitt/Fensterkitt aus offenen Sprüngen benutzt. Die gebogene Fläche (4) wird zum Reinigen der Rollenabdeckungen verwendet. Die flache Seite (5) kann zum Öffnen von Farbdosen benutzt werden.</p>
 <p>Tragekoffer P/N2366226</p>	<p>Der Tragekoffer mit AngleLoc für die Heißluftpistole ist spezifisch dafür ausgelegt, die Pistole für eine Arbeit auf unebenen Oberflächen in einer aufrechten Stellung zu halten.</p>

WICHTIG: Tragen Sie bei der Bedienung der Heißluftpistole immer Handschuhe.

Um ein optionales Bauteil an der Heißluftpistole anzubringen:

1. Stellen Sie die Heißluftpistole aufrecht auf eine ebene Oberfläche und warten Sie ab, bis sich die Spitze abgekühlt hat.
2. Bringen Sie das Bauteil an der Spitze der Heißluftpistole an und drücken Sie es per Hand fest.

Um ein optionales Bauteil von der Heißluftpistole zu entfernen:

1. Stellen Sie die Heißluftpistole aufrecht auf eine ebene Oberfläche und warten Sie ab, bis sich die Spitze abgekühlt hat.
2. Ziehen Sie das Bauteil von der Spitze ab.

Produktregistrierung

Registrieren Sie Ihr Produkt online unter www.wagner-group.com/3plus1, um sich für 1 zusätzliches Jahr Garantie zu qualifizieren.

3+1 Jahre Garantie

Die Garantie beträgt 3 Jahre ab dem Verkaufsdatum (Kaufbeleg). Die Garantie verlängert sich um weitere 12 Monate, wenn das Gerät innerhalb von 4 Wochen nach dem Kauf unter www.wagner-group.com/3plus1 online registriert wird. Eine Registrierung ist nur dann möglich, wenn der Käufer sich mit der Speicherung seiner dort einzugebenden Daten einverstanden erklärt. Die Garantie umfasst und beschränkt sich auf die kostenlose Behebung der Mängel, die nachweisbar auf die Verwendung von nicht einwandfreiem Material bei der Herstellung oder auf Montagefehler zurückzuführen sind; oder den kostenfreien Austausch der fehlerhaften Teile. Die Garantie erstreckt sich nicht auf unsachgemäße Verwendung oder Inbetriebnahme oder Montagen oder Reparaturen, die nicht in unserer Bedienungsanleitung angegeben sind. Verschleißteile sind von der Garantie ausgeschlossen. Die Garantie gilt nicht bei gewerblichem Einsatz des Geräts. Wir behalten uns ausdrücklich das Recht vor, die Garantie zu erfüllen. Die Garantie erlischt, wenn das Werkzeug von anderen Personen als dem Kundendienstpersonal von Wagner geöffnet wird. Transportschäden, Schäden durch Wartungsarbeiten, Verluste sowie Schäden aufgrund fehlerhafter Wartung sind nicht durch die Garantie abgedeckt. Für die Inanspruchnahme der Garantie muss der Kauf des Werkzeugs durch Vorlage der Originalrechnung nachgewiesen werden. Soweit gesetzlich möglich, schließen wir jede Haftung für Verletzungen, Schäden oder Folgeschäden insbesondere dann aus, wenn das Werkzeug für einen anderen als den in der Betriebsanleitung angegebenen Zweck genutzt oder überlassen, oder nicht in Übereinstimmung mit unserer Betriebsanleitung repariert

wurde oder die Reparaturen von nicht ausreichend qualifiziertem Personal durchgeführt werden. Wir behalten uns das Recht vor, nur die Reparaturen durchzuführen, die in unserer Bedienungsanleitung angegeben werden. Im Falle der Inanspruchnahme der Garantie oder für Reparaturen wenden Sie sich bitte an Ihre Verkaufsstelle. Diese Garantie hat keinen Einfluss auf Ihre gesetzlichen Rechte.

INFORMATIONEN ZUR ENTSORGUNG VON ELEKTRO- UND ELEKTRONIK-ALTGERÄTEN GEMÄSS WEEE-RICHTLINIE



Das Gerät samt Zubehör und Verpackung sollte einer umweltgerechten Wiederverwertung zugeführt werden. Geben Sie das Gerät bei der Entsorgung nicht in den Hausmüll. Unterstützen Sie den Umweltschutz und bringen Sie deshalb Ihr Gerät zu einer örtlichen Entsorgungsstelle oder erkundigen Sie sich im Fachhandel.

EU prohlášení o shodě

Prohlašujeme na naši odpovědnost, že tento výrobek odpovídá následujícím příslušným podmínkám:
2014/35/EU, 2014/30/EU, 2011/65/EU, 2012/19/EU

Angewandte harmonisierte Normen:
EN 60335-1, EN 60335-2-45, EN 55014-1, EN 55014-2,
EN 61000-3-2, EN 61000-3-3, EN 62233

Die EU Konformitätserklärung liegt dem Produkt bei. Sie kann bei Bedarf mit der Bestellnummer **2389336** nachbestellt werden.



Informations importantes relatives à la sécurité • Veuillez lire toutes les informations relatives à la sécurité avant d'utiliser l'équipement. Conservez précieusement ces instructions.

Pour réduire les risques d'incendie ou d'explosion, de choc électrique et de blessures, il est indispensable de lire et de comprendre toutes les instructions de ce manuel. Vous devez vous familiariser avec les commandes et les consignes d'utilisation de l'équipement.



Ce symbole signale une situation dangereuse qui, si elle n'est pas évitée, est susceptible d'entraîner des blessures graves voire mortelles.

DANGER : POISON

Le décapage de la peinture doit être réalisé avec une extrême prudence. Les parties décollées, les déchets et les vapeurs de peinture peuvent contenir du plomb qui est toxique. Toutes les peintures domestiques appliquées avant 1950 sont susceptibles de contenir du plomb. Toute peinture fabriquée avant 1977 peut contenir du plomb. Lorsque la peinture est déposée sur les surfaces, un contact des mains à la bouche peut se traduire par l'ingestion de plomb. Même de faibles niveaux d'exposition au plomb peuvent provoquer des dommages irréversibles pour le cerveau et le système nerveux. Les jeunes enfants et les foetus sont particulièrement vulnérables à l'intoxication par le plomb.

Avant de commencer une opération de retrait de peinture, il faut déterminer si la peinture concernée contient du plomb. Cette détermination peut être réalisée par un service d'hygiène local ou par un professionnel utilisant un analyseur de peinture pour vérifier la teneur en plomb de la peinture à décoller. Seul un professionnel peut retirer une peinture contenant du plomb et il ne faut pas utiliser de pistolet à air chaud.

PRÉVENTION :

Déplacez l'objet à décaper à l'extérieur en veillant à l'abriter de la pluie. Si ce n'est pas possible, la zone de travail doit être bien aérée. Ouvrez les fenêtres et placez un ventilateur d'évacuation dans l'une d'entre elles. Contrôlez que le ventilateur évacue l'air de l'intérieur vers l'extérieur.

- Les moquettes, tapis, meubles, vêtements, ustensiles de cuisine et les conduits d'air doivent être retirés de la zone de travail ou recouverts d'une protection.

- Déposez des toiles de protection dans la zone de travail pour recueillir tous les éclats ou lambeaux de peinture. Portez des vêtements de protection, comme une chemise de travail, une combinaison et un chapeau ou casquette.
- Le travail doit se faire dans une seule pièce à la fois. Les meubles doivent être déplacés en dehors de la pièce ou rassemblés au centre de la pièce et être complètement recouverts. Les zones de travail doivent être fermées hermétiquement par rapport aux autres pièces de l'habitation en bouchant les embrasures de portes avec des bâches de chantier.
- Portez un masque respiratoire antipoussières agréé ou un masque respiratoire à double filtre pour les poussières et les fumées. Vous trouverez facilement ces masques et leurs filtres de rechange dans les magasins de bricolage. Assurez-vous que le masque est bien ajusté. Les barbes et autres pilosités faciales peuvent empêcher un ajustement étanche du masque. Changez les filtres fréquemment. Les masques jetables en papier ne sont pas adaptés.
- Utilisez le pistolet à air chaud avec prudence. Déplacez le pistolet constamment car une chaleur excessive dégagera des fumées qui peuvent être inhalées par l'opérateur.
- Il ne doit pas y avoir d'aliments ni de boissons présents dans la zone de travail. Veillez à laver vos mains, vos bras et le visage et à rincer votre bouche avant de manger ou de boire. Ne fumez pas, ne chiquez pas du tabac et ne mâchez pas de gomme dans la zone de travail.
- Nettoyez toute la peinture tombée au sol et la poussière en passant une serpillière humide sur les sols. Utilisez un chiffon humide pour nettoyer tous les murs, seuils de portes et fenêtres et autres surfaces où la poussière de peinture a pu se déposer. N'utilisez pas de balai, d'aspirateur ou de chiffon sec pour éliminer la poussière. Utilisez un détergent à base de phosphate trisodique, c'est-à-dire à forte teneur en phosphates, pour laver les zones.
- A la fin de chaque séance de travail, mettez les éclats de peinture et les débris dans un sac en plastique double, fermez-le avec de l'adhésif ou tordez les liens et mettez-le sac au rebut selon les réglementations applicables.

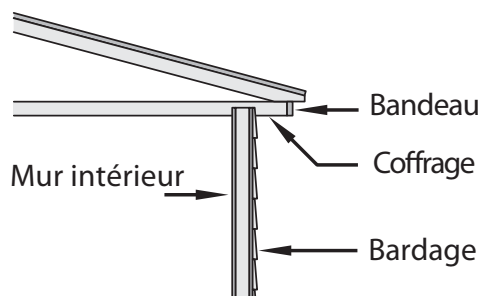
- Retirez vos vêtements de protection et vos chaussures de travail dans la zone de travail pour éviter de transporter de la poussière dans le restant du bâtiment. Lavez les vêtements de travail à part. Essuyez les chaussures avec un chiffon humide et lavez-le avec les vêtements de travail. Lavez bien votre corps et vos cheveux avec de l'eau et du savon.

DANGER: EXPLOSION OU INCENDIE

Ce pistolet à air chaud génère des températures très élevées (pouvant atteindre 600 °C). Il doit être utilisé avec précaution pour éviter que des matières combustibles ne prennent feu.

PRÉVENTION :

- Gardez toujours en mouvement le pistolet à air chaud. Ne vous arrêtez pas sur une zone.
- Faites preuve d'une extrême prudence si l'autre face du matériau à décaper est inaccessible, comme dans le cas du bardage d'une maison. La partie masquée pourrait prendre feu si la surface devenait trop chaude. Certains bâtiments contiennent des matières extrêmement inflammables derrière les parois de bardage, les sols, les et gouttières, les panneaux de coffrage et autres panneaux. Vérifiez ces zones avant d'appliquer la chaleur et n'utilisez pas d'outil générateur de chaleur si des matières inflammables sont présentes ou si vous ne savez pas précisément quel est le matériau caché.
- N'utilisez pas le pistolet à proximité de surfaces fissurées ou près de tuyaux en métal ou en cas d'éclairs. Il y a un risque de conduction de la chaleur derrière la surface de travail et d'inflammation du matériau caché. Il se peut que l'inflammation du matériau caché ne soit pas immédiatement visible et elle peut entraîner des dommages matériels et corporels.
- N'utilisez pas d'outils électriques en présence de liquides ou de gaz inflammables.
- N'utilisez pas le pistolet à proximité de matières combustibles, comme de l'herbe sèche, des feuilles et du papier qui peuvent roussir et prendre feu.
- La buse devient très chaude. Ne posez pas le pistolet à air chaud



sur des surfaces inflammables lorsque vous utilisez le pistolet ou immédiatement après l'avoir éteint. Posez toujours le pistolet sur une surface plate et plane de manière que l'extrémité de la buse soit pointée directement vers le haut et soit distante de la surface d'appui.

- Ne touchez pas la buse tant que l'outil n'a pas refroidi.
- N'utilisez pas le pistolet à air chaud comme si c'était un sèche-cheveux.
- Les outils et les copeaux de peinture deviennent très chauds. Pour éviter les brûlures, utilisez des gants de travail et des protections oculaires pendant le grattage.
- Traitez toujours le pistolet à air chaud avec la même prudence que s'il s'agissait d'une flamme nue.
- Ne pas utiliser dans une atmosphère explosive.

DANGER: ÉLECTRIQUE

Peut provoquer des dommages matériels, des blessures graves ou un décès.

PRÉVENTION :

- Ne démontez pas le pistolet à air chaud.
- Ne travaillez pas dans des zones mouillées et n'exposez pas le pistolet à air chaud à la pluie ou à l'humidité.
- Protégez-vous de l'électrocution en évitant tout contact corporel avec des surfaces mises à la terre telles que des tuyaux, des radiateurs, des cuisinières, des échelles en aluminium ou d'autres appareils mis à la terre.
- Ne malmenez pas le cordon d'alimentation. Ne portez jamais le pistolet à air chaud par le cordon d'alimentation et ne tirez pas sur le cordon pour le débrancher de la prise. Tenez le cordon d'alimentation éloigné d'une source de chaleur, d'huile ou de bords coupants. Inspectez le cordon régulièrement pour déceler les signes d'usure ou de détérioration.
- Si une rallonge électrique est endommagée ou inutilisable, remplacez-la par une rallonge neuve.

DANGER : GÉNÉRALITÉS

Peut provoquer des dommages matériels ou des blessures graves.

PRÉVENTION :

- Le pistolet à air chaud doit toujours être débranché de la prise d'alimentation lorsqu'il n'est pas utilisé. Conservez le pistolet dans un endroit sec à l'intérieur et hors de la portée d'enfants qui ne sont pas

sous la surveillance d'adultes.

- La zone de travail doit toujours être propre et bien éclairée.
- Ne tendez pas le bras trop loin, particulièrement lorsque vous travaillez sur une échelle. Veillez à toujours avoir une position vous permettant de garder votre équilibre. Assurez-vous que les échelles utilisées sont solides, stables, placées sur un sol ferme et dépliées à des angles permettant un travail dans des conditions de sécurité.
- Évitez les lignes électriques.
- Pendant le grattage, veillez à la stabilité et la sécurité des éléments déplaçables.
- Portez toujours des protections oculaires pour travailler.
- Restez vigilant et faites preuve de bon sens lorsque vous utilisez un outil.
- N'utilisez jamais l'appareil pour dégeler des tuyaux gelés placés à l'intérieur de murs ou à proximité de matières combustibles. Utilisez toujours une buse à réflecteur (Réf. 2366225) pour dégeler les tuyaux gelés.
- Ne laissez pas le pistolet à air chaud sans surveillance lorsqu'il est allumé.
- Cet appareil peut être utilisé par des enfants âgés d'au moins 8 ans et par des personnes présentant des capacités physiques, sensorielles ou mentales limitées ou disposant d'une expérience ou de connaissances insuffisantes à condition que l'utilisation ait lieu sous la supervision d'une personne responsable ou après avoir reçu des instructions leur permettant de l'utiliser en toute sécurité et de comprendre les risques associés. Les enfants ne doivent pas jouer avec l'appareil.
- Tenir l'appareil et son cordon hors de portée d'enfants.

ALIMENTATION SECTEUR

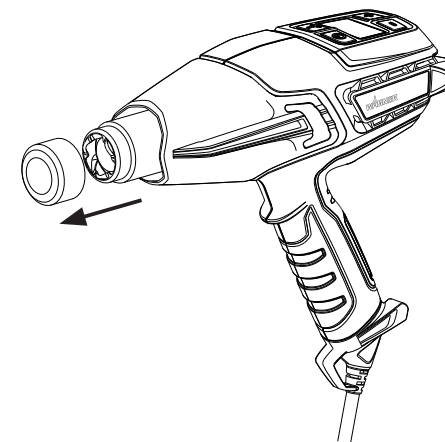
Ce pistolet à air chaud est fourni avec un cordon d'alimentation. Si le cordon d'alimentation est endommagé, veuillez le remplacer par un cordon neuf pour ne pas compromettre la sécurité. Veuillez contacter le service après-vente de Wagner pour commander un cordon d'alimentation de rechange.

EN CAS DE DOUTE, VEUILLEZ CONTACTER UN ÉLECTRICIEN QUALIFIÉ.

AVERTISSEMENT - Utilisez une rallonge électrique compatible avec la fiche du cordon d'alimentation. Assurez-vous que la rallonge est en parfait état. Si vous utilisez une rallonge, assurez-vous d'utiliser un calibre suffisant pour le courant d'alimentation de votre produit. Un cordon sous-calibré entraînerait une chute de tension d'alimentation et, par conséquent, une perte de puissance et une surchauffe. Un cordon en caoutchouc de type harmonisé H05RR-F 3 x 1 mm² est le minimum requis pour une utilisation générale.

Capuchon protecteur

AVERTISSEMENT - Retirez le capuchon protecteur en plastique avant d'utiliser le pistolet à air chaud.



Utilisation du pistolet à air chaud

Description générale

This pistolet à air chaud est un outil électrique de qualité. Comme tout outil électrique, il peut être dangereux s'il est mal utilisé. Veuillez lire avec attention les instructions ci-dessous et observez toutes les consignes de sécurité. Le propriétaire du pistolet à air chaud est responsable de son utilisation adéquate.

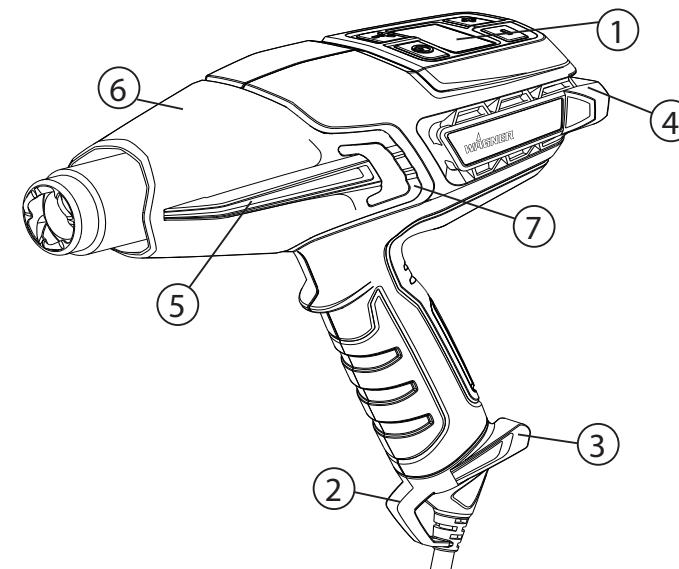
Spécifications

Boîtier	Polymères techniques résistants aux chocs, à la corrosion et à la chaleur
Puissance	2 000 W pour le réglage HAUT, 150 W pour le réglage BAS
Tension	220 - 240 V c.a.
Fréquence	50 - 60 Hz
Puissance calorifique	Environ 600 °C pour le réglage HAUT, environ 60 °C pour le réglage BAS
Poids	0,9 kg

Caractéristiques Fig. 1

- 1) Panneau de commande - température et vitesse de ventilation
- 2) Crochet de suspension
- 3) Cordon d'alimentation avec stabilisateurs intégrés (amovibles avec un outil)
- 4) Ailerons stabilisateurs à l'arrière (position verticale)
- 5) Barres latérales pour éviter que la buse touche la surface
- 6) Déflecteur de chaleur de la buse

Fig. 1

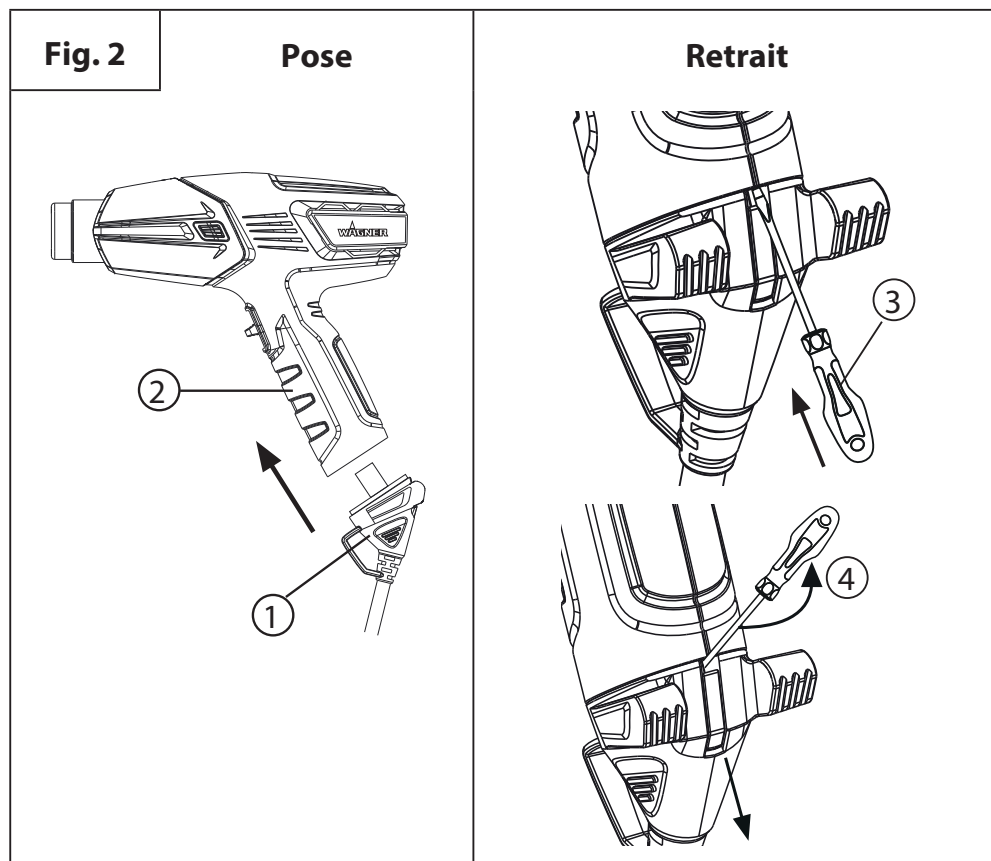


Retrait du couvercle du barillet

Il est possible de retirer le couvercle du barillet dans le cas de travail dans des endroits difficilement accessibles. **MANIPULEZ LA BUSE AVEC PRUDENCE.** Le risque de brûlure est accru si vous travaillez sans le couvercle de barillet. Pour retirer le couvercle du barillet, utilisez un petit tournevis à lame plate pour soulever la languette (Fig. 1, 7) sur la partie en saillie.

Pose et retrait du cordon d'alimentation

Le cordon d'alimentation (Fig. 2, 1) du pistolet à air chaud est livré non fixé sur le pistolet (Fig. 2, 2). Pour le brancher, insérez l'extrémité du cordon dans la prise placée sur la poignée du pistolet et appuyez fermement jusqu'à ce que vous entendiez un clic. Le cordon d'alimentation pourra ensuite rester ainsi constamment branché. Si le cordon d'alimentation doit être retiré, enfoncez un petit tournevis plat (fig. 2, 3) dans le trou, comme illustré. Utilisez le tournevis comme levier et poussez-le vers le haut (4) en direction de la poignée afin de libérer le cordon d'alimentation. Tirez fermement sur le cordon pour le dégager du pistolet.



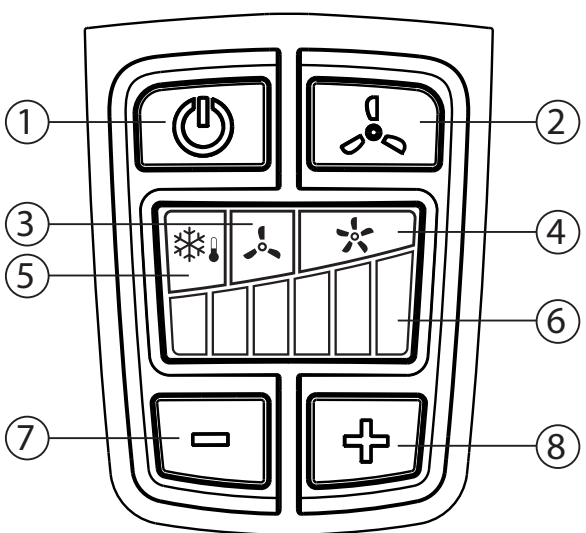
Panneau de commande tactile

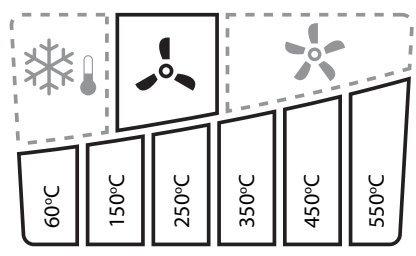
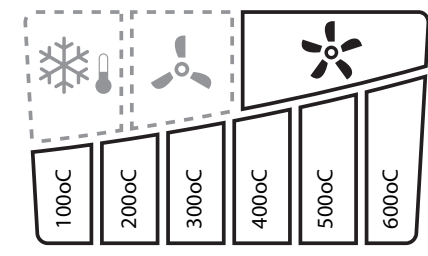
Le pistolet à air chaud offre une large plage de températures pour sélectionner celle adaptée au type de projet. La température peut être réglée via le panneau de commande.

Affichage lumineux du guide de températures

Description Fig. 3	
1) Bouton Marche/Arrêt : Met le pistolet à air chaud sous/hors tension ou met l'appareil en mode Refroidissement	2) Sélecteur de mode : Définit la plage de températures et l'intensité du débit d'air
3) Indicateur de mode : Débit d'air faible / plage basses températures (voir Fig. 4, a)	4) Indicateur de mode : Débit d'air élevé / plage hautes températures (voir Fig. 4, b)
5) Indicateur de mode: Refroidissement	6) Indicateur de température : Affiche le réglage actuel de la puissance calorifique (voir Fig. 4)
7) Sélecteur de température : Diminue la température (-)	8) Sélecteur de température : Augmente la température (+)

Fig. 3

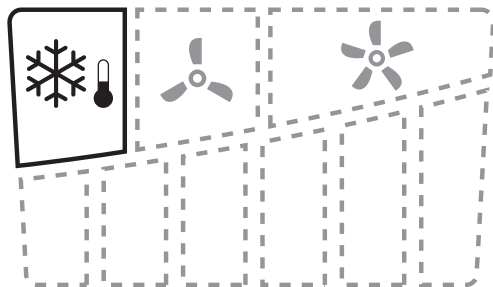


Description Fig. 4a & 4b	
Mode débit d'air : BAS Plage de températures : 60 °C - 550 °C Températures des cycles : voir Fig. 3, (7 & 8) _____ = Allumé - - - - - = non allumé	Mode débit d'air : HAUT Plage de températures : 100 °C - 600 °C Températures des cycles : voir Fig. 3, (7 & 8) _____ = Allumé - - - - - = non allumé
Fig. 4a	Fig. 4b
	

Mode Refroidissement

Pendant les périodes de pause ou lorsque le travail est terminé, appuyez sur le bouton Marche/Arrêt pour activer le mode Refroidissement (Fig. 5). Le voyant bleu du mode Refroidissement s'allume et le pistolet continue de fonctionner avec l'élément désactivé aux fins de refroidissement.

Fig. 5



Démarrage

! Il est impératif de lire les consignes de sécurité présentées dans ce manuel avant d'utiliser le pistolet à air chaud.

1. Branchez la fiche d'alimentation du pistolet à air chaud dans une prise de courant standard.
2. Mettez en marche le pistolet à air chaud en appuyant sur le bouton Marche/Arrêt sur le panneau de commande (Fig. 3, 1). Lorsque le pistolet est mis en marche, il est réglé automatiquement sur la plage de températures basses (Fig. 4, a) à 60 °C et un débit d'air faible.
3. Si vous souhaitez continuer à travailler dans la plage de températures basses, il vous suffit d'appuyer sur le bouton plus ou moins ou sur le pavé tactile jusqu'à ce que la température souhaitée soit sélectionnée. Celle-ci est indiquée par l'allumage de la barre de température correspondante.
4. Si vous souhaitez travailler dans la plage de températures hautes et avec un débit d'air fort, appuyez une fois sur le bouton sélecteur de mode (Fig. 3, 2). Le voyant de plage de températures hautes s'allume. Il vous suffit maintenant d'appuyer sur le bouton plus ou moins sur le panneau de commande jusqu'à ce que la température souhaitée soit sélectionnée. Celle-ci est indiquée par l'allumage de la barre de température correspondante.

IMPORTANT : Si le moteur du ventilateur du pistolet à air chaud ne se met pas en marche lorsque vous activez le bouton MARCHÉ, éteignez immédiatement le pistolet. L'élément chauffant grillera s'il n'est pas refroidi par le ventilateur.

5. Pendant les périodes de pause ou lorsque le travail est terminé, ap-

puyez sur le bouton Marche/Arrêt pour activer le mode Refroidissement (Fig. 5). Le voyant bleu du mode Refroidissement s'allume et le pistolet continue de fonctionner avec l'élément désactivé aux fins de refroidissement.

6. Reposez le pistolet en position verticale. Le pistolet à air chaud s'éteindra automatiquement au bout de 3 minutes.
7. Pour désactiver le mode Refroidissement, maintenez enfoncé le bouton Marche/Arrêt pendant 2-3 secondes. Le pistolet est mis hors tension immédiatement.



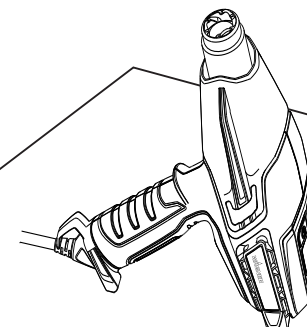
IMPORTANT : Le corps du pistolet restera chaud un certain temps après le mode Refroidissement.

Remarque : De la fumée peut apparaître pendant la première mise en marche en raison du brûlage des huiles de fabrication. La fumée se dissipera rapidement une fois l'appareil en marche.

Fonctionnement mains-libres Fig. 6

Le pistolet à air chaud possède un support intégré (Fig. 1, 4) pour les applications sur établi et pour le refroidissement. Sinon, la mallette de transport du pistolet à air chaud (Fig. 7), disponible en option, a été spécialement conçue pour placer le pistolet à air chaud en position verticale pour le travail sur des surfaces inégales.

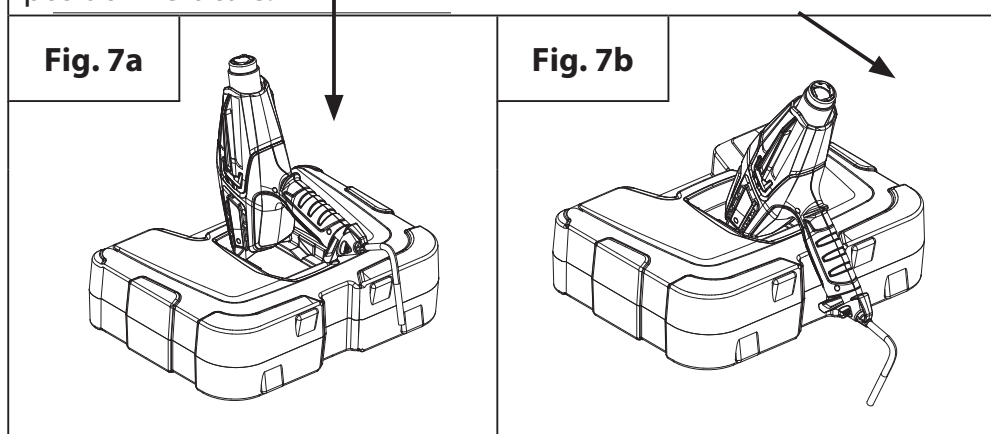
Fig. 6



AngleLoc (mallette de transport)* Fig. 7a & 7b

A: Insérez la partie arrière du pistolet à air chaud de manière que les ailerons de stabilisation à l'arrière soient situés en dessous des rainures sur la paroi latérale de la cavité en haut de la mallette de transport.

B: Ensuite, faites glisser le pistolet à air chaud vers l'avant pour qu'il avance dans sa position de blocage naturelle à un angle de 135 degrés. Le pistolet à air chaud offre alors une sécurité d'emploi en position verticale.



* La mallette de transport AngleLoc peut être achetée individuellement. Voir page 38

IMPORTANT : Si le ventilateur motorisé du pistolet à air chaud ne se met pas en marche lorsque vous réglez le sélecteur sur BAS ou HAUT, mettez immédiatement le pistolet en position d'arrêt. L'élément chauffant grillera s'il n'est pas refroidi par le ventilateur motorisé.

Remarque : Mettez toujours le pistolet à air chaud en position verticale dès qu'il est éteint, que ce soit pour une courte pause ou pour le ranger. Évitez de poser l'appareil en position horizontale après sa mise hors tension. La chaleur restera dans l'appareil et le refroidissement sera plus long. Rangez l'appareil après avoir laissé refroidir la buse. Débranchez l'appareil avant de le ranger afin d'éviter une mise en marche accidentelle.

IMPORTANT : Protégez toujours le vitrage lorsque vous travaillez à proximité de fenêtres.



Ne touchez pas la buse ou tout autre outil en cours d'utilisation lorsque vous travaillez avec le pistolet. Ils peuvent être brûlants et provoquer des brûlures graves. Portez des gants pour protéger vos mains des copeaux brûlants.

De nombreuses variables interviennent dans les applications de chauffage, par exemple le matériau à chauffer, la température ambiante, la distance entre le pistolet et la surface à traiter ainsi que la technique utilisée. Pour cette raison, Wagner a fourni des indications de température pour certaines applications. Mettez en marche le pistolet à air chaud en le réglant systématiquement sur la température la plus basse de la plage choisie et augmentez la température jusqu'à obtention de la température optimale. Le pistolet à air chaud doit toujours être en mouvement et distant d'au moins 5 cm de la surface lorsque la chaleur est appliquée.

Le pistolet à air chaud F500 compte parmi les outils les plus polyvalents que vous puissiez posséder. Il est utilisable pour une grande variété d'applications, des gros travaux de bricolage aux tâches minutieuses des loisirs créatifs. Pour plus de renseignements sur la variété des applications et pour visionner des vidéos de démonstration, consultez notre site Internet www.wagner-group.com.

Utilisation		Chaleur	Options embout de buse
Bricolage	Décapage de peinture	HAUT	Jet concentré ou large
	Réparation de murs	BAS	Ouvert (sans embout)
	Séchage de la peinture	BAS	Ouvert (sans embout)
	Ramollissement des adhésifs pour la dépose des carrelages	BAS	Jet concentré large
	Cintrage de plastique, plexiglas, formica	BAS/HAUT	Buse à réflecteur
	Dépose de formica ou de linoléum	BAS	Jet concentré large
	Ramollissement peinture, calfeutrage et mastic pour faciliter le décapage	HAUT	Jet concentré ou Jet concentré large
	Décapage vernis	BAS-MED	Jet concentré large
	Film plastique rétractable pour l'emballage ou l'étanchéisation	BAS	Jet concentré large
Petits travaux (y compris réparations)	Desserrage d'écrous, de boulons et de garnitures rouillés	HAUT	Ouvert/Jet concentré
	Réparation de jeans	BAS	Jet concentré large
	Brûlage de mauvaises herbes	HAUT	Jet concentré
	Retrait d'adhésifs	BAS	Ouvert (sans embout)
	Fartage de skis/snowboards	BAS	Jet concentré large
	Travaux avec fibres de verre	HAUT	Jet concentré ou large
	Dégel de tuyaux et serrures	BAS	Buse à réflecteur

Utilisation		Chaleur	Options embout de buse
	Allumage d'un barbecue	HAUT	Jet concentré / Buse barbecue
	Gaines/connecteurs thermorétractables	BAS-MED	Buse à réflecteur
	Chauffage du béton avant ragréage	BAS/HAUT	Jet concentré
	Dégivrage réfrigérateur/congélateur	BAS	Ouvert (sans embout)
	Loisirs créatifs	Fabrication de bougies	BAS
Fabrication de savon		BAS	Ouvert (sans embout)
Emballage de cadeaux sous film rétractable		BAS	Ouvert (sans embout)
Formation de mousse		BAS	Ouvert (sans embout)
Décoration de biscuits		BAS/HAUT	Ouvert (sans embout)
Automobile	Retrait de stickers, d'émblèmes et de décalcomanies	BAS	Ouvert (sans embout)
	Redressement des déformations	HAUT	Ouvert (sans embout)
	Décapage de peinture	HAUT	Jet concentré ou large
	Application et retrait de film teinté de vitres	BAS	Ouvert (sans embout)
	Redressement des pare-chocs	HAUT	Ouvert (sans embout)
	Électronique	Réparation de smartphones & tablettes	BAS
Réparation de PlayStation et Xbox		BAS	Jet concentré

Décapage de peinture

Le pistolet à air chaud chauffe la surface et ramollit ainsi la peinture, ce qui permet de la gratter facilement sans endommager la surface. Certaines peintures peuvent ramollir sans cloquer; d'autres peuvent devenir caoutchouteuses et certaines peuvent exiger une chaleur plus forte.

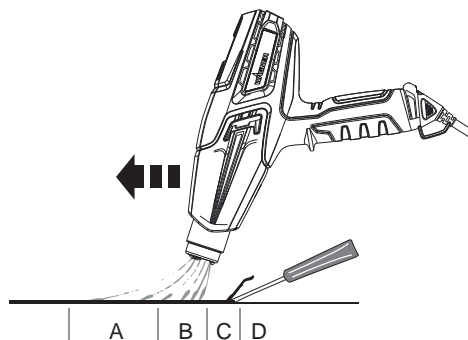
Lorsque le travail implique plusieurs couches de peinture, le processus de grattage sera accéléré si la surface est chauffée complètement jusqu'à atteindre le bois. Il est ainsi possible de gratter toutes les couches en une seule fois.

Une brosse métallique douce est peut-être le meilleur outil pour les surfaces très intriquées. La chaleur ne ramollit pas les peintures minérales et les apprêts tels que la peinture à base de ciment et la porcelaine; par conséquent, un outil chauffant sera inefficace pour le décapage de peinture.

La meilleure méthode de décapage de peinture

Déplacez le pistolet à air chaud, lentement et régulièrement, dans un mouvement vers l'avant en formant un angle avec la surface à traiter, en pointant la buse dans le sens du mouvement. Vous pouvez ainsi gratter la surface en toute sécurité à l'extérieur du flux d'air chaud tout en évitant une surchauffe de l'outil de grattage et de la surface grattée.

- A. L'air chaud préchauffe la surface.
- B. La peinture est amollie par l'air chaud.
- A + B. Pénétration profonde de la chaleur sur toute la surface.
- C. Dès que la peinture est ramollie, elle peut être facilement décapée et grattée au fur et à mesure de l'avancée du pistolet.
- D. La surface décapée peut refroidir.



Remarque : N'utilisez pas le pistolet à air chaud sur des surfaces que la chaleur peut endommager, comme des panneaux, bardages ou cadres de fenêtres recouverts de vinyle. L'utilisation du pistolet à air chaud pour le décapage de la peinture de cadres de fenêtre entraînera le ramollissement du mastic. Prenez soin de ne pas faire de trous dans le mastic avec le grattoir. Le mastic durcira à nouveau une fois refroidi. N'utilisez pas le pistolet à air chaud sur une vitre de fenêtre en laminé de verre isolant de type Thermopane. L'extension de meulage de bords de glace peut provoquer une rupture d'étanchéité des rives. Pour le décapage des parements, évitez de surchauffer les bords des bardeaux bitumés en saillie sur le bord du revêtement. Une chaleur trop forte ferait fondre le revêtement bitumé.

IMPORTANT: Le décapage de peinture à l'aide d'un pistolet à air chaud est une opération sans risque si les directives mentionnées ci-dessus sont respectées, mais il convient de toujours garder un récipient d'eau ou un extincteur de type ABC (pour incendies de classes A, B ou C) à portée de main.

Nettoyage et entretien

Veillez à ce que les ouvertures d'aspiration d'air restent propres et non obstruées. Utilisez une brosse douce et sèche pour nettoyer les ouvertures à intervalles réguliers. Utilisez uniquement du savon doux et un chiffon humide pour nettoyer le pistolet à air chaud. De nombreux produits de nettoyage courants contiennent des produits chimiques susceptibles d'endommager gravement le boîtier de l'appareil.

N'utilisez pas d'essence, d'essence de térébenthine, de diluant pour vernis ou peinture, de produits de nettoyage secs ou des produits similaires pendant le nettoyage du pistolet à air chaud.

ÉVITER IMPÉRATIVEMENT la pénétration de liquide à l'intérieur de l'appareil ou l'immersion d'une partie de l'appareil dans un liquide.

Le nettoyage et l'entretien ne doivent pas être effectués par des enfants.

Rangement

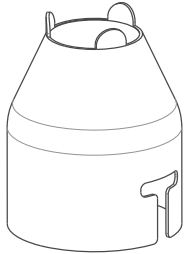
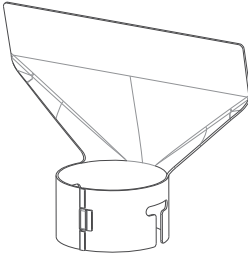
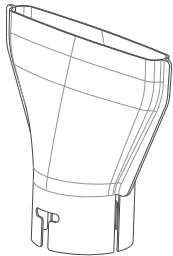

Laissez la buse du pistolet à air chaud refroidir à température ambiante avant de ranger le pistolet.

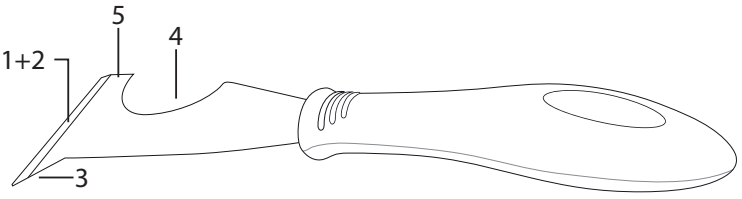
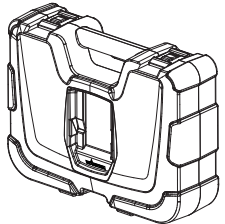
La buse deviendra plus foncée avec le temps en raison de la chaleur élevée. Cette coloration est normale et n'a aucune incidence sur le fonctionnement ou la durée de vie de l'outil.

Accessoires

Les accessoires suivants peuvent être fournis avec le pistolet à air chaud ou être achetés individuellement en visitant le site www.wagner-group.com/service.

Vous pouvez aussi consulter la dernière page du manuel pour obtenir les coordonnées du service après-vente le plus proche.

Dénomination	Description	Dénomination	Description
Buse jet concentré Réf. 2366222 	Dirige un flux de chaleur concentré sur la surface de travail. Idéale pour décaper la peinture dans les coins difficiles d'accès, les crevasses, les moulures normales et en demi-rond ou les chambranles.	Buse protection verre P/N2366224 	Dévie le jet de chaleur pour l'éloigner des surfaces en verre ou fragiles. Idéale pour les seuils, rebords, châssis de fenêtres et les plinthes.
Buse jet concentré large P/N2366223 	Dirige un jet de chaleur long et étroit sur la surface de travail. Idéale pour le décapage de peinture ou de vernis sur des surfaces grandes et plates, comme des plinthes, portes, escaliers, etc. Elle doit être utilisée en association avec un grattoir plat.	Buse réflecteur P/N2366225 	Diffuse le flux de chaleur uniformément autour de la surface de travail. Idéale pour dégeler des tuyaux gelés, les travaux de soudure, le cintrage de plastiques, ou les gaines électriques isolantes thermorétractables.

Dénomination	Description
 <p>Détails du grattoir 5-en-1 P/N2366227</p>	<p>Cet outil offre cinq fonctions. La lame sert à (1) gratter la peinture et à (2) étaler l'enduit. La gouge (3) sert à retirer le mastic/calfeutrage dans les fissures ouvertes. La zone convexe (4) sert à nettoyer les garnitures de rouleaux. La partie plate (5) peut servir à ouvrir les boîtes de peinture.</p>
 <p>Mallette de transport P/N2366226</p>	<p>La mallette de transport du pistolet à air chaud avec AngleLoc a été spécialement conçue pour placer le pistolet à air chaud en position verticale pour le travail sur des surfaces inégales.</p>

IMPORTANT : Portez toujours des gants lorsque vous utilisez le pistolet à air chaud.

Pour fixer un élément optionnel sur le pistolet à air chaud :

1. Posez le pistolet à air chaud en position verticale sur une surface plane et attendez que l'embout ait refroidi.
2. Placez l'élément sur l'embout du pistolet à air chaud et appuyez fermement dessus avec la main pour le mettre en place.

Pour retirer un élément optionnel du pistolet à air chaud :

1. Posez le pistolet à air chaud en position verticale sur une surface plane et attendez que l'embout ait refroidi.
2. Tirez sur l'élément pour le dégager de l'embout.

Enregistrement du produit

Enregistrez votre produit en ligne sur le site www.wagner-group.com/3plus1 pour obtenir votre garantie supplémentaire de 1 an.

Garantie de 3+1 ans

La garantie est valide pour une durée de trois ans à compter de la date de vente de l'appareil (justificatif d'achat). La période de garantie est prolongée de 12 mois supplémentaires si l'appareil est enregistré en ligne dans les quatre semaines suivant son achat, en accédant au site www.wagner-group.com/3plus1. L'enregistrement n'est possible que si l'acquéreur atteste les données saisies pendant l'enregistrement. La garantie couvre uniquement la rectification gratuite des défaillances qui sont manifestement imputables à des vices de fabrication ou à des erreurs d'assemblage ; ou le remplacement sans frais des pièces défectueuses. L'utilisation et/ou la mise en service incorrecte, ainsi que les travaux de montage et/ou de réparation qui ne figurent pas dans nos instructions d'utilisation, excluent toute responsabilité. Les pièces d'usure sont également exclues de la garantie. La garantie exclut un usage commercial. Nous nous réservons formellement la fourniture de la garantie. La garantie est exclue si l'appareil a été ouvert par des personnes ne faisant pas partie du personnel du service technique de WAGNER. Les dommages dus au transport, les travaux d'entretien, ainsi que la perte et les dommages dus à des travaux d'entretien incorrects, ne sont pas couverts par la garantie. La demande de garantie ne peut être traitée que contre présentation du bon de caisse d'origine. Dans la mesure légale, la société WAGNER ne peut être tenue responsable de dommages corporels, matériels ou immatériels, en particulier si l'outil est utilisé à des fins non prévues dans les instructions d'utilisation, si la mise en service et les réparations n'ont pas été exécutées conformément aux instructions de service et/ou si les réparations ont été effectuées par une personne non spécialisée. Nous nous réservons le droit d'effectuer à l'usine toutes les réparations qui dépasseraient le

cadre de celles décrites dans nos instructions d'utilisation. Nous vous prions d'adresser vos demandes de garantie ou de réparation à votre point de vente. La présente garantie n'affecte pas vos droits prévus par la loi.

INFORMATIONS SUR L'ÉLIMINATION DES DÉCHETS DES ÉQUIPEMENTS ÉLECTRIQUES ET ÉLECTRONIQUES (DEEE)



L'appareil, y compris ses accessoires et son emballage, doit être recyclé dans le respect de l'environnement. Ne pas jeter l'appareil dans les ordures ménagères. Protégez l'environnement et amener dès lors l'appareil à un point de recyclage local ou renseignezvous auprès de votre commerçant spécialisé.

CE Déclaration de conformité

Nous déclarons sous notre responsabilité que ce produit est en conformité avec les réglementations suivantes:

2014/35/EU, 2014/30/EU, 2011/65/EU, 2012/19/EU

En normative dokumenten:

EN 60335-1, EN 60335-2-45, EN 55014-1, EN 55014-2, EN 61000-3-2, EN 61000-3-3, EN 62233

La déclaration de conformité UE est jointe à ce produit. Elle peut être commandée au besoin sous le numéro de commande **2389336**.



Belangrijke veiligheidsinformatie • Lees alle veiligheidsinformatie voordat u de apparatuur in gebruik neemt. Bewaar deze instructies

Om het risico op brand of explosies, elektrische schokken en lichamelijk letsel te verkleinen, dient u alle instructies in deze handleiding te lezen en te begrijpen. Maak uzelf vertrouwd met de bediening en het correcte gebruik van de apparatuur.



Geeft een gevaarlijke situatie aan die, als deze niet vermeden wordt, dodelijk of ernstig letsel kan veroorzaken.

GEVAAR: GIF

Er moet extreem voorzichtig te werk worden gegaan bij het strippen van verf. De schilfers, resten en dampen van verf kunnen lood bevatten, dat giftig is. Verf die voor 1950 op huizen aangebracht is bevat waarschijnlijk lood. Verf die voor 1977 geproduceerd is kan lood bevatten. Als de verf is aangebracht op oppervlakken kan hand-naar-mond contact leiden tot de inname van lood. Blootstelling, zelfs aan lage doses, kan leiden tot onherstelbare schade aan hersenen en het zenuwstelsel. Jonge en ongebooren kinderen zijn met name kwetsbaar voor loodvergiftiging.

Voordat u begint met het verwijderen van verf moet u bepalen of de verf die u verwijdert lood bevat. Dit kan via een plaatselijke gezondheidsambtenaar of door een professional die een verf-analysator gebruikt om het loodgehalte te controleren van de verf die verwijderd moet worden. Loodgebaseerde verf mag alleen verwijderd worden door een professional en mag niet verwijderd worden met een hittepistool.

PREVENTIE:

Verplaats het werkstuk naar buiten, beschut tegen regen. Als dit niet mogelijk is moet de werkplek goed geventileerd zijn. Open de ramen en plaats een afzuigventilator in één van de ramen. Zorg ervoor dat de ventilator de lucht van binnen naar buiten verplaatst.

- Verwijder of bedek vloerkleden, tapijt, meubels, kleding, kookgerei en luchtkanalen.

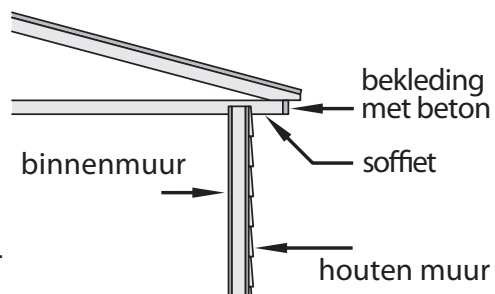
- Plaats afdekzeil in het werkgedeelte om verfsnippers of -schilfers op te vangen. Draag beschermende kleding zoals extra werkshirts, overalls en petten.
- Werk in één ruimte per keer. Meubilair moet verplaatst of in het midden van de ruimte geplaatst en afgedekt worden. Werkplekken moeten afgesloten van de rest van de woning worden door deuropeningen af te sluiten met afdekzeil.
- Draag een geschikt adembeschermingsstofmasker of een adembeschermingsmasker met duaal filter voor stof en dampen. Deze maskers en vervangbare filters zijn verkrijgbaar bij alle grote ijzerwinkels. Zorg ervoor dat de maskers goed zitten. Baarden en gezichtsbeharing kunnen ervoor zorgen dat de maskers niet goed afsluiten. Vervang de filters regelmatig. Papieren wegwerpmaskers zijn niet geschikt.
- Wees voorzichtig tijdens het gebruik van het hittepistool. Blijf het hittepistool bewegen, want overtollige hitte genereert dampen die ingeademd kunnen worden door de gebruiker.
- Houd eten en drinken buiten bereik van de werkplek. Was handen, armen en gezicht en spoel de mond voordat u eet of drinkt. Rook niet en kauw geen kauwgum of tabak op de werkplek.
- Ruim alle verwijderde verf en stof op door de vloeren nat te dweilen. Gebruik een vochtige doek om alle muren, vensterbanken en andere oppervlakken te reinigen waar verfstof is blijven zitten. Niet vegen, ontstoffen of stofzuigen. Gebruik een hoogfosfaatreinigingsmiddel met natriumfosfaat om plekken te reinigen en te dweilen.
- Na elke werkbeurt moeten verfsnippers en -schilfers in een dubbele plastic zak geplaatst worden en moet de zak met tape afgesloten of dichtgeknoopt worden en correct verwijderd worden.
- Verwijder beschermende kleding en werkschoenen op de werkplek, zodat voorkomen wordt dat stof naar de rest van het gebouw overgedragen wordt. Was werkkleding afzonderlijk. Veeg schoenen af met een natte doek en was ze daarna met de werkkleding. Was haren en lichaam grondig met water en zeep.

GEVAAR: EXPLOESIE OF BRAND

Dit hittepistool genereert extreem hoge temperaturen (maximaal 600°C). Het moet voorzichtig gebruikt worden om te voorkomen dat brandbaar materiaal ontvlamt.

PREVENTIE:

- Beweeg het hittepistool voortdurend. Niet stoppen of stilhouden op een plek.
- Wees extreem voorzichtig als de andere kant van het materiaal dat afgekrabt wordt niet toegankelijk is, zoals houten muren. De verborgen kant zou vlam kunnen vatten als deze te heet wordt. Sommige gebouwen bevatten licht ontvlambare materialen achter houten muren, vloeren, bekledingen met beton, soffieten borden en andere panelen. Controleer deze gedeeltes voordat hitte aangebracht wordt en gebruik geen hittegereedschap als er ontvlambare materialen aanwezig zijn of als u niet weet wat het verborgen materiaal is.
- Niet gebruiken in de buurt van oppervlakken met scheuren of in de buurt van metalen buizen of voeglood. Hitte kan achter het werkopervlak geleid worden en verborgen materiaal ontsteken. De ontsteking van verborgen materialen wordt misschien niet direct duidelijk en kan leiden tot schade aan het gebouw en lichamelijk letsel.
- Gebruik elektrische gereedschappen niet in de buurt van ontvlambare vloeistoffen of gassen.
- Niet gebruiken in de buurt van ontvlambare materialen zoals droog gras, bladeren en papier dat kan schroeien en vlam vatten.
- Het mondstuk wordt zeer heet. Laat het hittepistool niet liggen op ontvlambare oppervlakken tijdens het gebruik van het pistool of direct na het uitschakelen van het pistool. Plaats het pistool altijd op een vlak, effen oppervlak zodat de mondstukkop omhoog gericht staat en weg van het ondersteunende oppervlak.
- Raak het mondstuk niet aan voordat het gereedschap is afgekoeld.
- Gebruik het hittepistool niet als haardroger.
- Gereedschappen en afgekrabde verf worden zeer heet. Om verbrandingen te voorkomen moeten werkhandschoenen en oogbescherming tijdens het afkrabben gedragen worden.



- Gebruik het hittepistool net zo voorzichtig als open vuur.
- Niet gebruiken in een explosieve atmosfeer.

GEVAAR: ELEKTRICITEIT

Kan schade aan het gebouw, ernstig of dodelijk letsel veroorzaken.

PREVENTIE:

- Haal het hittepistool niet uit elkaar.
- Werk niet in natte bereiken en stel het hittepistool niet bloot aan regen of vocht.
- Beschermen tegen elektrische schok door het voorkomen van lichaamscontact met geaarde oppervlakken zoals buizen, radiatoren, fornuizen, aluminium ladders of andere geaarde apparaten.
- Gebruik het netsnoer niet verkeerd. Draag het hittepistool nooit aan het netsnoer en trek nooit aan het netsnoer om de stekker uit het stopcontact te halen. Houd het netsnoer buiten bereik van hitte, olie en scherpe randen. Controleer het netsnoer regelmatig op slijtage of beschadiging.
- Als een verlengsnoer beschadigd of anders ongeschikt is voor gebruik, vervang het door een nieuw verlengsnoer.

GEVAAR: ALGEMEEN

Kan schade aan het gebouw of ernstig letsel veroorzaken.

PREVENTIE:

- Trek de stekker van het hittepistool altijd uit het stopcontact als het niet in gebruik is. Binnenshuis op een droge plek en buiten bereik van kinderen bewaren.
- Houd uw werkplek goed verlicht en schoon.
- Niet te ver reiken, vooral niet als er op een ladder wordt gewerkt. Zorg er altijd voor dat u goed staat en dat u uw evenwicht kunt bewaren. Zorg ervoor dat de gebruikte ladders stevig en stabiel zijn en dat ze op stevige ondergrond en in een veilige werkhoeek rechtop staan.
- Vermijd elektrische leidingen.
- Houd beweegbare voorwerpen vergrendeld en stabiel tijdens het afkrabben.
- Draag altijd oogbescherming tijdens de werkzaamheden.
- Blijf alert en gebruik uw gezond verstand als u een gereedschap gebruikt.
- Nooit gebruiken om bevroren buizen in muren of in de buurt van ontvlambare materialen te ontdooien. Gebruik altijd het reflectormondstuk (P/N2366225) om bevroren buizen te ontdooien.

- Laat het hittepistool niet onbeheerd als het ingeschakeld is.
- Dit toestel kan worden gebruikt door kinderen van 8 jaar en ouder alsook door personen met verminderde fysieke of geestelijke vermogens en een verminderd waarnemingsvermogen en personen met minder ervaring of kennis indien zij worden begeleid of zijn geïnstrueerd in het veilige gebruik van het toestel en de gevaren begrijpen. Kinderen mogen niet spelen met het toestel.
- Houd het apparaat en snoer buiten bereik van kinderen.

HOOFDNETAANSLUITING

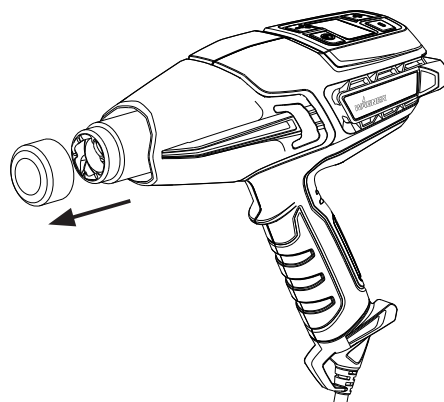
Het hittepistool wordt geleverd met een netsnoer. Vervang een beschadigd netsnoer met een nieuw netsnoer om veiligheidsrisico's te voorkomen. Neem voor een vervangend netsnoer contact op met de klantenservice van Wagner.

NEEM BIJ TWIJFEL CONTACT OP MET EEN GEKWALIFICEERDE ELEKTRICIEN.

WAARSCHUWING - Gebruik een verlengsnoer dat geschikt is voor de stekker op het product. Zorg dat uw verlengsnoer in goede conditie is. Zorg er bij gebruik van een verlengsnoer voor dat het verlengsnoer sterk genoeg is om het voltage te bieden dat uw product nodig heeft. Een kabel die niet sterk genoeg is, zal het beschikbare voltage doen verlagen waardoor er minder kracht en oververhitting plaatsvindt. Er is minimaal een geharmoniseerd H05RR-F 3 x 1.0sq mm rubberen type snoer nodig voor algemeen gebruik.

Beschermkap

WAARSCHUWING - Plastic kap verwijderen en wegleggen voor gebruik van het hittepistool.



Het hittepistool gebruiken

Algemene beschrijving

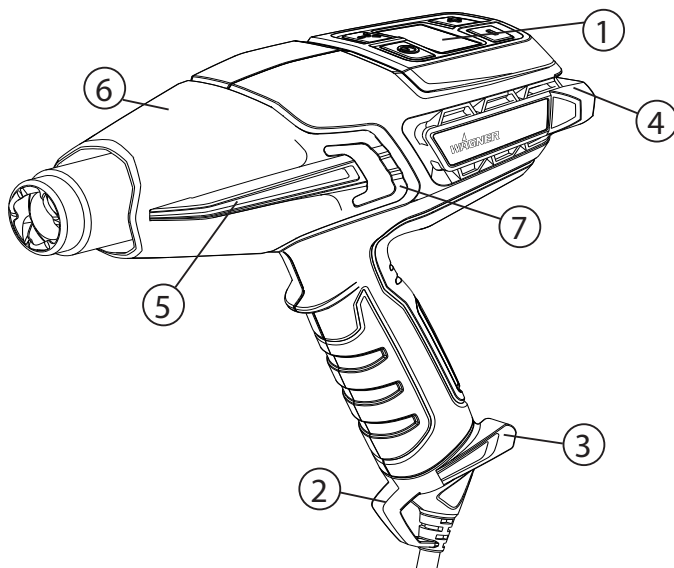
Dit hittepistool is een hoogwaardig elektrisch gereedschap. Zoals elk ander elektrisch gereedschap kan het gereedschap gevaarlijk zijn als het verkeerd gebruikt wordt. Lees de volgende aanwijzingen zorgvuldig door en volg alle veiligheidsmaatregelen op. De eigenaar van het hittepistool is verantwoordelijk voor het correcte gebruik.

Specificaties

Behuizing	Gemaakt van high-impact corrosie- en hittebestendige polymeren
Wattage	2000 Watt op HOOG, 150 Watt op LAAG
Voltage	220 - 240 V a.c.
Frequentie	50 - 60Hz
Hitte-afgifte	Ca. 600 °C op HOOG, ca. 60 °C op LAAG
Gewicht	0,9 kg

Eigenschappen afb. 1

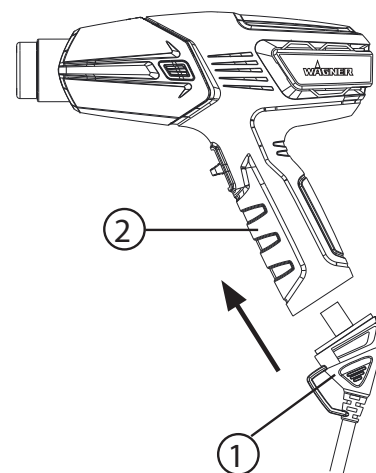
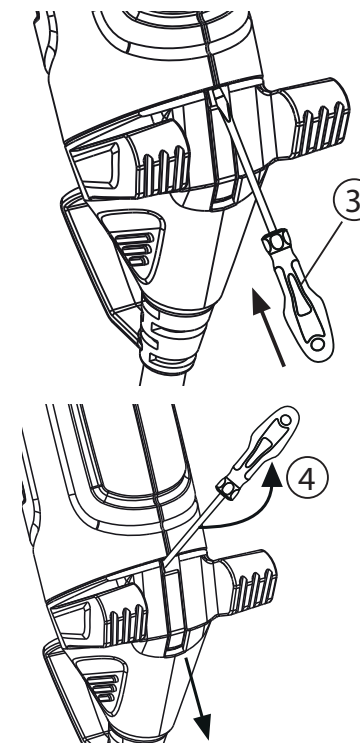
- 1) Bedieningspaneel - temperatuur en ventilatorsnelheid
- 2) Ophanghaak
- 3) Netsnoer met geïntegreerde stabilisators (verwijderbaar met gereedschap)
- 4) Achterstabilisators (rechttop-stand)
- 5) Zijstangen om te voorkomen dat het mondstuk oppervlakken raakt
- 6) Mondstukhitteschild

Afb. 1**Loopafdekking verwijderen**

De loopafdekking kan verwijderd worden als er gewerkt wordt bij moeilijk te bereiken plekken. **WEES VOORZICHTIG MET HET MONDSTUK.** Verhoogd risico op brandwonden bij werkzaamheden zonder de loopafdekking. Gebruik een kleine platte schroevendraaier om de klep (Afb. 1, 7) over het verhoogde gedeelte te tillen om de loopafdekking te verwijderen.

De kabelset plaatsen en verwijderen

Het netsnoer (afb. 2, 1) voor het hittepistool wordt los van het pistool geleverd (afb. 2, 2). Om te bevestigen, breng het snoer met de aansluiting bij het handvat van het pistool en druk stevig tegen elkaar tot u een klik hoort. Het netsnoer hoeft niet verwijderd te worden. Als de kabelset moet worden verwijderd, steek dan een kleine platte schroevendraaier (afb. 2, 3) of een vergelijkbaar gereedschap in het gat zoals te zien op de afbeelding. Gebruik de schroevendraaier als hendel en druk hem naar boven (4) in de richting van de handgreep om de kabelset los te maken. Trek het netsnoer stevig van het pistool.

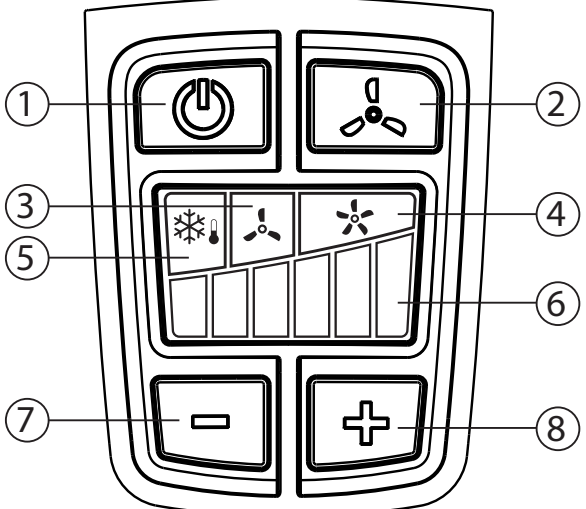
Afb. 2**Plaatsen****Verwijderen**

Touchpad-bedieningspaneel

Het hittepistool biedt een breed temperatuurbereik aan waaruit u kunt kiezen, afhankelijk van het soort project. Temperatuur kan geregeld worden via het bedieningspaneel.

Temperatuurleidraad LED display

Omschrijving afb. 3	
1) Aan/Uit-knop: Schakelt het hittepistool AAN en UIT of schakelt het naar de afkoelmodus	2) Moduskiezer: Stelt het temperatuurbereik en luchtstroomsnelheid in die u gebruikt
3) Modusindicator: Lage luchtstroom / laag temperatuurbereik (zie afb. 4, a)	4) Modusindicator: Hoge luchtstroom / hoog temperatuurbereik (zie afb. 4, b)
5) Afkoelen	6) Temperatuurindicator: Geeft de huidige instelling hitte-afgifte weer (zie afb. 4)
7) Temperatuurkiezer: Verlaagt temperatuur (-)	8) Temperatuurkiezer: Verhoogt temperatuur (+)

Afb. 3


Omschrijving afb. 4a & 4b

Luchtstroommodus:
LAAG

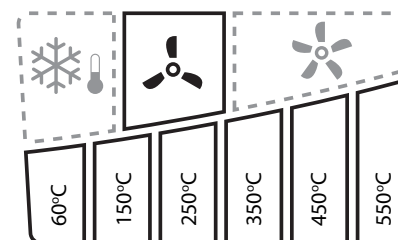
Temperatuurbereik:
60 °C - 550 °C

Cyclustemperaturen:
Zie afb. 3, (7 & 8)

_____ = verlicht

- - - - - = niet verlicht

Afb. 4a



Luchtstroommodus:
HOOG

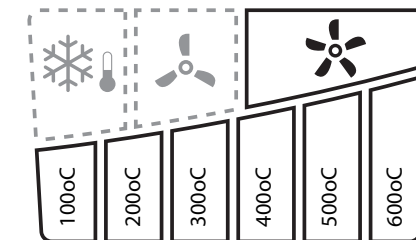
Temperatuurbereik:
100 °C - 600 °C

Cyclustemperaturen:
Zie afb. 3, (7 & 8)

_____ = verlicht

- - - - - = niet verlicht

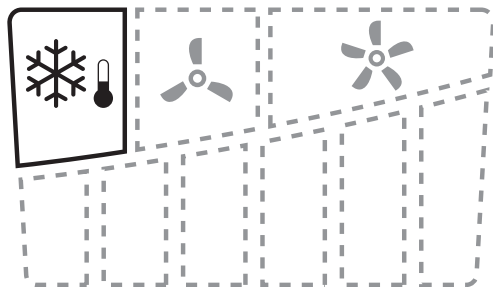
Afb. 4b



Afkoelmodus

Tijdens pauzes of als u klaar bent met uw project, moet de Aan/Uit-knop ingedrukt worden om naar de afkoelmodus te gaan (afb. 5). Het blauwe afkoelindicatorlampje brandt en het pistool blijft lopen met het uitgeschakelde element, om af te koelen.

Afb. 5



Beginnen



Lees altijd de veiligheidsinformatie van deze handleiding door voordat het hittepistool gebruikt wordt.

1. Steek de stekker van het hittepistool in een standaard stopcontact.
2. Schakel het hittepistool in door de Aan/Uit-knop op het bedieningspaneel in te drukken (afb. 3, 1). Als het pistool ingeschakeld is, wordt het automatisch ingesteld in het lage temperatuurbereik (afb. 4, a) op 60 °C en een lage luchtstroominstelling.
3. Als u door wilt gaan binnen het lage temperatuurbereik, druk op de plus- of min-knop op het touchpad tot de gewenste temperatuurinstelling is geselecteerd. Dit wordt aangegeven doordat de temperatuurbalk verlicht wordt.
4. Als u door wilt gaan binnen het hoge temperatuurbereik en de hoge luchtstroominstelling, moet de moduskiezer-knop (Afb. 3, 2) eenmaal ingedrukt worden. Het indicatorlampje voor het hoge temperatuurbereik gaat branden. U kunt nu op de plus- of min-knop op het bedieningspaneel drukken totdat de gewenste temperatuurinstelling bereikt is. Dit wordt aangegeven doordat de temperatuurbalk verlicht is.

BELANGRIJK: Als de ventilatormotor in het hittepistool niet ingeschakeld wordt als de AAN/UIT-knop is geactiveerd, moet de knop direct worden UITGESCHAKELD. Het hitte-element brandt door als het niet afgekoeld wordt door de ventilator.

5. Tijdens pauzes of als u klaar bent met uw project, moet de Aan/

Uit-knop ingedrukt worden om naar de afkoelmodus te gaan (afb. 5). Het blauwe afkoelindicatorlampje brandt en het pistool blijft lopen met het uitgeschakelde element, om af te koelen.

6. Zet het pistool in een verticale positie. Het hittepistool wordt na 3 minuten uitgeschakeld.
7. Om de afkoelmodus op te heffen moet de Aan/Uit-knop 2-3 seconden ingedrukt worden. Het pistool wordt direct uitgeschakeld.



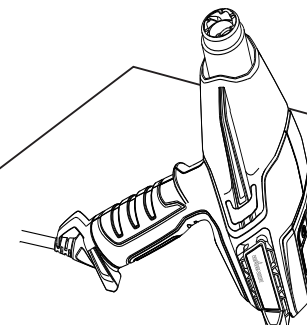
BELANGRIJK: Na de afkoelmodus is de loop van het hittepistool nog steeds heet.

Opmerking: Er kan rook ontstaan bij het eerste keer starten door het verbranden van productie-olie. De rook zal kort na het eerste keer starten verdwijnen.

Hands-free bediening afb. 6

Het hittepistool heeft een geïntegreerde stand (afb. 1, 4) voor benchtop applicaties en voor afkoelen. Het hittepistool heeft ook een draagkoffer (afb. 7) die specifiek ontworpen is om het hittepistool rechtop te plaatsen voor werkzaamheden op oneffen oppervlakken.

Afb. 6

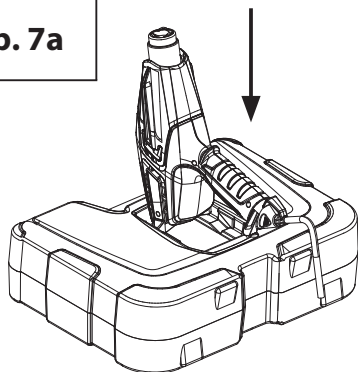


AngleLoc (draagkoffer)* afb. 7a & 7b

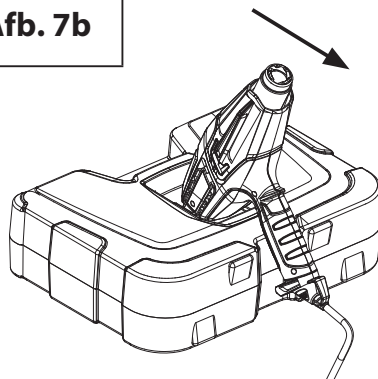
A: Plaats de achterkant van het hittepistool zo, zodat de achterstabilisators zichzelf onder de richels van de openingen op de zijwand bovenin de draagkoffer positioneren.

B: Schuif het hittepistool vervolgens naar voren, zodat het op z'n plek in een hoek van 135 graden vergrendeld wordt. Het hittepistool is nu veilig voor rechtopstaand gebruik.

Afb. 7a



Afb. 7b



*AngleLoc draagkoffer is afzonderlijk verkrijgbaar. Zie pagina 51

BELANGRIJK: Als de motoraangedreven ventilator in het hittepistool niet ingeschakeld wordt als de knop op LAAG of HOOG wordt gezet, moet de knop direct worden UITGESCHAKELD. Het hitte-element brandt door als het niet afgekoeld wordt door de motoraangedreven ventilator.

Opmerking: Zet het hittepistool altijd rechtop nadat het is uitgeschakeld, voor een korte pauze of voor opslag. Voorkom dat het toestel op de zijkant gelegd wordt nadat het is uitgeschakeld. De hitte blijft in het toestel en het afkoelen duurt langer. Sla het toestel alleen op nadat het mondstuk is afgekoeld. Trek de stekker van het toestel uit het stopcontact om onbedoeld inschakelen te voorkomen.

BELANGRIJK: Bij werkzaamheden in de buurt van ramen moet het glas altijd beschermd worden.



Raak het mondstuk of een ander gereedschap dat in gebruik is nooit aan tijdens de werkzaamheden. Deze worden extreem heet en veroorzaken ernstige brandwonden. Draag handschoenen om handen te beschermen tegen het hete afgekrabde materiaal.

Veel oorzaken zijn van invloed op verhittingstoepassingen, zoals het materiaal dat verhit wordt, omgevingstemperatuur, de afstand van pistool tot het substraat en de verhittingstechniek. Om deze reden heeft Wagner temperatuurrichtlijnen voor bepaalde toepassingen. Start het hittepistool altijd op de laagste temperatuur in het bereik en verhoog de temperatuur vervolgens tot de optimale temperatuur is bereikt. Houd het hittepistool altijd in beweging en minimaal op 5 cm van het substraat als hitte wordt aangebracht.

Het F500 hittepistool is een van de meest veelzijdige gereedschappen. Het kan gebruikt worden voor veel verschillende projecten, van grote doe-het-zelf- tot kleine handwerkprojecten. Bezoek onze website www.wagner-group.com voor meer informatie over meerdere projecten en instructievideo's

Gebruik		Hitte	Opties mondstukkop
Doe-het-zelf	Strippen van verf	HOOG	Concentrator of Breed
	Muurreparatie	LAAG	Open (geen kop)
	Verf drogen	LAAG	Open (geen kop)
	Lijm zacht maken om vloertegels te verwijderen	LAAG	Brede concentrator
	Buigen van plastic, plexiglas, formica	LAAG/ HOOG	Reflectormondstuk
	Verwijderen van formica en linoleum	LAAG	Brede concentrator
	Zacht maken van verf, breuwing en plamuur voor eenvoudiger verwijderen	HOOG	Concentrator of Brede concentrator
	Verwijderen van vernis	LAAG-MED	Brede concentrator
	Krimpen van plastic laag voor verpakken of weerbestendig maken	LAAG	Brede concentrator
	Kleine werkzaamheden (inclusief reparatie)	Lossen van vastgeroeste moeren, bouten en fittingen	HOOG
Jeans repareren		LAAG	Brede concentrator
Onkruid verbranden		HOOG	Concentrator
Lijm verwijderen		LAAG	Open (geen kop)

Gebruik		Hitte	Opties mondstukkop
	Ski's/snowboard waxen	LAAG	Brede concentrator
	Glasvezelwerkzaamheden	HOOG	Concentrator of Breed
	Buizen en sloten ontdooien	LAAG	Reflectormondstuk
	Aansteken van een barbecue	HOOG	Concentrator / BBQ kop
	Hittekrimpen van buizen/koppelstukken	LAAG-MED	Reflectormondstuk
	Beton verhitten voor reparatie	LAAG/ HOOG	Concentrator
	Koelkast/vriezer ontdooien	LAAG	Open (geen kop)
	Handwerk	Kaarsen maken	LAAG
Zeeppap maken		LAAG	Open (geen kop)
In krimpfolie verpakken van cadeautjes		LAAG	Open (geen kop)
Schuimrubber vormen		LAAG	Open (geen kop)
Versieren van koekjes		LAAG/ HOOG	Open (geen kop)
Automotive	Verwijderen van stickers, emblemen en plakplaatjes	LAAG	Open (geen kop)
	Verwijderen van deuken	HOOG	Open (geen kop)

Gebruik		Hitte	Opties mondstukkop
	Verwijderen van verf	HOOG	Concentrator of Breed
	Aanbrengen en verwijderen van raamverduistering	LAAG	Open (geen kop)
	Herstellen van bumpers	HOOG	Open (geen kop)
Elektronica	Smartphone- & tablet-reparatie	LAAG	Concentrator
	PlayStation- en Xbox-reparatie	LAAG	Concentrator

Strippen van verf

Het hittepistool verhit het oppervlak en zorgt ervoor dat de verf zacht wordt en eenvoudig afgekrabt kan worden zonder het oppervlak te beschadigen. Sommige verf kan zachter worden zonder dat het bladdert; sommige verf wordt rubberachtig, en voor sommige verf is meer hitte nodig.

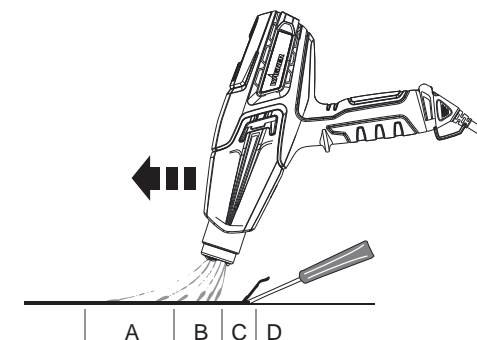
Als er met meerdere verflagen gewerkt wordt, wordt het afkrabproces versnelt door het oppervlak grondig te verhitten, helemaal tot op het hout. daarna kunnen alle lagen in één keer afgekrabt worden.

Een zachte draadborstel is het beste gereedschap voor gebruik bij zeer complexe oppervlakken. Minerale verf en finish, zoals cementverf en porselein, worden niet zacht door hitte, dus werkt hittegereedschap niet voor het verwijderen van verf.

De beste methode voor het verwijderen van verf

Beweeg het hittepistool langzaam en gelijkmatig naar voren in een hoek t.o.v. het oppervlak, waarbij het mondstuk in de richting van de beweging staat. Daardoor kan veilig buiten de hete luchtstroom afgekrabt worden en blijft de krabber en het afgekrabde oppervlak koeler.

- A. Warme lucht verwarmt het oppervlak voor.
- B. Verf wordt zacht gemaakt door hete lucht.
- A + B. Diepe penetratie van hitte over het gehele gebied.
- C. Verf kan eenvoudig afgekrabt worden zodra het zacht gemaakt is en het pistool verder is gegaan.
- D. Gestript oppervlak laten afkoelen.



Opmerking: Gebruik het hittepistool niet op oppervlakken die beschadigd kunnen worden door hitte, zoals vinylgecoate paneelwerken, vinylgecoate houten muren of vinylgecoate raamkozijnen. Bij het verwijderen van verf van raamkozijnen maakt het hittepistool het plamuur zacht. Zorg ervoor dat u het plamuur niet uitsmeert met de krabber. Het plamuur wordt stevig na afkoelen. Gebruik het hittepistool niet op dubbel glas zoals thermopane. De glasrandexpansie kan de randsealing breken. Bij het afkrabben van bekledingen met beton moeten de randen van de asfaltkiezels die over de rand van het bodembeslag uitsteken niet oververhit worden. Door te veel hitte zal het asfalt smelten.

BELANGRIJK: Het verwijderen van verf met een hittepistool is veilig als de bovenstaande richtlijnen worden toegepast, maar houd altijd een jerrycan water of een ABC-brandblusser (geschikt voor klasse A-, B- en C-branden) binnen handbereik.

Reinigen en onderhoud

Houd de inlaatopeningen van de behuizing schoon en vrij van obstakels. Gebruik een zachte, droge borstel om de openingen regelmatig te reinigen. Gebruik alleen milde zeep en een vochtige doek om het hittepistool te reinigen. Veel schoonmaakmiddelen bevatten chemicaliën die de behuizing ernstig kunnen beschadigen.

Gebruik geen benzine, terpentine, lak of verfverdunner, vloeistoffen voor chemisch reinigen of soortgelijke producten voor het reinigen van het hittepistool.

NOOIT vloeistoffen in het gereedschap laten komen en geen enkel onderdeel van het gereedschap in vloeistof dompelen.

Reinigen en gebruikersonderhoud mag niet uitgevoerd worden door kinderen.

Opslag

Laat het hittepistool afkoelen tot kamertemperatuur voordat u het opbergt.

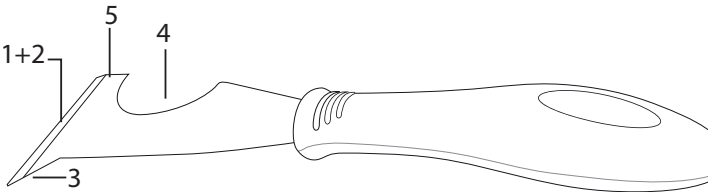
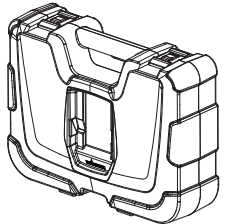
Het mondstuk wordt na verloop van tijd donker vanwege de hoge hitte. Dit is normaal en is niet van invloed op de prestaties of levensduur van het toestel.

Accessoires

De volgende accessoires kunnen meegeleverd zijn met het hittepistool of kunnen afzonderlijk gekocht worden op www.wagner-group.com/service.

Zie ook de achterkant van uw handleiding voor uw dichtstbijzijnde servicecentrum.

Naam		Beschrijving	Naam		Beschrijving
Concentratormondstuk P/N2366222		Richt een geconcentreerde hittestroom naar het werkkoppervlak. Ideaal voor het verwijderen van verf in moeilijke hoeken, spleten, spuitgietsstukken, lijstwerken of ribben.	Glasbeschermingsmondstuk P/N2366224		Leidt hitte weg van glas of andere breekbare oppervlakken. Ideaal voor vensterbanken, richels, kozijnen en plinten.
Breed concentratormondstuk P/N2366223		Richt een lang, smal hittepatroon naar het werkkoppervlak. Ideaal voor het verwijderen van verf of vernis van grote, vlakke oppervlakken zoals plinten, deuren, trappen, etc. Deze moet samen gebruikt worden met een vlakke krabber.	Reflectormondstuk P/N2366225		Verspreidt de hittestroom gelijkmatig over het hele werkkoppervlak. Ideaal voor het ontdooien van bevroren buizen, solderen van buizen, buigen van plastic of hittekrimpen van elektrische isolatiebuizen.

Naam	Beschrijving
 <p>5-in-1 afkrabgereedschap P/N2366227</p>	<p>Dit gereedschap heeft 5 functies. Het mest wordt gebruikt (1) om verf af te krabben en (2) compound te verspreiden. De steekbeitelpunt (3) wordt gebruikt bij het verwijderen van plamuur/breeuwing van open scheuren. Het gebogen gedeelte (4) wordt gebruikt om rolafdekkingen te reinigen. De platte kant (5) kan gebruikt worden om verfblikken te openen.</p>
 <p>Draagkoffer P/N2366226</p>	<p>De hittepistool-draagkoffer met AngleLoc is specifiek ontworpen is om het hittepistool rechtop te plaatsen voor werkzaamheden op oneffen oppervlakken.</p>

BELANGRIJK: Draag altijd handschoenen bij gebruik van het hittepistool.

Om een optioneel item op het hittepistool te bevestigen:

1. Zet het hittepistool verticaal op een effen oppervlak en wacht tot de kop afgekoeld is.
2. Plaats het item bovenop de kop van het hittepistool en druk het goed op z'n plek met de hand.

Om een optioneel item van het hittepistool te verwijderen:

1. Zet het hittepistool verticaal op een effen oppervlak en wacht tot de kop afgekoeld is.
2. Trek het item van de kop.

Productregistratie

Registreer uw product online op www.wagner-group.com/3plus1 om in aanmerking te komen voor 1 jaar extra garantie.

3+1 jaar garantie

De garantieperiode is drie jaar, vanaf de datum van aankoop (aankoopbewijs). De garantie wordt verlengd met nog eens 12 maanden als het toestel online binnen 4 weken na aankoop geregistreerd wordt op www.wagner-group.com/3plus1. Registratie is alleen mogelijk als de koper akkoord gaat dat de gegevens opgeslagen worden die ingevoerd worden bij de registratie. De garantie dekt en is beperkt tot kosteloze reparatie van fouten die aantoonbaar veroorzaakt zijn door het gebruik van defecte materialen in de productie, of montagefouten; of kosteloze vervanging van de defecte onderdelen. De garantie strekt zich niet uit tot onjuist gebruik of ingebruikname of montage- of reparatiewerkzaamheden die niet worden vermeld in onze bedieningsinstructies. Slijtende onderdelen zijn eveneens uitgesloten van de garantie. De garantie strekt zich niet uit tot commercieel gebruik. We behouden ons nadrukkelijk het recht voor om de garantie uit te voeren. De garantie vervalt indien het apparaat wordt geopend door andere personen dan het onderhoudspersoneel van Wagner. Transportschade, onderhoudswerkzaamheden en verlies en schade als gevolg van gebrekkig onderhoud vallen niet onder de garantie. Bij elke garantieclaim moet de aankoop van het werktuig worden aangetoond door het overleggen van de originele aankoopbon. Voor zover dit juridisch mogelijk is, wijzen we elke aansprakelijkheid af voor letsel, schade of indirect verlies, met name indien het werktuig is gebruikt voor een doel dat niet wordt vermeld in de gebruiksinstructies, in gebruik wordt genomen of gerepareerd in strijd met onze gebruiksinstructies of wordt gerepareerd door iemand die niet gekwalificeerd is. We behouden ons het recht voor om meer reparaties uit te voeren dan wordt vermeld in onze gebruiksinstructies. Neem voor garantieverlening of reparaties contact

op met het verkooppunt. Deze garantie heeft geen gevolgen voor uw wettelijke rechten.

INFORMATIE OVER HET VERWIJDEREN VAN ELEKTRISCHE & ELEKTRONISCHE APPARATUUR, OOK BEKEND ALS WEEE



Het toestel met toebehoren en verpakking moet milieuvriendelijk gerecycled worden. Deponeer het apparaat niet bij het huisvuil. Bescherm het milieu en lever het apparaat in bij een lokaal inzamelpunt of informeer bij de winkel.

CE conformiteitsverklaring

Wij verklaren dat dit product voldoet aan de volgende normen: 2014/35/EU, 2014/30/EU, 2011/65/EU, 2012/19/EU

En normatieve documenten

EN 60335-1, EN 60335-2-45, EN 55014-1, EN 55014-2, EN 61000-3-2, EN 61000-3-3, EN 62233

De EU-conformiteitsverklaring wordt met het product meegeleverd. Indien nodig kan de verklaring met bestelnummer **2389336** worden nabesteld.



Informazioni importanti per la sicurezza • Leggere tutte le informazioni concernenti la sicurezza prima di utilizzare il presente apparecchio. Conservare le presenti istruzioni

Per ridurre il rischio di incendio o esplosioni, scosse elettriche o lesioni personali, leggere con attenzione le istruzioni del presente manuale. Acquisire familiarità con i comandi e il corretto utilizzo dell'attrezzatura.



Indica una situazione pericolosa che, se non evitata, può causare lesioni gravi o mortali.

PERICOLO DI AVVELENAMENTO

Prestare estrema cautela durante il distacco della vernice. Le scaglie, i residui e i vapori della vernice possono contenere piombo, che è tossico. È probabile che le vernici applicate agli edifici prima del 1950 contengano piombo. Anche le vernici prodotte prima del 1977 possono contenere piombo. Una volta applicate le vernici sulle superfici, il contatto delle mani con la bocca può comportare l'ingestione di piombo. L'esposizione a livelli anche bassi di piombo può causare danni irreversibili al cervello e al sistema nervoso. I bambini piccoli e i nascituri sono particolarmente vulnerabili all'avvelenamento da piombo.

Prima di iniziare il processo di rimozione della vernice, verificare se questa contiene piombo. A tale scopo è possibile rivolgersi al servizio sanitario locale o a un professionista in grado di verificare con un apposito analizzatore il contenuto di piombo della vernice da rimuovere. Le vernici a base di piombo devono essere rimosse solo da professionisti e non utilizzando una pistola ad aria calda.

PREVENZIONE:

Spostare il pezzo da trattare all'esterno, al riparo dalla pioggia. Se ciò non è possibile, provvedere a una buona aerazione dell'area di lavoro. Aprire le finestre e installare un ventilatore di scarico in una di esse. Verificare che il ventilatore convogli l'aria dell'interno verso l'esterno.

- Rimuovere o coprire tappeti, tappetini, mobili, capi d'abbigliamento, utensili da cucina e condotti dell'aria.
- Stendere teli di protezione nell'area di lavoro per raccogliere

eventuali schegge o scaglie di vernice. Indossare abbigliamento protettivo come magliette da lavoro extra, tute e cappelli.

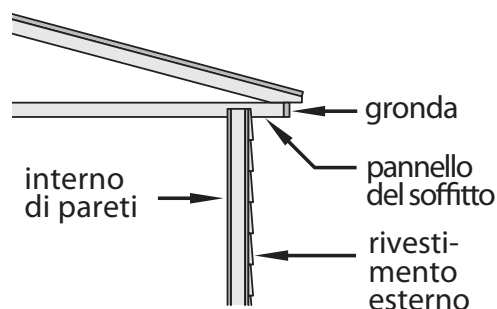
- Lavorare in una stanza alla volta. I mobili dovrebbero essere rimossi o collocati al centro della stanza e coperti. Le aree di lavoro dovrebbero essere isolate dal resto dell'abitazione sigillando le porte con teli di protezione.
- Indossare maschere con respiratore o maschere con respiratore a doppio filtro approvate contro i fumi e la polvere. Queste maschere e i filtri sostituibili sono reperibili nelle ferramenta più rifornite. Accertare che la maschera calzi correttamente. La barba e i peli facciali possono impedire alla maschera di aderire correttamente. Cambiare spesso i filtri. Le maschere usa e getta in carta non sono adatte.
- Prestare attenzione durante l'uso della pistola ad aria calda. Mantenere la pistola ad aria calda in movimento, in quanto il calore eccessivo genera fumi che possono essere inalati dall'operatore.
- Tenere cibo e bevande fuori dall'area di lavoro. Lavare mani, braccia e viso e sciacquare la bocca prima di mangiare o bere. Non fumare e non masticare gomma o tabacco nell'area di lavoro.
- Rimuovere tutta la polvere e la vernice rimosse lavando i pavimenti. Pulire con un panno umido tutte le pareti, i davanzali e tutte le altre superfici in cui possa essere presente polvere di vernice. Non spazzare, spolverare a secco o utilizzare aspirapolvere. Per lavare le aree, utilizzare un detergente ad elevato contenuto di trisodio fosfato (TSP)
- Al termine di ogni sessione di lavoro, introdurre le schegge e i residui di vernice in un sacco di plastica doppio, chiuderlo con un nastro o una fascetta e smaltirlo adeguatamente.
- Togliere l'abbigliamento protettivo e le scarpe da lavoro nell'area di lavoro per non trasportare polvere nel resto dell'edificio. Lavare l'abbigliamento da lavoro separatamente. Strofinare le scarpe con uno straccio umido quindi lavarle insieme all'abbigliamento. Lavare accuratamente corpo e capelli con acqua e sapone.

PERICOLO: ESPLOSIONE O INCENDIO

Questa pistola ad aria calda genera temperature elevatissime (fino a 600 °C). Deve essere usata con cautela per evitare di infiammare il materiale combustibile.

PREVENZIONE:

- Mantenere la pistola ad aria calda in costante movimento. Non fermarsi o sostare in un dato punto.
- Usare estrema cautela se l'altro lato del materiale trattato è inaccessibile, come il rivestimento esterno di un edificio. Il lato nascosto potrebbe incendiarsi se diventa troppo caldo. Alcuni edifici contengono materiali altamente infiammabili dietro a rivestimenti esterni, pavimenti, gronde, pannelli del soffitto e di altro tipo. Controllare queste aree prima di applicare calore e non usare apparecchi termici se sono presenti materiali infiammabili o se non si conosce la natura dei materiali nascosti.
- Non utilizzarli vicino a superfici fessurate o in prossimità di tubi metallici o converse. Il calore può penetrare dietro la superficie di lavoro e infiammare il materiale nascosto. L'accensione di materiali nascosti può non essere immediatamente evidente e causare danni alle cose e alle persone.
- Non utilizzare apparecchi elettrici in presenza di liquidi o gas infiammabili.
- Evitare l'utilizzo vicino a materiali combustibili come erba secca, foglie e carta che possono prendere fuoco facilmente.
- L'ugello diventa molto caldo. Non posare la pistola ad aria calda su superfici infiammabili durante l'uso o subito dopo il suo spegnimento. Collocare sempre la pistola su una superficie piana e orizzontale in modo che la punta dell'ugello sia rivolta verso l'alto e lontano dalla superficie di supporto.
- Non toccare l'ugello finché l'apparecchio non si è raffreddato.
- Non usare la pistola ad aria calda come asciugacapelli.
- Gli apparecchi e i residui di vernice diventano molto caldi. Per evitare ustioni, indossare guanti da lavoro e protezioni per gli occhi durante l'uso.



- Trattare sempre la pistola ad aria calda con la stessa cautela riservata alle fiamme aperte.
- Non utilizzare in presenza di un'atmosfera esplosiva.

PERICOLO: PARTI ELETTRICHE

Possono causare danni alle cose e lesioni gravi o mortali.

PREVENZIONE:

- Non disassemblare la pistola ad aria calda.
- Non lavorare in aree bagnate e non esporre la pistola ad aria calda alla pioggia o all'umidità.
- Proteggersi dalle scosse elettriche evitando il contatto del corpo con superfici messe a terra come tubi, radiatori, fornelli, scale in alluminio o altri dispositivi messi a terra.
- Utilizzare correttamente il cavo elettrico. Non trasportare mai la pistola ad aria calda mediante il cavo elettrico e non tirarlo per staccare l'apparecchio dall'alimentazione elettrica. Tenere il cavo elettrico lontano da calore, olio e bordi taglienti. Ispezionare regolarmente il cavo elettrico alla ricerca di danni e usura.
- Se una prolunga è danneggiata o altrimenti inadatta all'uso, sostituirla con una nuova.

PERICOLO DI GENERALITÀ

Può causare danni materiali o lesioni gravi.

PREVENZIONE:

- Quando non utilizzata, staccare sempre la pistola ad aria calda dall'alimentazione elettrica. Conservarla all'interno in un luogo asciutto e fuori dalla portata di bambini senza supervisione.
- Mantenere l'area di lavoro pulita e ben illuminata.
- Non sporgersi eccessivamente, soprattutto quando si lavora su scale. Mantenere sempre l'equilibrio e la stabilità. Accertarsi che le scale utilizzate siano robuste e stabili e installate su fondi solidi con angolazioni sicure.
- Evitare i cavi elettrici.
- Durante l'operazione mantenere gli elementi mobili stabili e sicuri.
- Durante il lavoro usare sempre occhiali di protezione.
- Rimanere vigili e utilizzare il buon senso durante l'uso di qualsiasi apparecchio.
- Non usare mai per scongelare tubi ghiacciati situati all'interno di pareti o vicino a combustibili. Per scongelare i tubi ghiacciati utilizzare sempre un ugello deflettore (codice art. 2366225).

- Non lasciare la pistola ad aria calda incustodita quando accesa.
- Questo apparecchio può essere usato da bambini a partire dagli 8 anni di età e da persone con ridotte capacità fisiche, sensoriali o mentali o prive di esperienza e conoscenze, purché siano supervisionate o abbiano ricevuto istruzioni circa l'uso sicuro dell'apparecchio comprendendone i pericoli. I bambini non devono giocare con l'apparecchio.
- Tenere l'apparecchio e il cavo fuori della portata di bambini.

COLLEGAMENTO ALLA RETE ELETTRICA

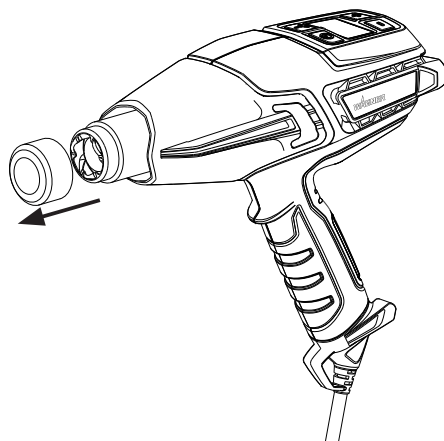
La presente pistola ad aria calda è fornita con un cavo elettrico. se il cavo elettrico è danneggiato, sostituirlo con un cavo nuovo per evitare pericoli di sicurezza. Contattare il servizio clienti Wagner per i cavi elettrici sostitutivi.

IN CASO DI DUBBI CONSULTARE UN ELETTRICISTA QUALIFICATO.

AVVERTENZA - Utilizzare un cavo di prolunga adatto alla spina del prodotto. Verificare che il cavo di prolunga sia in buone condizioni. In caso di utilizzo di un cavo di prolunga, accertare che sia in grado di reggere la corrente aspirata dal prodotto. Un cavo sottodimensionato causerà una caduta della tensione di linea, con una conseguente perdita di potenza e surriscaldamento. Per impieghi generali è richiesto come minimo un cavo in gomma armonizzato H05RR-F da 3 x 1,0 mm².

Tappo di protezione

AVVERTENZA - Rimuovere il tappo in plastica e smaltirlo prima di utilizzare la pistola ad aria calda.



Utilizzo della pistola ad aria calda

Descrizione generale

Questa pistola ad aria calda è un apparecchio elettrico di alta qualità. Come qualsiasi altro apparecchio elettrico, può essere pericolosa se impiegata in modo errato. Leggere attentamente le seguenti istruzioni e rispettare tutte le precauzioni di sicurezza. Il proprietario ha la responsabilità di utilizzare la pistola ad aria calda correttamente.

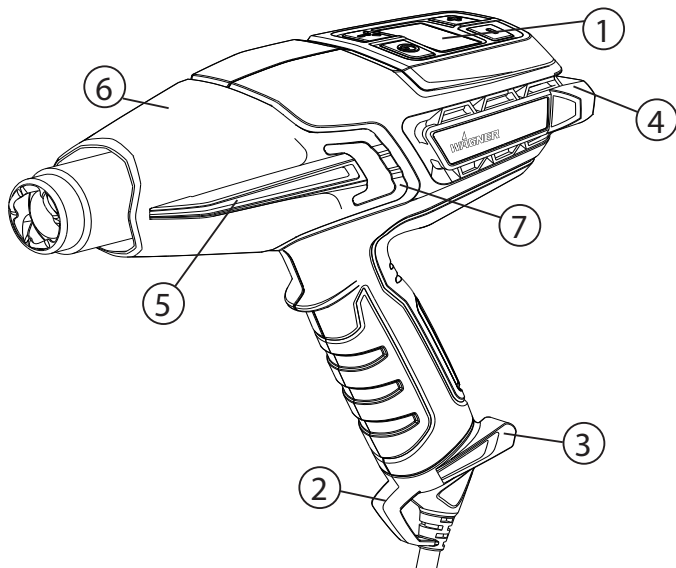
Specifiche

Alloggiamento	Polimeri ingegnerizzati resistenti agli urti, alla corrosione e al calore
Potenza elettrica	2000 W con impostazione ALTA, 150 W con impostazione BASSA
Tensione	220 - 240 V a.c.
Frequenza	50 - 60 Hz
Emissione di calore	Circa 600 °C con impostazione ALTA, circa 60 °C con impostazione BASSA
Peso	0,9 kg

Caratteristiche Fig. 1

- 1) Pannello di controllo per temperatura e velocità ventola
- 2) Gancio di sospensione
- 3) Cavo elettrico con stabilizzatori integrati (rimovibile con attrezzi)
- 4) Alette di stabilizzazione posteriori (posizione verticale)
- 5) Barre laterali per impedire il contatto fra ugello e superficie
- 6) Riparo termico ugello

Fig. 1



Rimozione della copertura della canna

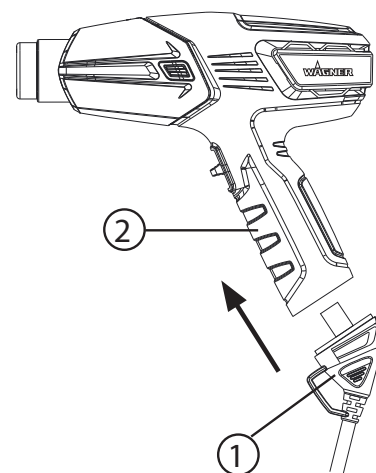
La copertura della canna può essere rimossa quando si lavora in posizioni difficili da raggiungere. **ATTENZIONE ALL'UGELLO.** Lavorare senza copertura della canna aumenta il rischio di ustioni. Per rimuovere la copertura della canna usare un piccolo cacciavite a testa piatta per sollevare la linguetta (Fig. 1, 7).

Applicazione e rimozione del cavo

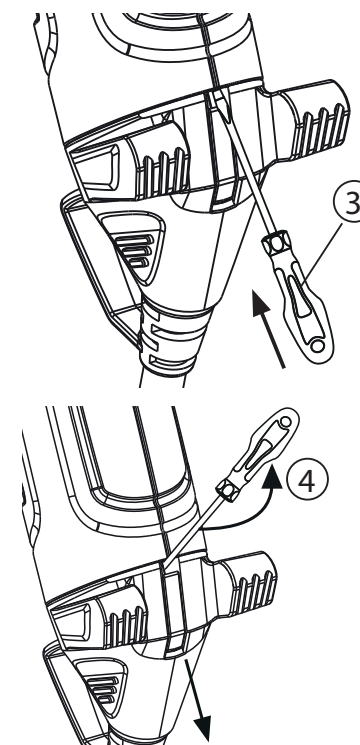
Il cavo elettrico (Fig. 2, 1) della pistola ad aria calda è fornito staccato dalla pistola (Fig. 2, 2). Per collegarlo, allineare il cavo con la presa nell'impugnatura della pistola e premerli con decisione l'uno contro l'altro fino a udire un clic. Non occorre rimuovere il cavo elettrico. Qualora si renda necessario rimuovere il cavo, inserire un cacciavite a taglio piccolo (fig. 2, 3) o un utensile simile nel foro, come rappresentato nella figura. Utilizzare il cacciavite come leva spingendolo verso l'alto (4) in direzione dell'impugnatura, per allentare il cavo. Staccare con decisione il cavo elettrico dalla pistola.

Fig. 2

Applicare



Rimuovere



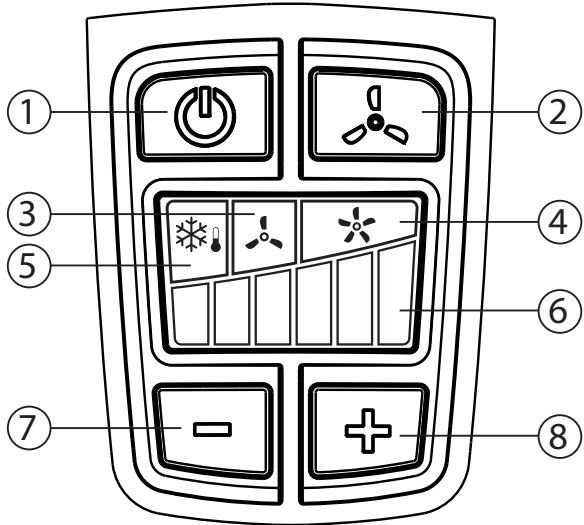
Pannello di controllo con touchpad

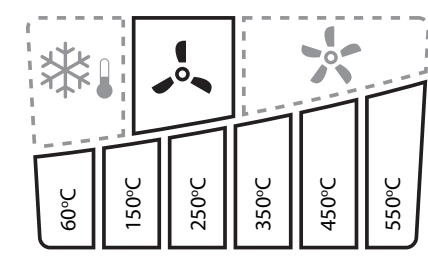
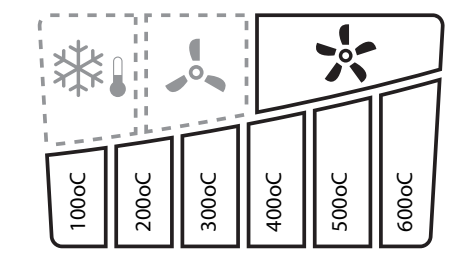
La pistola ad aria calda consente di scegliere fra un ampio intervallo di temperature in funzione del tipo di progetto. La temperatura può essere regolata mediante il pannello di controllo.

Display a LED della temperatura

Descrizione Fig. 3	
1) Pulsante di accensione: accende e spegne la pistola ad aria calda o commuta in modalità raffreddamento	2) Selettore modalità: imposta l'intervallo di temperature e la velocità del flusso d'aria utilizzati
3) Indicatore modalità: gamma flusso d'aria basso / bassa temperatura (vedere Fig. 4, a)	4) Indicatore modalità: gamma flusso d'aria elevato / temperatura elevata (vedere Fig. 4, b)
5) Indicatore modalità: raffreddamento	6) Indicatore temperatura: mostra l'impostazione corrente dell'emissione di calore (vedere Fig. 4)
7) Selettore della temperatura: riduce la temperatura (-)	8) Selettore temperatura: aumenta la temperatura (+)

Fig. 3

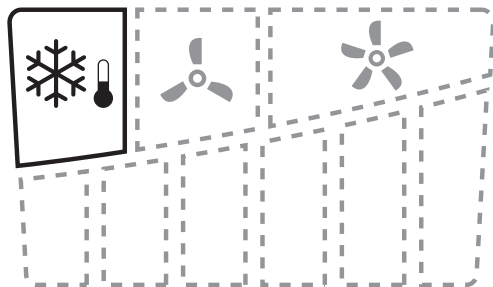


Descrizione Fig. 4a & 4b	
Modalità flusso d'aria: BASSA Intervallo di temperatura: 60 °C - 550 °C Temperature ciclo: vedere Fig. 3, (7 & 8) _____ = Illuminato - - - - - = Non illuminato	Modalità flusso d'aria: ALTA Intervallo di temperatura: 100 °C - 600 °C Temperature ciclo: vedere Fig. 3, (7 & 8) _____ = Illuminato - - - - - = Non illuminato
Fig. 4a	Fig. 4b
	

Modalità raffreddamento

Durante le pause o al termine del lavoro, premere il pulsante di accensione per passare in modalità raffreddamento (Fig. 5). La luce blu dell'indicatore di raffreddamento si accenderà e la pistola continuerà a funzionare con l'elemento disattivato per il raffreddamento.

Fig. 5

**Avvio**

Leggere sempre le informazioni di sicurezza contenute nel presente manuale prima di usare la pistola ad aria calda.

1. Collegare la pistola ad aria calda a una presa standard.
2. Accendere la pistola ad aria calda premendo il pulsante di accensione sul pannello di controllo (Fig. 3, 1). Quando la pistola viene accesa, viene impostata automaticamente nell'intervallo a bassa temperatura (Fig. 4, a) a 60°C e con un basso flusso d'aria.
3. Se si desidera continuare a lavorare entro l'intervallo a bassa temperatura, premere semplicemente il pulsante più o meno sul touchpad fino a selezionare l'impostazione di temperatura desiderata, che sarà indicata dall'accensione della barra della temperatura.
4. Se si desidera operare entro l'intervallo ad alta temperatura e con un flusso d'aria elevato, premere una volta il selettore della modalità (Fig. 3, 2). Si accenderà la luce dell'indicatore della gamma ad alta temperatura. Ora è possibile premere semplicemente il pulsante più o meno sul pannello di controllo fino a raggiungere l'impostazione di temperatura desiderata, che sarà indicata dall'accensione della barra della temperatura.

IMPORTANTE: Se il motorino della ventola nella pistola non si accende quando viene premuto il pulsante di accensione, disattivare l'interruttore immediatamente. L'elemento riscaldante brucerà se non viene raffreddato dalla ventola.

5. Durante le pause o al termine del lavoro, premere il pulsante

di accensione per passare in modalità raffreddamento (Fig. 5). La luce blu dell'indicatore di raffreddamento si accenderà e la pistola continuerà a funzionare con l'elemento disattivato per il raffreddamento.

6. Depositare la pistola in posizione verticale. La pistola ad aria calda si arresterà dopo 3 minuti.
7. Per escludere la modalità raffreddamento, premere e tenere premuto il pulsante di accensione per 2-3 secondi. La pistola si spegnerà immediatamente.



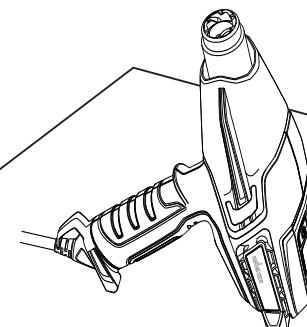
Importante: Al termine della modalità raffreddamento la canna della pistola è ancora calda.

Nota: Al primo avvio può apparire fumo causato dalla combustione di oli di produzione. Il fumo dovrebbe disperdersi rapidamente dopo il primo avvio.

Utilizzo senza mani Fig. 6

La pistola ad aria calda è provvista di un supporto integrato (Fig. 1, 4) per applicazioni da banco e per il raffreddamento. In alternativa la valigetta della pistola optional (Fig. 7) è stata appositamente progettata per poter posizionare la pistola in verticale in caso di lavori su superfici irregolari.

Fig. 6



AngleLoc (valigetta)* Fig. 7a & 7b

A: Inserire il retro della pistola ad aria calda in modo che le alette di stabilizzazione posteriori si posizionino sotto le creste sulla parete laterale della cavità sulla sommità della valigetta.

B: Quindi fare scorrere la pistola ad aria calda in avanti in modo che si blocchi naturalmente in posizione con un angolo di 135°. Ora la pistola ad aria calda dovrebbe essere sicura per l'utilizzo in verticale.

Fig. 7a

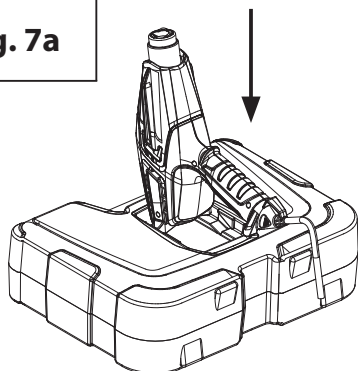
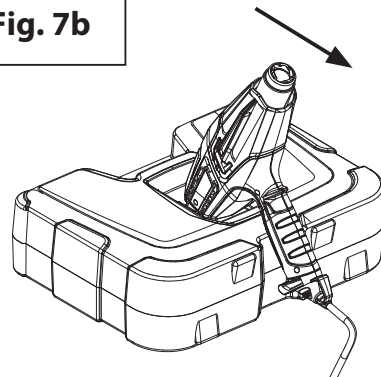


Fig. 7b



*La valigetta AngleLoc può essere acquistata separatamente. Vedere pagina 63

IMPORTANTE: se la ventola motorizzata della pistola non si accende quando l'interruttore viene impostato su BASSA o ALTA, disattivare immediatamente l'interruttore. L'elemento riscaldante brucerà se non viene raffreddato dalla ventola motorizzata.

Nota: dopo averla spenta, posizionare sempre la pistola ad aria calda in verticale, sia per una breve pausa sia per riporla. Dopo lo spegnimento non posare l'unità sul fianco. Il calore rimarrebbe più a lungo nell'unità prolungando il tempo necessario per il raffreddamento. Riporre l'unità solo dopo che l'ugello si è raffreddato. Staccare la spina dell'unità prima di riporla per evitare l'avvio accidentale.

IMPORTANTE: Proteggere sempre il vetro quando si lavora in prossimità di finestre.



Non toccare l'ugello o qualsiasi altro utensile durante il lavoro. Questi diventano estremamente caldi e causano gravi ustioni. Indossare guanti per proteggere le mani da residui caldi.

Molte variabili influiscono sulle applicazioni a caldo, come il materiale riscaldato, la temperatura ambiente, la distanza dalla pistola al substrato e la tecnica di riscaldamento. Per tale motivo Wagner ha fornito linee guida sulla temperatura adatta per determinate applicazioni. Avviare sempre la pistola ad aria calda alla temperatura minima, quindi aumentare la temperatura fino a raggiungere il valore ottimale. Mantenere la pistola ad aria calda sempre in movimento e ad almeno 5 cm dal substrato durante l'applicazione del calore.

La pistola ad aria calda F500 è un apparecchio estremamente versatile. Può essere usata per una grande varietà di progetti, da grandi lavori di fai da te fino a piccoli lavori di bricolage. Per maggiori dettagli su vari progetti e per video esplicativi, visitare il nostro sito web www.wagner-group.com.

Utilizzo		Temperatura	Opzioni della punta dell'ugello
Fai da te	Distacco della vernice	ALTA	Concentratore o concentratore a punta larga
	Riparare pareti	BASSA	Aperto (senza punta)
	Asciugare vernice	BASSA	Aperto (senza punta)
	Ammorbidire adesivi per rimuovere piastrelle	BASSA	Concentratore a punta larga
	Piegare plastica, plexiglass, formica	BASSA/ALTA	Ugello deflettore
	Rimuovere formica e linoleum	BASSA	Concentratore a punta larga
	Ammorbidire vernice, materiale isolante e stucco per facilitare la rimozione	ALTA	Concentratore o concentratore a punta larga
	Rimuovere smalto	BASSA-MED	Concentratore a punta larga
	Far ritirare film plastici per imballaggi o impermeabilizzazioni	BASSA	Concentratore a punta larga
Lavoretti (incluse riparazioni)	Allentare dadi, bulloni e raccordi arrugginiti	ALTA	Aperto/ concentratore
	Riparare jeans	BASSA	Concentratore a punta larga
	Brucciare erbacce	ALTA	Concentratore
	Rimuovere adesivi	BASSA	Aperto (senza punta)
	Applicare cera su sci/ snowboard	BASSA	Concentratore a punta larga
	Lavori con fibra di vetro	ALTA	Concentratore o concentratore a punta larga

Utilizzo		Temperatura	Opzioni della punta dell'ugello
	Scongelare tubi e serrature	BASSA	Ugello deflettore
	Accendere una griglia per il barbecue	ALTA	Concentratore / ugello BBQ
	Fare termoretrarre tubazioni/connettori	BASSA-MED	Ugello deflettore
	Riscaldare il calcestruzzo prima di rattoppi	BASSA/ALTA	Concentratore
	Sbrinare frigoriferi / freezer	BASSA	Aperto (senza punta)
	Bricolage	Fare candele	BASSA
Fare il sapone		BASSA	Aperto (senza punta)
Confezionare regali		BASSA	Aperto (senza punta)
Fare schiuma		BASSA	Aperto (senza punta)
Decorare dolci		BASSA/ALTA	Aperto (senza punta)
Automotive	Rimuovere adesivi, emblemi e decalcomanie	BASSA	Aperto (senza punta)
	Rimuovere ammaccature	ALTA	Aperto (senza punta)
	Rimuovere vernice	ALTA	Concentratore o concentratore a punta larga
	Applicare e rimuovere pellicole oscuranti per vetri	BASSA	Aperto (senza punta)
	Riparare paraurti	ALTA	Aperto (senza punta)
Elettronica	Riparare smartphone e tablet	BASSA	Concentratore
	Riparare PlayStation e Xbox	BASSA	Concentratore

Distacco della vernice

La pistola ad aria calda riscalda le superfici e ammorbidisce la vernice, che può quindi essere rimossa senza danneggiare le superfici. Alcune vernici possono ammorbidirsi anche se non formano bolle, altre possono diventare gommose e altre ancora richiedono temperature più elevate.

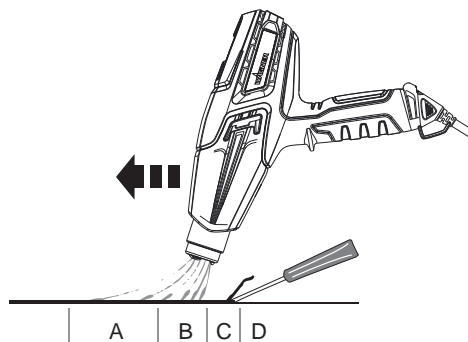
In caso di diversi strati di vernice, accelera il processo di distacco riscaldando a fondo la superficie fino al legno., quindi gli strati possono essere rimossi in una volta sola.

Una spazzola metallica morbida può essere lo strumento migliore per superfici molto intricate. Vernici e finiture minerali, come la pittura per cemento e la porcellana, non si ammorbidiscono con il calore, quindi usare un apparecchio riscaldante non servirà a rimuoverle.

Il metodo migliore per rimuovere la vernice

Muovere la pistola ad aria calda lentamente e costantemente in avanti, inclinata rispetto alla superficie e con l'ugello rivolto nella direzione di movimento. Ciò consente di raschiare in sicurezza al di fuori del getto di aria calda e mantiene più freddi il raschietto e la superficie raschiata.

- A. L'aria calda preriscalda la superficie.
- B. La vernice viene ammorbidita dall'aria calda.
- A + B. Penetrazione in profondità del calore in tutta l'area.
- C. La vernice può essere facilmente raschiata via non appena è ammorbidita e la pistola viene fatta avanzare.
- D. La superficie raschiata viene lasciata raffreddare.



Nota: non usare la pistola ad aria calda su superfici che possono essere danneggiate dal calore come pannelli, rivestimenti laterali o telai di finestre rivestiti in vinile.

Durante la rimozione della vernice da telai di finestre la pistola ad aria calda ammorbidisce lo stucco. Non rimuovere lo stucco con il raschietto. Lo stucco si indurrà raffreddandosi.

Non usare la pistola ad aria calda su vetro isolante laminato come il Thermopane. L'espansione del vetro può rompere la guarnizione sul bordo.

Quando si distaccano gronde, non surriscaldare i bordi delle tegole in asfalto che sporgono oltre il limite della copertura. Un calore eccessivo fonderà l'asfalto.

IMPORTANTE: Se si osservano le linee guida suddette la rimozione della vernice con una pistola ad aria calda è sicura; tenere comunque sempre a portata di mano un recipiente d'acqua o un estintore ABC (adatto per incendi di Classe A, B e C).

Pulizia e manutenzione

Mantenere puliti e privi di ostruzioni i fori di aspirazione dell'alloggiamento. Usare una spazzola morbida e asciutta per pulire periodicamente i fori. Per pulire la pistola ad aria calda usare unicamente sapone delicato e un panno umido. Molti detergenti domestici contengono sostanze chimiche che potrebbero danneggiare gravemente l'alloggiamento.

Per la pulizia della pistola ad aria calda non usare petrolio, trementina, diluenti per vernici, fluidi per la pulizia a secco o prodotti simili.

Non permettere **MAI** la penetrazione di liquidi all'interno dell'apparecchio e non immergere alcuna sua parte in liquidi.

La pulizia e la manutenzione a carico dell'utente non devono essere effettuate da bambini.

Conservazione

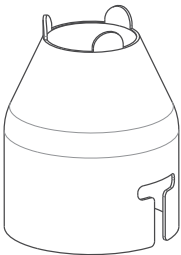
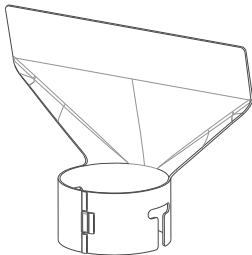
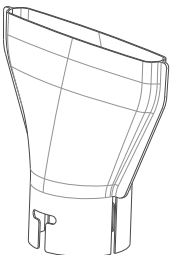

Lasciare raffreddare a temperatura ambiente l'ugello della pistola ad aria calda prima di riporlo.

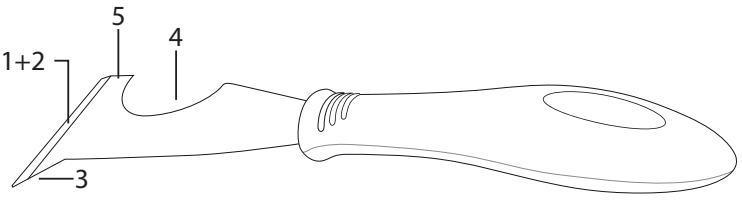
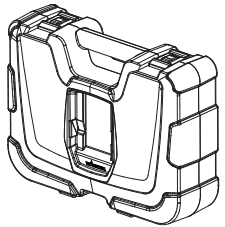
Nel tempo l'ugello si scurisce a causa del calore elevato. Ciò è normale e non influisce sulle prestazioni o la durata dell'apparecchio.

Accessori

I seguenti accessori possono essere forniti in dotazione con la pistola ad aria calda oppure possono essere acquistati separatamente sul sito www.wagner-group.com/service.

In alternativa cercare sul retro del manuale il centro di assistenza più vicino.

Nome		Descrizione	Nome		Descrizione
Ugello concentratore P/N2366222		Dirige un flusso di calore concentrato sulla superficie di lavoro. Ideale per rimuovere la vernice da angoli difficili, fessure, modanature, decorazioni con perline o architravi.	Ugello per la protezione del vetro P/N2366224		Devia il calore dal vetro o da altre aree fragili. Ideale per davanzali, mensole, telai e battiscopa.
Ugello concentratore a punta larga P/N2366223		Dirige un getto di calore lungo e stretto sulla superficie di lavoro. Ideale per rimuovere vernice o smalto da superfici larghe e piatte come battiscopa, porte, scale ecc. Dovrebbe essere utilizzato insieme a un raschietto piatto.	Ugello deflettore P/N2366225		Disperde uniformemente il flusso di calore attorno all'intera superficie di lavoro. Ideale per scongelare tubi gelati, saldare tubazioni, piegare plastica o la termoretrazione di tubi isolanti elettrici.

Nome	Descrizione
 <p>Raschietto 5-in-1 P/N2366227</p>	<p>Questo utensile ha 5 funzioni: La lama è usata per (1) raschiare la vernice e (2) spargere composti. Il punto scanalato (3) è usato per rimuovere stucco/sigillanti da fessure aperte. L'area curva (4) è usata per pulire copricarrelli. Il lato piatto (5) può essere usato per aprire barattoli di vernice.</p>
 <p>Valigetta P/N2366226</p>	<p>La valigetta per pistola ad aria calda con AngleLoc è stata appositamente progettata per consentire di posizionare la pistola in verticale in caso di lavori su superfici irregolari.</p>

IMPORTANTE: Indossare sempre guanti quando si maneggia la pistola ad aria calda.

Per fissare un accessorio optional alla pistola ad aria calda:

1. Posizionare la pistola ad aria calda in verticale su una superficie piana e attendere che la punta sia fredda.
2. Collocare l'accessorio sulla punta della pistola ad aria calda e spingerlo manualmente in posizione.

Per rimuovere l'accessorio optional dalla pistola ad aria calda:

1. Posizionare la pistola ad aria calda in verticale su una superficie piana e attendere che la punta sia fredda.
2. Tirare l'accessorio rimuovendolo dalla punta.

Registrazione del prodotto

Registrate il vostro prodotto online all'indirizzo www.wagner-group.com/3plus1 per avere diritto ad 1 anno di garanzia aggiuntivo.

3+1 anni di garanzia

La garanzia ha una durata di tre anni, a partire dalla data di vendita (scontrino). La garanzia è prolungata di ulteriori 12 mesi se l'apparecchio viene registrato online entro 4 settimane dall'acquisto sul sito www.wagner-group.com/3plus1. La registrazione è possibile solo se l'acquirente accetta che i dati che deve immettere siano memorizzati. La garanzia copre ed è limitata alla correzione gratuita di difetti per i quali è possibile dimostrare che sono riconducibili all'uso di materiali difettosi durante la produzione o a errori di assemblaggio o alla sostituzione gratuita di parti difettose. La garanzia non copre l'uso scorretto o la messa in servizio, l'installazione o lavori di riparazione non indicati nelle nostre istruzioni di funzionamento. Anche le parti soggette a usura sono escluse dalla garanzia. La garanzia esclude l'utilizzo commerciale. Ci riserviamo espressamente il diritto di accettare la garanzia. La garanzia decade se l'apparecchio viene aperto da persone diverse dal personale assistenziale Wagner. Danni di trasporto, lavori di manutenzione e perdite e danni causati da lavori di manutenzione errati non sono coperti da garanzia. Per qualsiasi richiesta di garanzia, occorre dimostrare l'acquisto dell'apparecchio mediante presentazione della ricevuta originale. Quando legalmente possibile, escludiamo qualsiasi responsabilità per lesioni, danni o perdite conseguenti, in particolar modo se l'apparecchio è stato utilizzato per scopi diversi da quelli indicati nelle istruzioni di funzionamento, non è stato messo in servizio o riparato secondo le nostre istruzioni di funzionamento o le riparazioni sono state eseguite da persone non qualificate. Ci riserviamo il diritto di effettuare riparazioni oltre a quelle indicate nelle nostre istruzioni di funzionamento. In caso di garanzia o riparazione, fare riferimento

al proprio punto vendita. La presente garanzia non influisce sui vostri diritti di legge.

INFORMAZIONI SULLO SMALTIMENTO DI APPARECCHIATURE ELETTRICHE ED ELETTRONICHE (WEEE)



L'apparecchio completo di accessori e imballaggio dovrebbe essere riciclato nel rispetto dell'ambiente. Allo smaltimento dell'apparecchio, non gettarlo insieme ai rifiuti domestici. Supportate la tutela dell'ambiente e perciò portate il Vostro apparecchio ad un deposito di smaltimento locale oppure informatevi in un negozio specializzato dove smaltirlo.

Dichiarazione di conformità UE

Dichiariamo sotto la nostra esclusiva responsabilità, che il presente prodotto corrisponde alle relative disposizioni seguenti 2014/35/UE, 2014/30/UE, 2011/65/UE, 2012/19/UE

Norme armonizzate:

EN 60335-1, EN 60335-2-45, EN 55014-1, EN 55014-2,
EN 61000-3-2, EN 61000-3-3, EN 62233

La dichiarazione di conformità UE è allegata al prodotto. Se necessario, può esserne richiesta una copia con il numero d'ordine **2389336**.

Información importante para la seguridad • Lea toda la información para la seguridad antes de utilizar el equipo. Conserve estas instrucciones

Con el fin de reducir los riesgos de incendio, explosión, electrocución y lesiones a personas es necesario leer y comprender todas las instrucciones contenidas en este manual. Familiarícese con los controles y el uso correcto del equipo.



Indica una situación peligrosa; en caso de que no se evite, se podrían producir la muerte o lesiones graves.

PELIGRO: TÓXICO

Al retirar pintura se debería proceder con una precaución extrema. La capa desprendida, los residuos y los vapores de pintura pueden contener plomo, que es tóxico. Cualquier pintura aplicada en hogares antes de 1950 contiene probablemente plomo. Cualquier pintura fabricada antes de 1977 puede contener plomo. Una vez que la pintura esté depositada en superficies, el contacto entre la mano y la boca puede causar una ingestión de plomo. La exposición incluso a niveles bajos de plomo puede causar daños irreversibles al cerebro y al sistema nervioso. Niños pequeños y fetos son particularmente vulnerables al envenenamiento por plomo.

Antes de iniciar cualquier proceso de retirada de pintura, debería determinar si la pintura a retirar contiene plomo. Esto se puede hacer a través de su departamento de salud local o un profesional que utilice un analizador de pintura para comprobar el contenido de plomo de la pintura a retirar. La pintura basada en plomo solo debería ser retirada por un profesional y no se debería utilizar una pistola de aire caliente para este fin.

PREVENCIÓN:

Traslade la pieza de trabajo al aire libre, protegida contra la lluvia. Si esto no fuera posible, mantenga el área de trabajo bien ventilado. Abra las ventanas y coloque un ventilador extractor en una de ellas. Asegúrese de que el ventilador mueve el aire desde dentro hacia fuera.

- Retire o cubra moquetas, alfombras, muebles, ropa, utensilios de cocina y conductos de aire.

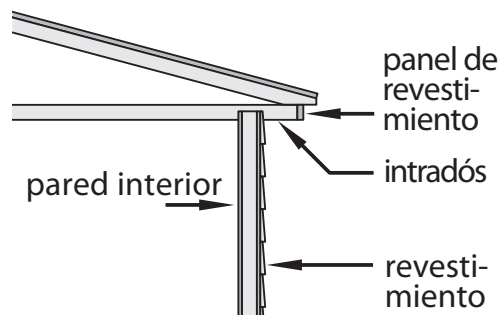
- Coloque lonas en el área de trabajo para retener la pintura descascarada y fragmentada. Lleve ropa protectora, tales como camisas de trabajo adicionales, monos y gorras.
- Trabaje solo en una habitación a la vez. Los muebles se deberían retirar o colocar en el centro de la habitación y cubrir. Las áreas de trabajo se deberían aislar del resto de la vivienda, sellando las puertas con lonas.
- Lleve una máscara respiratoria antipolvo homologada o una máscara respiratoria de filtro doble para polvo y humo. Estas máscaras y filtros intercambiables están disponibles en cualquier ferretería grande. Asegúrese de que la máscara se adapte correctamente. Una barba o vello facial pueden impedir la adaptación correcta de la máscara. Cambie los filtros con frecuencia. Las máscaras de papel desechables no son apropiadas.
- Proceda con precaución al utilizar la pistola de aire caliente. Mantenga la pistola de aire caliente en movimiento, dado que un calor excesivo genera humos que pueden ser inhalados por el operador.
- Mantenga los alimentos y las bebidas fuera del área de trabajo. Lave las manos, los brazos y la cara antes de comer o beber. No fume y no mastique chicle ni tabaco en el área de trabajo.
- Retire toda la pintura desprendida y el polvo fregando los suelos en húmedo. Utilice un trapo mojado para limpiar todas las paredes, umbrales y otras superficies en las cuales se haya adherido el polvo de pintura. No limpie con una escoba, un trapo seco o un aspirador. Utilice un detergente con alto contenido de fosfato trisódico (TSP) para lavar y fregar las zonas.
- Al finalizar cada sesión de trabajo, ponga los trozos de pintura y los desechos en una bolsa de plástico doble, ciérrela con cinta adhesiva o un alambre de cierre y deséchela correctamente.
- Quítese la ropa protectora y el calzado de trabajo en el área de trabajo para evitar arrastrar polvo al resto del edificio. Lave la ropa de trabajo por separado. Limpie el calzado con un trapo mojado y lávelo después junto con la ropa de trabajo. Lávese el cabello y el cuerpo a fondo con agua y jabón.

NO UTILIZAR EN ATMÓSFERAS EXPLOSIVAS. PELIGRO: EXPLOSIÓN O INCENDIO

Esta pistola de aire caliente produce unas temperaturas extremadamente elevadas (hasta 600 °C). Se tiene que utilizar con precaución para evitar que se enciendan materiales combustibles.

PREVENCIÓN:

- Mantenga la pistola de aire caliente constantemente en movimiento. No pare ni se detenga en un mismo lugar.
- Proceda con una precaución extrema si el lado del material a rasar no es accesible, tal como ocurre, por ejemplo, con el revestimiento de una casa. El lado oculto podría inflamarse si se calienta excesivamente. Algunos edificios contienen materiales altamente inflamables detrás de paredes de revestimiento, suelos, paneles de revestimiento, intradoses y otros paneles. Compruebe estas zonas antes de aplicar calor y no utilice una herramienta de calor si existen materiales inflamables o no está seguro de las características del material oculto.
- No utilice el equipo en la proximidad de superficies con grietas o de tuberías metálicas o vierteaguas. El calor puede ser conducido detrás de la superficie de trabajo e inflamar materiales ocultos. Es posible que la inflamación de materiales ocultos no sea evidente y pueda causar daños materiales y lesiones.
- No utilice herramientas eléctricas en presencia de líquidos o gases inflamables.
- No utilice el equipo en la proximidad de materiales combustibles, tales como hierba seca, hojas y papel, ya que se pueden chamuscar e inflamar.
- La boquilla alcanza una temperatura muy elevada. No deposite la pistola de aire caliente en una superficie inflamable mientras la esté utilizando o inmediatamente después de desconectarla. Coloque la pistola siempre en una superficie plana y horizontal, de manera que la boquilla está dirigida hacia arriba y se encuentra apartada de la superficie de apoyo.
- No toque la boquilla hasta que la herramienta se haya enfriado.



- No utilice la pistola de aire caliente como secador de cabello.
- Las herramientas y la pintura rascada alcanzan temperaturas muy elevadas. Para evitar quemaduras, utilice guantes de trabajo y una protección ocular al rasar.
- Trate la pistola de aire caliente siempre con la misma precaución que una llama descubierta.
- No utilizar en atmósferas explosivas.

PELIGRO: ELECTRICIDAD

Se pueden causar daños materiales, lesiones graves o la muerte.

PREVENCIÓN:

- No desmonte la pistola de aire caliente.
- No trabaje en entornos húmedos y no exponga la pistola de aire caliente a la lluvia o la humedad.
- Protéjase contra descargas eléctricas evitando el contacto del cuerpo con superficies con puesta a tierra, tales como tuberías, radiadores, cocinas, escaleras de aluminio y otros dispositivos con puesta a tierra.
- Trate correctamente el cable de alimentación. No transporte la pistola de aire caliente nunca por el cable de alimentación ni tire de éste último para sacarlo de la toma de corriente. Mantenga el cable de alimentación alejado de calor, aceite y cantos afilados. Controle regularmente que el cable de alimentación no muestre defectos ni desgaste.
- Si un cable de prolongación está dañado o es inadecuado para el uso por otros motivos, sustitúyalo por otro cable de prolongación nuevo.

PELIGRO: GENERAL

Se pueden causar daños materiales o lesiones graves.

PREVENCIÓN:

- Desconecte la pistola de aire caliente siempre de la alimentación eléctrica cuando no la esté utilizando. Guárdela en el interior, en un lugar seco y fuera del alcance de niños sin supervisión.
- Mantenga su área de trabajo limpia y bien iluminada.
- No se extienda excesivamente, sobre todo al trabajar en escaleras. Mantenga en todo momento una postura estable y equilibrada. Asegúrese de que las escaleras utilizables sean sólidas y estables y que estén colocadas en una superficie firme y elevadas con un ángulo de trabajo seguro.
- Evite líneas eléctricas.

- Mantenga los elementos móviles asegurados y firmes mientras esté rascando.
- Utilice siempre gafas protectoras al trabajar.
- Manténgase atento y utilice el sentido común al manejar cualquier herramienta.
- No utilice nunca el equipo para descongelar tuberías congeladas en el interior de paredes o en la proximidad de combustibles. Utilice siempre la boquilla reflectora (P/N2366225) para descongelar tuberías.
- No deje la pistola de aire caliente sin supervisión mientras esté conectada.
- Este aparato puede ser utilizado por niños a partir de los 8 años y personas con capacidades físicas, sensoriales o mentales reducidas o con falta de experiencia y conocimientos, siempre que trabajen bajo vigilancia o hayan recibido una instrucción con respecto al uso seguro del aparato y comprendan los riesgos potenciales. Los niños no deben jugar con el aparato.
- Mantenga el aparato y su cable fuera del alcance de niños.

CONEXIÓN DE RED

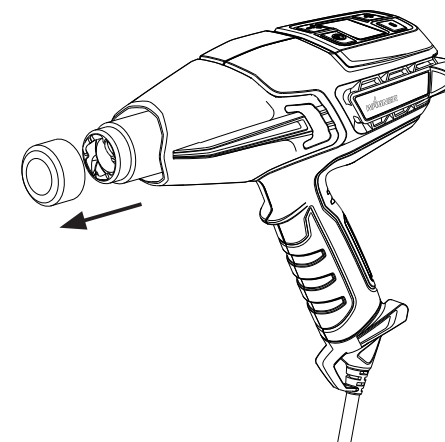
Esta pistola de aire caliente se suministra con un cable de alimentación. Si el cable de alimentación está dañado, sustitúyalo por otro nuevo para evitar riesgos. Póngase en contacto con el servicio postventa de Wagner para obtener un cable de recambio.

EN CASO DE DUDAS, CONSULTE A UN ELECTRICISTA CUALIFICADO.

ADVERTENCIA - Utilice un cable de prolongación compatible con el fusible en el producto. Asegúrese de que su cable de prolongación se encuentra en perfecto estado. En caso de utilizar un cable de prolongación, compruebe que éste sea lo suficientemente resistente para soportar la corriente usada por su producto. Un cable con un tamaño insuficiente causa una caída de la tensión de red, con el resultado de una pérdida de potencia y un sobrecalentamiento. Para el uso general se requiere, como mínimo, un cable de goma armonizado del tipo H05RR-F 3 x 1,0 mm².

Capuchón protector

ADVERTENCIA - Retire y deseche la tapa de plástico antes de utilizar su pistola de aire caliente.



Uso de la pistola de aire caliente

Descripción general

Esta pistola de aire caliente es una herramienta eléctrica de alta calidad. Al igual que cualquier otra herramienta eléctrica puede ser peligrosa si se utiliza de manera incorrecta. Lea atentamente las siguientes instrucciones y observe todas las medidas de seguridad. El propietario es responsable del uso correcto de la pistola de aire caliente.

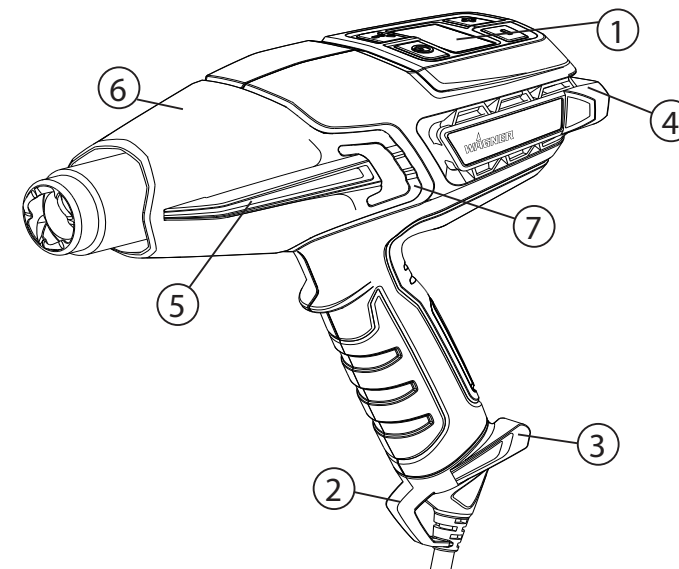
Especificaciones

Carcasa	Polímeros técnicos altamente resistentes a impactos, corrosión y calor
Potencia	2000 W en posición ALTA, 150 W en posición BAJA
Tensión	220 - 240 V CA
Frecuencia	50 - 60Hz
Potencia de calefacción	Aprox. 600 °C en posición ALTA, aprox. 60 °C en posición BAJA
Peso	0,9 kg

Características Fig. 1

1) Panel de control - temperatura y velocidad del ventilador
2) Gancho de suspensión
3) Cable de alimentación con estabilizadores integrados (desmontables con herramienta)
4) Aletas estabilizadoras posteriores (colocación de pie)
5) Barras laterales para evitar el contacto de la boquilla con la superficie
6) Deflector de calor de la boquilla

Fig. 1

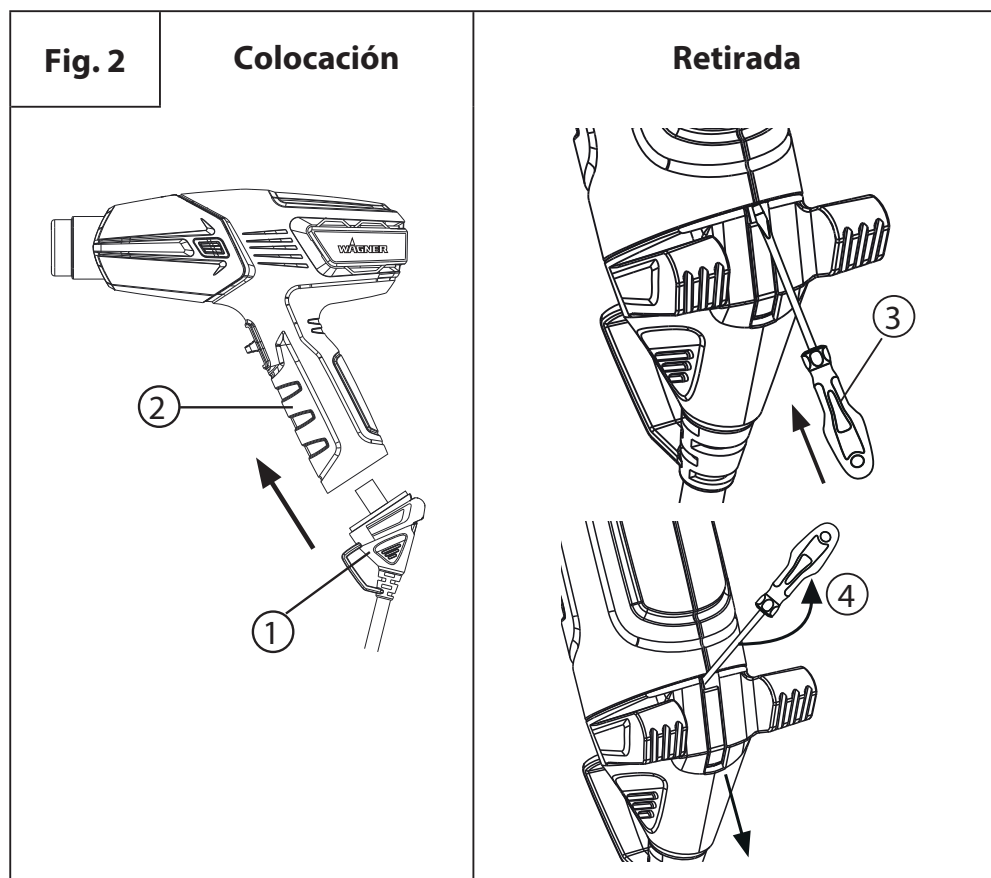


Desmontaje del recubrimiento del cañón

El recubrimiento del cañón se puede retirar al trabajar en lugares difícilmente accesibles. **PRECAUCIÓN CON LA BOQUILLA.** Existe un mayor riesgo de quemaduras al trabajar sin la cubierta del cañón. Para retirar el recubrimiento del cañón, utilice un destornillador plano pequeño para levantar la pestaña (Fig. 1, 7) por la zona elevada.

Colocación y retirada del inserto de cable

El cable de alimentación (Fig. 2, 1) para la pistola de aire caliente se entrega separado de la pistola (Fig. 2, 2). Para fijarlo, alinee el cable con la toma en el mango de la pistola y apriete firmemente hasta oír un clic. No se requiere quitar el cable de alimentación. Si hay que retirar el inserto de cable, introduzca en el agujero un pequeño destornillador plano (fig. 2, 3) o una herramienta similar como la que se muestra en la figura. Utilice el destornillador como palanca y presiónelo hacia arriba (4) en dirección al asa para soltar el inserto de cable. Retire el cable de alimentación firmemente de la pistola.



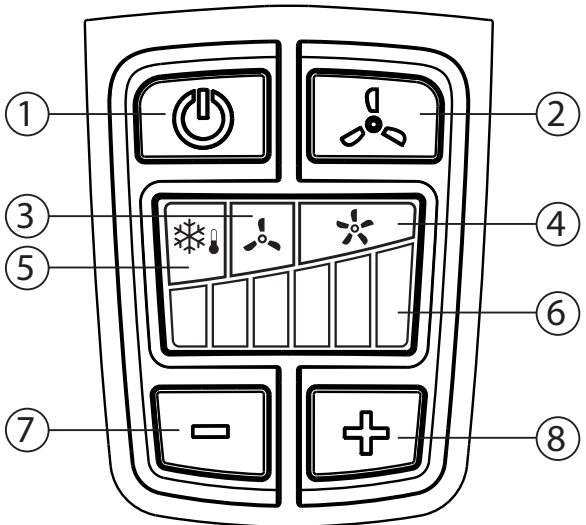
Panel de control táctil

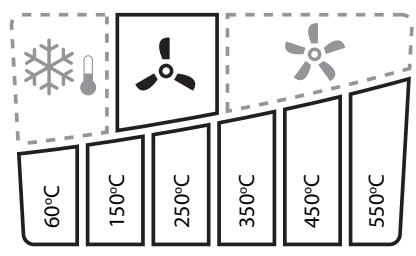
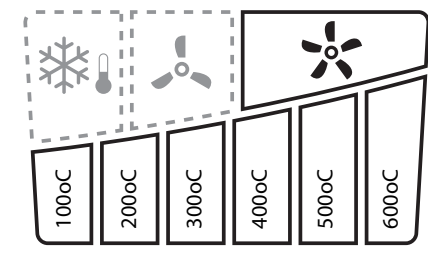
La pistola de aire caliente ofrece un amplio margen de temperatura para elegir en función del tipo de proyecto. La temperatura se puede ajustar a través del panel de control.

Guía de temperatura indicador LED

Descripción Fig. 3	
1) Botón de conexión/desconexión: Conecta y desconecta la pistola de aire caliente y conmuta al modo de enfriamiento	2) Selector de modo: Ajusta el margen de temperatura y la velocidad de flujo del aire utilizado
3) Indicador de modo: Flujo de aire reducido / margen de temperatura reducido (ver Fig. 4, a)	4) Indicador de modo: Flujo de aire elevado / margen de temperatura elevado (ver Fig. 4, b)
5) Indicador de modo Enfriamiento	6) Indicador de temperatura: Muestra el ajuste de suministro de calor actual (ver Fig. 4)
7) Selector de temperatura: Reduce la temperatura (-)	8) Selector de temperatura: Aumenta la temperatura (+)

Fig. 3

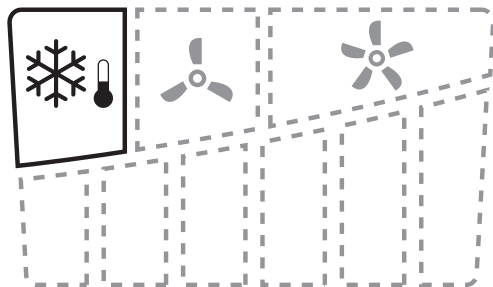


Descripción Fig. 4a & 4b	
Modo de flujo de aire: BAJA Margen de temperatura: 60 °C - 550 °C Temperaturas de ciclo: Ver Fig. 3, (7 & 8) _____ = encendido - - - - - = apagado	Modo de flujo de aire: ALTA Margen de temperatura: 100 °C - 600 °C Temperaturas de ciclo: Ver Fig. 3, (7 & 8) _____ = encendido - - - - - = apagado
Fig. 4a	Fig. 4b
	

Modo de enfriamiento

Durante períodos de descanso o al finalizar el proyecto, pulse el botón de conexión/desconexión para activar el modo de enfriamiento (Fig. 5). El indicador luminoso azul de enfriamiento se enciende y la pistola sigue funcionando con el elemento calentador desactivado para el enfriamiento.

Fig. 5



Arranque



Lea siempre la información de seguridad contenida en este manual antes de utilizar la pistola de aire caliente.

1. Enchufe la pistola de aire caliente en una toma de corriente estándar.
2. Conecte la pistola de aire caliente pulsando el botón de conexión/desconexión en el panel de control (Fig. 3, 1). Cuando la pistola está conectada, se ajustan automáticamente el margen de temperatura reducido (Fig. 4, a) de 60 °C y un flujo de aire reducido.
3. Si desea seguir trabajando con el margen de temperatura reducido, pulse simplemente el botón Más o Menos en la pantalla táctil para seleccionar el ajuste de temperatura deseado; éste se indica al encenderse la barra de temperatura.
4. Si desea trabajar con el margen de temperatura elevado y un ajuste elevado para el flujo de aire, pulse una vez el botón selector de modo (Fig. 3, 2). Se enciende el indicador luminoso del margen de temperatura elevado. Puede pulsar simplemente el botón Más o Menos en el panel de control hasta alcanzar el ajuste de temperatura deseado; éste se indica al encenderse la barra de temperatura.

IMPORTANTE: Si el motor del soplador en la pistola de aire caliente no se conecta al accionar el botón de conexión/desconexión, accione inmediatamente el botón para desconectar el equipo. El elemento calentador se quema si no es refrigerado por el soplador.

5. Durante períodos de descanso o al finalizar el proyecto, pulse el botón de conexión/desconexión para activar el modo de enfria-

miento (Fig. 5). El indicador luminoso azul de enfriamiento se enciende y la pistola sigue funcionando con el elemento calentador desactivado para el enfriamiento.

6. Coloque la pistola en posición vertical. La pistola de aire caliente se desconecta automáticamente al cabo de 3 minutos.
7. Para anular el modo de enfriamiento, pulse el botón de conexión/desconexión y manténgalo pulsado durante 2-3 segundos. La pistola se desconecta inmediatamente.



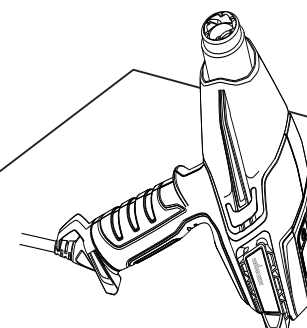
IMPORTANTE: Después del modo de enfriamiento, el cañón de la pistola todavía está caliente.

Nota: Durante la primera puesta en funcionamiento puede aparecer humo al quemarse el aceite utilizado durante la fabricación., Este humo debería desaparecer poco después de la primera conexión.

Funcionamiento manos libres Fig. 6

La pistola de aire caliente tiene un soporte integrado (Fig. 1, 4) para la colocación en el banco de trabajo y para el enfriamiento. Como alternativa, el maletín de transporte opcional de la pistola de aire caliente (Fig. 7) está diseñado específicamente para colocar la pistola de aire caliente en posición vertical para el trabajo en superficies irregulares.

Fig. 6



AngleLoc (maletín de transporte)* Fig. 7a & 7b

A: Inserte la parte posterior de la pistola de aire caliente, de manera que las aletas estabilizadoras posteriores queden colocadas debajo de los rebordes en la pared lateral de la cavidad situada en la parte superior del maletín de transporte.

B: A continuación, deslice la pistola de aire caliente hacia delante para que quede encajada por sí sola en un ángulo de 135 grados. Entonces, la pistola de aire caliente debería estar segura para el uso vertical.

Fig. 7a

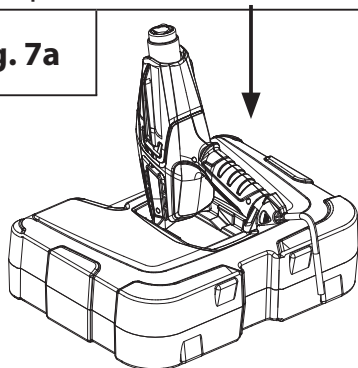
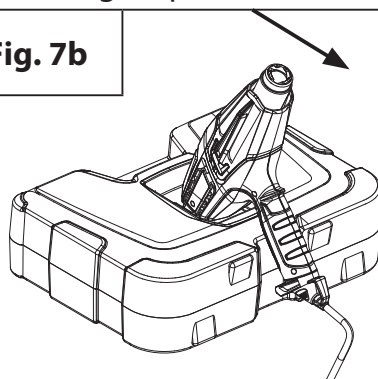


Fig. 7b



*El maletín de transporte AngleLoc se puede adquirir por separado. Ver página 76

IMPORTANTE: Si el ventilador motorizado en la pistola de aire caliente no se conecta al colocar el interruptor en BAJA o ALTA, desconecte inmediatamente el equipo con el interruptor. El elemento calentador se quema si no es refrigerado por el ventilador motorizado.

Nota: Coloque la pistola de aire caliente siempre en posición vertical después de desconectarla, ya sea para una breve interrupción del trabajo o para su almacenamiento. Evite colocar el equipo sobre un lado después de apagarlo. El calor se mantiene en el interior del equipo y el enfriamiento dura más. Solo debe guardar el equipo una vez que la boquilla esté fría. Desenchufe el equipo antes de guardarlo para evitar una puesta en funcionamiento accidental.

IMPORTANTE: Proteja siempre los cristales al trabajar en la proximidad de ventanas.



No toque la boquilla u otras herramientas utilizadas al trabajar. Éstas alcanzan temperaturas muy elevadas y causarían graves quemaduras. Lleve guantes para proteger las manos contra raspaduras calientes.

Las aplicaciones de calentamiento se ven afectadas por numerosas variables, tales como el material a calentar, la temperatura ambiente, la distancia entre la pistola y la superficie a tratar y la técnica de calentamiento. Por este motivo, Wagner ofrece directrices con respecto a la temperatura para determinadas aplicaciones. Conecte la pistola de aire caliente siempre con la temperatura más baja del margen y vaya aumentando el valor hasta alcanzar la temperatura óptima. Mantenga la pistola de aire caliente siempre en movimiento y observe una distancia de, al menos, 5 cm frente a la superficie a tratar mientras vaya aplicando el calor.

La pistola de aire caliente F500 es una de las herramientas más versátiles que pueda poseer. Se puede utilizar para una gran variedad de proyectos, desde grandes tareas de bricolaje hasta pequeñas aplicaciones en la artesanía. Para más detalles sobre múltiples proyectos y vídeos con instrucciones de uso, visite nuestra página web www.wagner-group.com.

Uso		Calor	Opciones punta de boquilla
Bricolaje	Retirada de pintura	ALTA	Concentración o amplia
	Reparar paredes	BAJA	Abierta (sin punta)
	Secar de pintura	BAJA	Abierta (sin punta)
	Reblandecer adhesivos para retirar baldosas	BAJA	Concentración amplia
	Curvar plásticos, plexiglás, fórmica	BAJA/ALTA	Boquilla reflectora
	Retirar fórmica y linóleo	BAJA	Concentración amplia
	Reblandecer pintura, calafateo y masilla para facilitar su retirada	ALTA	Concentración o concentración amplia
	Retirar barniz	BAJA-MEDIO	Concentración amplia
	Contraer lámina de plástico para embalaje o protección contra la intemperie	BAJA	Concentración amplia
Tareas pequeñas (incluyendo reparaciones)	Aflojar tuercas, tornillos y accesorios oxidados	ALTA	Abierta/ concentración
	Reparar tejados	BAJA	Concentración amplia
	Quemar de malas hierbas	ALTA	Concentración
	Retirar de adhesivos	BAJA	Abierta (sin punta)
	Encerar esquís/ snowboard	BAJA	Concentración amplia
	Trabajos con fibra de vidrio	ALTA	Concentración o amplia
	Descongelar tuberías y cerraduras	BAJA	Boquilla reflectora

Uso		Calor	Opciones punta de boquilla
	Encender barbacoas	ALTA	Concentración / boquilla para barbacoa
	Contracción térmica de tubos/conectores	BAJA-MEDIO	Boquilla reflectora
	Calentar hormigón antes de aplicar parches	BAJA/ALTA	Concentración
	Descongelar frigorífico/ congelador	BAJA	Abierta (sin punta)
	Artesanía	Fabricar velas	BAJA
Fabricar jabón		BAJA	Abierta (sin punta)
Embalar regalos en lámina termoencogible		BAJA	Abierta (sin punta)
Conformación de espuma		BAJA	Abierta (sin punta)
Decoración de galletas		BAJA/ALTA	Abierta (sin punta)
Automóvil	Retirar pegatinas, distintivos y calcomanías	BAJA	Abierta (sin punta)
	Eliminar abolladuras	ALTA	Abierta (sin punta)
	Retirar pintura	ALTA	Concentración o amplia
	Aplicar y retirar tinte de cristales	BAJA	Abierta (sin punta)
	Renovar parachoques	ALTA	Abierta (sin punta)
Electrónica	Reparación de smartphones y tabletas	BAJA	Concentración
	Reparación de PlayStation y Xbox	BAJA	Concentración

Retirada de pintura

La pistola de aire caliente calienta la superficie y reblandece así la pintura, con lo cual ésta se puede retirar fácilmente con una rasqueta sin dañar la superficie. Algunas pinturas se pueden reblandecer aunque no formen ampollas; algunas se pueden volver gomosas y algunas pueden necesitar una temperatura más alta.

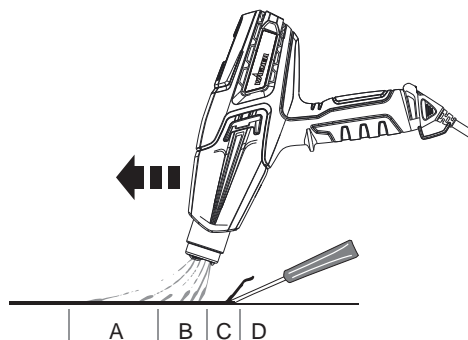
Al trabajar con varias capas de pintura, el proceso de rascado se agiliza calentando a fondo la superficie hasta la madera., entonces se pueden rascar todas las capas a la vez.

Para superficies muy complejas puede ser conveniente utilizar un cepillo de alambre suave. Pinturas minerales y acabados como pintura de cemento y porcelana no se reblandecen con el calor; en consecuencia, el uso de una herramienta de calentamiento no funciona para retirar la pintura.

El mejor método para retirar pintura

Mueva la pistola de aire caliente lenta y uniformemente hacia delante, manteniéndola en un determinado ángulo frente a la superficie y apuntando la boquilla en la dirección de movimiento. Esto permite rascar con seguridad fuera de la corriente de aire caliente y mantiene más frescos tanto el rascador como la superficie a rascar.

- A. El aire caliente precalienta la superficie.
- B. La pintura se reblandece bajo el efecto del aire caliente.
- A + B. Penetración profunda del calor en todo el área.
- C. La pintura se puede rascar fácilmente una vez que se haya reblandecido y la pistola se haya movido hacia delante.
- D. Se deja enfriar la superficie rascada.



Nota: No utilice la pistola de aire caliente en superficies que puedan sufrir daños por calor, tales como paneles, revestimientos o marcos de ventana con recubrimiento de vinilo.

Al retirar pintura de marcos de ventana, la pistola de aire caliente reblandece la masilla. Tenga cuidado de no ranurar la masilla con el rascador. La masilla se vuelve a endurecer al enfriarse.

No utilice la pistola de aire caliente en cristales de ventana con láminas aislantes, tales como Thermopane. La expansión del borde del cristal puede romper el sellado de los bordes.

Al rascar paneles de revestimiento, no sobrecaliente los bordes de las tejas de asfalto que sobresalen del borde del revestimiento. Un calor excesivo funde el asfalto.

IMPORTANTE: La retirada de pintura con la ayuda de una pistola de aire caliente es segura si se observan las instrucciones anteriores. Sin embargo, mantenga siempre a mano un recipiente de agua o un extintor ABC (apropiado para incendios de la clase A, B y C).

Limpeza y mantenimiento

Mantenga los orificios de entrada en la carcasa limpios y libres. Utilice un cepillo suave y seco para limpiar periódicamente los orificios. Utilice únicamente jabón suave y un trapo húmedo para limpiar la pistola de aire caliente. Muchos limpiadores domésticos contienen sustancias químicas que podrían causar serios daños en la carcasa.

No utilice petróleo, trementina, diluyente de lacas o pinturas, líquidos para la limpieza en seco u otros productos para limpiar la pistola de aire caliente.

NUNCA deje que penetren líquidos en el interior de la herramienta ni sumerja cualquier parte de la herramienta en líquidos.

La limpieza y el mantenimiento por parte del usuario no deberían ser realizados por niños, a no ser que sean mayores de 8 años.

Almacenamiento

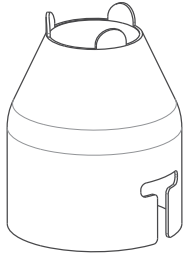
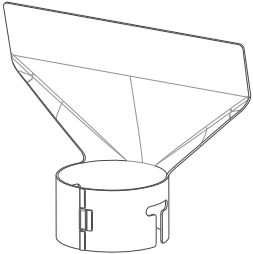
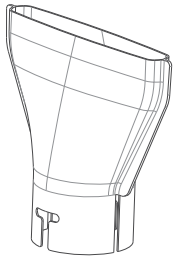
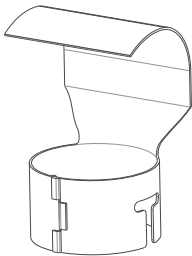
Deje enfriar la pistola de aire caliente a la temperatura ambiente antes de guardarla.

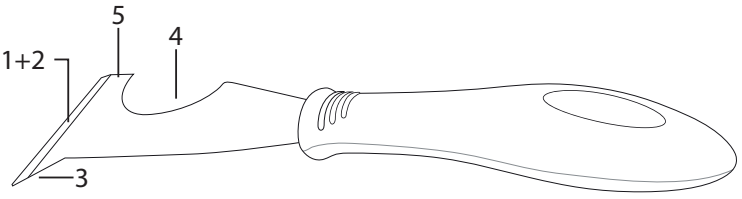
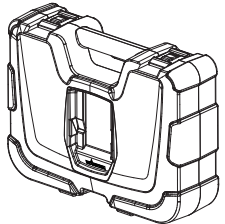
Debido a las altas temperaturas, la boquilla se vuelve negra con el tiempo. Esto es normal y no afecta a las prestaciones ni a la vida útil del equipo.

Accesorios

Los siguientes accesorios pueden estar incluidos en el volumen de entrega de la pistola de aire caliente o se pueden adquirir separadamente a través de www.wagner-group.com/service.

Como alternativa, consulte la contraportada del manual para localizar el Centro de servicio técnico más cercano.

Nombre	Descripción	Nombre	Descripción
Boquilla de concentración P/N2366222 	Dirige un flujo de calor concentrado hacia la superficie de trabajo. Ideal para retirar pintura en esquinas de difícil acceso, grietas, molduras o arquitrabes.	Boquilla de protección para vidrio P/N2366224 	Desvía el calor para la protección de vidrio y otras zonas sensibles. Ideal para alféizares, cornisas, marcos y rodapiés.
Boquilla de concentración amplia P/N2366223 	Dirige un patrón de calor largo y estrecho hacia la superficie de trabajo. Ideal para eliminar pintura o barniz de grandes superficies planas, tales como zócalos, puertas, escaleras, etc. Se debería utilizar en combinación con un rascador plano.	Boquilla reflectora P/N2366225 	Dispersa el calor uniformemente en toda la superficie de trabajo. Ideal para descongelar tuberías congeladas, soldar tuberías, curvar plásticos o encoger manguitos para el aislamiento eléctrico.

Nombre	Descripción
 <p data-bbox="869 223 1086 359">Detalles de la herramienta rascadora 5 en 1 P/N2366227</p>	<p data-bbox="1131 207 2094 367">Esta herramienta tiene 5 funciones. La hoja se utiliza para (1) rascar pintura y (2) extender materiales compuestos. La punta de ranurado (3) se utiliza para retirar masilla/calafateo de grietas abiertas. El área curvada (4) se utiliza para limpiar cubiertas de rodillo. El lado plano (5) se puede utilizar para abrir botes de pintura.</p>
 <p data-bbox="869 438 1030 542">Maletín de transporte P/N2366226</p>	<p data-bbox="1131 438 2094 534">El maletín de transporte de la pistola de aire caliente con AngleLoc está diseñado específicamente para colocar la pistola de aire caliente en posición vertical para el trabajo en superficies irregulares.</p>

IMPORTANTE: Utilice siempre guantes al manejar la pistola de aire caliente.

Para fijar un elemento adicional en la pistola de aire caliente:

1. Coloque la pistola de aire caliente en posición vertical en una superficie plana y espere hasta que la punta se haya enfriado.
2. Coloque el elemento en la punta de la pistola de aire caliente y presione firmemente con la mano para encajarlo.

Para retirar un elemento adicional de la pistola de aire caliente:

1. Coloque la pistola de aire caliente en posición vertical en una superficie plana y espere hasta que la punta se haya enfriado.
2. Retire el elemento de la punta.

Registro del producto

Registre su producto online en www.wagner-group.com/3plus1 para tener derecho a la garantía adicional de 1 año.

Garantía de 3+1 años

La garantía tiene una duración de tres años a partir de la fecha de venta (comprobante de compra). La garantía se extiende en 12 meses adicionales al registrar el aparato online en un plazo de 4 semanas desde su compra a través de www.wagner-group.com/3plus1. El registro solo es posible si el comprador declara su conformidad con el almacenamiento de los datos introducidos durante el registro. La garantía está limitada a la corrección gratuita de fallos imputables de forma demostrable al uso de materiales defectuosos en la fabricación o a errores en el montaje; o bien la sustitución gratuita de los elementos defectuosos. La garantía no cubre el uso incorrecto ni la ejecución de trabajos de puesta en servicio, montaje y reparación que no se encuentren descritos en nuestras instrucciones de servicio. Asimismo, las piezas de desgaste están excluidas de la garantía. La garantía no cubre el uso comercial. Nos reservamos expresamente el derecho de cumplimiento de la garantía. La garantía se extingue en caso de apertura de la herramienta por personas que no pertenezcan al servicio técnico de Wagner. La garantía no cubre daños de transporte, trabajos de mantenimiento y pérdida o defecto por causa de un mantenimiento incorrecto. Cualquier reclamación bajo garantía se deberá acompañar del comprobante de compra original de la herramienta. En la medida que lo permita la ley, excluimos toda responsabilidad en caso de lesiones, daños o pérdidas consecuenciales, especialmente en caso de uso de la herramienta para fines no indicados en las instrucciones de servicio, puesta en servicio o reparación de una manera no prevista en nuestras instrucciones de servicio o ejecución de reparaciones por personas no cualificadas. Nos reservamos el derecho de realizar reparaciones que superen las indicaciones contenidas en nuestras

instrucciones de servicio. En caso de reclamación bajo garantía o reparación, consulte a su punto de venta. Esta garantía no afecta a sus derechos legales.

INFORMACIÓN SOBRE LA ELIMINACIÓN DE RESIDUOS DE APARATOS ELÉCTRICOS Y ELECTRONICOS (DENOMINADOS COMO RAEE)



El aparato, junto con sus accesorios y su embalaje, se debería destinar al reciclaje adecuado. No tire el aparato junto con la basura doméstica. Ayude a mantener limpio el medio ambiente y lleve así su aparato a un centro local de recogida de residuos o infórmese del modo de proceder a este respecto en el comercio especializado.

Declaración UE de conformidad

Mediante la presente garantizamos, bajo nuestra exclusiva responsabilidad, que este producto cumple con las correspondientes disposiciones:

2014/35/UE, 2014/30/UE, 2011/65/UE, 2012/19/UE

Normas armonizadas aplicadas:

EN 60335-1, EN 60335-2-45, EN 55014-1, EN 55014-2,
EN 61000-3-2, EN 61000-3-3, EN 62233

El producto viene acompañado de la declaración UE de conformidad. Si lo necesita, puede pedirla adicionalmente por el número de pedido **2389336**.



Informação de Segurança Importante • Leia toda a informação de segurança antes de utilizar o equipamento. Guarde estas instruções

Para reduzir os riscos de incêndio ou explosão, choque elétrico e lesões em pessoas, leia e procure compreender bem todas as instruções incluídas neste manual. Familiarize-se com os controlos e a utilização correta do equipamento.



Indica uma situação perigosa a qual, se não for evitada, poderá resultar em morte ou ferimento grave.

PERIGO: INTOXICAÇÃO

Deve haver um extremo cuidado ao remover tinta. Os resíduos do descascamento e os vapores da tinta podem conter chumbo, que é tóxico. Qualquer tinta aplicada em casas anteriores a 1950 contém muito provavelmente chumbo. Qualquer tinta produzida antes de 1977 poderá eventualmente conter chumbo. Quando a tinta é depositada em superfícies, o contacto de mãos para boca pode resultar na ingestão de chumbo. A exposição a níveis de chumbo, mesmo sendo baixos, pode causar danos irreversíveis no cérebro e sistema nervoso. As crianças e os nascituros são particularmente vulneráveis à intoxicação por chumbo.

Antes de iniciar o processo de remoção de qualquer tinta, deve verificar se a tinta que vai remover contém chumbo. Tal pode ser feito pelo departamento de saúde local ou por um profissional que utilize um analisador de tinta para verificar o teor de chumbo da tinta que vai ser removida. A tinta à base de chumbo só deve ser removida por um profissional e não deve ser retirada utilizando-se uma Pistola de Ar Quente.

PREVENÇÃO:

Leve a peça que vai trabalhar para o exterior, abrigada da chuva. Se não for possível, mantenha a zona de trabalho bem ventilada. Abra as janelas e coloque uma ventoinha de exaustão numa das janelas. Certifique-se de que a ventoinha está a deslocar o ar do interior para o exterior.

- Remova ou cubra os tapetes, carpetes, móveis, roupa, utensílios de cozinha e condutas de ar.

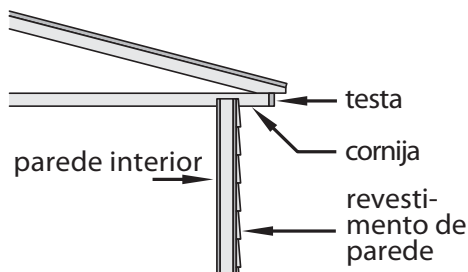
- Coloque panos na zona de trabalho para apanharem lascas ou cascas de tinta. Use roupa de proteção, tal como camisa de trabalho extra, fato macaco e chapéu.
- Trabalho num compartimento de cada vez. Os móveis devem ser retirados ou colocados no centro do compartimento e em seguida tapados. As zonas de trabalho devem ser isoladas do resto da habitação, selando as entradas com panos.
- Use uma máscara respiratória anti poeira aprovada ou uma máscara respiratória de filtro dual para poeira e vapores. Tanto estas máscaras como os filtros substituíveis estão disponíveis prontos nas principais lojas de ferragens. Certifique-se de que a máscara lhe assenta corretamente. A barba e o pelo facial podem impedir a máscara de vedar corretamente. Mude os filtros com frequência. As máscaras de papel descartáveis não são adequadas.
- Tenha cuidado ao utilizar a Pistola de Ar Quente. Mantenha a Pistola de Ar Quente a mover-se, pois o calor excessivo gera vapores que podem ser inalados pelo operador.
- Mantenha alimentos e bebidas fora da zona de trabalho. Lave as mãos, braços e rosto e enxague a boca antes de comer ou beber. Não fume nem mastigue pastilha elástica ou tabaco na zona de trabalho.
- Limpe toda a tinta e poeira, molhando e esfregando o chão. Use um pano húmido para limpar todas as paredes, parapeitos e qualquer outra superfície onde estiver pegada poeira de tinta. Não varra nem aspire o pó seco. Utilize um detergente com elevada concentração de fosfato, de fosfato trissódico (TSP) para lavar e esfregar as áreas.
- No final de cada sessão de trabalho, coloque as lascas de tinta e o entulho num saco plástico duplo, feche-o com fita adesiva ou amarre-o com fitas e elimine-o de forma correta.
- Remova os panos de proteção e o calçado de trabalho na zona de trabalho para evitar levar poeira para o resto do edifício. Lave a roupa de trabalho em separado. Limpe os sapatos com um trapo húmido e depois lave-os com as roupas de trabalho. Lave muito bem o cabelo e o corpo com água e sabão.

RISCO: EXPLOSÃO OU INCÊNDIO

Esta Pistola de Ar Quente produz temperaturas extremamente elevadas (600 °C). Deve ser utilizada com cuidado para evitar que o material combustível entre em ignição.

PREVENÇÃO:

- Mantenha a Pistola de Ar Quente em constante movimento. Não a pare nem a fixe num único ponto.
- Tenha um extremo cuidado se o outro lado do material que se raspa estiver inacessível, como por exemplo revestimentos de paredes de casas. O lado oculto poderá pegar fogo se ficar demasiado quente. Alguns edifícios contêm materiais altamente inflamáveis detrás dos revestimentos das paredes, pavimentos, testas e cornijas e outros painéis. Verifique estas áreas antes de aplicar calor e não utilize uma ferramenta emissora de calor se estiverem presentes materiais inflamáveis ou se não tiver a certeza de que material está oculto.
- Não utilize superfícies próximas com rachaduras ou próximas de tubos metálicos ou brilhantes. O calor pode ser conduzido por trás da superfície de trabalho e por em ignição o material oculto. A ignição dos materiais ocultos pode não ser imediatamente aparente, podendo resultar em danos materiais e lesões corporais.
- Não utilize ferramentas elétricas na presença de líquidos ou gases inflamáveis.
- Não utilize próximo de materiais combustíveis, tais como relva seca, folhas e papel, que podem arder e atear um incêndio.
- A agulheta fica muito quente. Não pouse a Pistola de Ar Quente em superfícies inflamáveis quando estiver a utilizá-la ou imediatamente depois de a desligar. Coloque sempre a pistola numa superfície plana e nivelada, para que a ponta da agulheta fique direcionada para cima e afastada da superfície de apoio.
- Não toque na agulheta até a ferramenta arrefecer.
- Não utilize a Pistola de Ar Quente como secador de cabelo.
- As ferramentas e as raspagens de pintura ficam muito quentes. Para evitar queimaduras, use luvas de trabalho e proteção para olhos quando estiver a raspar.
- Trate sempre a Pistola de Ar Quente como se fosse uma chama aberta.



- Não utilize na presença de uma atmosfera explosiva.

RISCO: PARTE ELÉTRICA

Pode causar danos materiais, ferimentos graves ou perda de vida.

PREVENÇÃO:

- Não desmantele a Pistola de Ar Quente.
- Não trabalhe em zonas húmidas nem exponha a Pistola de Ar Quente a chuva ou humidade.
- Resgarse de choque elétrico, evitando o contacto do corpo com superfícies ligadas à terra, tais como tubos, radiadores, fogões, escadotes de alumínio ou outros dispositivos ligados à terra.
- Não utilize mal o cabo. Nunca pegue na Pistola de Ar Quente pelo cabo nem puxe pelo cabo para desligar da alimentação de energia. Mantenha o cabo afastado de calor, óleo e esquinas afiadas. Inspeccione o cabo quanto a desgaste ou dano com regularidade.
- Se algum cabo de extensão estiver danificado ou de outra forma estiver inadequado para uso, substitua-o por um novo cabo de extensão.

PERIGO: GENERALIDADES

Pode causar dano material ou ferimento grave.

PREVENÇÃO:

- Desligue sempre a Pistola de Ar Quente da alimentação de energia quando não estiver a ser utilizada. Armazene-a dentro de casa em lugar seco e fora do alcance de crianças não vigiadas.
- Mantenha a sua zona de trabalho bem iluminada e limpa.
- Não se estique, sobretudo quando estiver a trabalhar em escadotes. Mantenha-se sempre sobre uma base estável e mantenha o equilíbrio. Certifique-se de que quaisquer escadotes a ser utilizados sejam robustos, estáveis, estejam sobre piso firme e erguidos em ângulos de trabalho seguros.
- Evite linhas elétricas.
- Mantenha fixos e estáveis os artigos móveis enquanto os raspa.
- Use sempre equipamento de proteção dos olhos enquanto estiver a trabalhar.
- Fique alerta e use de bom senso ao utilizar qualquer ferramenta.
- Nunca utilize para descongelar canos congelados no interior de paredes ou perto de combustíveis. Utilize sempre o agulheta defletora (P/N2366225) para descongelar tubos congelados.
- Não deixe a Pistola de Ar Quente sem vigilância enquanto estiver ligada.
- Este aparelho pode ser utilizado por crianças a partir dos 8 anos de idade e pessoas com faculdades reduzidas físicas, sensoriais ou

mentais ou sem experiência e conhecimento se tiverem recebido supervisão ou instrução sobre a utilização do aparelho de forma segura e se compreenderem os riscos envolvidos. As crianças não podem brincar com o aparelho.

- Mantenha o aparelho e o respetivo cabo elétrico fora do alcance de crianças.

LIGAÇÃO À REDE

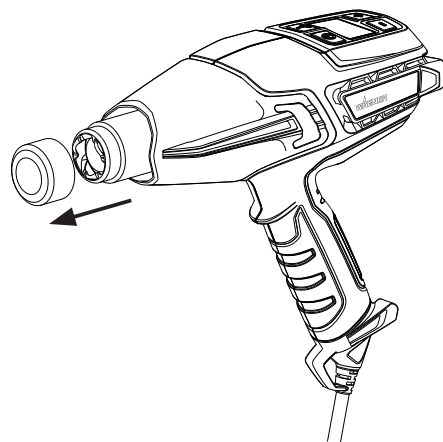
Esta Pistola de Ar Quente é fornecida com um cabo elétrico. Se o cabo estiver danificado, substitua-o por um novo cabo para evitar risco de segurança. Contacte os serviços Wagner de assistência ao cliente para uma substituição de cabo elétrico.

EM CASO DE DÚVIDA CONSULTE UM ELETRICISTA QUALIFICADO.

AVISO - Use um cabo de extensão que aceite a ficha no produto. Certifique-se de que o seu cabo de extensão esteja em boas condições. Ao utilizar um cabo de extensão, certifique-se de usar um suficientemente pesado para transportar a corrente que o seu produto vai absorver. Um cabo de tamanho insuficiente causará uma queda na voltagem da linha resultando em perda de potência e em sobreaquecimento. Como mínimo é necessário um cabo de tipo borracha harmonizado H05RR-F 3 x 1.0sq mm para uso geral.

Tampa Protetora

AVISO - Remova a tampa plástica e elimine-a antes de usar a sua Pistola de Ar Quente.



Utilizar a Pistola de Ar Quente

Descrição geral

Esta Pistola de Ar Quente é uma ferramenta de elétrica de qualidade. Como qualquer outra ferramenta elétrica, pode ser perigosa se for mal-usada. Leia atentamente as seguintes instruções e siga todas as precauções de segurança. O proprietário é responsável por usar a Pistola de Ar Quente corretamente.

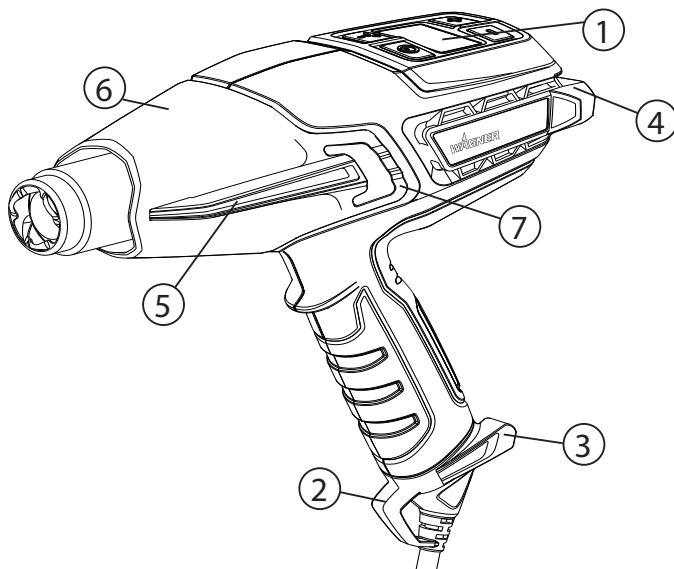
Especificações

Estrutura	Polímeros acabados resistentes a alto impacto e ao calor
Potência em Watt	2000 Watts em ELEVADO, 150 Watts em BAIXO
Voltagem	220 - 240 V c.a.
Frequência	50 - 60 Hz
Saída de calor	Aproximadamente 600 °C em ELEVADO, aproximadamente 60 °C em BAIXO
Peso	0,9 kg

Características, Fig. 1

- 1) Painel de controlo - temperatura e velocidade da ventoinha
- 2) Gancho para pendurar
- 3) Cabo elétrico com estabilizadores integrados (removíveis com ferramenta)
- 4) Aletas de estabilizador traseiras (de pé, na posição vertical)
- 5) Barras laterais para impedir que a agulheta toque na superfície
- 6) Proteção Anti Calor da Agulheta

Fig. 1



Remover a cobertura do tambor

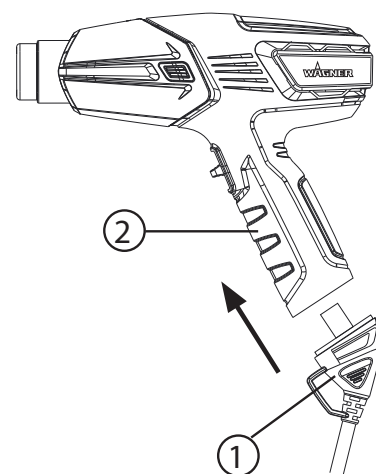
A cobertura do tambor pode ser removida quando trabalhar em locais de difícil acesso. **TENHA CUIDADO COM A AGULHETA.** Aumenta o risco de queimadura quando trabalhar sem a tampa do cilindro. Para remover a cobertura do tambor, use uma pequena chave de fendas de cabeça para levantar a lingueta (Fig. 1, 7) sobre a área levantada.

Instalação e remoção do conjunto do cabo

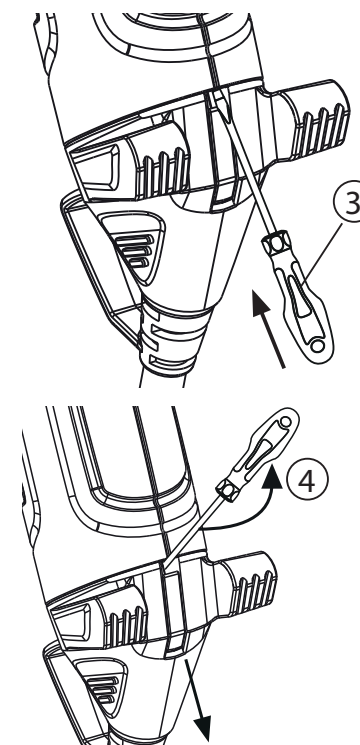
O cabo elétrico (Fig. 2, 1) para a Pistola de Ar Quente é fornecido separado da pistola (Fig. 2, 2). Para o fixar, alinhe o cabo com a tomada no manípulo da pistola e pressione-os vigorosamente até ouvir um clique. O cabo elétrico não precisa de ser retirado. Se tiver de remover o conjunto do cabo, insira uma chave de fendas pequena (Figs, 2, 3), ou uma ferramenta semelhante, no orifício, da forma indicada na figura. Utilize a chave de fendas como uma alavanca e pressione-a para cima (4), na direção do punho, para soltar o conjunto do cabo. Puxe firmemente o cabo elétrico para fora da pistola.

Fig. 2

Instalação



Remoção

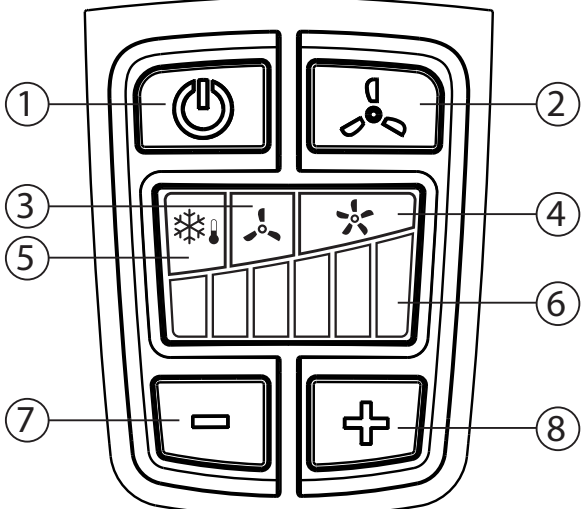


Painel de Controlo com Teclado Tátil

A Pistola de Ar Quente permite-lhe escolher a partir de uma ampla faixa de temperaturas, dependendo do tipo de projeto. A temperatura pode ser regulada através do Painel de Controlo.

Ecrã LED de Guia de Temperatura

Descrição da Fig. 3	
1) Botão de ligar: LIGA e DESLIGA a Pistola de Ar Quente ou comuta para o modo de arrefecimento	2) Seletor de modo: Define a faixa de temperatura e a velocidade do fluxo de ar que está a usar
3) Indicador de modo: Fluxo de ar baixo / faixa de temperaturas baixa (ver Fig. 4, a)	4) Indicador de modo: Fluxo de ar elevado/ faixa de temperaturas elevada (ver Fig. 4, b)
5) Indicador de modo: Arrefecimento	6) Indicador de temperatura: Mostra o ajuste atual de saída de calor (ver Fig. 4)
7) Seletor de temperatura: Reduz a temperatura (-)	8) Seletor de temperatura: Aumenta a temperatura (+)

Fig. 3


Descrição da Fig. 4a & 4b

Modo de fluxo de ar:
BAIXO

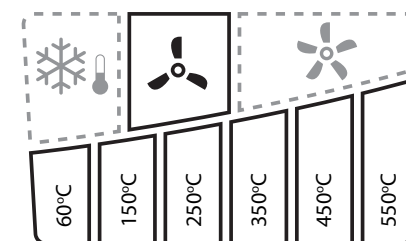
temperatura range:
60 °C - 550 °C

Temperaturas de ciclo:
Ver a Fig. 3, (7 & 8)

_____ = iluminada

- - - - - = não iluminada

Fig. 4a



Modo de fluxo de ar:
ELEVADO

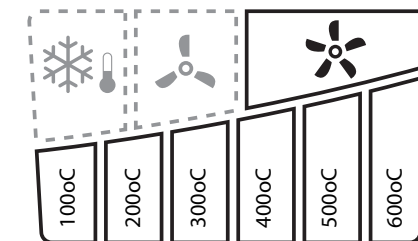
temperatura range:
100 °C - 600 °C

Temperaturas de ciclo:
Ver a Fig. 3, (7 & 8)

_____ = iluminada

- - - - - = não iluminada

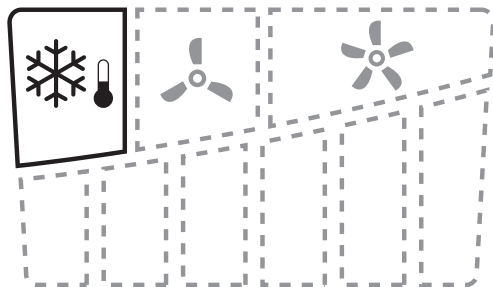
Fig. 4b



Modo de Arrefecimento

Durante os períodos de descanso, ou quando tiver terminado o seu projeto, prima o botão de ligar para introduzir o modo de arrefecimento (Fig. 5). A luz indicadora azul de arrefecimento acende e a pistola continua a funcionar com o elemento desativado, para arrefecimento.

Fig. 5



Inicialização



Leia sempre as informações incluídas neste manual antes de usar a Pistola de Ar Quente.

1. Insira a Pistola de Ar Quente numa tomada padrão.
2. Ligue a Pistola de Ar Quente, pressionando o botão de ligar no Painel de Controlo (Fig. 3, 1). Quando a pistola é ligada, é automaticamente colocada na faixa de temperaturas baixas (Fig. 4, a) a 60 °C e num ajuste de fluxo de ar baixo.
3. Se quiser continuar a trabalhar dentro da faixa de temperaturas, basta premir o botão "mais" ou "menos" no painel tátil até estar selecionado o ajuste de temperatura; isto será indicado por acender a barra de temperatura.
4. Se quiser trabalhar dentro do ajuste da faixa de temperaturas elevada e fluxo de ar elevado, prima o seletor de modo (Fig. 3, 2) uma vez. A luz indicadora de faixa de temperaturas acende. Agora basta premir o botão "mais" ou "menos" no Painel de Controlo até atingir o seu ajuste de temperatura desejado; isto será indicado por acender a barra de temperatura.

IMPORTANTE: Se o motor do ventilador na Pistola de Ar Quente não ligar quando o botão de ligar é ativado, DESLIGUE o interruptor imediatamente. O elemento de aquecimento queima se não for refrigerado pelo ventilador.

5. Durante os períodos de descanso, ou quando tiver terminado o seu projeto, prima o botão de ligar para introduzir o modo de

arrefecimento (Fig. 5). A luz indicadora azul de arrefecimento acende e a pistola continua a funcionar com o elemento desativado, para arrefecimento.

6. Pouse a pistola numa posição vertical. A Pistola de Ar Quente desligará após 3 minutos.
7. Para ultrapassar o modo de arrefecimento, prima e segure o botão de ligar durante 2 a 3 segundos. A pistola desligará imediatamente.



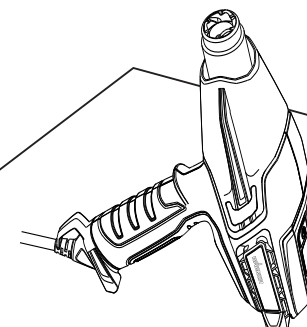
IMPORTANTE: A seguir ao modo de arrefecimento, o cilindro da pistola ainda está quente.

Nota: Poderá aparecer fumo durante o início devido aos óleos de fabrico a arder. O fumo deve desaparecer pouco depois do primeiro início.

Fig. Operação de mãos livres 6

A Pistola de Ar Quente em um suporte integrado (Fig. 1, 4) para aplicações de bancada e para arrefecimento. Em alternativa, o estojo de transporte opcional da Pistola de Ar Quente (Fig. 7) foi especificamente concebido para colocar a Pistola de Ar Quente na posição vertical para trabalhar em superfícies irregulares.

Fig. 6



AngleLoc (estojo de transporte)* Fig. 7a & 7b

A: Insira a parte traseira da Pistola de Ar Quente para que as aletas de estabilizador traseiras se situem por si próprias debaixo dos rebordos na parede lateral da cavidade no cimo do estojo de transporte.

B: Em seguida, deslize a Pistola de Ar Quente para a frente, para ela se bloqueie naturalmente no seu lugar a um ângulo de 135 graus. A Pistola de Ar Quente deve agora estar segura para uso vertical.

Fig. 7a

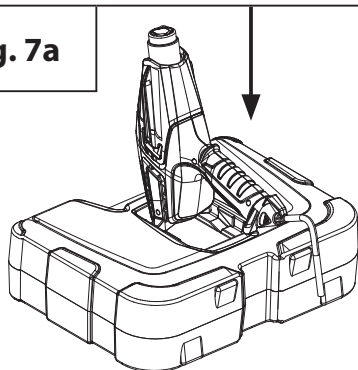
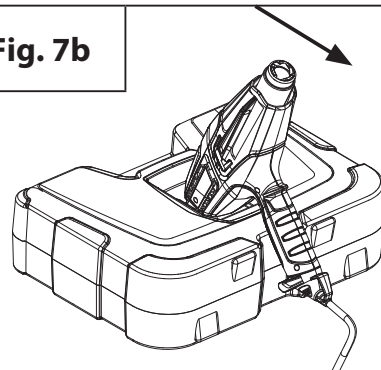


Fig. 7b



*O estojo de transporte AngleLoc pode ser comprado em separado. Ver página 89

IMPORTANTE: Se a ventoinha acionada por motor na Pistola de Ar Quente não ligar quando o interruptor é colocado em BAIXO ou ELEVADO, DESLIGUE o interruptor imediatamente. O elemento de aquecimento queima se não for refrigerado pela ventoinha acionada por motor.

Nota: Colocar sempre a Pistola de Ar Quente na vertical depois de ser desligada, tanto para um pequeno intervalo como para armazenamento. Evite deitar a unidade de lado após desligá-la. O calor permanecerá na unidade e o arrefecimento demorará mais. Armazene a unidade somente depois de a agulheta estar fria. Retire a unidade da ficha antes de armazenar, a fim de evitar um arranque involuntário.

IMPORTANTE: Proteja sempre os vidros quando trabalhar perto de janelas.



Não toque na agulheta ou qualquer outra ferramenta a ser usada quando estiver a trabalhar. Elas ficam extremamente quentes e causarão queimaduras graves. Use luvas para proteger as mãos de raspagens quentes.

Uma variedade de fatores afeta as aplicações de calor, como por exemplo o material que é aquecido, a temperatura ambiente, a distância da pistola ao substrato e a técnica de aquecimento. Por essa razão, a Wagner fornece diretrizes sobre temperatura para determinadas aplicações. Inicie a Pistola de Ar Quente sempre com a temperatura mais baixa da faixa de temperaturas e depois suba a temperatura até ser atingida a temperatura ideal. Mantenha sempre a Pistola de Ar Quente em movimento e pelo menos 5 cm afastada do substrato quando aplicar calor.

A Pistola de Ar Quente F500 é uma das ferramentas mais versáteis que poderá possuir. Pode ser usada para uma grande variedade de projetos, desde grandes trabalhos "faça você mesmo" a pequenos trabalhos de arte e artesanato. Para mais detalhes sobre múltiplos projetos e vídeos 'como fazer' visite o nosso site www.wagner-group.com.

Uso		Calor	Opções para a Ponta da Agulheta
Faça você mesmo	Remover tinta	ELEVADO	Concentradora ou Larga
	Reparação de paredes	BAIXO	Aberta (sem ponta)
	Secar tinta	BAIXO	Aberta (sem ponta)
	Amaciar as substâncias adesivas para remover mosaicos do chão	BAIXO	Concentradora larga
	Dobrar plástico, plexiglass, formica	BAIXO/ ELEVADO	Agulheta reflectora
	Remover formica e linóleo	BAIXO	Concentradora larga
	Amaciar tinta, calafetagem e massa de vidraceiro para remoção mais fácil	ELEVADO	Concentradora ou Concentradora larga
	Remover verniz	BAIXO- MÉD	Concentradora larga
	Retrair película plástica para acondicionamento ou proteção climática	BAIXO	Concentradora larga
Pequenos trabalhos (incluindo reparações)	Desapertar porcas, parafusos e ferragens enferrujados	ELEVADO	Aberta/ Concentradora
	Reparar jeans	BAIXO	Concentradora larga
	Queimar ervas daninhas	ELEVADO	Concentradora
	Remover substâncias adesivas	BAIXO	Aberta (sem ponta)

Uso		Calor	Opções para a Ponta da Agulheta
	Encerar esquis/ pranchas de neve	BAIXO	Concentradora larga
	Trabalho em fibra de vidro	ELEVADO	Concentradora ou Larga
	Descongelar tubos e fechos	BAIXO	Agulheta reflectora
	Acender um churrasco	ELEVADO	Concentradora / Agulheta BBQ
	Encolher por calor tubos/conectores	BAIXO- MÉD	Agulheta reflectora
	Aquecer cimento antes de consertar	BAIXO/ ELEVADO	Concentradora
	Descongelar frigorífico / congelador	BAIXO	Aberta (sem ponta)
	Arte e artesanato	Fazer velas	BAIXO
Fazer sabão		BAIXO	Aberta (sem ponta)
Retrair material de embalar presentes		BAIXO	Aberta (sem ponta)
Formar espuma		BAIXO	Aberta (sem ponta)
Decoração de bolachas		BAIXO/ ELEVADO	Aberta (sem ponta)
Automóveis	Remover autocolantes, emblemas e decalques	BAIXO	Aberta (sem ponta)
	Remover amolgadelas	ELEVADO	Aberta (sem ponta)
	Remover tinta	ELEVADO	Concentradora ou Larga
	Aplicar e remover tingimento de janelas	BAIXO	Aberta (sem ponta)

Uso		Calor	Opções para a Ponta da Agulheta
	Restaurar para-choques	ELEVADO	Aberta (sem ponta)
Material eletrônico	Reparação de smartphones e tablets	BAIXO	Concentradora
	Reparação de PlayStations e Xbox	BAIXO	Concentradora

Remover tinta

A Pistola de Ar Quente aquece a superfície e suaviza a tinta, podendo ser raspada facilmente sem danificar a superfície. Algumas pinturas poderão suavizar mesmo sem empolar; algumas poderão ficar semelhantes a borracha e algumas poderão precisar de mais calor.

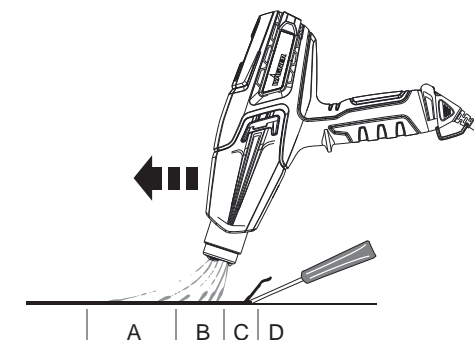
Ao trabalhar com várias camadas de tinta, acelera o processo de raspagem para aquecer a superfície por completo, até à madeira. em seguida, todas as camadas podem ser raspadas em simultâneo.

Uma escova de fios metálicos macios poderá ser a melhor ferramenta a usar para superfícies muito complexas. As tintas e os acabamentos minerais, como tinta de cimento e porcelana, não suavizam com calor, pelo que usar uma ferramenta de calor não funciona para a remoção da tinta.

O melhor método para remoção de tinta

Mova a Pistola de Ar Quente lenta e progressivamente para a frente, num ângulo relativamente à superfície, apontando a agulheta na direção do movimento. Isto permite-lhe raspar em segurança fora do fluxo de ar quente e manter mais frio o raspador e o refrigerador da superfície raspada.

- A. Ar quente pré-aquece a superfície.
- B. A tinta é suavizada por ar quente.
- A + B. Penetração de calor sobre a área total.
- C. A tinta pode ser facilmente retirada por raspagem assim que é suavizada e a pistola é movida para a frente.
- D. Superfície listrada que pode ser arrefecida.



Nota: Não utilize a Pistola de Ar Quente em superfícies que possam ficar danificadas pelo calor, tal como painéis revestidos de vinilo, revestimentos laterais de vinilo ou quadros de janelas revestidos de vinilo.

Quando remover tinta da caixilharia das janelas, a Pistola de Ar Quente suavizará a massa de vidraceiro. Tenha cuidado para não arrancar a massa de vidraceiro com o raspador. A massa de vidraceiro fica firme após arrefecer.

Não utilize a Pistola de Ar Quente em vidro de janela isolante laminado, como termopanel. A expansão da borda do vidro poderá quebrar a vedação da borda.

Ao raspar testas, não sobreaqueça as bordas de lajes de asfalto salientes sobre a borda do revestimento. Demasiado calor fundirá o asfalto.

IMPORTANTE: A remoção de tinta pela Pistola de Ar Quente é segura se forem usadas as diretrizes acima apresentadas, mas sempre mantendo ao alcance um recipiente de água ou um extintor de incêndio ABC (adequado para tipos de incêndios de Classe A, B e C).

Limpeza e Manutenção

Mantenha as aberturas de alimentação existentes na estrutura limpas e sem obstruções. Use uma escova macia e seca para limpar as aberturas periodicamente. Use apenas sabão suave e um pano húmido para limpar a Pistola de Ar Quente. Qualquer detergente doméstico contém químicos que podem danificar gravemente a estrutura.

Não utilize petróleo, terebentina, laca ou diluente, líquidos de limpeza a seco ou produtos semelhantes quando limpar a Pistola de Ar Quente.

NUNCA deixe entrar líquido na ferramenta nem mergulhe qualquer peça da ferramenta num líquido.

As operações de limpeza e de manutenção não podem ser levadas a cabo por crianças.

Armazenamento

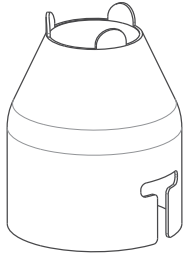
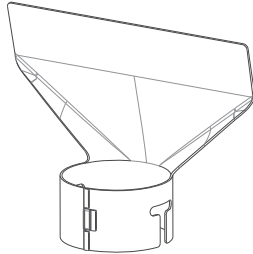
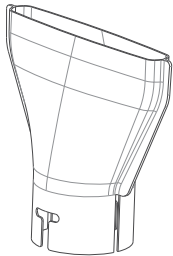

Deixe a Pistola de Ar Quente agulheta arrefecer à temperatura ambiente antes de a armazenar.

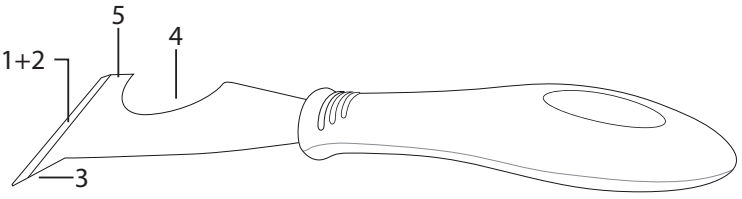
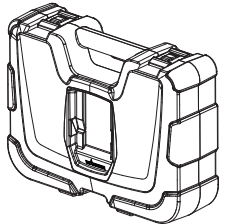
A agulheta fica escura ao longo do tempo por causa do calor elevado. Isto é normal e não vai afetar o desempenho ou a duração da unidade.

Acessórios

Os seguintes acessórios poderão ser fornecidos com a Pistola de Ar Quente ou poderão ser comprados em separado, visitando-nos em www.wagner-group.com/service.

Em alternativa, consulte na contracapa do manual o Centro de Assistência Técnica mais próximo.

Nome		Descrição	Nome		Descrição
Agulheta concentradora P/N2366222		Dirige um fluxo de calor concentrado para a superfície de trabalho. Ideal para remover tinta em cantos difíceis, fendas, astrágalos ou arquitraves.	Agulheta protetora de vidros P/N2366224		Deflete o calor, afastando-o de vidro ou outras áreas frágeis. Ideal para peitoris, cornijas, caixilharia e rodapés.
Agulheta Concentradora Larga P/N2366223		Dirige o calor de forma comprida e estreita para a superfície de trabalho. Ideal para remover tinta ou verniz de superfícies grandes e planas tais como rodapés, portas, escadas, etc. Deve ser usado juntamente com um raspador plano.	Agulheta reflectora P/N2366225		Dispersa o fluxo de calor de maneira uniforme em volta de toda a superfície de trabalho. Ideal para degelar canos congelados, trabalhos de solda em canos, dobrar plásticos ou encolher por calor tubagens elétricas isolantes.

Nome	Descrição
 <p>Ferramenta de Raspagem 5-em-1 em detalhe P/N2366227</p>	<p>Esta ferramenta tem 5 funções. A lâmina é usada para (1) raspar tinta e (2) espalhar composto. O ponto de goiva (3) é usado para remover massa de vidraceiro/calafetagem de rachaduras abertas. A área curvada (4) é usada para limpar coberturas de rolos. O lado plano (5) pode ser usado para abrir latas de tinta.</p>
 <p>Estojo de transporte P/N2366226</p>	<p>O estojo de transporte da Pistola de Ar Quente com AngleLoc foi especificamente concebido para colocar a Pistola de Ar Quente na posição vertical para trabalhar em superfícies irregulares.</p>

IMPORTANTE: Use sempre luvas quando manusear a Pistola de Ar Quente.

Para instalar um artigo opcional na Pistola de Ar Quente:

1. Coloque a Pistola de Ar Quente na vertical numa superfície nivelada e aguarde até a ponta estar fria.
2. Coloque o artigo na ponta da Pistola de Ar Quente e com a mão empurre firmemente inserindo no lugar.

Para remover um artigo opcional, da Pistola de Ar Quente:

1. Coloque a Pistola de Ar Quente na vertical numa superfície nivelada e aguarde até a ponta estar fria.
2. Retire o artigo, puxando-o da ponta.

Registo do Produto

Registe o seu produto online em www.wagner-group.com/3plus1 para se candidatar à garantia adicional de 1 ano.

3+1 anos de garantia

A garantia é válida para três anos, a contar da data da venda (recibo). A garantia é alargada por mais 12 meses se o dispositivo for registado online no período de 4 semanas a contar da data da compra www.wagner-group.com/3plus1. Um registo só é possível se o comprador concordar com o armazenamento dos seus dados a serem aí inseridos. A garantia cobre e está limitada à retificação gratuita de defeitos que sejam comprovadamente atribuídos ao uso de materiais no fabrico, ou erros de montagem; ou substituição gratuita das peças defeituosas. A garantia não cobre o uso ou a colocação em funcionamento incorretos ou o trabalho de instalação ou reparação que não esteja referido no nosso manual de operação. As peças de desgaste também estão excluídas da garantia. A garantia exclui o uso comercial. Reservamo-nos o direito do cumprimento da garantia. A garantia expira se a ferramenta for aberta por pessoas que não pertençam ao pessoal de assistência técnica da Wagner. O dano em transporte, trabalho de manutenção e perda e dano devido a trabalho de manutenção incorreto não estão cobertos pela garantia. Para qualquer reclamação ao abrigo da garantia, deve apresentar-se prova de compra da ferramenta, mediante a apresentação do recibo original. Sempre que legalmente possível, excluimos toda a responsabilidade por ferimento, dano ou perda consequential, especialmente se a ferramenta tiver sido usada para uma finalidade diferente da que é referida no manual de operações, colocada em funcionamento ou reparada em não conformidade com o nosso manual de operações ou se forem realizadas reparações por alguém sem qualificação. Reservamo-nos o direito de realizar quaisquer reparações para além das referidas no nosso manual de operações. Em caso de garantia ou reparação,

consulte o seu ponto de venda. Esta garantia não afeta os seus direitos estatutários.

INFORMAÇÃO SOBRE A ELIMINAÇÃO DE EQUIPAMENTO ELÉTRICO E ELETRÓNICO



O aparelho, bem como os respetivos acessórios e embalagem deverão ser reencaminhados para reciclagem. Não elimine o aparelho através do lixo doméstico. Proteja o ambiente e deposite o seu aparelho num ponto de recolha selectiva local ou informe-se no comércio especializado.

Declaração de Conformidade UE

Pela presente garantimos, sob a nossa exclusiva responsabilidade, que este produto cumpre com as correspondentes disposições: 2014/35/UE, 2014/30/UE, 2011/65/UE, 2012/19/UE

Normas harmonizadas aplicadas:
EN 60335-1, EN 60335-2-45, EN 55014-1, EN 55014-2,
EN 61000-3-2, EN 61000-3-3, EN 62233

A Declaração de Conformidade EU é fornecida juntamente com o produto. Se necessário, pode ser pedido novo exemplar desta declaração com o número de encomenda **2389336**.



Vigtige sikkerhedsoplysninger • Læs alle sikkerhedsoplysninger, inden udstyret anvendes. Gem denne vejledning

For at reducere risikoen for brand eller eksplosion, elektrisk stød og personskader, skal alle anvisninger i denne betjeningsvejledning læses og forstås. Du skal kende betjeningselementerne og deres korrekte brug.



Angiver en farlig situation, der, hvis den ikke undgås, kan medføre død eller alvorlige personskader.

FARE: GIFT

Der skal udvises ekstrem omhu, når malingen fjernes. Afskallet maling, rester og dampe fra maling kan indeholde bly, der er giftigt. Al maling, der er påført huse før 1950, indeholder sandsynligvis bly. Al maling, der er produceret før 1977, kan indeholde bly. Når malingen er påført overflader, kan hånd-til-mundkontakt medføre indtagelse af bly. Eksponering for selv lave niveauer af bly kan forårsage uoprettelige skader på hjerne og nervesystem. Unge og ufødte er særligt sårbare over for blyforgiftning.

Inden fjernelse af maling påbegyndes, skal du finde ud af, om den maling, du vil fjerne, indeholder bly. Det kan udføres af dine lokale sundhedsmyndigheder eller af en fagperson, der benytter en malingsanalysator til at kontrollere blyindholdet i den maling, der skal fjernes. Blybaseret maling må kun fjernes af en fagperson, og den må ikke fjernes med en varmepistol.

FOREBYGGELSE:

Tag arbejdsemnet udenfor, men beskyttet mod regn. Hvis dette ikke er muligt, skal arbejdsområdet holdes godt ventileret. Åbn vinduerne og anbring en udsugningsventilator i et af dem. Sørg for, at ventilatoren bevæger luften indefra og ud.

- Fjern eller tildæk tæpper, måtter, møbler, beklædning, køkkengrej og luftkanaler.

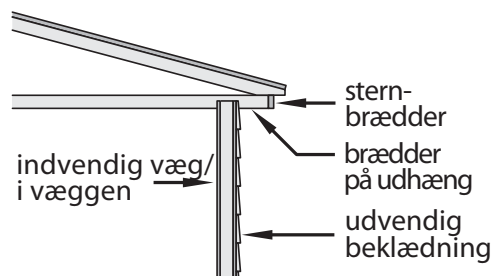
- Anbring afdækningsfolie i arbejdsområdet til opsamling af malingsrester eller afskallet maling. Bær beskyttelsesbeklædning som f.eks. en ekstra arbejdsskjorte, overall og en hat.
- Tag et rum ad gangen. Møbler skal flyttes eller anbringes i midten af rummet og tildækkes. Arbejdsområder skal forsegles fra resten af hjemmet ved at forsegle dørkarme med afdækningsfolie.
- Bær et godkendt åndedrætsværn med støvfilter eller et åndedrætsværn med to filtre til støv og dampe. Disse masker og udskiftelige filtre kan fås i større byggemarkeder. Sørg for, at masken slutter godt til. Skæg og ansigtshår kan hindre masken i at slutte helt til. Skift filtrene tit. Engangsmasker af papir er ikke egnede.
- Vær forsigtig, når der arbejdes med varmepistol. Hold varmepistolen i bevægelse, da for stor varme vil generere dampe, som brugeren kan indånde.
- Hold mad og drikkevarer uden for arbejdsområdet. Vask hænder, arme og ansigt, og skyl munden, inden der spises eller drikkes. Undlad at ryge eller tygge tyggegummi eller tobak i arbejdsområdet.
- Fjern al fjernet maling og støv ved at vådmoppe gulvene. Brug en våd klud til rengøring af alle vægge, vindueskarme og alle andre overflader, hvor støv fra malingen kan sætte sig fast. Undlad at feje, støve af med en tør klud eller støvsuge. Anvend et rengøringsmiddel med højt fosfatindhold (trinatriumfosfat) til at vaske og moppe områder.
- Ved afslutningen af hver arbejds-session skal afskallet maling og rester kommes i en dobbelt plastiksæk, der lukkes med tape eller poselukker og bortskaffes på korrekt vis.
- Tag beskyttelsesbeklædningen og arbejdsskoene af i arbejdsområdet for at undgå at bære støv med ind i den øvrige del af bygningen. Vask arbejdstøjet separat. Tør skoene af med en våd klud og vask derefter kluden sammen med arbejdstøjet. Vask omhyggeligt hår og krop med sæbe og vand.

FARE: EKSPLOSION ELLER BRAND

Denne varmepistol udvikler meget høje temperaturer (helt op til 600 °C). Den skal anvendes med forsigtighed for at forhindre brændbart materiale i at antænde.

FOREBYGGELSE:

- Hold varmepistolen i konstant bevægelse. Stop ikke og bliv ikke for længe på samme sted.
- Vær meget forsigtig, hvis den anden side af det materiale, der skal skrubes af, er utilgængelig som f.eks. udvendig beklædning af huset. Den skjulte side kan blive antændt, hvis den bliver for varm. Nogle bygninger indeholder meget brændbare materialer bag den udvendige beklædning, gulve, sternbrædder, brædder på udhæng og anden beklædning. Kontroller disse områder, inden de udsættes for varme, og benyt ikke et varmeværktøj, hvis der forefindes brændbare materialer, eller hvis du er i tvivl om det skjulte materiale.
- Anvend ikke varmepistolen i nærheden af overflader med revner eller i nærheden af metalrør eller inddækninger. Varmen kan ledes bag arbejdsoverfladen og antænde skjulte materialer. Det opdages måske ikke straks, at skjulte materialer er blevet antændt, og det kan medføre materielle skader og personskader.
- Benyt ikke elektrisk værktøj i nærheden af brændbare væsker eller gasser.
- Benyt ikke værktøjet i nærheden af brændbare materialer som tørt græs, blade og papir, der kan blive svedne og antænde.
- Dysen bliver meget varm. Læg ikke varmepistolen på brændbare overflader, når pistolen anvendes, eller umiddelbart efter at den er blevet slukket. Anbring altid pistolen på en flad, plan overflade, således at dysen vender opad og væk fra den understøttende overflade.
- Berør ikke dysen, før værktøjet er kølet af.
- Benyt ikke varmepistolen som hårtørrer.
- Værktøj og rester af maling bliver meget varme. For at undgå forbrændinger skal der bæres handsker og øjenbeskyttelse under afskrabningen.
- Behandl altid varmepistolen med samme respekt som åben ild.



- Anvend ikke i eksplosive omgivelser

FARE: ELEKTRISK

Kan forårsage skader på ejendom, alvorlige personskader eller døden.

FOREBYGGELSE:

- Varmepistolen må ikke adskilles.
- Arbejd ikke i våde områder og udsæt ikke varmepistolen for regn eller fugt.
- Beskyt mod elektrisk stød ved at forhindre kropskontakt med jordede overflader som f.eks. rør, radiatorer, komfurer, aluminiumstiger eller andre jordede enheder.
- Misbrug aldrig ledningen. Bær aldrig varmepistolen i ledningen og træk aldrig i ledningen for at afbryde den fra strømforsyningen. Hold ledningen på afstand af varme, olie og skarpe kanter. Kontroller regelmæssigt ledningen for slid eller skader.
- Hvis en forlængerledning bliver beskadiget, eller hvis den på anden vis er uegnet til brug, skal den udskiftes med en ny forlængerledning.

FARE: GENERELT

Kan forårsage materielle skader eller alvorlige kvæstelser.

FOREBYGGELSE:

- Afbryd altid varmepistolen fra strømforsyningen, når den ikke anvendes. Opbevar den indendørs på et tørt sted og uden for rækkevidde af børn uden opsyn.
- Hold dit arbejdsområde godt belyst og rent.
- Læn dig ikke for langt frem eller til siden, især når du arbejder på stiger. Hav til enhver tid godt fodfæste og en god balance. Sørg for, at de anvendte stiger er solide, stabile, står på fast underlag, og at de står i en sikker vinkel.
- Undgå strømledninger.
- Fastgør bevægelige genstande sikkert og stabilt under afskrabningen.
- Benyt altid øjenbeskyttelse under arbejdet.
- Vær opmærksom og brug almindelig sund fornuft ved anvendelsen af værktøj.
- Benyt aldrig varmepistolen til at optø frosne rør i vægge eller i nærheden af brændsel. Brug altid reflektordyse (nr. 2366225) til optøning af frosne rør.
- Efterlad aldrig varmepistolen uden opsyn, når den er tændt.
- Dette apparat må anvendes af børn, der er over 8 år og derover,

samt af personer med reducerede fysiske, sensoriske eller mentale evner eller manglende erfaring og viden, hvis de er under opsyn og har fået instruktion i sikker brug af apparatet og forstår de risici, der er forbundet med anvendelsen af apparatet. Børn må ikke lege med apparatet.

- Sørg for, at apparatet og dets ledning er uden for børns rækkevidde.

NETTILSLUTNING

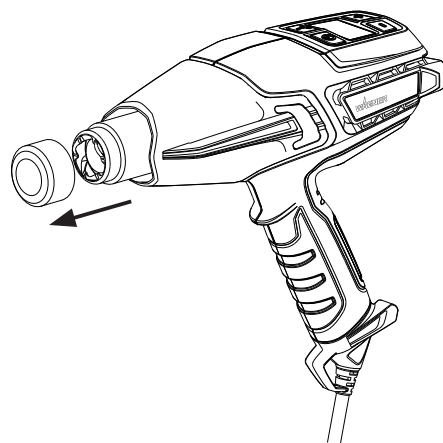
Denne varmepistol er forsynet med et ledningssæt. Hvis ledningen er beskadiget, skal den udskiftes med en ny ledning for at undgå sikkerhedsrisici. Kontakt Wagners kundeservice vedrørende en ny ledning.

KONTAKT EN UDDANNET ELEKTRIKER I TILFÆLDE AF TVIVL.

ADVARSEL - Benyt en forlængerledning, der passer til stikket på produktet. Sørg for, at din forlængerledning er i orden. Når der anvendes en forlængerledning, skal man sikre sig, at den kan klare den strøm, dit produkt anvender. En ledning med for lille kapacitet vil forårsage et fald i netspændingen, hvilket medfører manglende effekt og overophedning. En harmoniseret H05RR-F 3 x 1.0sq mm ledning af gummitypen kræves som minimum til almindelig brug.

Beskyttelsesdæksel

ADVARSEL - Fjern plastikdækslet og kasser det, inden du benytter din varmepistol.



Anvendelse af varmepistolen

Generel beskrivelse

Denne varmepistol er et elektrisk kvalitetsværktøj. Som ethvert elektrisk værktøj kan den være farlig, hvis den ikke anvendes korrekt. Læs omhyggeligt følgende anvisninger og følg alle sikkerhedsforholdsregler. Det er ejerens ansvar at anvende varmepistolen korrekt.

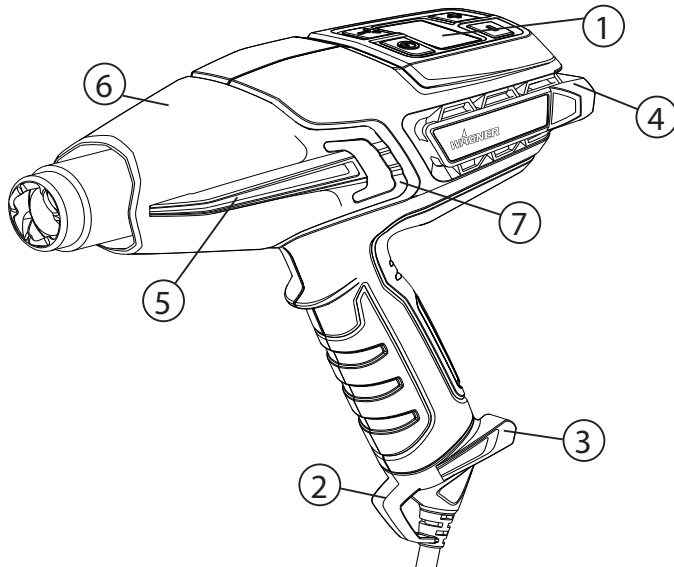
Specifikationer

Hus	Korrosions- og varmebestandige polymerer med stor slagstyrke
Wattforbrug	2000 Watt på HØJ, 150 Watt på LAV
Spænding	220 - 240 V a.c.
Frekvens	50 - 60 Hz
Varmeydelse	Ca. 600 °C på HØJ, ca. 60 °C på LAV
Vægt	0.9 kg

Oversigt fig. 1

- 1) Betjeningspanel - temperatur og blæserhastighed
- 2) Krog til ophængning
- 3) Ledningsæt med integreret fod (kan fjernes sammen med værktøjet)
- 4) Fod bagpå (opretstående position)
- 5) Sidevinger der forhindrer dysen i at berøre overfladen
- 6) Dysens varmeskjold

Fig. 1



Afmontering af husets dæksel

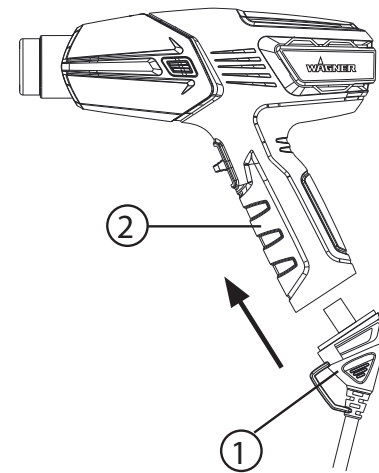
Husets dæksel kan afmonteres, når der arbejdes på steder, der er vanskeligt tilgængelige. **VÆR FORSIGTIG MED DYSEN.** Der er øget risiko for forbrændinger, hvis der arbejdes, uden at husets dæksel er sat på. Husets dæksel fjernes ved at løfte tappet over det hævede område med en lille fladhovedet skruetrækker (fig. 1, 7).

Montering und afmontering af kablesættet

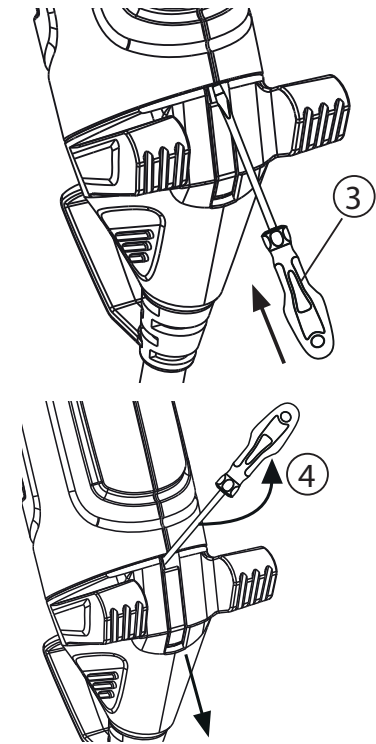
Kablesættet (fig. 2, 1) til varmpistolen leveres afmonteret fra pistolen (fig. 2, 2). Det fastgøres ved at anbringe ledningen parallelt med stikket på pistolens greb og presse fast sammen, indtil du hører et klik. Det er ikke nødvendigt at fjerne kablesættet. Hvis kablesættet skal afmonteres, før en lille skruetrækker (Ill. 2, 3) eller et lignende værktøj ind i hullet, se illustration. Brug skruetrækkeren som løftestang, og tryk den opad (4) i retning mod håndtaget for at løsne kablesættet. Træk kablesættet væk fra pistolen med en fast bevægelse.

Fig 2

Montering



Afmontering



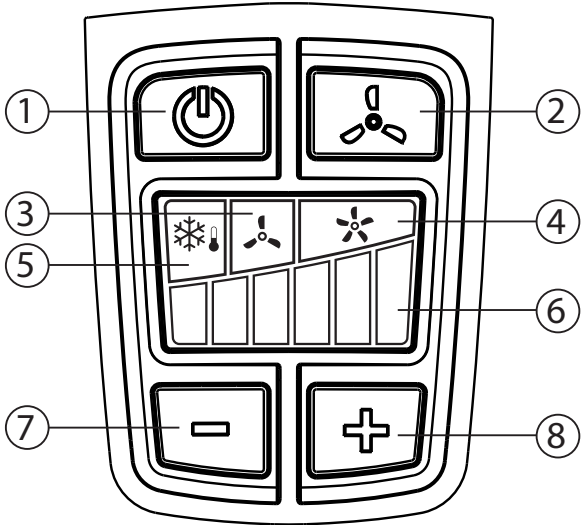
Betjeningspanelets berøringstastatur

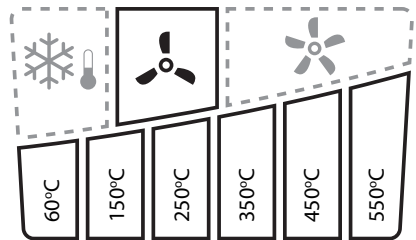
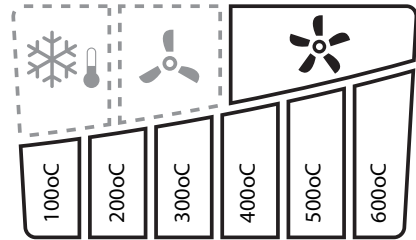
På varmepistolen kan du vælge i et stort temperaturområde, afhængigt af projektets type. Temperaturen kan reguleres på betjeningspanelet.

Temperaturskema LED-display

Beskrivelse fig. 3	
1) Tænd-/slukknop: Tænder og slukker for varmepistolen eller sætter varmeværktøjet i afkølingstilstand	2) Valg af tilstand: Indstiller det temperaturområde og den luftstrøms hastighed, du har brug for
3) Indikator for tilstand: Svag luftstrøm / lavt temperaturområde (se fig. 4, a)	4) Indikator for tilstand: Kraftig luftstrøm / højt temperaturområde (se fig. 4, b)
5) Indikator for tilstand: Afkøling	6) Temperaturindikator: Viser den aktuelle varmeindstilling (se fig. 4)
7) Temperaturvælger: Reducerer temperaturen (-)	8) Temperaturvælger: Øger temperaturen (+)

Fig. 3

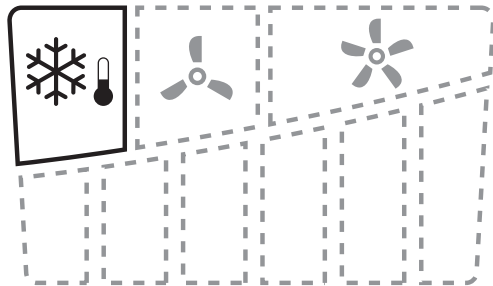


Beskrivelse fig. 4a & 4b	
Luftstrømmens indstilling: LAV Temperaturområde: 60 °C - 550 °C Cyklustemperaturer: Se fig. 3, (7 og 8) _____ = belyst - - - - - = ikke belyst	Luftstrømmens indstilling: HØJ Temperaturområde: 100 °C - 600 °C Cyklustemperaturer: Se fig. 3, (7 og 8) _____ = belyst - - - - - = ikke belyst
Fig. 4a	Fig. 4b
	

Afkølingstilstand

Tryk på tænd-/slukknappen i hvileperioder, eller når du er færdig med dit projekt, for at gå i afkølingstilstand (fig. 5). Den blå afkølingsindikator tændes, og pistolen vil fortsat køre med elementet deaktiveret for at køle af.

Fig. 5

**Start**

Læs altid sikkerhedsoplysningerne i denne betjeningsvejledning, inden varmepistolen anvendes.

1. Sæt varmepistolens stik i en standardstikdåse.
2. Tænd for varmepistolen ved at trykke på tænd-/slukknappen på betjeningspanelet (fig. 3, 1). Når der tændes for varmepistolen, er den automatisk indstillet til lavt temperaturområde (fig. 4, a) ved 60 °C og en svag luftstrøm.
3. Hvis du fortsat ønsker at arbejde i det lave temperaturområde, skal du bare trykke på plus- eller minusknappen på berøringstastaturet, indtil din ønskede temperaturindstilling er valgt. Denne vil blive vist ved, at temperaturbjælkerne lyser.
4. Hvis du ønsker at arbejde i det høje temperaturområde og med en kraftig luftstrøm, skal du trykke en gang på knappen til valg af tilstand (fig. 3, 2). Indikatoren for det høje temperaturområde tændes. Du kan nu bare trykke på plus- eller minusknappen på betjeningspanelet, indtil du når den ønskede temperaturindstilling. Dette vil blive vist ved, at temperaturbjælken lyser.

VIGTIGT: Hvis blæsermotoren i varmepistolen ikke starter, når der trykkes på tænd-/slukknappen, skal der straks slukkes på kontakten. Varmeelementet vil brænde ud, hvis det ikke afkøles af blæseren.

5. Tryk på tænd-/slukknappen i hvileperioder, eller når du er

færdig med dit projekt, for at gå i afkølingstilstand (fig. 5). Den blå afkølingsindikator tændes, og pistolen vil fortsat køre med elementet deaktiveret for at køle af.

6. Sæt pistolen fra dig i opretstående position. Varmepistolen lukker selv ned efter 3 minutter.
7. Afkølingstilstanden kan omgås ved at trykke på tænd-/slukknappen og holde den inde i 2-3 sekunder. Pistolen vil slukke umiddelbart.



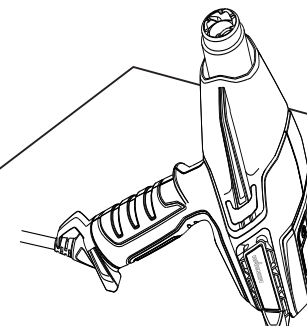
VIGTIGT: Efter afkølingen vil varmepistolens hus stadig være varmt.

Bemærk: Der kan optræde røg ved første opstart som følge af, at produktionsolierne afbrændes. Røgen skal forsvinde kort efter start.

Håndfri betjening, fig. 6

Varmepistolen har en integreret fod (fig. 1, 4), så den kan anvendes på bordplader, og når den skal afkøles. Alternativt er varmepistolens transportkasse (fig. 7) konstrueret således, at varmepistolen kan anbringes deri i opretstående position ved arbejde på ujævne overflader.

Fig. 6



AngleLoc (transportkasse)* Fig. 7a & 7b

A: Anbring bagsiden af varmepistolen således, at fodens vinger glider ned under fremspringene i sidevæggen af hulrummet foroven i transportkassen.

B: Skub derefter varmepistolen fremad, så den låser naturligt på plads i en vinkel på 135 grader. Varmepistolen kan nu anvendes sikkert i opretstående position.

Fig. 7a

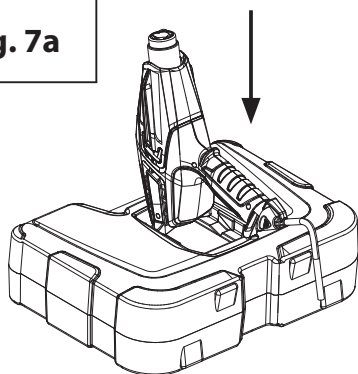
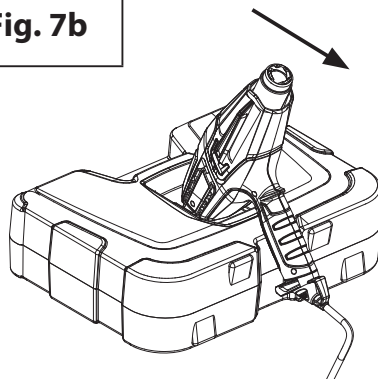


Fig. 7b



*AngleLoc-transportkassen kan købes separat. Se side 101

VIGTIGT: Hvis den motordrevne blæser i varmepistolen ikke tændes, når kontakten sættes på LAV eller HØJ, skal der straks slukkes på kontakten. Varmeelementet vil brænde ud, hvis det ikke afkøles af den motordrevne blæser.

Bemærk: Anbring altid varmepistolen i opretstående position, når den er slukket, enten til en kort pause eller til opbevaring. Undgå at anbringe apparatet på siden efter slukning. Varmen vil forblive i apparatet, og afkølingen vil tage længere tid. Læg først apparatet til opbevaring, når dysen er kold. Tag apparatets stik ud inden opbevaring for at forhindre utilsigtet start.

VIGTIGT: Beskyt altid glas, når der arbejdes i nærheden af vinduer.



Berør ikke dysen eller andet værktøj, der anvendes under arbejdet. Dyse og værktøj bliver meget varmt og vil forårsage alvorlige forbrændinger. Bær handsker for at beskytte hænderne mod varme malingsrester.

Mange variabler påvirker varmeanvendelsen som f.eks. det materiale, der skal opvarmes, den omgivende temperatur, afstanden fra pistolen til substratet og varmeteknikken. Derfor har Wagner givet temperaturretningslinjer for visse opgaver. Start altid varmepistolen ved den laveste temperatur i området, og øg derefter temperaturen, indtil den optimale temperatur er nået. Hold altid varmepistolen i bevægelse og mindst 5 cm fra det substrat, hvor der påføres varme.

Varmepistolen FURNO 500 er et af de mest alsidige værktøjer, du kan have. Den kan anvendes til mange forskellige projekter, fra store gør-det-selv-projekter til små håndværksprojekter. Du kan se yderligere oplysninger om flere projekter og videoer med anvisninger på vores hjemmeside www.wagner-group.com.

Anvendelse		Varme	Dysespidser
Gør-det-selv	Fjernelse af maling	HØJ	Reduktionsdyse eller bred
	Reparation af væg	LAV	Åben (ingen spids)
	Tørring af maling	LAV	Åben (ingen spids)
	Blødgør klæbestoffer ved fjernelse af fliser	LAV	Bred reduktionsdyse
	Bøjning af plastik, pleksiglas, laminatplader	LAV/HØJ	Reflektordyse
	Fjerner laminatplader og linoleum	LAV	Bred reduktionsdyse
	Blødgør maling, tætninger og kit, så det er lettere at fjerne	HØJ	Reduktionsdyse eller bred reduktionsdyse
	Til fjernelse af lak	LAV-MED	Bred reduktionsdyse
	Til krympning af plastikfolie eller isolering	LAV	Bred reduktionsdyse
	Små opgaver (inklusive reparationer)	Løsne rustede møtrikker, bolte og forskruninger	HØJ
Reparation af jeans		LAV	Bred reduktionsdyse
Svidning af ukrudt		HØJ	Reduktionsdyse
Fjernelse af klæbemidler		LAV	Åben (ingen spids)
Voksbehandling af ski/snowboard		LAV	Bred reduktionsdyse
Glasfiberarbejde		HØJ	Reduktionsdyse eller bred
Optøning af rør og låse		LAV	Reflektordyse

Anvendelse		Varme	Dysespidser
	Optænding af grill	HØJ	Reduktionsdyse/grilldyse
	Varmekrympning af rør/konnektorer	LAV-MED	Reflektordyse
	Opvarmning af cement inden lapning	LAV/HØJ	Reduktionsdyse
	Afrimning af køleskab/fryser	LAV	Åben (ingen spids)
	Håndarbejde/brugskunst	Fremstilling af lys	LAV
Fremstilling af sæbe		LAV	Åben (ingen spids)
Krympefolieindpakning af gaver		LAV	Åben (ingen spids)
Formning af skum		LAV	Åben (ingen spids)
Kagedekoration		LAV/HØJ	Åben (ingen spids)
Bil	Aftagning af klistermærker, emblemer og mærkater	LAV	Åben (ingen spids)
	Udretning af buler	HØJ	Åben (ingen spids)
	Fjernelse af maling	HØJ	Reduktionsdyse eller bred
	Påføring og fjernelse af toning af vinduer	LAV	Åben (ingen spids)
	Reparation af kofangere	HØJ	Åben (ingen spids)
	Elektronik	Reparation af smartphone og tablet	LAV
Reparation af PlayStation og Xbox		LAV	Reduktionsdyse

Fjernelse af maling

Varmepistolen opvarmer overfladen og blødgør malingen, hvorefter den let kan skrubes af uden at beskadige overfladen. Nogle malinger kan blive bløde, uden at de danner blærer. Nogle kan blive gummiagtige, og nogle kan kræve højere varme.

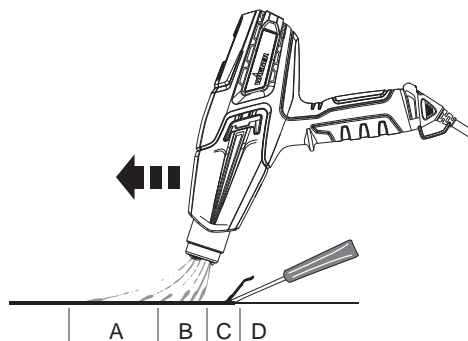
Når der arbejdes med flere lag maling, kan afskrabningsprocessen accelereres, hvis overfladen opvarmes hele vejen igennem lige til træet. derefter kan alle lagene skrubes af på en gang.

En blød metalbørste kan være det bedste værktøj til vanskelige overflader. Mineralsk maling og lak som f.eks. cementmaling og porcelæn blødgøres ikke med varme. Det har derfor ingen virkning at anvende en varmepistol på sådanne overflader til fjernelse af maling.

Den bedste metode til fjernelse af maling

Bevæg varmepistolen langsomt og jævnt fremad i en vinkel på overfladen, således at dysen vender i bevægelsens retning. På den måde kan du skrabe sikkert uden for den varme luftstrøm, og skraberen samt den skrabeede overflade holdes køligere.

- A. Varm luft foropvarmer overfladen.
- B. Malingen blødgøres af den varme luft.
- A + B. Varmen trænger dybt ned i hele området.
- C. Malingen kan let skrubes af, så snart den er blødgjort, og pistolen flyttes fremad.
- D. Lad den bearbejdede overflade køle af.



Bemærk: Anvend ikke varmepistolen på overflader, der kan blive beskadiget af varme, som f.eks. vinylbeklædte paneler, vinylbeklædt vægbeklædning eller vinylbeklædte vindueskarmer.

Varmepistolen blødgør kittet, når der fjernes maling fra vinduesrammer. Sørg for ikke at udhule kittet med skraberen. Kittet vil stivne, når det afkøles.

Anvend ikke varmepistolen på isoleret, lamineret vinduesglas som f.eks. termoruder. Når glassets kanter udvides, kan kantforseglingen blive ødelagt.

Når der skrubes på sternbrædder, skal man sørge for ikke at overophede kanterne af asfaltshingles, der rager ud over kanten af yderbeklædningen. For høj varme vil smelte asfalten.

VIGTIGT: Det er sikkert at fjerne maling med en varmepistol, hvis ovenstående retningslinjer følges, men hav altid en spand vand eller en ABC-brandslukker (egnet til brande i klasse A, B og C) inden for rækkevidde.

Rengøring og vedligeholdelse

Hold indsugningsåbningerne på huset rene og frie for forhindringer. Rengør regelmæssigt åbningerne med en blød, tør børste. Rengør kun varmepistolen med en mild sæbe og en fugtig klud. Mange husholdningsrengøringsmidler indholder kemikalier, der kan forårsage alvorlige skader på huset.

Anvend ikke petroleum, terpentiner, lak- eller malingsfortynder, væsker til kemisk rensning eller lignende produkter til rengøring af varmepistolen.

Der må **ALDRIG** komme væske ind i værktøjet, og ingen del af værktøjet må dyppes i væske.

Rengøring og vedligeholdelse må ikke udføres af børn.

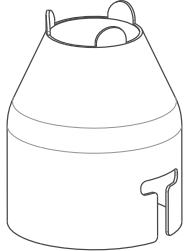
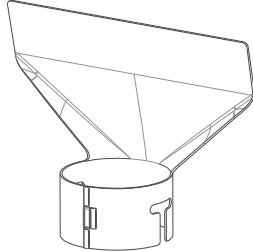
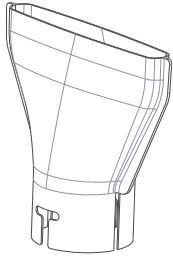
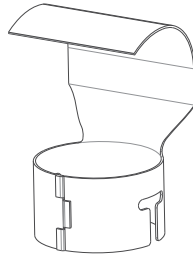
Opbevaring

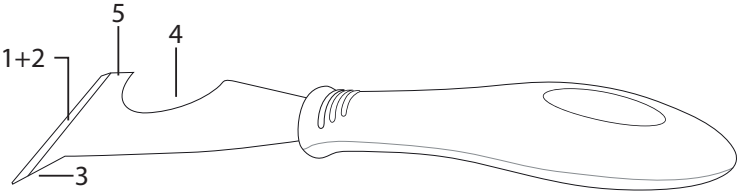
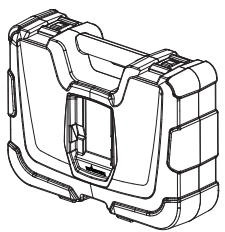
Lad varmepistolens dyse køle af til stuetemperatur, inden den sættes til opbevaring.

Dysen bliver mørk med tiden som følge af den høje varme. Dette er normalt, og det påvirker ikke apparatets ydelse eller levetid.

Tilbehør

Følgende tilbehør kan følge med varmpistolen, eller det kan købes separat på www.wagner-group.com/service. Alternativt kan du finde dit nærmeste servicecenter bag på betjeningsvejledningen.

Navn	Beskrivelse	Navn	Beskrivelse
Reduktionsdyse Nr. 2366222 	Leder en koncentreret varmestrøm til arbejdsfladen. Ideel til fjernelse af maling i vanskelige hjørner, sprækker, kantprofiler, pyntelister eller karme.	Glasbeskyttelsesdyse P/N2366224 	Leder varmen væk fra glas eller andre skrøbelige områder. Ideel til vindueskarme, sålbænke, rammer eller fodlister.
Bred reduktionsdyse P/N2366223 	Leder et langt, smalt varmemønster til arbejdsoverfladen. Ideel til fjernelse af maling eller fernis fra store, flade overflader som f.eks. fodpaneler, døre, trapper osv. Den skal anvendes sammen med en flad skraber.	Reflektordyse P/N2366225 	Fordeler varmestrømmen jævnt på hele arbejdsområdet. Ideel til optøning af frosne rør, lodning af rør, bukning af plastik eller varmekrympning af elektriske isoleringsrør.

Navn	Beskrivelse
 <p>5-i-1 skrabeværktøj med detaljer Nr. 2366227</p>	<p>Værktøjet har 5 funktioner. Bladet (1) anvendes til at skrabe maling og sprede masser (2). Spidsen (3) bruges til at fjerne kit/tætninger fra åbne revner. Det buede område (4) bruges til at rengøre rulledeksler. Den flade side (5) kan bruges til at åbne malingsbøtter.</p>
 <p>Transportkasse P/N2366226</p>	<p>Varmepistolens transportkasse med AngleLoc er konstrueret således, at varmpistolens kan anbringes deri i opretstående position ved arbejde på ujævne overflader.</p>

VIGTIGT: Bær altid handsker ved håndteringen af varmpistolens.

Sådan fastgøres ekstraudstyr på varmpistolens:

1. Anbring varmpistolens opretstående på en plan overflade og vent, indtil spidsen er kold.
2. Anbring tilbehøret på varmpistolens spids og skub det fast på plads med hånden.

Sådan fjernes ekstraudstyr fra varmpistolens:

1. Anbring varmpistolens opretstående på en plan overflade og vent, indtil spidsen er kold.
2. Træk tilbehøret af spidsen.

Produktregistrering

Registrer dit produkt online på www.wagner-group.com/3plus1 for at få din ekstra 1 års garanti.

3+1 års garanti

Garantien gælder i tre år fra købsdatoen (kvittering). Garantien forlænges med yderligere 12 måneder, hvis apparatet registreres online inden for 4 uger efter købet på www.wagner-group.com/3plus1. En registrering er kun mulig, hvis køber erklærer sig indforstået med, at de data, vedkommende har indtastet under registreringen, gemmes. Garantien omfatter og er begrænset til gratis afhjælpning af fejl, der bevisligt kan henvises til anvendelsen af defekte materialer i produktionen eller fejl ved samlingen eller gratis udskiftning af defekte dele. Garantien dækker ikke ukorrekt brug eller ibrugtagning eller montering eller reparationsarbejde, der ikke er angivet i vores betjeningsvejledning. Sliddele er også undtaget fra garantien. Garantien gælder ikke for erhvervs-mæssig anvendelse. Vi forbeholder os udtrykkeligt ret til at opfylde garantien. Garantien udløber, hvis værktøjet åbnes af andre end Wagners servicepersonale. Transportskader, vedligeholdelsesarbejde samt tab og skader som følge af forkert vedligeholdelsesarbejde er ikke omfattet af garantien. Ved ethvert krav på garanti skal der fremlægges bevis for købet af værktøjet i form af den originale kvittering. Hvor det er lovmæssigt muligt, udelukker vi ethvert ansvar for personskader, materielle skader eller efterfølgende tab, især hvis værktøjet har været anvendt til andet formål end det i betjeningsvejledningen angivne, hvis værktøjet har været taget i brug eller repareret på anden vis end angivet i vores betjeningsvejledning, eller hvis reparationer er blevet udført af ukvalificerede personer. Vi forbeholder os ret til at udføre eventuelle reparationer ud over dem, der er angivet i vores betjeningsvejledning. Henvend dig til det sted, hvor du har købt pistolen, hvis du ønsker at gøre krav gældende i henhold til garantien, eller hvis du ønsker

værktøjet repareret. Denne garanti påvirker ikke dine lovfæstede rettigheder.

OPLYSNINGER OM BORTSKAFFELSE AF ELEKTRISK AFFALD OG ELEKTRONISK Udstyr KENDT SOM WEEE



Elektrisk og elektronisk udstyr er mærket med nedenstående overkrydsede skraldespand. Den symboliserer, at elektrisk og elektronisk udstyr ikke må bortskaffes sammen med usorteret husholdningsaffald, men skal indsamles særskilt. Alle kommuner har etableret indsamlingsordninger, hvor elektrisk og elektronisk udstyr gratis kan afleveres af borgerne på genbrugsstationer og andre indsamlingssteder eller bliver afhentet direkte fra husholdningerne. Nærmere information kan fås hos kommunens tekniske forvaltning. Malingsrester og opløsningsmidler må ikke hældes i afløbet, kloaksystemet eller husholdningsaffaldet. Disse skal bortskaffes separat som særligt affald. Følg i denne forbindelse anvisningerne på produktets emballage.

EU Overensstemmelseserklæring

Vi erklærer under almindeligt ansvar, at dette produkt er i overensstemmelse med følgende bestemmelser: 2014/35/EU, 2014/30/EU, 2011/65/EU, 2012/19/EU

Anvendte harmoniserede normer:
EN 60335-1, EN 60335-2-45, EN 55014-1, EN 55014-2,
EN 61000-3-2, EN 61000-3-3, EN 62233

EU Overensstemmelseserklæringen er vedlagt produktet. Om nødvendigt kan den efterbestilles med bestillingsnummer **2389336**.



Viktig säkerhetsinformation • Läs all säkerhetsinformation innan du använder utrustningen. Spara dessa instruktioner

Läs och förstå alla instruktioner i denna manual för att minska risken för brand eller explosion, elstöt och personskador. Bekanta dig med reglagen och korrekt användning av utrustningen.



Indikerar en farlig situation som, om den inte undviks kan leda till dödsfall eller allvarlig personskada.

FARA: GIFT

Var mycket försiktig vid borttagning av färg. Flagorna, resterna och ångorna från färgen kan innehålla bly, vilket är giftigt. All färg som applicerats i hem före 1950 innehåller troligtvis bly. All färg som tillverkats före 1977 kan innehålla bly. När färgen har deponerats på ytor kan kontakt mellan hand och mun leda till intag av bly. Även exponering för låga nivåer av bly kan orsaka bestående skador på hjärna och nervsystem. Unga och ofödda barn är särskilt känsliga för blyförgiftning.

Innan du påbörjar arbetet med att ta bort färg ska du avgöra om färgen som du ska ta bort innehåller bly. Detta kan utföras av den lokala hälsovårdsmyndigheten eller av en yrkesman som använder en färganalysator för att kontrollera blyinnehållet i färgen som ska tas bort. Blybaserad färg får endast tas bort av en yrkesman och får inte tas bort med hjälp av varmluftspistol.

FÖRHINDRAS GENOM:

Flytta ut arbetsstycket utomhus, skyddat mot regn. Om detta inte är möjligt, se till att arbetsområdet är välventilerat. Öppna fönstren och ställ en utsugningsfläkt i ett av dem. Se till att fläkten suger ut luften inifrån och ut.

- Ta bort eller täck över mattor, möbler, kläder, köksredskap och ventilationskanaler.
- Placera dropptrasor i arbetsområdet för att samla upp färgflagor.

Använd skyddskläder som exempelvis extra arbetströjor, overaller och hjälmar.

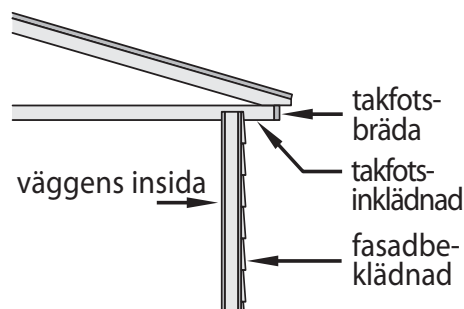
- Arbeta i ett rum åt gången. Möbler ska tas bort eller placeras i mitt i rummet och täckas över. Arbetsområden ska tätas av från resten av bostaden genom att hänga skyddsdraperier för dörröppningarna.
- Använd en godkänd dammandningsmask eller en andningsmask med dubbelt filter för damm och ångor. Dessa masker och utbytbara filter finns att köpa i större byggvarubutiker. Kontrollera att masken passar ordentligt. Skägg och ansiktshår kan förhindra masken från att sluta tätt. Byt filter ofta. Engångs pappersmask är inte tillräckliga.
- Var försiktig när du använder varmluftspistolen. Håll varmluftspistolen i rörelse eftersom överflödigt värme alstrar ångor som kan inandas av användaren.
- Håll mat och dryck utanför arbetsområdet. Tvätta händer, armar och ansikte och skölj munnen innan du äter eller dricker. Rök inte och tugga inte tuggummi eller tobak i arbetsområdet.
- Städa upp all borttagen färg och allt damm genom att tvätta golvet med en våt mopp. Använd en våt trasa för att rengöra alla väggar, trösklar och andra ytor där färgdammet har fastnat. Sopa inte och dammsug inte upp torrt damm. Använd rengöringsmedel med högt fosfatinnehåll (trisodiumfosfat - TSP) för att tvätta och moppa av områdena.
- Vid slutet av varje arbetspass ska färgflagor och smuts samlas upp i dubbla plastpåsar, stängas igen med tejp eller knyts samman och avfallshanteras på korrekt sätt.
- Ta av skyddskläder och arbetskor i arbetsområdet för att förhindra att damm tas med till resten av byggnaden. Tvätta arbetskläderna separat. Torka av skorna med en våt trasa och tvätta den sedan tillsammans med arbetskläderna. Tvätta hår och kropp noga med tvål och vatten.

FARA: EXPLOSION ELLER BRAND

Varmluftspistolen alstrar extremt höga temperaturer (upp till 600 °C). Den måste användas med försiktighet för att förhindra att antändbart material antänds.

FÖRHINDRAS GENOM:

- Håll varmluftspistolen konstant i rörelse. Stoppa inte och dröj inte kvar på en plats.
- Var extremt försiktig om den andra sidan av materialet som skrapas är oåtkomlig, till exempel husfasader. Den dolda sidan kan fatta eld om den blir för het. Vissa byggnader kan innehålla antändliga material bakom fasadväggarna, golven, paneler, valvbrädor och andra paneler. Kontrollera dessa områden innan de värms upp och använd inte ett värmeverktyg om antändliga material finns närvarande eller om du är osäker på det dolda materialet.
- Använd inte i närheten av ytor med sprickor eller nära metallrör eller plåt. Värme kan ledas bakom arbetsytan och antända dolt material. Antändning av dolt material kanske inte är enkelt att se och kan leda till skada på egendom och personskador.
- Använd inte elverktyg i närheten av antändliga vätskor eller gaser.
- Använd inte i närheten av antändliga material, till exempel torrt gräs, löv och papper som kan svedas och fatta eld.
- Munstycket blir mycket varmt. Lägg inte varmluftspistolen på antändliga ytor när den används eller direkt efter att den stängts av. Placera alltid varmluftspistolen på en plan, jämn yta så att munstyckets spets är riktad uppåt och bort från stödytan.
- Rör inte vid munstycket förrän verktyget har svalnat.
- Använd inte varmluftspistolen som hårtork.
- Verktyg och färgskrap blir mycket varmt. Använd arbetshandskar och ögonskydd när du skrapar bort färg för att undvika brännskador.
- Behandla alltid varmluftspistolen med samma respekt som en öppen låga.
- Får ej användas i explosionsfarliga omgivningar.

**FARA: EL**

Kan orsaka skada på egendom, allvarliga personskador eller dödsfall.

FÖRHINDRAS GENOM:

- Ta inte isär varmluftspistolen.
- Arbeta inte i våta utrymmen och utsätt inte varmluftspistolen för regn eller fukt.
- Skydda mot elstöt genom att förhindra kroppskontakt med jordade ytor som exempelvis rör, element, spisar, aluminiumstegar eller andra jordade enheter.
- Hantera kabeln på rätt sätt. Bär aldrig varmluftspistolen i kabeln och dra inte i kabeln för att ta ut den från eluttaget. Håll kabeln på avstånd från värme, olja och vassa kanter. Inspektera regelbundet kabeln för slitage och skador.
- Om en förlängningskabel är skadad eller på annat sätt olämplig att använda ska den ersättas med en ny förlängningskabel.

FARA: ALLMÄNT

Kan orsaka skada på egendom eller allvarlig personskada.

FÖRHINDRAS GENOM:

- Koppla alltid från varmluftspistolen från strömförsörjningen när den inte används. Förvaras inomhus på torr plats och utom räckhåll för barn.
- Se till att arbetsområdet är väl upplyst och rent.
- Sträck dig inte, särskilt inte när du arbetar på stege. Stå stadigt och håll dig hela tiden i balans. Var noga med att stegar som används är stadiga och står stabilt på fast mark och är lutad i säker arbetsvinkel.
- Undvik elledningar.
- Håll rörliga föremål säkrade och stadigt under skraparbetet.
- Använd alltid skyddsglasögon under arbetet.
- Var uppmärksam och använd sunt förnuft när du använder verktyg.
- Får ej användas för att tina frusna rör som befinner sig i väggar eller nära brännbara föremål. Använd alltid reflektor munstycke (artikelnr 2366225) tina frysta rör.
- Lämna inte varmluftspistolen utan uppsikt medan den är tillslagen.
- Denna apparat kan användas av barn som är åtta år eller äldre och av personer med försämrad fysisk, känslomässig och mental förmåga eller bristande erfarenhet och kunskap om de får handledning eller instruktioner om hur apparaten används på ett säkert sätt och förstår

farorna vid användningen. Barn ska inte leka med apparaten.

- Håll apparaten och dess kabel utom räckhåll för barn.

STRÖMANSLUTNING

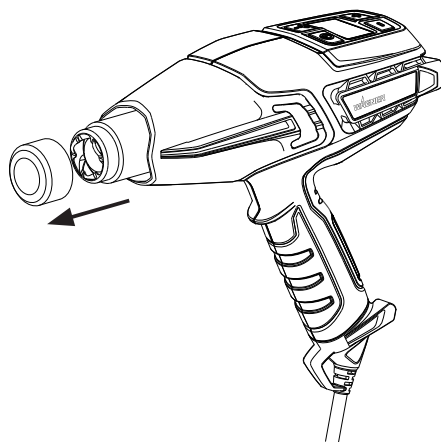
Denna varmluftspistol levereras med kabel. Om kablarna skadas ska de bytas till en ny kabel för att förhindra säkerhetsrisker. Kontakta Wagner kundservice för en utbyteskabel.

OM DU ÄR TVEKSAM SKA DU KONTAKTA EN BEHÖRIG ELEKTRIKER.

VARNING – Använd en förlängningskabel som är kompatibel med kontakten på produkten. Kontrollera att förlängningskabeln är i bra skick. Vid användning av förlängningskabel, ska du vara noga att använda en som är tillräckligt kraftig för den ström som produkten förbrukar. En för klen kabel orsakar spänningsfall, vilket leder till förlorad effekt och överhettning. En godkänd H05RR-F 3 x 1,0 mm² gummikabel är minimikravet för normal användning.

Skyddslock

VARNING – Ta av plastlocket och kasta det innan du använder varmluftspistolen.



Använda varmluftspistolen

Allmän beskrivning

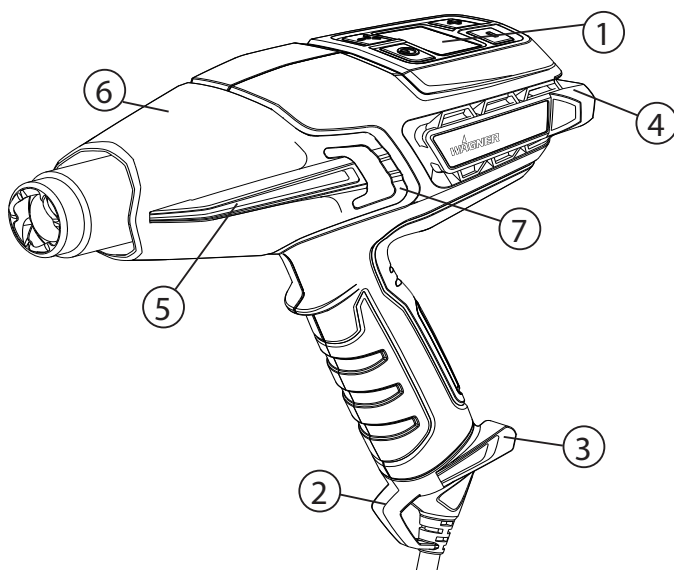
Denna varmluftspistol är ett elektriskt kvalitetsverktyg. Precis som andra elverktyg kan det vara farligt om det används på fel sätt. Läs följande instruktioner noga och följ alla säkerhetsföreskrifter. Det är ägarens ansvar att varmluftspistolen används på rätt sätt.

Specifikationer

Hölje	Tekniska värmebeständiga polymerer som är stöttåliga och korrosionsbeständiga
Effekt	2000 Watt på HÖG, 150 Watt på LÅG
Spänning	220 – 240 V AC
Frekvens	50 – 60 Hz
Värmeeffekt	Ungefär 600 °C på HÖG, ungefär 60 °C på LÅG
Vikt	0,9 kg

Funktioner bild 1

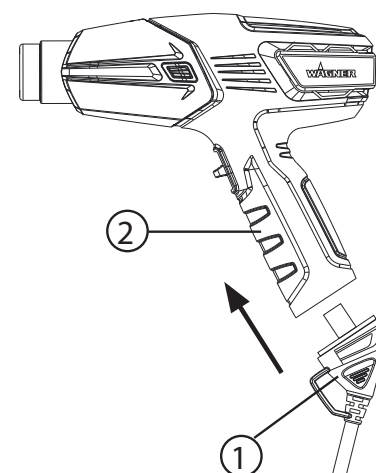
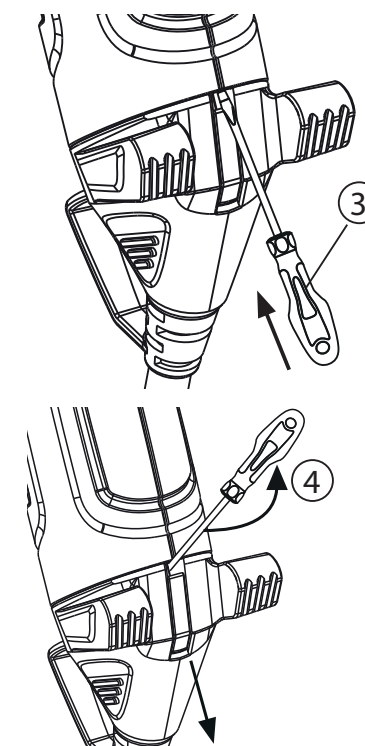
- 1) Kontrollpanel – temperatur och fläktvarvtal
- 2) Upphängningskrok
- 3) Kabel med integrerade stödben (kan tas av med verktyget)
- 4) Bakre stödflänsar (upprättstående)
- 5) Sidostöd som förhindrar att munstycket kommer i kontakt med ytan
- 6) Munstyckesvärmesköld

Bild 1**Ta bort skyddshylsan**

Skyddshylsan kan tas bort när man arbetar på svåråtkomliga platser. **VAR FÖRSIKTIG MED MUNSTYCKET.** Ökad risk för brännskador vid arbete utan skyddshylsan. Ta bort skyddshylsan genom att använda en liten spårskruvmejsel för att lyfta fliken (bild 1, 7) över det upphöjda området.

Fastsättning och borttagning av kabeln

Kabeln (bild 2, 1) till varmluftspistolens levereras separat från varmluftspistolens (bild 2, 2). Fäst den genom att rikta in kabeln efter uttaget på varmluftspistolens handtag och tryck stadigt samman tills du hör ett klick. Kabeln behöver inte tas av igen. Stick in en liten spårskruvmejsel eller ett liknande verktyg i hålet enligt figur 2, 3 för att ta loss kabeln. Använd skruvmejseln som bändverktyg och tryck den uppåt (4) i riktning mot handtaget för att lossa kabeln. Dra stadigt av kabeln från varmluftspistolens.

Bild 2**Fastsättning****Borttagning**

Kontrollpanel med pekskärm

Du kan välja mellan ett brett temperaturintervall på varmluftspistolen, beroende av typen av projekt. Temperaturen kan ställas in via kontrollpanelen.

Temperaturguide LED-display

Beskrivning bild 3	
1) Strömbrytare: Startar och stänger av varmluftspistolen och aktiverar avsvalningsläge	2) Lägesväljare: Ställer in temperaturintervallet och luftflödet som ska användas
3) Lägesindikator: Lågt luftflöde/lågt temperaturintervall (se bild 4, a)	4) Lägesindikator: Högt luftflöde/högt temperaturintervall (se bild 4, b)
5) Lägesindikator: Avsvalning	6) Temperaturindikator: Visar aktuellt inställd värmeeffekt (se bild 4)
7) Temperaturväljare: Sänker temperaturen (-)	8) Temperaturväljare: Ökar temperaturen (+)

Bild 3

Beskrivning bild 4a & 4b

Luftflödesläge:

LÅG

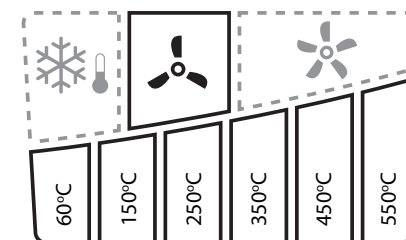
Temperaturintervall:
60 °C - 550 °C

Cykeltemperaturer:
Se bild 3, (7 & 8)

_____ = tänd

- - - - - = släckt

Bild 4a



Luftflödesläge:

HÖG

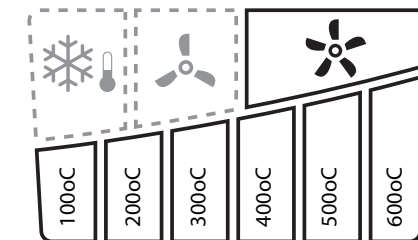
Temperaturintervall:
100 °C - 600 °C

Cykeltemperaturer:
Se bild 3, (7 & 8)

_____ = tänd

- - - - - = släckt

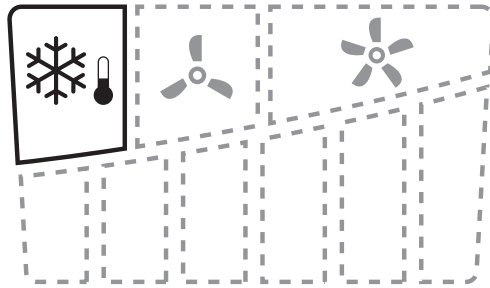
Bild 4b



Avsvalningsläge

Under viloperioder eller när du har slutfört projektet, tryck på strömbrytaren för att aktivera avsvalningsläge (bild 5). Den blå avsvalningsindikatorn tänds och varmluftspistolen fortsätter vara igång, med elementet avaktiverat, för avkyllning.

Bild 5



Upstart



Läs alltid säkerhetsinformationen i den här manualen innan du använder varmluftspistolen.

1. Anslut varmluftspistolen till ett standard eluttag.
2. Starta varmluftspistolen genom att trycka på strömbrytaren på kontrollpanelen (bild 3, 1). När varmluftspistolen har startats ställs automatiskt lågt temperaturintervall (bild 4, a) in på 60 °C och lågt luftflöde in.
3. Om du vill fortsätta arbeta med lågt temperaturintervall trycker du helt enkelt på plus- eller minusknappen på pekskärmen tills önskad temperaturinställning har valts, detta indikeras av att den temperaturstapel som tänts.
4. Om du vill arbeta i högtemperaturintervallet och med högt luftflöde, tryck en gång på lägesväljaren (bild 3, 2). Indikatorn för högtemperaturintervallet tänds. Nu kan du trycka på plus- eller minusknappen på kontrollpanelen tills önskad temperatur har ställts in, detta indikeras av den temperaturstapel som tänds.

VIKTIGT: Om fläktmotorn i varmluftspistolen inte startas av när strömbrytaren trycks in, slå genast från brytaren. Värmeelementet bränns om det inte kyls av fläkten.

5. Under viloperioder eller när du har slutfört projektet, tryck på strömbrytaren för att aktivera avsvalningsläge (bild 5). Den blå avsvalningsindikatorn tänds och varmluftspistolen fortsätter vara igång, med elementet avaktiverat, för avkylning.

6. Ställ ner varmluftspistolen i en upprättstående position. Varmluftspistolen stängs av automatiskt efter 3 minuter.
7. För att hoppa över avsvalningsläget, tryck in och håll strömbrytaren intryckt i två till tre sekunder. Varmluftspistolen stängs av direkt.



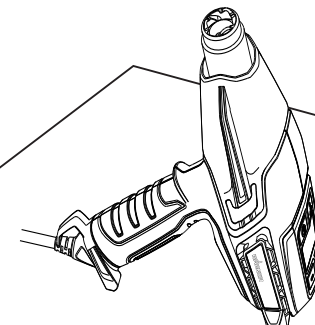
VIKTIGT: Efter avkylningen är hylsan på varmluftspistolen fortfarande varm.

OBS: Rök kan bildas under första uppstarten på grund av att tillverkningsolja bränns. Röken ska försvinna kort efter den första uppstarten.

Handsfree användning bild 6

Varmluftspistolen har ett inbyggt stativ (bild 1, 4) för användning på arbetsbänken och för avsvälning. Alternativt har tillbehöret varmluftspistolens väska (bild 7) konstruerats specifikt för att varmluftspistolen ska placeras i upprättstående position för arbete på ojämna ytor.

Bild 6



AngleLoc (väska)* bild 7a & 7b

A: För in den bakre delen av varmluftspistolen så att de bakre stabiliseringsflänsarna går i spåren på sidorna av håligheten i toppen på väskan.

B: Skjut sedan varmluftspistolen framåt så att den naturligt låses på plats med 135 graders vinkel. Varmluftspistolen ska nu stå säkert för upprättstående användning.

Bild 7a

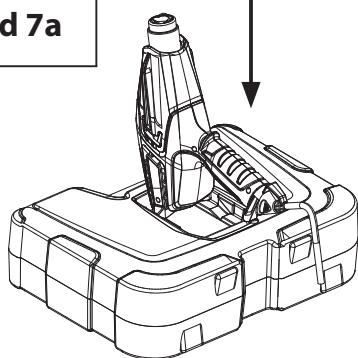
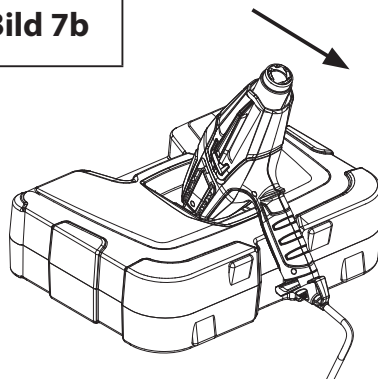


Bild 7b



*AngleLoc väska kan köpas separat. Se sidan 113

VIKTIGT: Om den motordrivna fläkten i varmluftspistolen inte startar när vredet ställs på antingen LÅG eller HÖG ska den genast stängas av. Värmeelementet bränns om det inte kyls av den motordrivna fläkten.

OBS: Placera alltid varmluftspistolen upprätt när den har stängts av, oavsett om det är för en kort paus eller för förvaring. Undvik att lägga enheten på sidan när den har stängts av. Värmen stannar kvar i enheten och avsvälningen tar längre tid. Förvara inte enheten förrän munstycket har svalnat. Ta ur kontakten från enheten innan den läggs på förvaring för att förhindra att den oavsiktligt startar.

VIKTIGT: Skydda alltid glaset vid arbete i närheten av fönster.



Rör inte vid munstycket eller andra verktyg som används under arbetet. De blir extremt heta och orsakar allvarliga brännskador. Använd handskar för att skydda händerna mot heta avskrap.

Många variabler påverkar uppvärmningsarbetet, till exempel materialet som värms upp, omgivningstemperaturen, avståndet från varmluftspistolen och substratet och uppvärmningstekniken. Därför tillhandahåller Wagner temperaturriktlinjer för vissa tillämpningar. Starta alltid varmluftspistolen på lägsta temperaturen i intervallet och öka därefter temperaturen till optimal temperatur har uppnåtts. Håll alltid varmluftspistolen i rörelse och minst 5 cm från substratet när värme appliceras.

F500 varmluftspistol är ett av de mest mångsidiga verktyg du kan äga. Den kan användas för många olika projekt, från stora GDS-projekt till små konst- och hantverksjobb. För mer information om flera projekt och "Gör så här"-filmer är du välkommen att besöka vår webbsidan www.wagner-group.com.

Användning		Värme	Munstyckes- alternativ
GDS	Ta bort färg	HÖG	Koncentrerande eller brett
	Väggreparation	LÅG	Öppen (inget munstycke)
	Torka färg	LÅG	Öppen (inget munstycke)
	Mjukar upp limmer för borttagning av golvplattor	LÅG	Brett koncentrerande
	Böja plast, plexiglas, formica	LÅG/ HÖG	Reflektor munstycke
	Ta bort formica och linoleum	LÅG	Brett koncentrerande
	Mjukar upp färg, tätning och kitt för att underlätta borttagning	HÖG	Koncentrerande eller Brett koncentrerande
	Borttagning av lack	LÅG- MED	Brett koncentrerande
	Krymper plastfilm för omslag eller väderskydd	LÅG	Brett koncentrerande
Små jobb (inkluderat reparation)	Lösgörning av fastrostade muttrar, skruvar och kopplingar	HÖG	Öppet/koncentrerande
	Reparation av jeans	LÅG	Brett koncentrerande
	Bränna ogräs	HÖG	Koncentrerande
	Ta bort lim	LÅG	Öppen (inget munstycke)
	Valla skidor/snowboard	LÅG	Brett koncentrerande
	Glasfiberarbete	HÖG	Koncentrerande eller brett

Användning		Värme	Munstyckes- alternativ
	Tina upp rörledningar och lås	LÅG	Reflektor munstycke
	Tända en grill	HÖG	Koncentrerande/ BBQ-munstycke
	Värma krympslang/anslutningar	LÅG- MED	Reflektor munstycke
	Värma betong före lappning	LÅG/ HÖG	Koncentrerande
	Avfrostas kyl/frys	LÅG	Öppen (inget munstycke)
	Konst och hantverk	Göra ljus	LÅG
Göra tvål		LÅG	Öppen (inget munstycke)
Krympa omslag presenter		LÅG	Öppen (inget munstycke)
Forma skum		LÅG	Öppen (inget munstycke)
Kakdekoration		LÅG/ HÖG	Öppen (inget munstycke)
Bil		Ta bort klistermärken, emblem och dekaler	LÅG
	Ta bort bucklor	HÖG	Öppen (inget munstycke)
	Ta bort färg	HÖG	Koncentrerande eller brett
	Applicera och ta bort toning från fönster	LÅG	Öppen (inget munstycke)
	Återställa stötdämpare	HÖG	Öppen (inget munstycke)
Elektronik	Reparation av smartphones och surfplattor	LÅG	Koncentrerande
	Reparation av Playstation och Xbox	LÅG	Koncentrerande

Ta bort färg

Varmluftspistolen värmer upp ytan och gör att färgen blir mjuk så att den är lätt att skrapa av utan att skada ytan. En del färger blir mjuka även om det inte bildas bubblor, en del blir gummiaktiga och en del kräver högre värme.

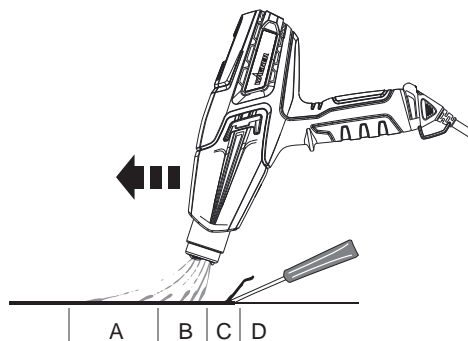
När man arbetar med flera lager färg går det snabbare att skrapa av färgen om hela lagret av ytan värms upp, helt in till träet. därefter kan alla lager skrapas av på en gång.

En mjuk borste kan vara det bästa verktyget att använda för mycket besvärliga ytor. Mineralfärger och ytbehandlingar, till exempel cementfärg och porslin, blir inte mjuka av värme så det fungerar inte att använda ett uppvärmningsverktyg för borttagning av sådan färg.

Den bästa metoden för färgborttagning

För varmluftspistolen sakta och stabilt framåt med en vinkel mot ytan. Peka munstycket i rörelseriktningen. Därmed kan du skrapa säkert utanför varmluftsströmmen och hålla skrapan och den skrapade ytan avsväljad.

- A. Varm lyft förvärmer ytan.
- B. Färgen blir mjuk av varm luft.
- A + B. Djupgående penetrering av värme över hela ytan.
- C. Färgen kan enkelt skrapas av så snart den har blivit mjuk och varmluftspistolen rörs framåt.
- D. Låt den avskrapade ytan svalna.



OBS: Använd inte varmluftspistolen på ytor som kan skadas av värme, till exempel vinylbelagda paneler, vinylbelagd fasadklädsel eller vinylbelagda fönsterkarmar.

Vid borttagning av färg från fönsterkarmar blir kittet mjukt av värmen. Var försiktig så att inte kittet tas bort av skrapan. Kittet stelnar igen när det svalnar.

Använd inte varmluftspistolen på isolerglasfönster som exempelvis Thermopane. Glaskantens expansion kan göra att kanttätningen brister.

Vid avskrapning av fasader, överhettas inte kanterna på asfaltshingel som sticker ut över kanten. För hög temperatur smälter asfalten.

VIKTIGT: Det är säkert att ta bort färgen med en varmluftspistol om ovanstående anvisningar följs, men håll alltid en behållare med vatten eller en ABC brandsläckare (lämplig mot bränder av klass A, B och C) inom räckhåll.

Rengöring och underhåll

Håll insugningsöppningarna på höljet rena och fria från hinder. Använd en mjuk, torr borste för att regelbundet rengöra öppningarna. Använd endast mild såplösning och en fuktig trasa för att rengöra varmluftspistolen. Många hushållsrengöringsmedel innehåller kemikalier som kan skada höljet allvarligt.

Använd inte bensen, terpentin, lack- eller färgtinner, kemtvättmedel eller liknande produkter vid rengöring av varmluftspistolen.

Låt **ALDRIG** någon vätska komma in i verktyget och sänk inte ner någon del av verktyget i vätska.

Rengöring och underhåll ska inte utföras av barn.

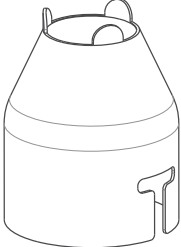
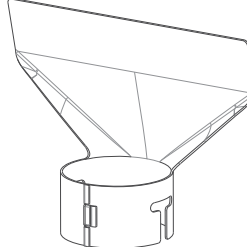
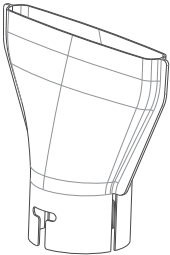

Förvaring

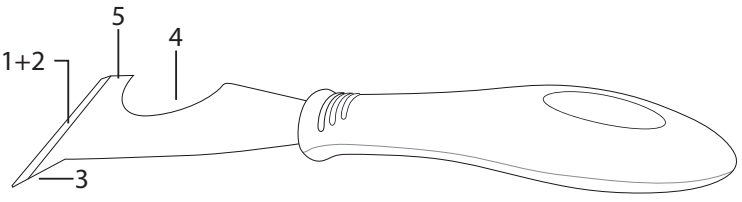
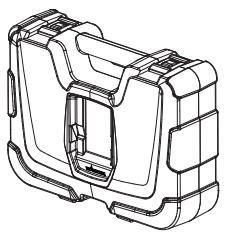
Låt varmluftspistolens munstycke svalna till rumstemperatur innan den läggs på förvaringsplatsen.

Munstycket blir mörkt med tiden på grund av den höga temperaturen. Detta är normalt och påverkar inte enhetens funktion eller livslängd.

Tillbehör

Följande tillbehör kan medfölja till varmluftspistolen eller kan köpas separat från www.wagner-group.com/service.
Se alternativt baksidan av manualen för information om närmaste servicecenter.

Namn	Beskrivning	Namn	Beskrivning		
Koncentrerande munstycke P/N2366222		Riktar det koncentrerade värmeflödet mot arbetsytan. Perfekt för borttagning av färg i svåråtkomliga hörn, springor, gjutformar, pärlspont eller kornisher.	Glasskydds- munstycke P/N2366224		Leder bort värmen från glas och andra känsliga områden. Perfekt för fönsterkarmar, gesimser och golvlister.
Brett koncentrerande munstycke P/N2366223		Riktar ett långt, smalt värmemönster mot arbetsytan. Perfekt för borttagning av färg eller lack från stora, släta ytor, till exempel golvlister, dörrar, trappor, etc. Det ska användas tillsammans med en plan skrapa.	Reflektor munstycke P/N2366225		Sprider värmeflödet jämnt runt hela arbetsytan. Perfekt för upptining av frusna rörledningar, lödning av rör, böjning av plast eller värmekrympning av elisoleringsrör.

Namn	Beskrivning
 <p>5-i-1 detaljerat skrapverktyg P/N2366227</p>	<p>Detta verktyg har fem funktioner. Bladet används för att (1) skrapa bort färg och (2) sprida ut massa. Håljärnet (3) används för att ta bort kitt/tätning från öppna sprickor. Det böjda området (4) används för att rengöra valskåpor. Den plana sidan (5) kan användas för att öppna färgburkar.</p>
 <p>Väska P/N2366226</p>	<p>Varmluftspistolens väska med AngleLoc har konstruerats specifikt för att varmluftspistolen ska placeras i upprättstående position för arbete på jämna ytor.</p>

VIKTIGT: Använd alltid handskar när du hanterar varmluftspistolen.

För att fästa ett tillbehör på varmluftspistolen:

1. Ställ varmluftspistolen upprätt på en plan yta och vänta tills munstycket har svalnat.
2. Sätt fast tillbehöret på varmluftspistolens munstycke och tryck det på plats för hand.

För att ta bort ett tillbehör från varmluftspistolen:

1. Ställ varmluftspistolen upprätt på en plan yta och vänta tills munstycket har svalnat.
2. Dra av tillbehöret från munstycket.

Produktregistrering

Registrera produkten online på www.wagner-group.com/3plus1 för att kvalificera för ett års extra garanti.

3+1 års garanti

Garantin gäller i tre år, räknat från försäljningsdatumet (inköpskvitto). Garantin förlängs med ytterligare tolv månader om utrustningen registreras inom fyra veckor från inköpsdatum på www.wagner-group.com/3plus1. Registrering är endast möjlig om köparen godkänner att informationen som ska lämnas sparas. Garantin omfattar och är begränsad till kostnadsfri åtgärd av fel som kan visas bero på användning av defekta material vid tillverkningen eller tillverkningsfel, eller kostnadsfritt byte av defekta delar. Garantin omfattar inte felaktig användning eller idrifttagnings-, anslutnings- eller reparationsarbete som inte anges i bruksanvisningen. Slitagedelar omfattas inte av garantin. Garantin gäller inte vid kommersiell användning. Vi förbehåller oss uttryckligen rätten att uppfylla garantin. Garantin upphör att gälla om verktyget öppnas av någon annan än Wagners servicepersonal. Transportskador, underhållsarbete och förlust eller skador på grund av felaktigt underhållsarbete omfattas inte av garantin. Vid eventuella garantianspråk måste inköpskvittot lämnas in. Där det är legalt möjligt fransäger vi oss allt ansvar för personskador, skador eller följdskador, särskilt om verktyget har använts för annat syfte än det som anges i bruksanvisningen, idrifttagits eller reparerats på annat sätt än i enlighet med vår bruksanvisning eller om reparationer har utförts av någon som inte är kompetent. Vi förbehåller oss rätten att utföra reparationer utöver det som anges i bruksanvisningen. Vid garantifall eller reparationer ska du kontakta inköpsstället. Denna garanti påverkar inte dina lagstadgade rättigheter.

INFORMATION OM AVFALLSHANtering AV ELEKTRISK OCH ELEKTROINISK UTRUSTNING (WEEE-DIREKTIVET)



Maskinen samt tillbehör och förpackning ska lämnas in för återvinning. Den får inte kastas i hushållssoporna. Var miljömedveten! Lämnna utrustningen till kommunens återvinningscentral eller fråga leverantören.

EU Konformitetsförklaring

Vi intygar och ansvarar för, att denna produkt överensstämmer med följande norm och dokument:

2014/35/EU, 2014/30/EU, 2011/65/EU, 2012/19/EU

Använta harmoniserade normer:

EN 60335-1, EN 60335-2-45, EN 55014-1, EN 55014-2, EN 61000-3-2, EN 61000-3-3, EN 62233

EU-konformitetsförklaringen medföljer produkten. Den kan vid behov beställas genom ordernummer **2389336**.



**Viktig sikkerhetsinformasjon • Les all sikkerhetsinformasjon før utstyret tas i bruk.
Ta vare på disse instruksjonene**

For å redusere faren for brann eller eksplosjon, elektrisk støt og personskader, skal alle instruksjoner i denne håndboken leses og forstås. Gjør deg kjent med kontroller og korrekt bruk av utstyret.



Indikerer en faresituasjon som kan føre til dødsfall eller alvorlig personskade, dersom den ikke unngås.

FARE: GIFTIG

Det må utvises ekstrem forsiktighet når lakken fjernes. Avskallinger, rester og malingdamp kan inneholde bly som er giftig. All maling som er brukt i hus fra før 1950, inneholder sannsynligvis bly. All maling som er produsert før 1977 kan inneholde bly. Når malingen er påført på overflater, kan hendenes kontakt med munnen medføre inntak av bly. Selv inntak av lave blynivåer kan medføre irreversible skader på hjerne og nervesystem. Små og ufødte barn er spesielt sårbare i forhold til blyforgiftning.

Før alle fjerningsprosesser for maling bør du avgjøre om malingen som fjernes, inneholder bly. Dette kan gjøres av din lokale helseavdeling eller av profesjonelle som bruker en malinganalysator for å kontrollere blyinnholdet i malingen som skal fjernes. Blybasert maling skal bare fjernes av profesjonelle og skal ikke fjernes med varmepistol.

HINDRING:

Flytt arbeidsstykket utendørs, skjermet for regn. Hvis dette ikke er mulig, må arbeidsområdet holdes godt ventilert. Åpne vinduene og plasser en ventilasjonsvifte i et av disse. Sørg for at viften skyver luften innenfra og ut.

- Fjern eller dekk til eventuelle tepper, matter, møbler, klær, kjøkkenutstyr og luftkanaler.
- Plasser tildekningstepper i arbeidsområdet for å fange opp malingbiter og avskallinger. Bruk verneklær som f.eks. ekstra

arbeidsskjorter, forklær og luer.

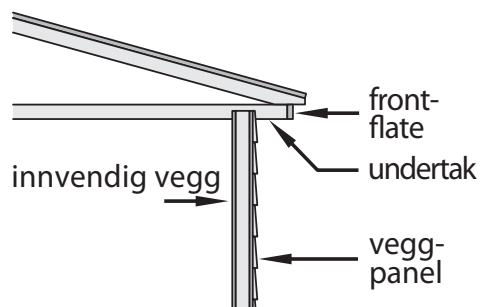
- Arbeid i ett rom om gangen. Innredning bør fjernes eller plasseres i midten av rommet og dekkes til. Arbeidsområder skal være forseglett i forhold til resten av oppholdsrommet ved å forsegle døråpninger med tildekningstepper.
- Bruk en godkjent støvpustemaske eller en pustemaske med dobbelt filter mot støv og gasser. Disse maskene og utskiftbare filtere kan anskaffes fra større jernvarehandler. Sørg for at maskene passer perfekt. Skjegg og ansiktshår kan medføre at maskene ikke tetter korrekt. Skift filtrene ofte. Kasserbare papirmasker skal ikke brukes.
- Vær forsiktig ved bruk av varmepistol. Sørg for at varmepistolen beveges hele tiden, da for mye varme vil generere gasser som kan inhaleres av operatøren.
- Hold mat og drikke borte fra arbeidsområdet. Vask hender, armer og ansikt og rens munnen før det inntas mat og drikke. Ikke røyk eller tygg tyggegummi eller tobakk i arbeidsområdet.
- Rengjør all fjernet maling og støv med våtmopp på gulvene. Bruk en fuktig klut til å rengjøre alle vegger, terskler og alle andre overflater hvor det kan være malingstøv. Ikke børst, tørk med tørr klut eller bruk støvsuger. Bruk høyfosfats vaskemiddel av trinatriumfosfat (TSP) for å vaske og moppe områdene.
- På slutten av hver arbeidsøkt skal malingbiter og rester legges i dobbel plastpose, denne lukkes med tape eller med knuter og kasseres på korrekt måte.
- Ta av verneklær og arbeidssko i arbeidsområdet for å unngå at støv bæres inn i resten av bygningen. Vask arbeidsklærne for seg selv. Tørk av skoene med en våt klut og vask dem deretter sammen med arbeidsklærne. Vask hår og kropp grundig med såpe og vann.

FARE: EKSPLOSJON ELLER BRANN

Denne varmepistolen produserer ekstremt høye temperaturer (opp til 600 °C). Den må brukes med forsiktighet for å hindre at brennbare materialer antennes.

FORHOLDSREGLER:

- Hold varmepistolen i konstant bevegelse. Ikke stans eller nøl på et enkelt sted.
- Utvis ekstrem forsiktighet hvis den andre siden av materialet som skrapes, er utilgjengelig, som f.eks. på siden av hus. Den skjulte siden kan begynne å brenne hvis den blir for varm. Noen bygninger inneholder svært brennbare materialer bak sidevegger, gulver, overflater, gardinplater og andre paneler. Kontroller disse før det brukes varme, og ikke bruk varmeverktøy hvis det finnes brennbare materialer eller hvis du er usikker på de skjulte materialene.
- Ikke bruk i nærheten av overflater med sprekker eller nær metallrør eller beslag. Varme kan overføres bak arbeidsflaten og antenne skjulte materialer. Antenning av skjulte materialer er ikke nødvendigvis åpenbart og kan medføre skade på eiendom og personskader.
- Ikke bruk elektrisk verktøy når det finnes brennbare væsker eller gasser.
- Ikke bruk i nærheten av brennbare materialer, som tørt gress, blader og papir som kan brenne og antennes.
- Dysen blir svært varm. Ikke legg varmepistolen på brennbare overflater når pistolen er bruk eller umiddelbart etter at pistolen er slått av. Plasser alltid pistolen på et flatt, jevnt underlag slik at dysespissen er rettet oppover og vekk fra støtteflaten.
- Ikke berør dysen før verktøyet er avkjølt.
- Ikke bruk varmepistolen som hårtørker.
- Verktøy og malingbiter blir svært varme. For å unngå brannskader må det brukes arbeidshansker og øyebeskyttelse under skrapping.
- Behandle alltid varmepistolen med samme respekt som med åpne flammer.



- Må ikke brukes i områder med eksplosiv luft.

FARE: ELEKTRISITET

Kan medføre skade på eiendom, alvorlige personskader eller dødsfall.

FORHOLDSREGLER:

- Ikke ta fra hverandre varmepistolen.
- Det må ikke arbeides i fuktige omgivelser og varmepistolen må ikke utsettes for regn eller fuktighet.
- Beskytt mot elektrisk støt ved å forhindre kroppskontakt med jordede overflater som rør, radiatorer, koblinger, aluminiumstiger eller andre jordede enheter.
- Ikke misbruk ledningene. Løft aldri varmepistolen i ledningen eller dra i ledningen for å koble den fra strømtilførselen. Hold ledningene borte fra varme, olje og skarpe kanter. Inspiser ledningene jevnlig for slitasje eller skader.
- Hvis en skjøtekabel er skadet eller blir ubrukelig på annen måte, skal den erstattes med en ny skjøtekabel.

FARE: GENERELT

Kan medføre skade på eiendom eller alvorlige personskader.

FORHOLDSREGLER:

- Koble alltid varmepistolen fra strømtilførselen når den ikke er i bruk. Lagre innendørs på et tørt sted og utenfor rekkevidde for barn uten oppsyn.
- Hold arbeidsområdet godt belyst og rent.
- Ikke bøy for langt over, spesielt ved arbeid på stiger. Sørg for godt fotfeste og god balanse til enhver tid. Sørg for at stiger som brukes, er solide, stabile, står på fast underlag og er reist i trygge arbeidsvinkler.
- Unngå strømledninger.
- Hold bevegelige elementer sikret og stødig under skrapping.
- Bruk alltid øyebeskyttelse under arbeidet.
- Vær oppmerksom og bruk sunn fornuft når verktøyet brukes.
- Bruk aldri for å tine opp frosne rør som er plassert inne i vegger eller nær brennbare materialer. Bruk alltid reflektormunnstykket (delnr. 2366225) for å tine frosne rør.
- Ikke la varmepistolen ligge uten oppsyn når den er slått på.
- Dette utstyret kan brukes av barn over 8 år og personer med reduserte fysiske, følelsesmessige og mentale evner eller manglende erfaring og kunnskap hvis de har fått opplæring eller instruksjon med

hensyn til bruk av utstyret på en trygg måte og forstår farene som er involvert. Barn skal ikke leke med utstyret.

- Hold utstyret og ledningen utenfor rekkevidde for barn.

STRØMTILKOBLING

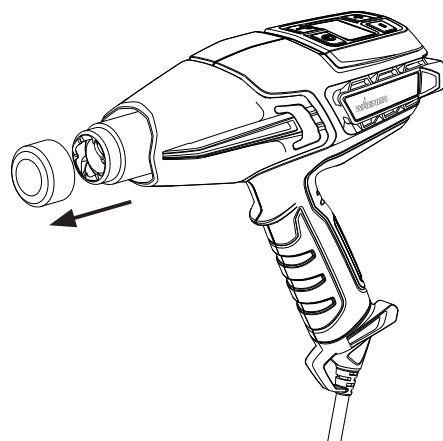
Denne varmepistolen er utstyrt med et ledningssett. Hvis ledningssettet er skadet, må det erstattes med et nytt ledningssett for å unngå farer for sikkerheten. Ta kontakt med Wagner kundetjeneste for erstatningsledninger.

ITVILSTILFELLER, TA KONTAKT MED EN KVALIFISERT ELEKTRIKER.

ADVARSEL - Bruk en skjøtekabel som passer til pluggen for produktet. Sørg for at skjøtekabelen er i god stand. Ved bruk av skjøtekabel må det påses at denne er tykk nok til strømmen som trekkes av produktet. En ledning som er for tynn, vil medføre spenningsfall og dermed effekttap og overoppheting. En harmonisert H05RR-F 3 x 1,0 mm² gummiledning er nødvendig som minstekrav for vanlig bruk.

Beskyttelsesdeksel

ADVARSEL - Fjern plastdeksel og kast dette før varmepistolen brukes.



Bruk av varmepistolen

Generell beskrivelse

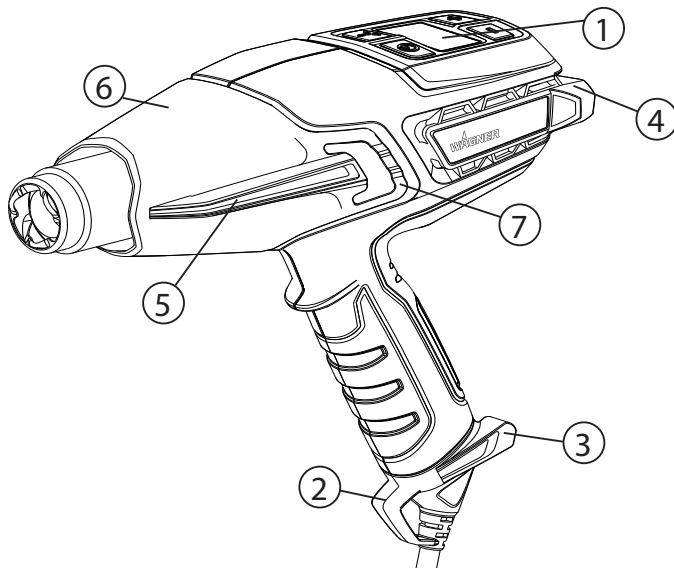
Denne varmepistolen er et elektrisk kvalitetsverktøy. Som alle elektriske verktøy kan den være farlig ved feil bruk. Les følgende instruksjoner nøye og følg alle sikkerhetsanvisninger. Det er eierens ansvar å bruke varmepistolen på korrekt måte.

Spesifikasjoner

Hus	Støt- og korrosjonsbestandig og varmebestandig polymer
Effekt	2000 Watt på HØY, 150 Watt på LAV
Spenning	220 - 240 V AC
Frekvens	50 - 60 Hz
Varmeutgang	Omtrent 600 °C på HØY, omtrent 60 °C på LAV
Vekt	0,9 kg

Egenskaper fig. 1

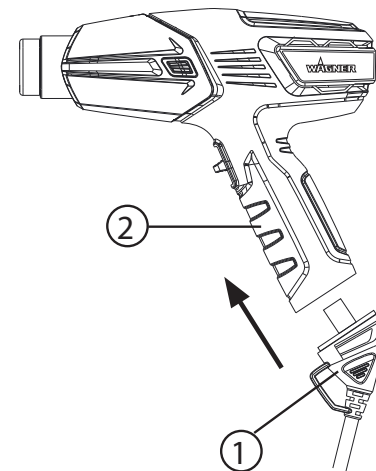
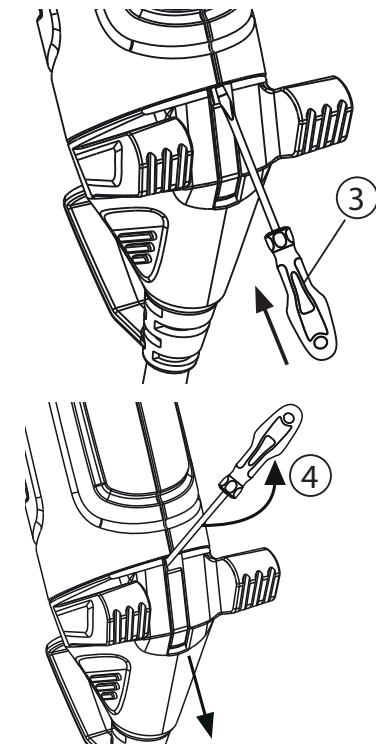
- 1) Kontrollpanel - temperatur og vifteturtall
- 2) Opphengskrok
- 3) Ledningssett med integrert stabilisering (kan fjernes med verktøy)
- 4) Bakre stabilisatorvinger (stående)
- 5) Sidestag for å hindre at dysen berører underlaget
- 6) Varmeskjold for dyse

Fig. 1**Fjerne tønneakselet**

Tønneakselet kan fjernes ved arbeid på vanskelig tilgjengelige steder. **VÆR FORSIKTIG MED DYSEN.** Økt fare for brannskader foreligger ved arbeid uten tønneaksel. For å fjerne tønneakselet brukes en liten, flat skrutrekker for å løfte tappen (fig. 1, 7) over det hevede området.

Montering og fjerning av ledningssettet

Ledningssettet (fig. 2, 1) for varmpistolen leveres atskilt fra pistolen (fig. 2, 2). For å feste dette legges ledningen langs bunnen på pistolens håndtak og disse presses godt sammen inntil du hører et klikk. Ledningssettet behøver ikke fjernes. Hvis ledningssettet må tas av, må du føre et lite, flatt skrujern (fig. 2, 3) eller et lignende verktøy som på bildet inn i hullet. Bruk skrujernet som spak og trykk det opp (4) i retning håndtaket for å løsne ledningssettet. Trekk fast i ledningssettet, vekk fra pistolen.

Fig. 2**Montering****Fjerning**

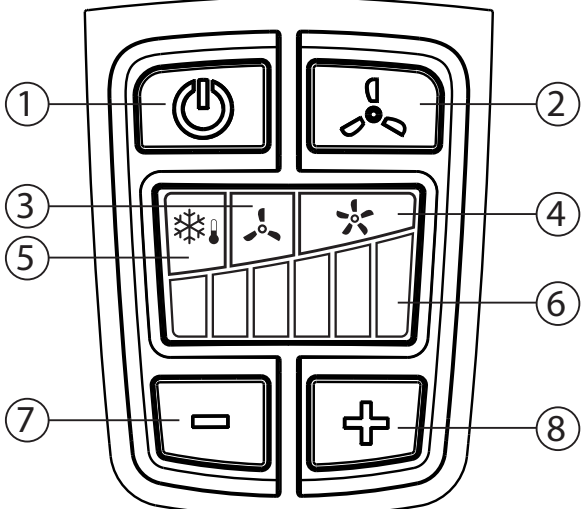
Berøringsflate kontrollpanel

Varmepistolen gir mulighet for å velge innenfor et bredt temperaturområde, avhengig av prosjekttypen. Temperaturen kan styres via kontrollpanelet.

Temperaturstyring LED-display

Beskrivelse fig. 3	
1) Strømknapp: Slår varmepistolen PÅ og AV eller bytter til avkjølingsmodus	2) Modusvelger: Innstiller temperaturområdet og luftstrømhastigheten du bruker
3) Modusindikator: Lav luftstrøm / lavt temperaturområde (se fig. 4, a)	4) Modusindikator: Høy luftstrøm / høyt temperaturområde (se fig. 4, b)
5) Modus-indikator: Avkjøling	6) Temperaturindikator: Viser nåværende innstilling for varmeuttak (se fig. 4)
7) Temperaturvelger: Reduserer temperaturen (-)	8) Temperaturvelger: Øker temperaturen (+)

Fig. 3



Beskrivelse fig. 4a & 4b

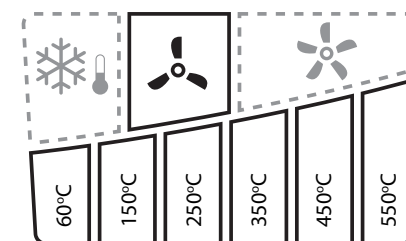
Luftstrømmodus:
LAV

Temperaturområde:
60 °C - 550 °C

Syklustemperaturer:
Se fig. 3, (7 & 8)

_____ = Lyser
- - - - - = Lyser ikke

Fig. 4a



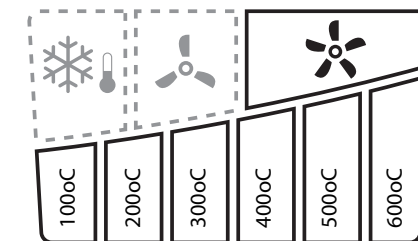
Luftstrømmodus:
HØY

Temperaturområde:
100 °C - 600 °C

Syklustemperaturer:
Se fig. 3, (7 & 8)

_____ = Lyser
- - - - - = Lyser ikke

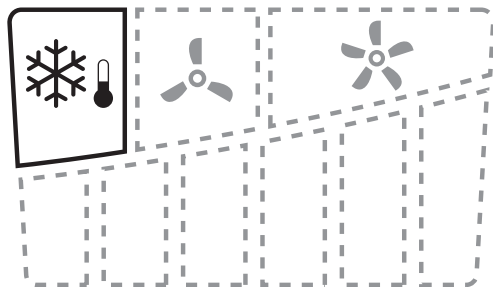
Fig. 4b



Avkjølingsmodus

Under hvileperioder eller når du er ferdig med prosjektet, trykkes strømknappen for å gå til avkjølingsmodus (fig. 5). Den blå avkjølingsindikatoren slås på og pistolen fortsetter å gå med elementet deaktivert, for kjøling.

Fig. 5



Oppstart



Les alltid sikkerhetsinformasjonen som følger med denne håndboken, før varmepistolen brukes.

1. Sett inn varmepistolens plugg i en standard strømkontakt.
2. Slå på varmepistolen ved å trykke på strømknappen i kontrollpanelet (fig. 3, 1). Når pistolen slås på, er temperaturen automatisk innstilt på det lave temperaturområdet (fig. 4, a) ved 60 °C og en lav innstilling for luftstrøm.
3. Hvis du ønsker å fortsette arbeidet i det lave temperaturområdet, kan du ganske enkelt trykke på pluss- eller minusknappene på berøringsflaten inntil den ønskede innstillingen er valgt, dette indikeres ved at temperaturstrekken lyser.
4. Hvis du ønsker å arbeide innenfor det høye temperaturområdet og med høy luftstrøminnstilling, trykker du på modusvelgerknappen (fig. 3, 2) en gang. Indikatorlampen for høyt temperaturområde tennes. Du kan nå ganske enkelt trykke på pluss- eller minusknappene på kontrollpanelet inntil den ønskede temperaturinnstillingen er nådd, dette indikeres ved at temperaturstrekken lyser.

VIKTIG: Hvis viftemotoren i varmepistolen ikke slås på når strømknappen aktiveres, slås bryteren AV med en gang. Varmeelementet vil brenne opp hvis det ikke avkjøles av viften.

5. Under hvileperioder eller når du er ferdig med prosjektet, trykkes strømknappen for å gå til avkjølingsmodus (fig. 5). Den blå

avkjølingsindikatoren slås på og pistolen fortsetter å gå med elementet deaktivert, for kjøling.

6. Sett ned pistolen i stående posisjon. Varmepistolen slås automatisk av etter 3 minutter.
7. For å avbryte avkjølingsmodus trykkes og holdes strømknappen inne i 2 til 3 sekunder. Pistolen slås av med en gang.



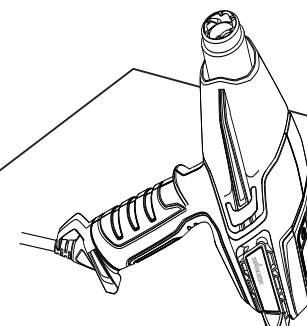
VIKTIG: Etter avkjølingsmodus vil tønne på varmepistolen fortsatt være varm.

Merk: Røyk kan oppstå under den første oppstarten på grunn av brenning av produksjonsoljer. Røyken vil spres kort etter første oppstart.

Håndfri-betjening fig. 6

Varmepistolen har et integrert stativ (fig. 1, 4) for bordapplikasjoner og for nedkjøling. Alternativt er ekstrautstyret varmepistolens bæreholder (fig. 7) spesielt utformet for å plassere varmepistolen i stående posisjon for arbeid på ujevnt underlag.

Fig. 6



AngleLoc (bæreholder)* fig. 7a & 7b

A: Sett inn baksiden av varmepistolen slik at de bakre stabiliseringsvingene plasseres under kantene på sideveggen til hulrommet øverst i bæreholderen.

B: Skyv deretter varmepistolen forover slik at den låses naturlig på plass i en 135 graders vinkel. Varmepistolen skal nå være trygg for stående bruk.

Fig. 7a

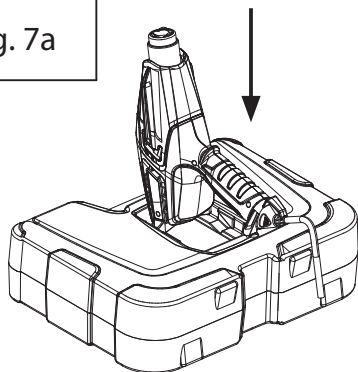
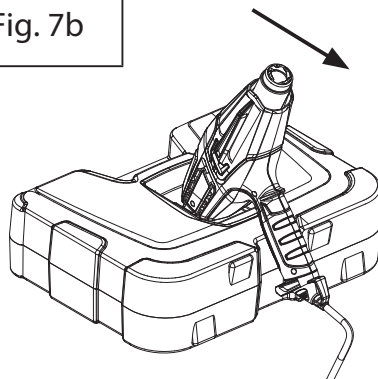


Fig. 7b



*AngleLoc bæreholder kan kjøpes separat. Se side 125

VIKTIG: Hvis den motordrevne viften i varmepistolen ikke slås på når bryteren settes enten på LAV eller HØY, slås bryteren AV med en gang. Varmeelementet vil brenne opp hvis det ikke avkjøles av den motordrevne viften.

Merk: Plasser alltid varmepistolen stående etter at den er slått av, enten for en kort pause eller for lagring. Unngå å legge enheten på siden etter at den er slått av. Varmen blir værende i enheten og kjølingen tar lenger tid. Lagre enheten etter at dysen er avkjølt. Trekk ut ledningen for enheten før lagring for å unngå utilsiktet oppstart.

VIKTIG: Beskytt alltid glass ved arbeid i nærheten av vinduer.



Ikke berør dysen eller annet verktøy som brukes under arbeidet. Dette blir ekstremt varmt og vil medføre alvorlige brannskader. Bruk hansker for å beskytte hendene mot varme avskrapinger.

Mange forhold påvirker varmebehandlingen, som f.eks. materialet som varmes opp, utetemperaturen, avstanden fra pistolen til underlaget og varmeteknikken. Wagner har derfor laget temperaturretningslinjer for bestemte applikasjoner. Start alltid med varmepistolen på laveste temperatur i området, og hev deretter temperaturen inntil optimal temperatur er nådd. Hold alltid varmepistolen i bevegelse og minst 5 cm fra underlaget når det varmes opp.

F500 varmepistol er et av de mest allsidige verktøyene du kan eie. Det kan brukes til en mengde forskjellige prosjekter, fra store reparasjoner til små håndverksjobber. For flere informasjonen om diverse prosjekter og "Hvordan"-videoer, se nettsiden www.wagner-group.com.

Bruk		Varme	Dysespiss- alternativer
Reparasjon	Fjerne maling	HØY	Konsentrert eller bred
	Veggreparasjon	LAV	Åpen (ingen spiss)
	Tørke maling	LAV	Åpen (ingen spiss)
	Bløtgjøre lim for å fjerne gulvfliser	LAV	Bred konsentrasjon
	Bøye plast, plexiglass, formingsmasse	LAV/HØY	Reflektor-munnstykket
	Fjerne formingsmasse og linoleum	LAV	Bred konsentrasjon
	Bløtgjøre maling, kalk og kitt for enklere fjerning	HØY	Konsentrert eller bred konsentrasjon
	Fjerne lakk	LAV-MIDDELS	Bred konsentrasjon
	Krympe plastfilm for innpakning eller vanntetthet	LAV	Bred konsentrasjon
Mindre jobber (inkludert reparasjon)	Løsne rustede muttere, bolter og fester	HØY	Åpen / Konsentrert
	Reparere bukser	LAV	Bred konsentrasjon
	Brenne ugress	HØY	Konsentrert
	Fjerne lim	LAV	Åpen (ingen spiss)
	Vokse ski/snøbrett	LAV	Bred konsentrasjon
	Glassfiberarbeid	HØY	Konsentrert eller bred

Bruk		Varme	Dysespiss- alternativer	
	Tine rør og låser	LAV	Reflektor-munnstykket	
	Tenning av grill	HØY	Konsentrert / Grilldyse	
	Varmekrympe rør/kontakter	LAV-MIDDELS	Reflektor-munnstykket	
	Varme betong før utbedring	LAV/HØY	Konsentrert	
	Avising kjøleskap / fryser	LAV	Åpen (ingen spiss)	
	Kunsthåndverk	Lage stearinlys	LAV	Åpen (ingen spiss)
		Lage såpe	LAV	Åpen (ingen spiss)
Krympe innpakninger av presanger		LAV	Åpen (ingen spiss)	
Formeskum		LAV	Åpen (ingen spiss)	
Kakepynt		LAV/HØY	Åpen (ingen spiss)	
Bilteknikk	Fjerne etiketter, emblemer og dekaleringer	LAV	Åpen (ingen spiss)	
	Fjerne bulker	HØY	Åpen (ingen spiss)	
	Fjerne lakk	HØY	Konsentrert eller bred	
	Påføre og fjerne vindusmaling	LAV	Åpen (ingen spiss)	
	Reparere støtfangere	HØY	Åpen (ingen spiss)	
Elektronikk	Reparere smarttelefon og nettbrett	LAV	Konsentrert	
	Reparere PlayStation og Xbox	LAV	Konsentrert	

Fjerne maling

Varmepistolen varmer opp overflaten og medfører at malingen mykner, deretter kan den skrapes enkelt av uten å skade overflaten. Noen malingstyper kan mykne uten å boble, noen kan bli gummiaktige og noen kan kreve høyere varme.

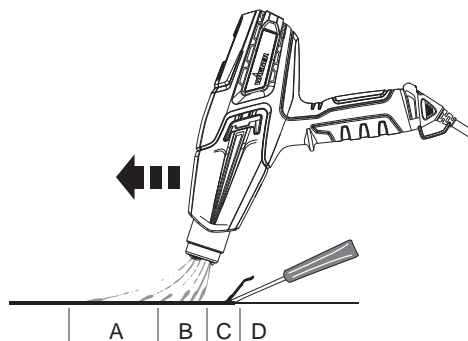
Ved arbeid med flere lag maling vil det påskynde skrapeprosessen når overflaten oppvarmes grundig, hele veien ned til treverket, dermed kan alle lagene skrapes av samtidig.

En myk stålbørste kan være det beste verktøyet for svært vanskelige overflater. Minerallakk og glansing, som f.eks. sementmaling og porselen, mykner ikke ved oppvarming, bruk av varmeverktøy vil dermed ikke virke for fjerning av maling.

Den beste metoden for fjerning av maling

Beveg varmpistolen langsomt og stødig forover i en vinkel mot overflaten, dysen skal peke i bevegelsesretningen. Dette gir deg mulighet til å skrape sikkert på utsiden av den varme luftstrømmen og holder skraperen og den skrapede overflaten kjøligere.

- A. Varm luft forhåndsvarmer overflaten.
- B. Malingen mykner i varm luft.
- A + B. Dyp gjennomtrenging av varme i hele området.
- C. Maling kan enkelt skrapes av så snart den er blitt myk og pistolen er beveget forover.
- D. Strippet overflate må avkjøles.



Merk: Ikke bruk varmpistolen på overflater som kan skades av varme, som f.eks. vinyldekket panel, vinyldekkede sidevegger eller vinyldekkede vindusrammer.

Ved fjerning av maling fra vindusrammer vil varmpistolen bløte opp kittet. Pass på at kittet ikke skrapes ut med skraperen. Kittet vil stivne når det avkjøles.

Ikke bruk varmpistolen på isolerende laminatvindusglass, som f.eks. termopan. Utvidelse av glasskanter kan bryte kantpakningen.

Ved skraping på lister må kantene på asfaltplater som stikker ut over kanten på kledningen, ikke oppvarmes for mye. For mye varme vil smelte asfalten.

VIKTIG: Fjerning av maling med en varmpistol er sikkert hvis retningslinjene overfor overholdes, men ha alltid enten en beholder med vann eller en ABC-brannslukker (passende for branner av type A, B og C) innen rekkevidde.

Rengjøring og vedlikehold

Hold innsugsåpningene i huset rene og fri for hindringer. Bruk en myk, tørr børste for å rengjøre åpningene med jevne mellomrom. Bruk bare mild såpe og en fuktig klut for å rengjøre varmpistolen. Mange husholds-rengjøringsmidler inneholder kjemikalier som kan medføre alvorlige skader på huset.

Ikke bruk petroleum, terpentiner, lakk eller malingstynner, tørre rensevæsker eller lignende produkter ved rengjøring av varmpistolen.

Det må **ALDRI** komme noe væske inn i verktøyet og ingen del av verktøyet må dyppes i væske.

Rengjøring og brukervedlikehold skal ikke utføres av barn.

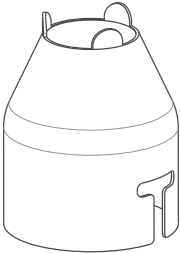
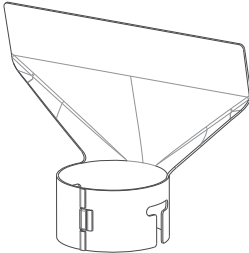
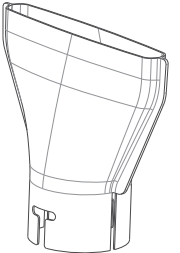

Lagring

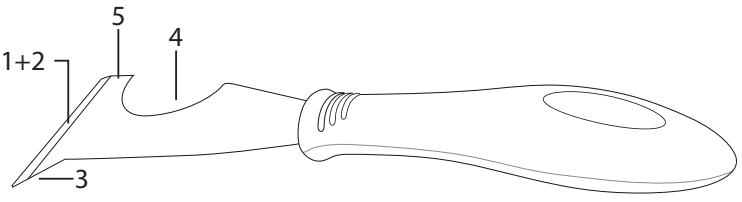
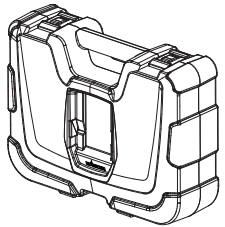
La varmpistoldysen avkjøles til romtemperatur før den lagres.

Dysen blir svart med tiden på grunn av den høye varmen. Dette er normalt og påvirker ikke ytelsen eller levetiden for enheten.

Tilbehør

Følgende tilbehør kan leveres med varmpistolen eller kan kjøpes separat ved å besøke www.wagner-group.com/service.
Se alternativt baksiden av håndboken for nærmeste servicesenter.

Navn		Beskrivelse	Navn		Beskrivelse
Konsentrasjonsdyse P/N2366222		Retter en konsentrert varmestrøm mot arbeidsflaten. Ideell for fjerning av maling i vanskelige hjørner, sprekker, lister, ribber eller karmen.	Glassbeskyttelsesdyse P/N2366224		Avviser varmen fra glass eller andre skjøre områder. Ideell for vinduskarmen, hyller, rammer og fotlister.
Bred konsentrasjonsdyse P/N2366223		Retter et langt, smalt varmemønster mot arbeidsflaten. Ideell for fjerning av maling eller lakk fra store, flate overflater, som f.eks. fotlister, dører, trapper osv. Den bør brukes i kombinasjon med en flat skrape.	Reflektormunnstykket P/N2366225		Sprer varmestrømmen jevnt rundt hele arbeidsflaten. Ideell for tining av frosne rør, loddearbeid på rør, bøyning av plast eller varmekrymping av elektrisk isolasjon.

Navn	Beskrivelse
 <p>5-i-1 skrapeverktøy P/N2366227</p>	<p>Dette verktøyet har 5 funksjoner. Bladet brukes til å (1) skrape maling og (2) spre massen. Meiselpunktet (3) brukes til å fjerne kitt/kalk fra åpne sprekker. Det bøyde området (4) brukes til å rengjøre rulledeksler. Den flate siden (5) kan brukes til å åpne malingbokser.</p>
 <p>Bæreholder P/N2366226</p>	<p>Varmepistolens bæreholder med AngleLoc er spesielt utformet for å plassere varmpistolens i stående posisjon for arbeid på ujevnt underlag.</p>

VIKTIG: Bruk alltid hansker ved håndtering av varmpistolens.

For å feste et annet element på varmpistolens:

1. Plasser varmpistolens loddrett på et plant underlag og vent til spissen er avkjølt.
2. Sett elementet på spissen av varmpistolens og skyv fast på plass for hånd.

For å fjerne et annet element fra varmpistolens:

1. Plasser varmpistolens loddrett på et plant underlag og vent til spissen er avkjølt.
2. Trekk elementet av fra spissen.

Produktregistrering

Registrer produktet ditt på nettet på www.wagner-group.com/3plus1 for å kvalifisere deg til ytterligere 1 års garanti.

3+1 års garanti

Garantien løper i tre år, og starter fra salgsdatoen (kvitteringen). Garantien forlenges med ytterligere 12 måneder hvis en enhet registreres på nettet innen 4 uker etter kjøpet, på www.wagner-group.com/3plus1. Registrering er bare mulig når kjøperen er enig i dataene som lagres og som er lagt inn ved registrering. Garantien dekker og er begrenset til gratis reparasjon av feil som beviselig skyldes bruk av feil materialer ved produksjonen, eller feil ved monteringen, eller gratis erstatning av defekte deler. Garantien dekker ikke feil bruk eller utlevering eller utførelse av reparasjonsarbeid som ikke er angitt i våre bruksanvisninger. Slitedeler er også unntatt fra garantien. Garantien gjelder ikke for ervervsmessig bruk. Vi forbeholder oss uttrykkelig rett til å oppfylle garantien. Garantien opphører hvis verktøyet åpnes av andre personer enn Wagners servicepersonale. Transportskader, vedlikeholdsarbeid og tap og skader på grunn av feil vedlikeholdsarbeider er ikke dekket av garantien. Sammen med ethvert garantikrav må det følge kjøpskvittering for verktøyet ved innsending av originalkvittering. Der det er lovmessig mulig, unntar vi alt ansvar for personskader, skader eller følgetap, spesielt dersom verktøyet er brukt for andre formål enn det som er angitt i bruksanvisningene, utlevering eller reparasjon av annet enn det som står i bruksanvisningene eller hvis reparasjoner er utført av personer som ikke er kvalifisert. Vi forbeholder oss retten til utføre alle reparasjoner som går utover det som er angitt i bruksanvisningene våre. Ved garanti eller reparasjon, ta kontakt med salgsstedet. Denne garantien påvirker ikke dine lovbestemte rettigheter.

INFORMASJON OM KASSASJON AV ELEKTRISK OG ELEKTRONISK UTSTYR (WEEE)



Apparatet, samt tilbehør og emballasje skal returneres til en miljøvennlig gjenvinning. Ikke kast apparatet i husholdningsavfallet ved kassasjon. Vær miljøvennlig og lever apparatet til et lokalt gjenvinningspunkt eller ta kontakt med en faghandel.

EU samsvarserklæring

Vi erklærer med dette som eneste ansvarlige at dette produktet samsvarer med følgende aktuelle bestemmelser: 2014/35/EU, 2014/30/EU, 2011/65/EU, 2012/19/EU

Følgende harmoniserte normer er benyttet:
EN 60335-1, EN 60335-2-45, EN 55014-1, EN 55014-2,
EN 61000-3-2, EN 61000-3-3, EN 62233

Den kan etterbestilles med ordrenummer **2389336** ved behov.

DE J. WAGNER GMBH
Otto-Lilienthal-Str. 18
D-88677 Markdorf
T +49 0180 - 55 92 46 37
F +49 075 44-5 05 11 69

SK E-CORECO SK S.R.O.
Kráľovská ulica 8/7133
SK-927 01 Šaľa
T +42 1948882850
F +42 1313700077

CZ E-CORECO S.R.O.
Na Roudné 102
CZ-301 00 Plzeň
T +42 734 792 823
F +42 227 077 364

AU WAGNER SPRAYTECH AUSTRALIA PTY. LTD.,
14-16 Kevlar Close
AUS-Braeside, VIC 3195
T +61 3 95 87 - 20 00
F +61 3 95 80 - 91 20

FR WAGNER FRANCE S.A.R.L.
12 Avenue des Tropiques
Z.A. de Courtaboeuf
F-91978 Les Ulis Cedex
T +33 0825 011 111
F +33 (0) 1 69 81 72 57

GB WAGNER SPRAYTECH (UK) LTD
Opus Park
Moorfield Road
Guildford, Surrey, GU1 1SZ
T +44 (0) 1483 454666
F +44 (0) 1483 454548

HU HONDIMPEX KFT.
Kossuth L. u. 48-50
H-8060 Mór
T +36 (-22) - 407 321
F +36 (- 22) - 407 852

ES MAKIMPORT HERRAMIENTAS, S.L.
C/ Méjico nº 6
Pol. El Descubrimiento
E-28806 Alcalá de Henares
(Madrid)
T 902 199 021 / 91 879 72 00
F 91 883 19 59

DK ORKLA HOUSE CARE DANMARK A/S
Stationsvej 13
3550 Slangerup
DK-Danmark
T +45 47 33 74 00
F +45 47 33 74 01

NO ORKLA HOUSE CARE NORGE AS
Nedre Skøyen vei 26,
PO Box 423, Skøyen
N-0213 Oslo
T +47 22 54 40 19

PL PUT WAGNER SERVICE
ul. E. Imieli 27
PL-41-605 Swietochlowice
T +48 32 - 346 37 10
F +48 32 - 346 37 13

SE ORKLA HOUSE CARE AB
Box 133
564 23 Bankeryd
SV-Sweden
T +46(0)36 37 63 00

RO ROMIB S.R.L.
str. Poligonului nr. 5 - 7
ROM-100070 Ploiesti ,judet Prahova
T +40-344801240
F +40-344801239

CH J. WAGNER AG
Industriestraße 22
CH-9450 Altstätten
T +41 71 - 7 57 22 11
F +41 71 - 7 57 23 23

Irrtümer und Änderungen vorbehalten.
Not responsible for errors and changes.
Sous réserves d'erreurs et de modifications.
Fouten en wijzigingen voorbehouden.

Material No. 2369360 A
10/2017
© Copyright by J.Wagner GmbH