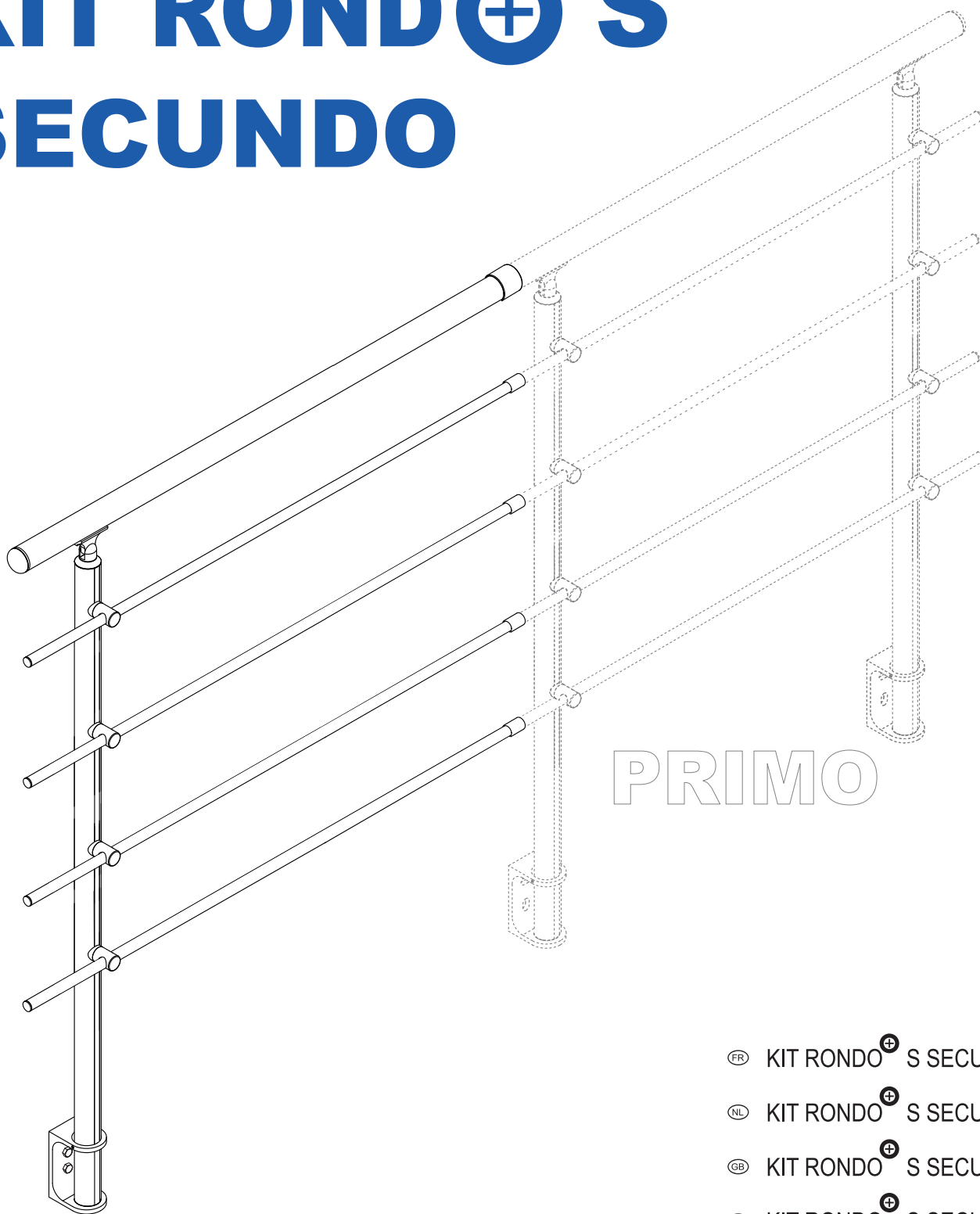
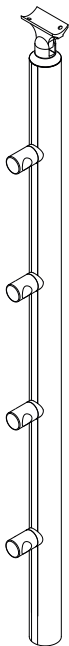

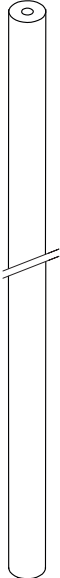
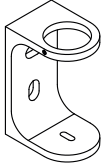

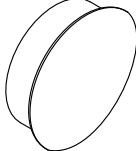
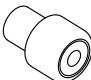







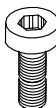
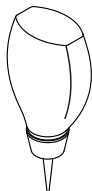


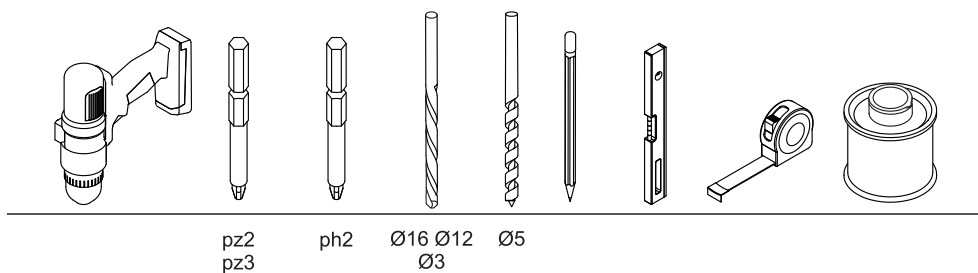
KIT RONDO ⊕ S SECUNDO



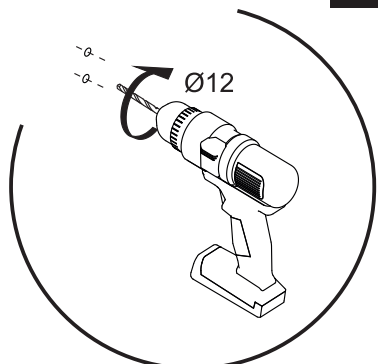
PRIMO

- Ⓡ KIT RONDO ⊕ S SECUNDO
- Ⓝ KIT RONDO ⊕ S SECUNDO
- ⓖ KIT RONDO ⊕ S SECUNDO
- Ⓧ KIT RONDO ⊕ S SECUNDO
- Ⓢ KIT RONDO ⊕ S SECUNDO
- Ⓡ KIT RONDO ⊕ S SECUNDO

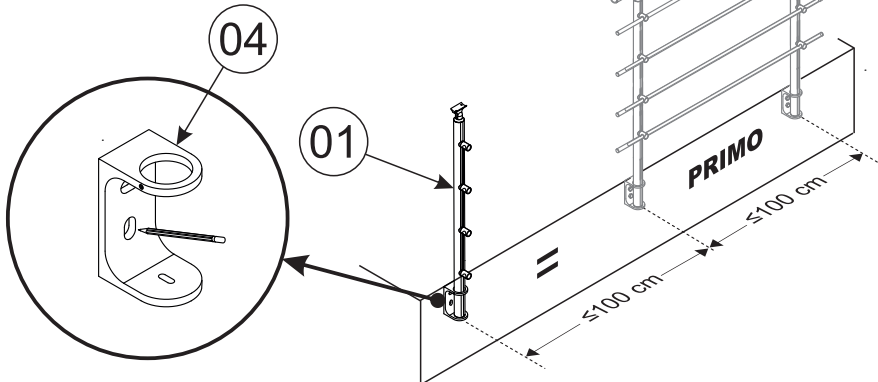
| | | | | | |
|--|---|--|--|---|--|
| <p>01 Ø40x1100 x1</p>  | <p>02 Ø40x1000 x1</p>  | <p>03 Ø16x1000 x4</p>  | <p>04 55x76x110 x1</p>  | <p>05 Ø16x12 x4</p>  | <p>06 Ø40x13 x1</p>  |
| | | | <p>07 Ø24x55 x2</p>  <p>Min 20...Max 75</p> | <p>08 Ø5,8x100 x4</p>  | <p>09 Ø4,2x13 x2</p>  |
| <p>10 8x125 Ø22x2 x2</p>  | <p>11 Ø34,6x80 x1</p>  | <p>12 Ø19x16,5x30 x4</p>  | <p>13 Ø12x60 x2</p>  | <p>14 Ø45xØ40,5x25 x1</p>  | <p>15 M6x25 x1</p>  |
| <p>16 Ø40x99x23 x1</p>  | | | | | |



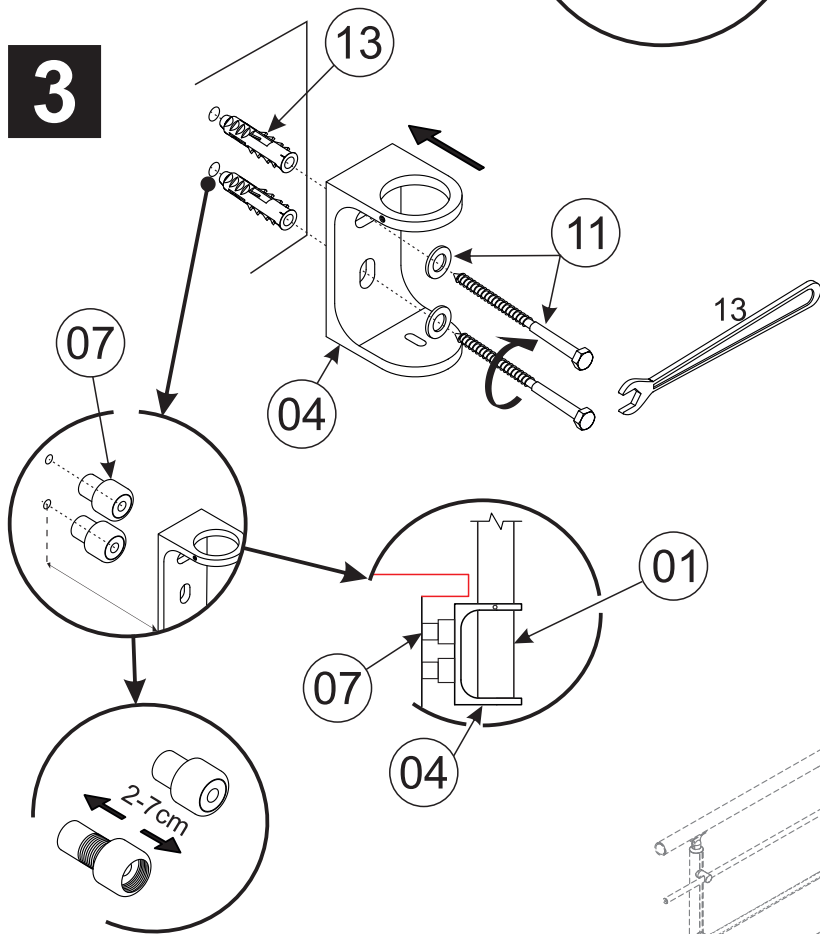
2



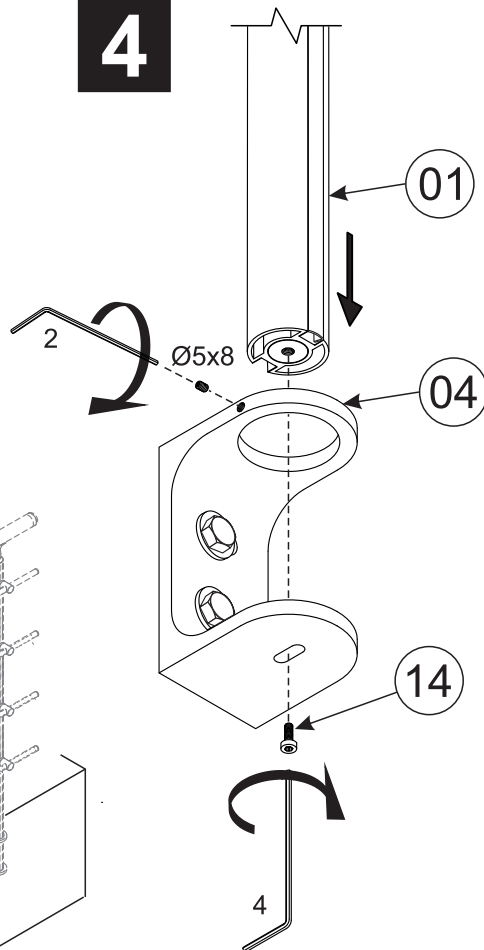
1



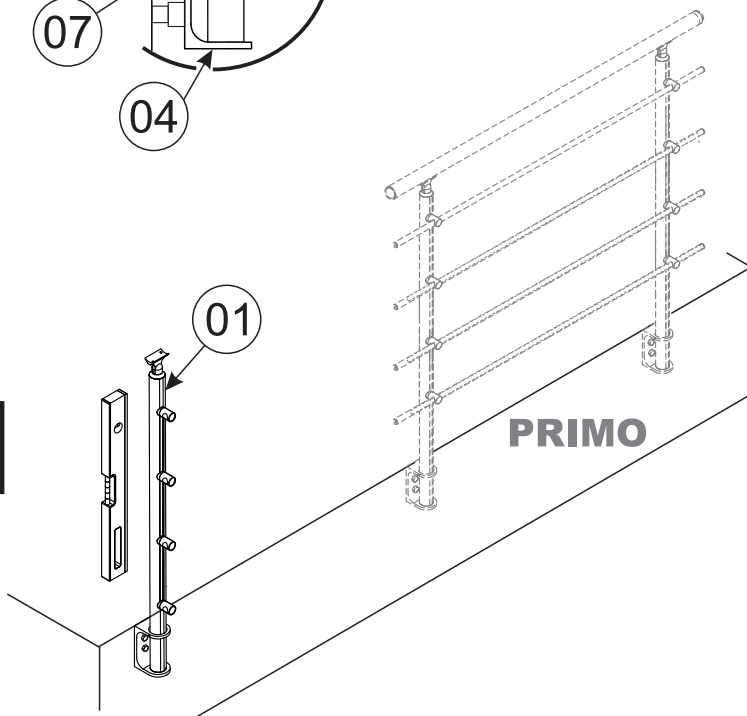
3



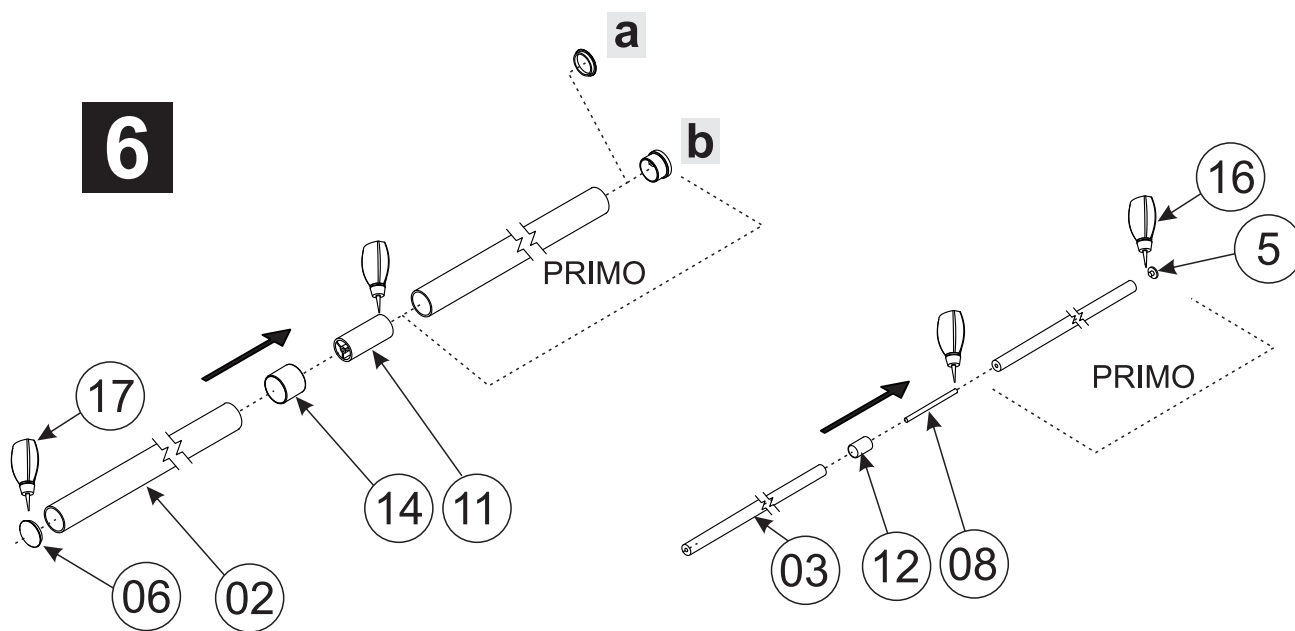
4



5



6



7

