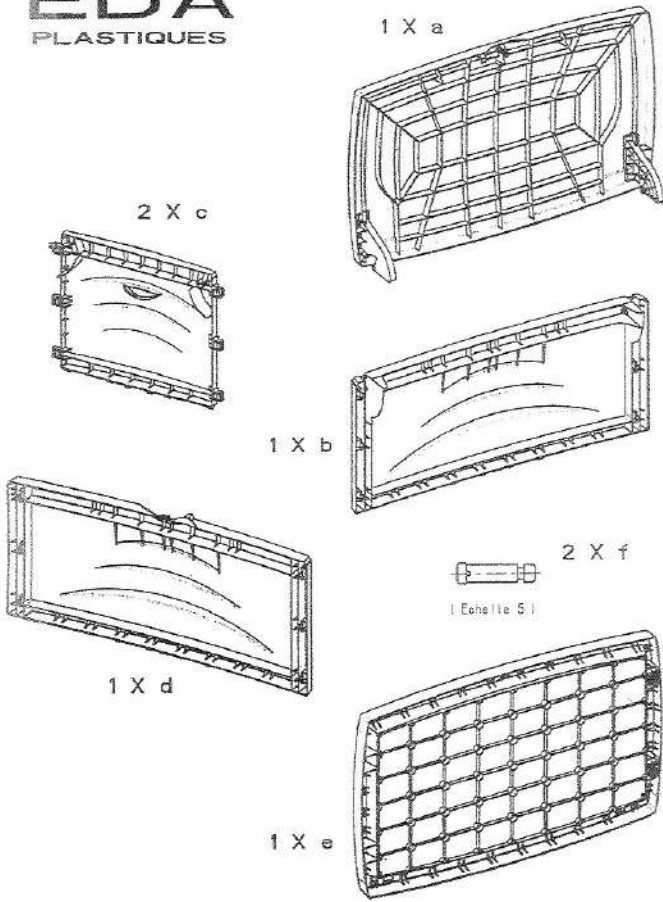
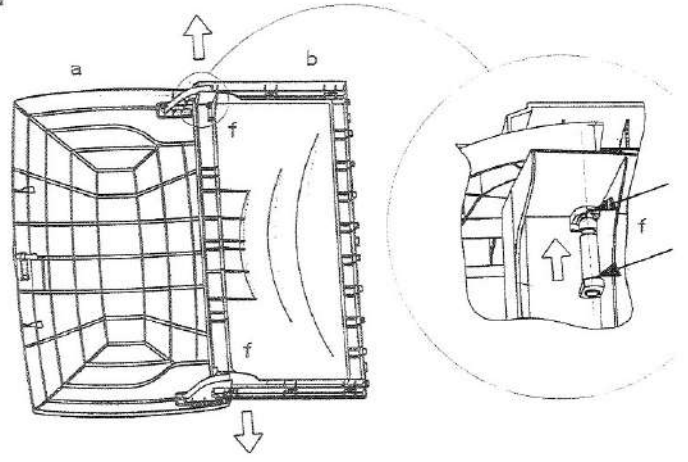


EDA
PLASTIQUES



$(1 \times a) + (1 \times b) + (2 \times c) + (1 \times d) + (1 \times e) + (2 \times f) = 8$

1



2

