

(A)



(C1)



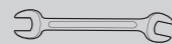
(C2)



(C3)

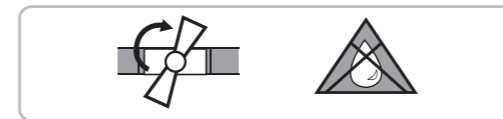
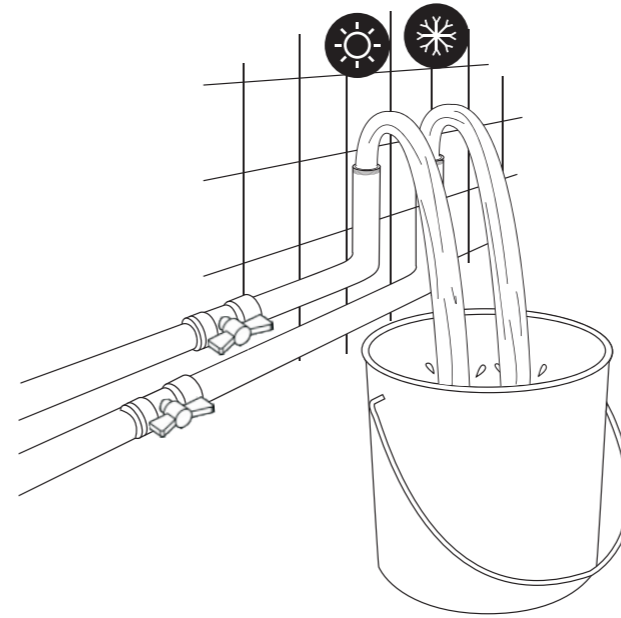


(C4)

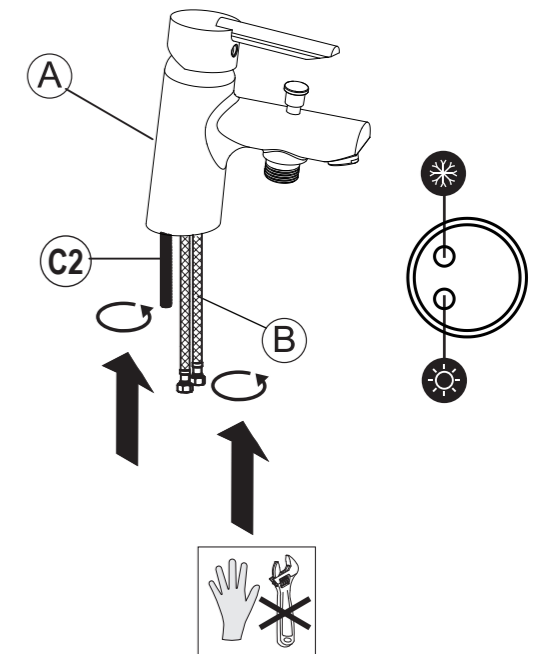


Version 2017/05/23

1



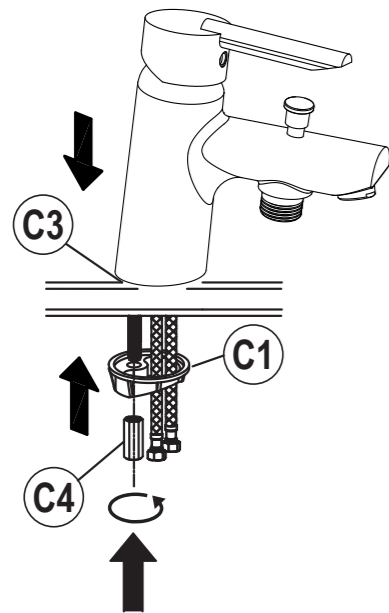
2



(C2)

(B)

3



(C1)

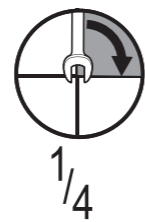
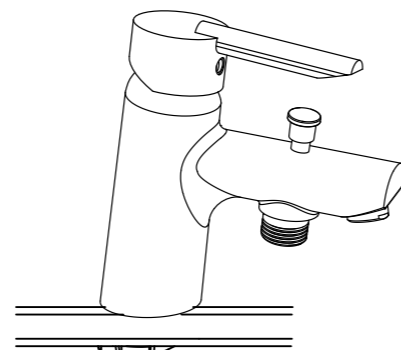


(C3)

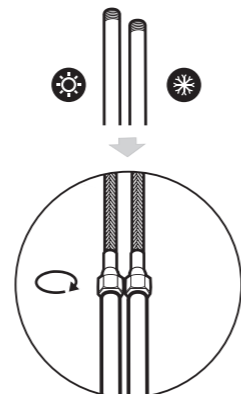


(C4)

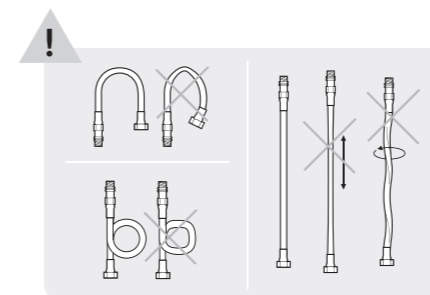
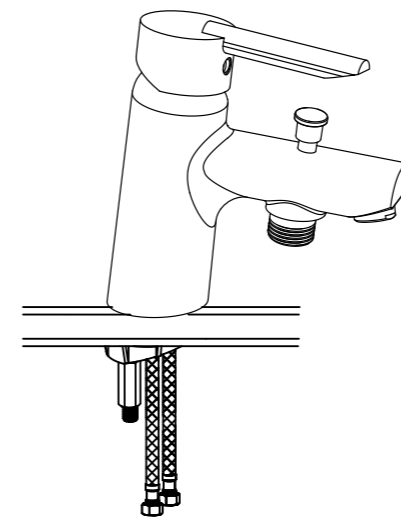
4



1/4



5



6

