

AEG

BMT18

Original instructions

Übersetzung der originalanleitung

Traduction de la notice originale

Traduzione delle istruzioni originali

Traducción del manual original

Tradução do manual original

Vertaling van de originele instructies

Oversættelse af den originale brugsanvisning

Oversættelse av de originale instruksjonene

Översättning av originalinstruktionerna

Alkuperäisten ohjeiden käännös

Μετάφραση των πρωτότυπων οδηγιών

Orijinal talimatların çevirileri

Překlad původního návodu k obsluze

Preklad originálu pokynov

Tłumaczenie oryginalnej instrukcji

Az eredeti útmutató fordítása

Prevod originalnih navodil

Prijevod originalnih uputa

Originālo instrukciju tulkojums

Originalių instrukcijų vertimas

Originaaljuhendi tõlge

Перевод оригинальных инструкций

Превод на оригиналните инструкции

Traducerea instrucțiunilor originale

Преводи на оригиналните упатства

Переклад оригинальних інструкцій

ترجمة تعليمات النسخة الأصلية



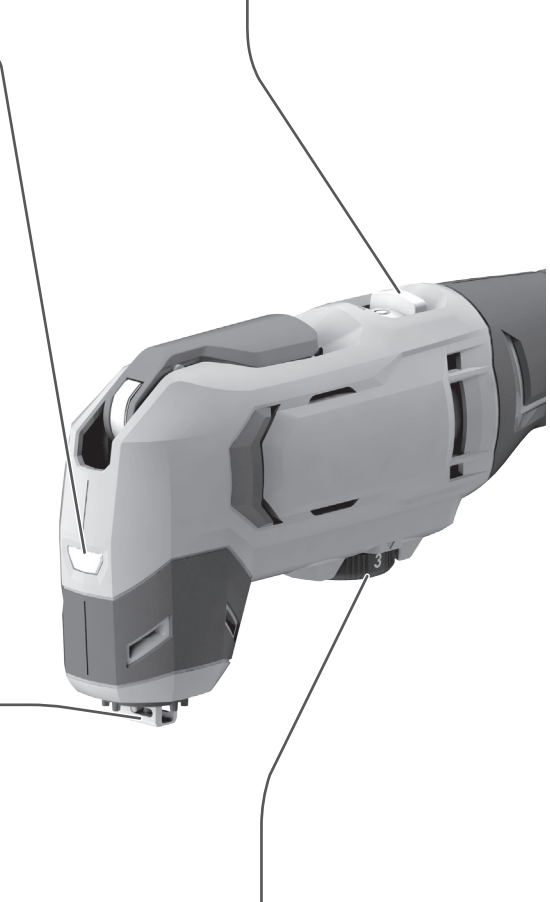
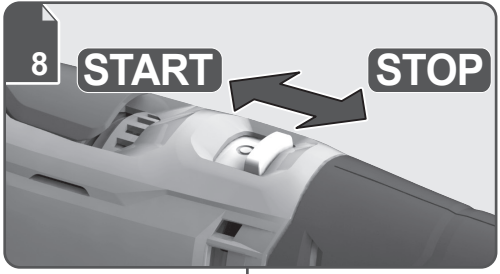
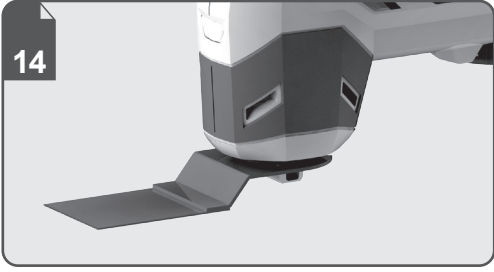
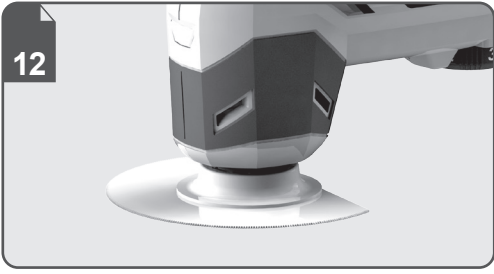
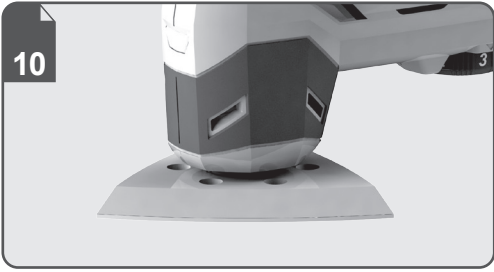
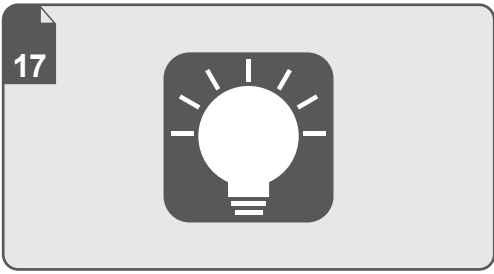
ENGLISH	Picture section with operating description and functional description	Page	4
DEUTSCH	Bildteil mit Anwendungs- und Funktionsbeschreibungen	Seite	4
FRANÇAIS	Partie imagée avec description des applications et des fonctions	Page	4
ITALIANO	Sezione illustrata con descrizione dell'applicazione e delle funzioni	Pagina	4
ESPAÑOL	Sección de ilustraciones con descripción de aplicación y descripción funcional	Página	4
PORTUGUÊS	Parte com imagens explicativas contendo descrição operacional e funcional	Página	4
NEDERLANDS	Beeldgedeelte met toepassings- en functiebeschrijvingen	Pagina	4
DANSK	Billeddel med anvendelses- og funktionsbeskrivelser	Side	4
NORSK	Billedel med bruks- og funksjonsbeskrivelse	Side	4
SVENSKA	Bilddel med användnings- och funktionsbeskrivning	Sidan	4
SUOMI	Kuvasivut käyttö- ja toimintakuvausset	Sivu	4
ΕΛΛΗΝΙΚΑ	Τμήμα εικόνων με περιγραφές χρήσης και λειτουργίας	Σελίδα	4
TÜRKÇE	Resim bölümü Uygulama ve fonksiyon açıklamaları ile birlikte	Sayfa	4
ČEŠTINA	Obrazová část s popisem aplikací a funkcí	Stránka	4
SLOVENČINA	Obrazová část s popisom aplikácií a funkcií	Stránka	4
POLSKI	Część rysunkowa z opisami zastosowania i działania	Strona	4
MAGYAR	Képes részalkalmazási- és működési leírásokkal	Oldal	4
SLOVENŠČINA	Del slike opisom uporabe in funkcij	Stran	4
HRVATSKI	Dio sa slikama opisima primjene i funkcija	Stranica	4
LATVISKI	Attēla daļa ar lietošanas un funkciju aprakstiem	Lappuse	4
LIETUVIŠKAI	Paveikslėlio dalis su vartojimo instrukcija ir funkcijų aprašym	Puslapis	4
EESTI	Pildiosa kasutusjuhendi ja funktsioonide kirjeldusega	Lehekülg	4
РУССКИЙ	Раздел иллюстраций с описанием эксплуатации и функций	Страница	4
БЪЛГАРСКИ	Част със снимки с описания за приложение и функции	Страница	4
ROMÂNĂ	Secvența de imagine cu descrierea utilizării și a funcțiilor	Pagina	4
МАКЕДОНСКИ	Дел со слики со описи за употреба и функционирање	Страница	4
УКРАЇНСЬКА	Частина з зображеннями з описом робіт та функцій	Сторінка	4
عربي	قسم الصور يوجد به الوصف التشغيلي والوظيفي	الصفحة	4

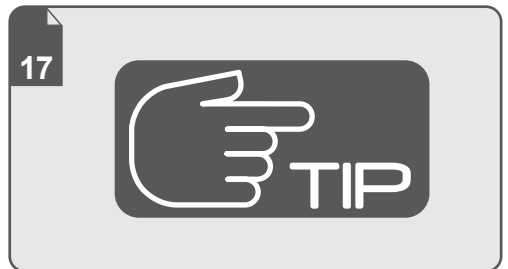
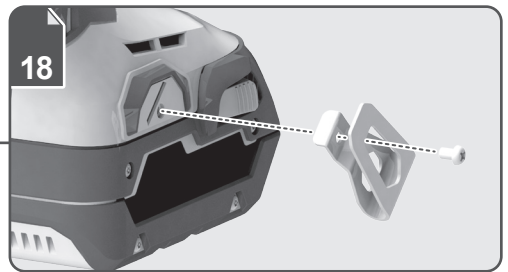
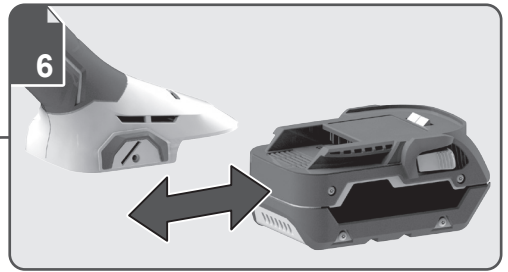
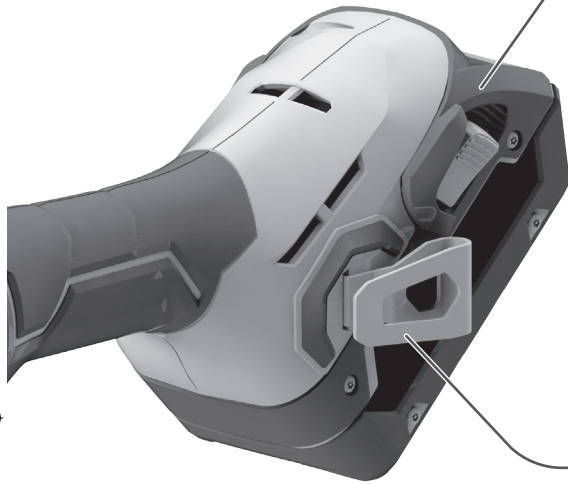


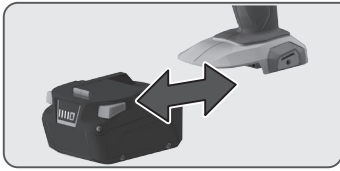


Text section with technical data, important safety and working hints, and description of symbols	Page	19
Textteil mit Technischen Daten, wichtigen Sicherheits- und Arbeitshinweisen und Erklärung der Symbole.	Seite	21
Partie textuelle avec les données techniques, les consignes importantes de sécurité et de travail ainsi que l'explication des pictogrammes.	Page	23
Sezione testo con dati tecnici, importanti informazioni sulla sicurezza e sull'utilizzo, spiegazione dei simboli.	Pagina	25
Sección de texto con datos técnicos, indicaciones importantes de seguridad y trabajo y explicación de los símbolos.	Página	27
Parte com texto explicativo contendo Especificações técnicas, Avisos de segurança e de operação e a Descrição dos símbolos.	Página	29
Tekstgedeelte met technische gegevens, belangrijke veiligheids- en arbeidsinstructies en verklaring van de symbolen.	Pagina	31
Tekstdel med tekniske data, vigtige sikkerheds- og arbejdsanvisninger og symbolforklaring.	Side	33
Tekstdel med tekniske data, viktige sikkerhets- og arbeidsinstruksjoner og forklaring av symbolene.	Side	35
Textdel med tekniska informationer, viktiga säkerhets- och användningsinstruktioner samt symbolförklaringar.	Sidan	37
Tekstisivut: tekniset tiedot, tärkeät turvallisuus- ja työskentelyohjeet sekä merkkien selitykset.	Sivu	39
Τμήμα κειμένου με τεχνικά χαρακτηριστικά, σημαντικές υποδείξεις ασφαλείας και εργασίας και εξήγηση των συμβόλων.	Σελίδα	41
Teknik bilgileri, önemli güvenlik ve çalışma açıklamalarını ve de sembollerin açıklamalarını içeren metin bölümü.	Sayfa	43
Textová část s technickými daty, důležitými bezpečnostními a pracovními pokyny a s vysvětlivkami symbolů	Stránka	45
Textová část s technickými datami, důležitými bezpečnostními a pracovními pokyny a s vysvětlivkami symbolov	Stránka	47
Część opisowa z danymi technicznymi, ważnymi wskazówkami dotyczącymi bezpieczeństwa i pracy oraz objaśnieniami symboli.	Strona	49
Szöveges rész műszaki adatokkal, fontos biztonsági- és munkavégzési útmutatásokkal, valamint a szimbólumok magyarázata.	Oldal	51
Del besedila s tehničnimi podatki, pomembnimi varnostnimi opozorili in delovnimi navodili in pojasnili simbolov.	Stran	53
Dio štiva sa tehničkim podacima, važnim sigurnosnim i radnim uputama i objašnjenjem simbola.	Stranica	55
Teksta daļa ar tehnikajiem parametriem, svarīgiem drošības un darbības norādījumiem, simbolu atšifrējumiem.	Lappuse	57
Teksto dalis su techniniais duomenimis, svarbiomis saugumo ir darbo instrukcijomis bei simbolių paaiškinimais.	Puslapis	59
Tekstiosa tehniliste näitajate, oluliste ohutus- ja tööjuhenditega ning sümbolite kirjeldustega.	Lehekülg	61
Текстовый раздел, включающий технические данные, важные рекомендации по безопасности и эксплуатации, а также описание используемых символов.	Страница	63
Част с текст с технически данни, важни указания за безопасност и работа и разяснение на символите.	Страница	66
Porțiune de text cu date tehnice, indicații importante privind siguranța și modul de lucru și descrierea simbolurilor.	Pagina	69
Текстуален дел со Технички карактеристики, важни безбедносни и работни упатства и објаснување на символите.	Страница	71
Текстова частина з техничними даними, важливими вказівками з техніки безпеки та експлуатації і поясненням символів.	Сторінка	73
القسم النصي المزود بالبيانات الفنية والنصائح الهامة للسلامة والعمل ووصف الرموز	الصفحة	76



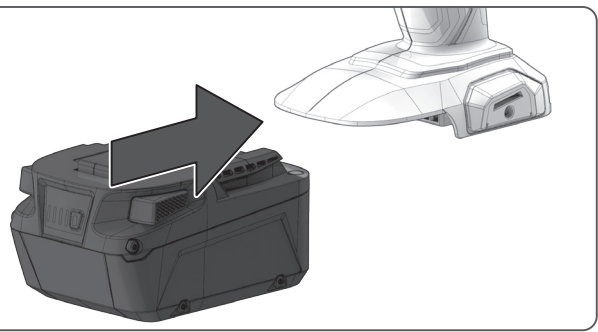




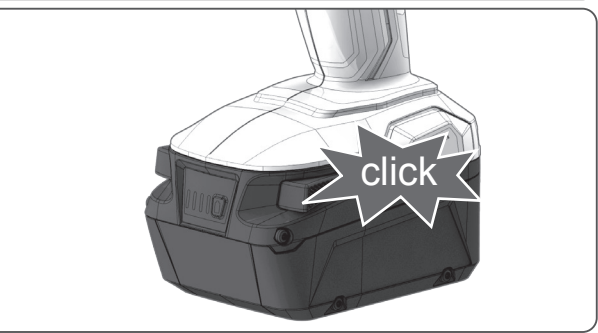


Remove the battery pack before starting any work on the product.
Entfernen Sie den Akku, bevor Sie mit dem Gerät arbeiten.
Retirez le bloc-batterie avant d'effectuer la moindre intervention sur le produit.
Rimuovere il pacco batteria prima di iniziare a lavorare sul prodotto.
Retire la batería antes de iniciar cualquier trabajo en el producto.
Retire a bateria antes de iniciar quaisquer tarefas no produto.
Verwijder de accu alvorens werkzaamheden aan de machine uit te voeren.
Fjern batteripakken inden start af arbejde på produktet.
Fjern batteripakken før du starter noe arbeid på produktet.
Ta bort batteripaketet innan arbete på produkten påbörjas.
Irrota akkupakkaus ennen kuin teet tuoteeseen mitään toimenpiteitä.
Αφαιρέστε τη μπαταρία πριν ξεκινήσετε οποιαδήποτε εργασία στο μηχάνημα.
Ürün üzerinde herhangi bir işleme başlamadan önce pil paketini çıkarın.
Před zahájením práce na produktu vyjměte baterii.
Pred akoukoľvek činnosťou na výrobku vyberte z neho súpravu batérii.
Przed rozpoczęciem prac przy produkcji należy wyjąć akumulator.
A termékem végzett bármilyen munka elkezdése előtt vegye ki az akkut.
Pred začetkom izvajanja kakršnihkoli posegov na izdelku odstranite baterijski vložek.
Baterijski sklop uklonite prije početka bilo kakvog rada na proizvodu.
Neņemiet akumulatoru bloku, pirms uzsākt jebkādas apkopes darbus.
Išimkite akumulatorių, prieš vykdydami bet kokius įrenginio techninės priežiūros, valymo ar remonto darbus.
Eemaldage aku enne mistahes tööde teostamist toote juures.
До начала любых работ над изделием извлеките аккумуляторный блок.
Извадете акумулаторната батерия, преди да започнете каквато и да е дейност по продукта.
Înainte de a începe orice operație asupra produsului, scoateți acumulatorul.
Отстранете ги батерите пред да почнете да вршите некаква работа на самото производство.
Перед початком будь-яких операций с пристроєм вийміть акумуляторну батарею .
يجب إزالة حزمة البطارية قبل البدء في أي أعمال على المنتج.

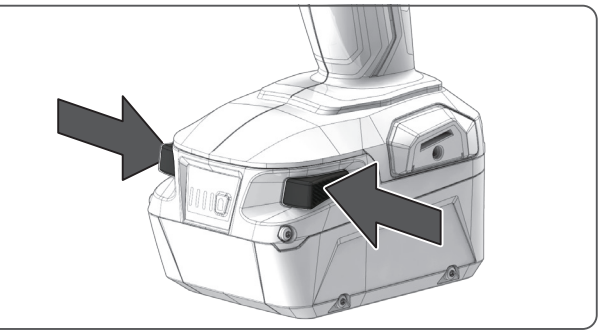
1



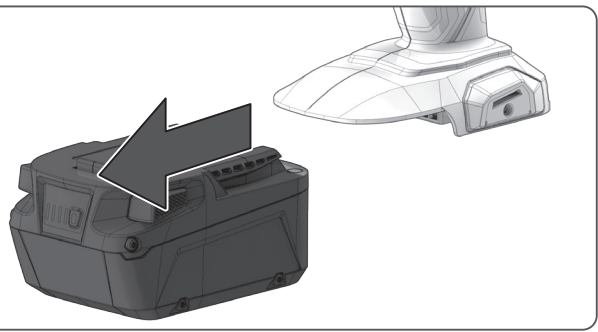
2

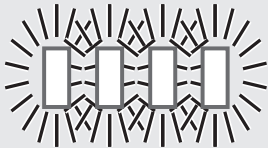
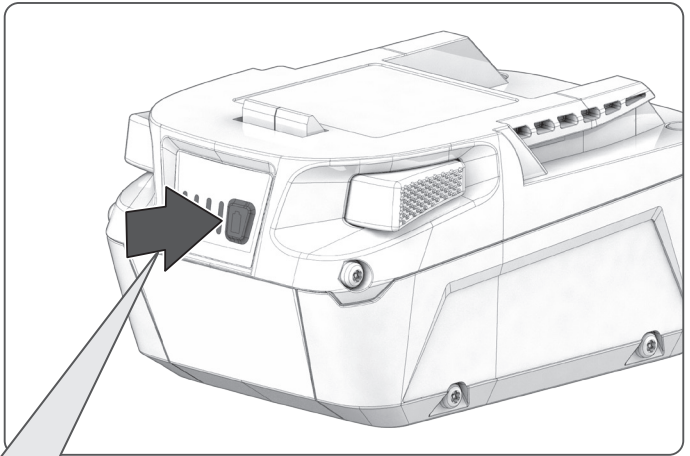


1

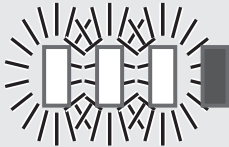


2

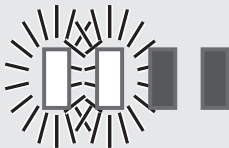




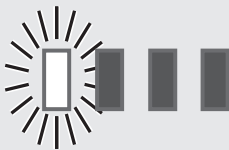
75-100 %



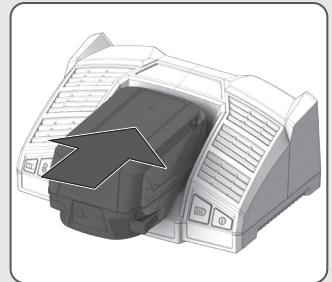
50-75 %

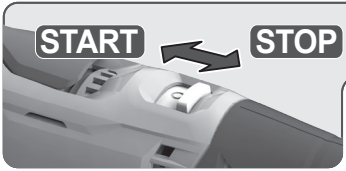


25-50 %

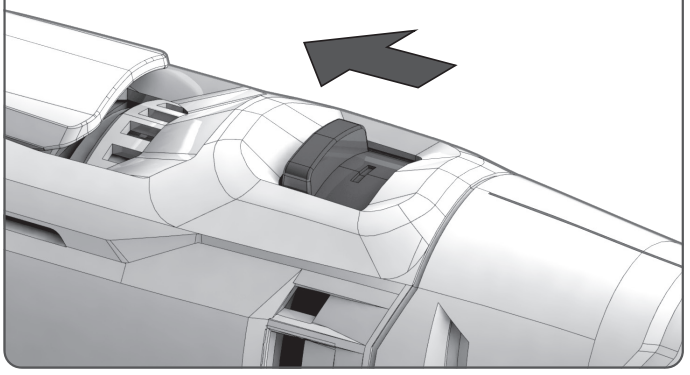


0-25 %

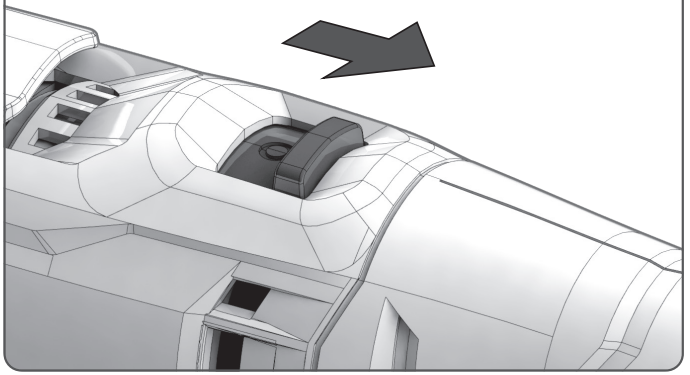


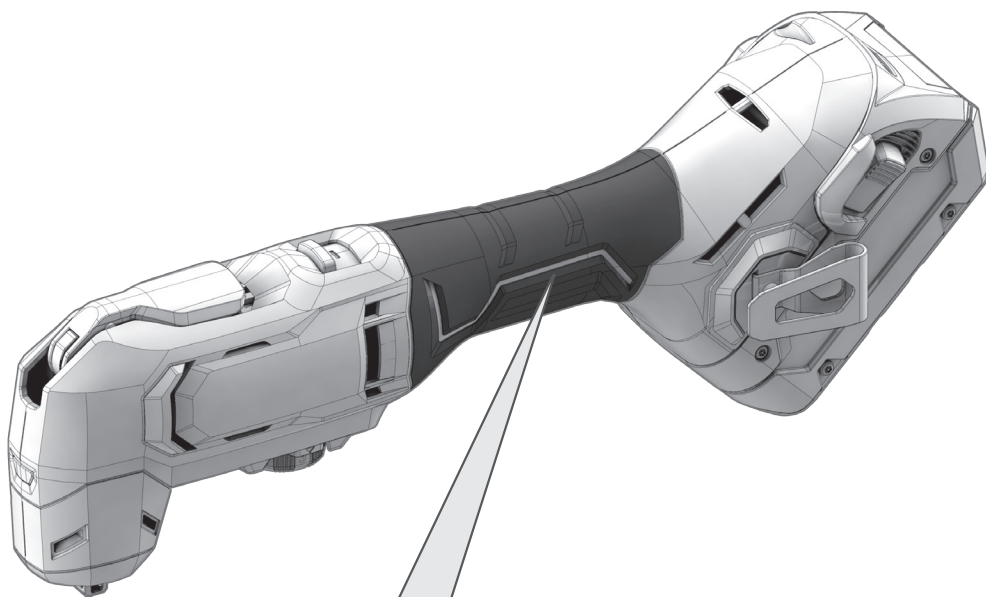


START



STOP





Handle (insulated gripping surface)

Handgriff (isolierte Grifffläche)

Poignée (surface de prise isolée)

Impugnatura (superficie di presa isolata)

Empuñadura (superficie de agarre con aislamiento)

Manípulo (superficie de pega isolada)

Handgreep (geïsoleerd)

Håndtag (isolerede gribefflader)

Håndtak (isoleret gripeflate)

Handtag (isolerad greppyta)

Kahva (eristetty tarttumapinta)

Χειρολαβή (μονωμένη επιφάνεια λαβής)

El kulpu (izolasyonlu tutma yüzeyi)

Rukojeť (izolovaná uchopovací plocha)

Rukovät' (izolovaná úchopná plocha)

Uchwyt (z izolowaną powierzchnią)

Fogantyú (szigetelt fogófelület)

Ročaj (izolirana prijemalna površina)

Rukohvat (izolirana površina za držanje)

Rokturis (izolēta satveršanas virsma)

Rankena (izoliuotas rankenos paviršius)

Käepide (isoleeritud pideme piirkond)

Рукоятка (изолированная поверхность ручки)

Ръкохватка (изолирана повърхност за хващане)

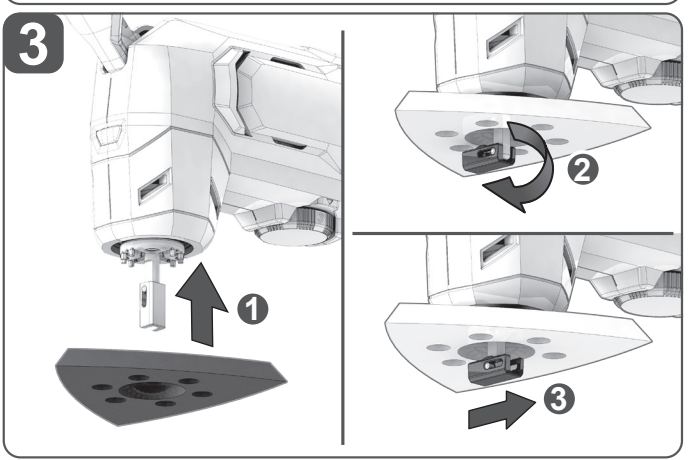
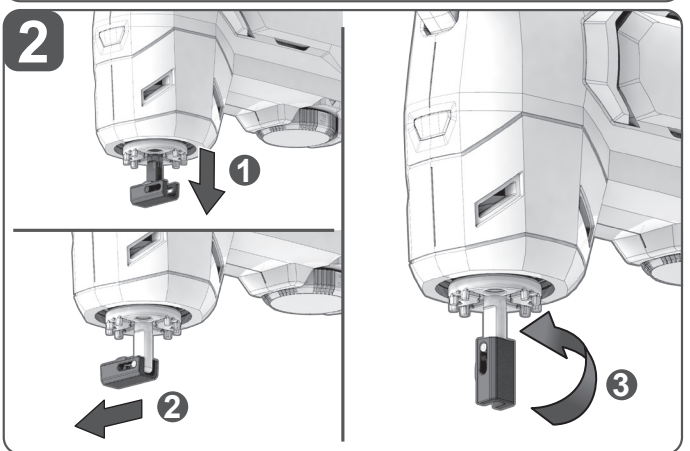
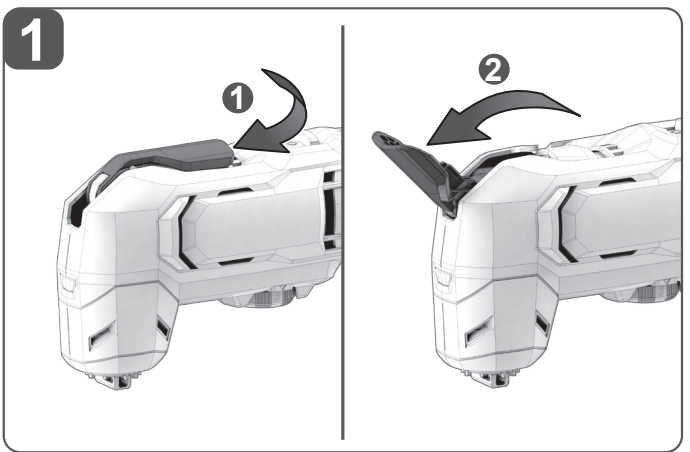
Måner (suprafață de prindere izolată)

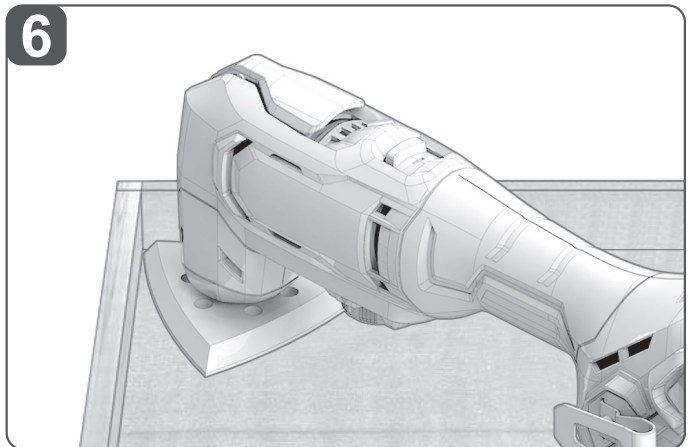
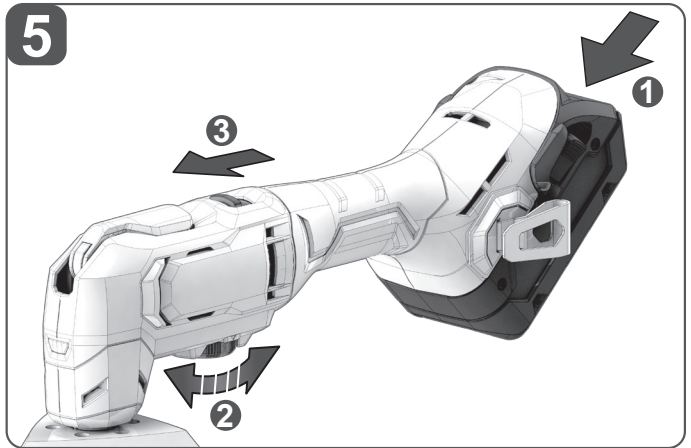
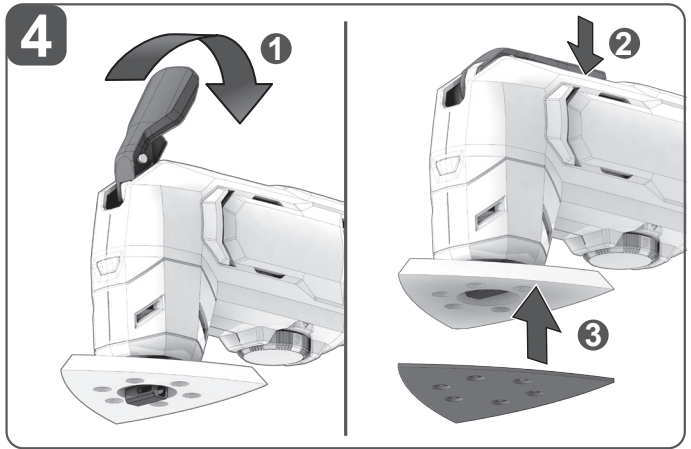
Дршка (изолирана површина)

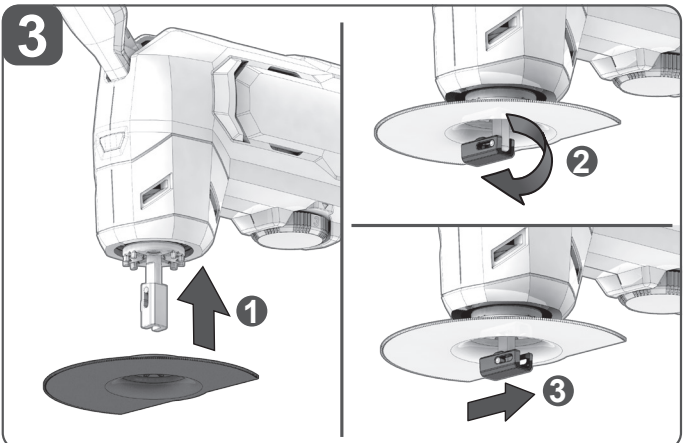
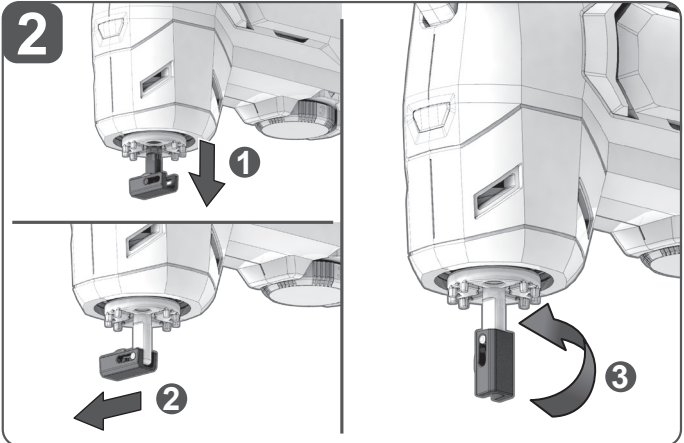
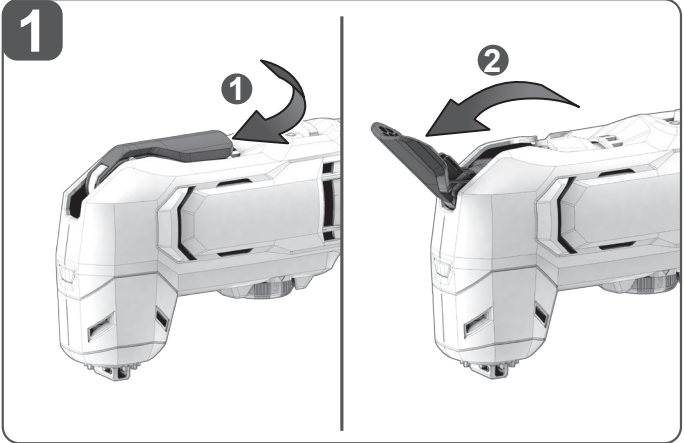
Ручка (изолирована поверхность ручки)

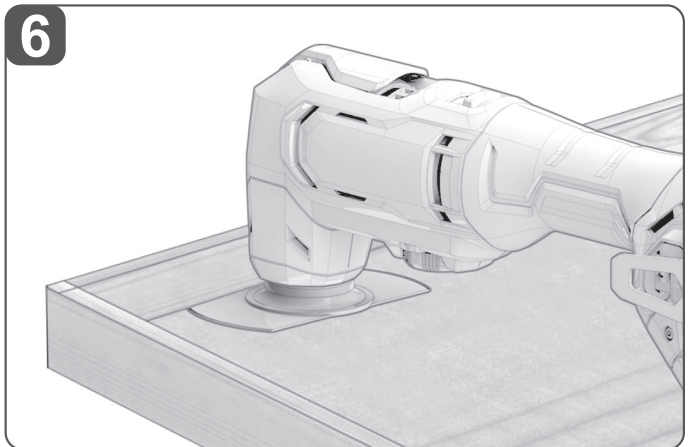
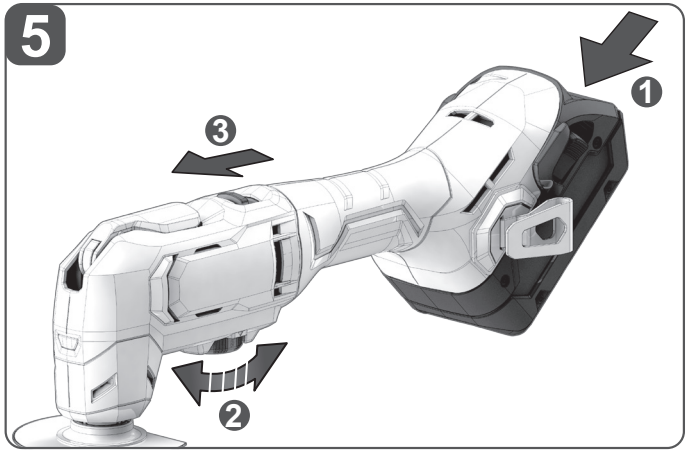
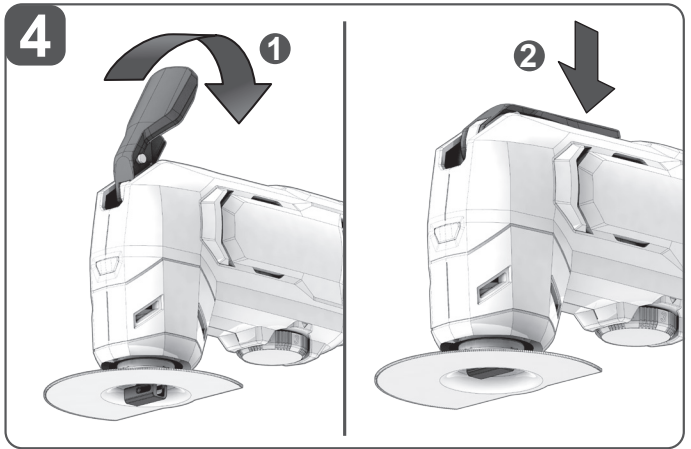
المقبض (مساحة المقبض معزولة)

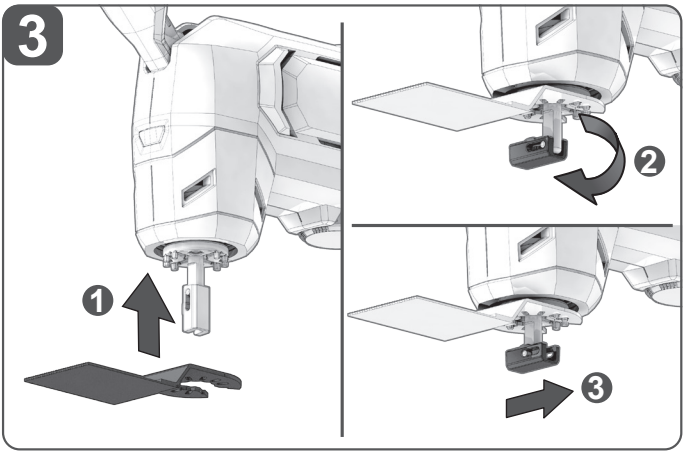
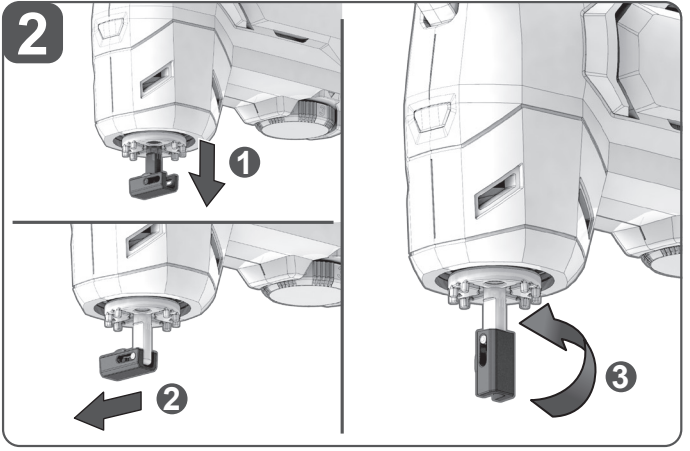
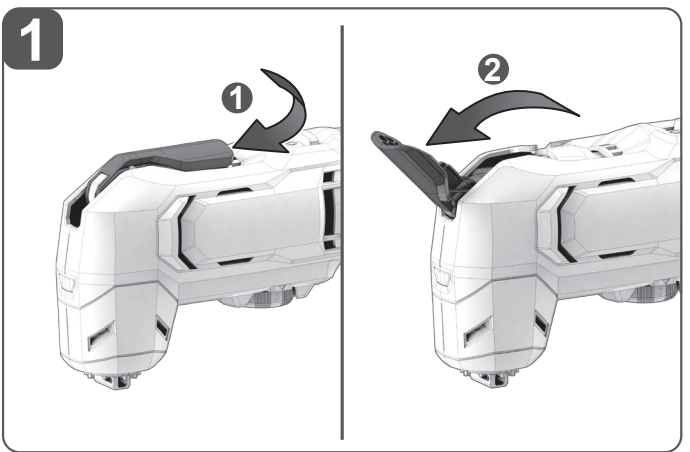


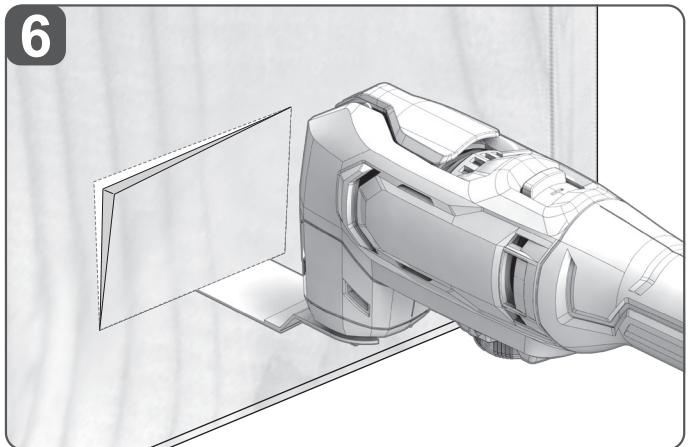
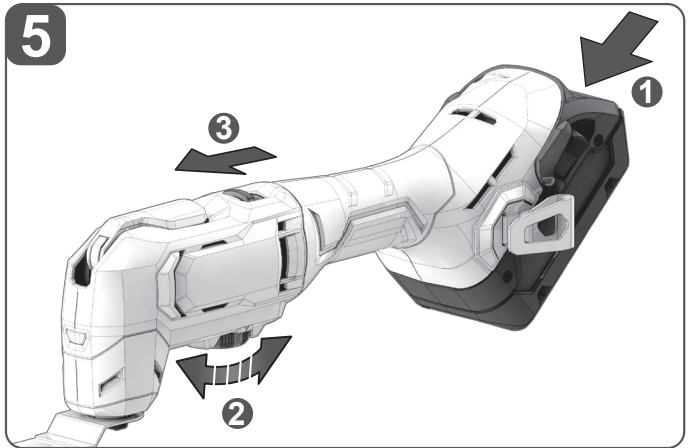
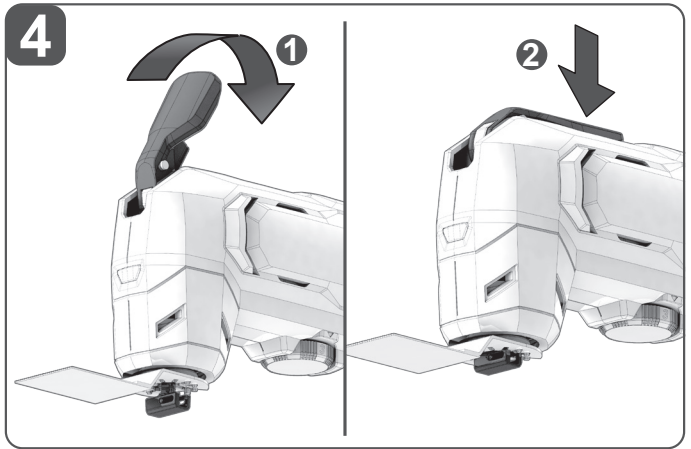


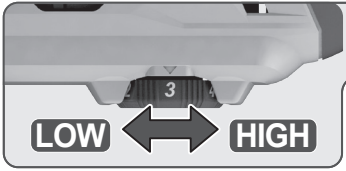




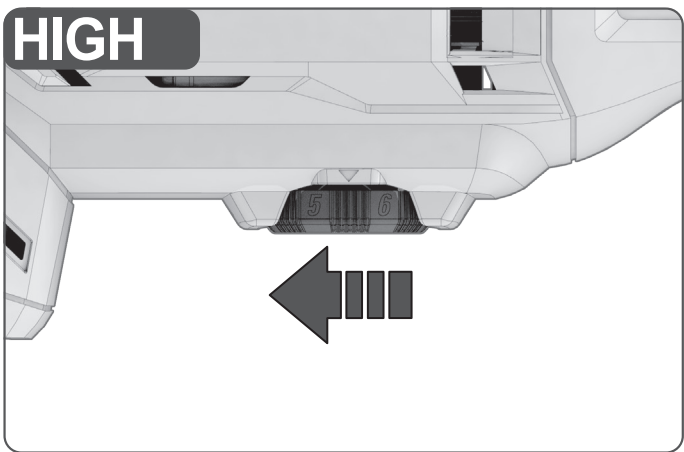




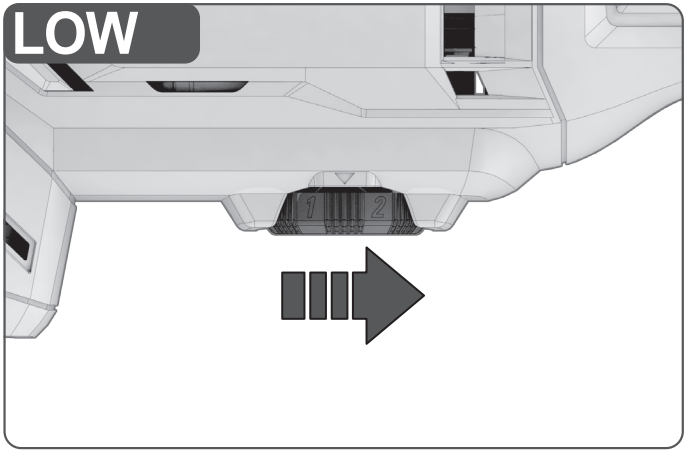


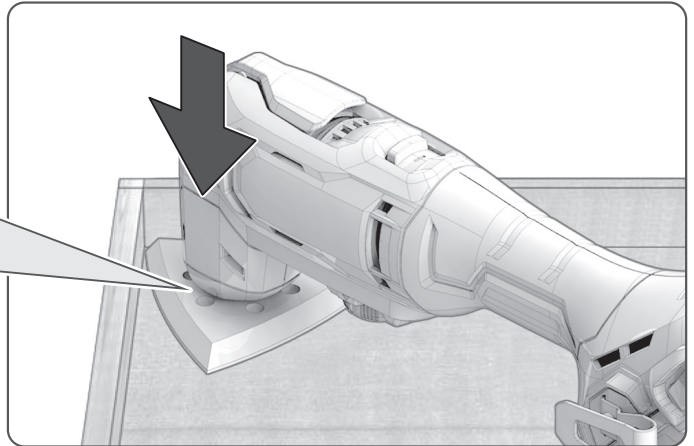
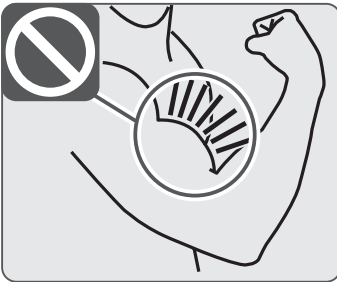
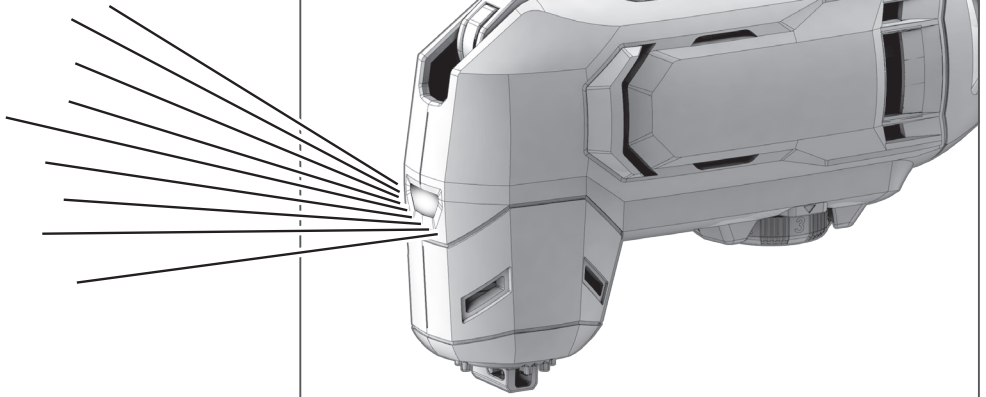


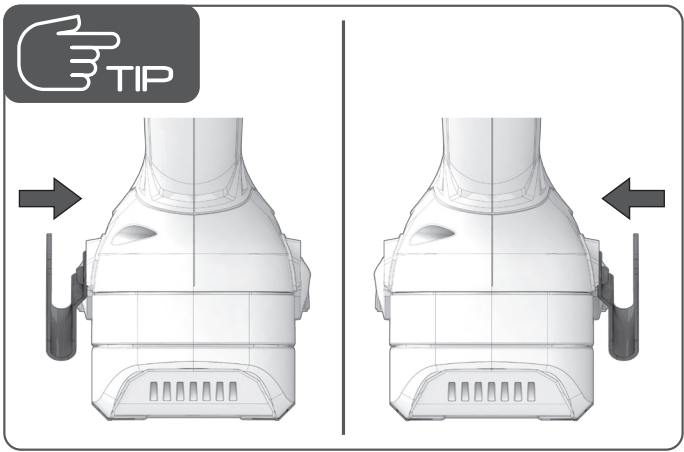
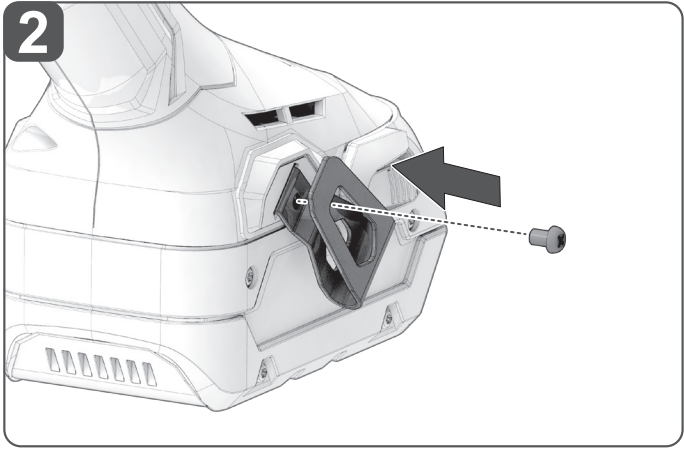
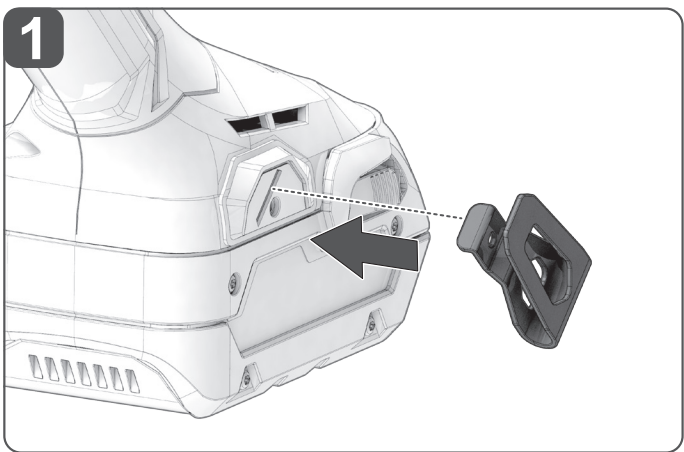
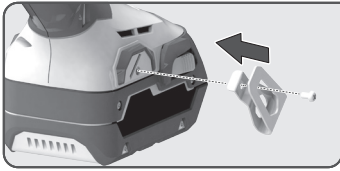
HIGH



LOW









TECHNICAL DATA	BMT18
Type	Multi-tool
Production code	4757 55 01 000001-999999 MJJJJ
Battery voltage	18 V ---
No-load speed	10000-20000 min ⁻¹
Oscillation angle left/right	1.6/1.6°
Weight without battery pack	1.04 kg
Weight according to EPTA-Procedure 01/2014 (Li-ion 2.0 Ah ... 9.0 Ah)	1.46 ... 2.19 kg
Recommended ambient operating temperature	-18...+50 °C
Recommended battery types	L18...
Recommended charger	AL18G, BL1...

Noise Information

Measured values determined according to EN 62841. Typically, the A-weighted noise levels of the tool are:

Sound pressure level / Uncertainty

Sound power level / Uncertainty

Wear ear protection!

$L_{pA}=81.0$ dB (A) / $K_{pA}=3$ dB(A)

$L_{wA}=92.0$ dB (A) / $K_{wA}=3$ dB(A)

Vibration Information

Vibration total values (triaxial vector sum) determined according to EN 62841.

Vibration emission value / Uncertainty

Sanding with sanding pad

Plunge cutting

Flush cutting

$a_r=7.2$ m/s² / $K=1.5$ m/s²

$a_n=13.1$ m/s² / $K=1.5$ m/s²

$a_h=12.4$ m/s² / $K=1.5$ m/s²

⚠ WARNING!

The declared vibration total values and the declared noise emission values given in this instruction manual have been measured in accordance with a standardised test and may be used to compare one tool with another. They may be used for a preliminary assessment of exposure.

The declared vibration and noise emission values represent the main applications of the tool. However, if the tool is used for different applications, used with different accessories, or poorly maintained, the vibration and noise emission may differ. These conditions may significantly increase the exposure levels over the total working period.

An estimation of the level of exposure to vibration and noise should take into account the times when the tool is turned off or when it is running idle. These conditions may significantly reduce the exposure level over the total working period.

Identify additional safety measures to protect the operator from the effects of vibration and noise, such as maintaining the tool and the accessories, keeping the hands warm (in case of vibration), and organising work patterns.

⚠ WARNING! Read all safety warnings, instructions, illustrations and specifications provided with this power tool. Failure to follow all instructions listed below may result in electric shock, fire, and/or serious injury. Save all warnings and instruction for future reference.

MULTI-TOOL SAFETY WARNINGS

Hold the power tool by insulated gripping surfaces, when performing an operation where the cutting accessory may contact hidden wiring. Cutting accessory contacting a "live" wire may make exposed metal parts of the power tool "live" and could give the operator an electric shock.

ADDITIONAL SAFETY AND WORKING INSTRUCTIONS

Always wear safety goggles and a dust mask when sanding, especially sanding overhead.

A suitable breathing respirator must be worn while sanding lead paint, some woods, and metal to avoid breathing the harmful/toxic dust or air.

The dust produced when using the product may be harmful to the health of the operator and bystanders. Operator and bystanders shall not touch and not inhale the dust. Wear a suitable dust protection mask.

Do not machine any materials that present a danger to health, such as asbestos.

Clamp the workpiece with a clamping device. Unclamped workpieces can cause severe injury and damage.

The product will restart automatically if stalled. Turn off the product immediately if it stalls. Do not turn on the product again while it is still stalled, as doing so could trigger a sudden recoil with a high

reactive force. Determine why the product stalled and rectify this, paying heed to the safety instructions.

Remove the battery pack before starting any work on the product.

SPECIFIED CONDITIONS OF USE

The multi-tool is intended to be used:

- for sanding and finishing metal, wood, plastics, or similar materials using the sanding pad with the shaped abrasive sheets provided
 - for scraping and plunge-cutting into non-ferrous metal, wood, plastics, plasterboard, etc. using the provided metallic cutting blades
 - for cutting holes in walls to accommodate switches or power sockets
 - for removing grouting from between ceramic tiles
- The product is intended to be operated indoors in dry, well illuminated, and adequately ventilated conditions.

The product is not intended to be used on wet materials or surfaces. Do not use the product for any other purpose.

ADDITIONAL BATTERY SAFETY WARNINGS

⚠ WARNING! To reduce the risk of fire, personal injury, and product damage due to a short circuit, never immerse your tool, battery pack, or charger in fluid or allow fluid to flow inside them. Corrosive or conductive fluids, such as seawater, certain industrial chemicals, and bleach or bleach containing products, etc., can cause a short circuit.

Do not dispose of used battery packs in the household refuse or by burning them. AEG Distributors offer to retrieve old batteries to protect our environment.



Use only AEG chargers for charging AEG battery packs. Do not use battery packs from other systems.

Never break open battery packs and chargers and store them only in dry rooms. Keep battery packs and chargers dry at all times.

Battery packs that have not been used for some time should be recharged before use.

Temperatures in excess of 50°C (122°F) reduce the performance of the battery pack. Avoid extended exposure to heat or sunshine (risk of overheating).

The contacts of chargers and battery packs must be kept clean.

For an optimum life-time, the battery packs have to be fully charged after use.

To obtain the longest possible battery life, remove the battery pack from the charger once it is fully charged.

For battery pack storage longer than 30 days:

- Store the battery pack where the temperature is below 27°C and away from moisture.
- Store the battery packs in a 30% - 50% charged condition.
- Every six months of storage, charge the pack as normal.

BATTERY PACK PROTECTION

The battery pack has overload protection that protects it from being overloaded and helps to ensure long life.

Under extreme stress, the battery electronics turn off the product automatically. To restart, turn the product off and then on again. If the product does not start up again, the battery pack may have discharged completely. Recharge the battery pack.

TRANSPORTING LITHIUM BATTERIES

Lithium-ion batteries are subject to the Dangerous Goods Legislation requirements.

Transportation of those batteries has to be done in accordance with local, national, and international provisions and regulations.

- Batteries can be transported by road without further requirement.
- Commercial transport of Lithium-ion batteries by third parties is subject to Dangerous Goods Regulations. Transport preparation and transport are exclusively to be carried out by appropriately trained persons and the process has to be accompanied by corresponding experts.

When transporting batteries:

- Ensure that the battery contact terminals are protected and insulated to prevent short circuit.
- Ensure that the battery pack is secured against movement within the packaging.
- Do not transport batteries that are cracked or leaking.




Check with the forwarding company for further advice.











MAINTENANCE

Use only AEG accessories and spare parts. Should components that have not been described need to be replaced, contact one of our AEG service agents (see our list of guarantee/service addresses).

If needed, an exploded view of the product can be ordered. State the product type and the serial number printed on the label, and order the drawing at your local service agents or directly at: Techtronic Industries GmbH, Max-Eyth-Straße 10, 71364 Winnenden, Germany.

SYMBOLS

	Read the instructions carefully before starting the product.
	CAUTION! WARNING! DANGER!
	Remove the battery pack before starting any work on the product.

	To reduce the risk of injury or damage, avoid contact with any hot surface.
	Wear eye protection.
	Wear ear protectors.
	Wear a suitable dust protection mask.
	Wear gloves.
	Do not dispose of waste batteries, waste electrical and electronic equipment as unsorted municipal waste. Waste batteries and waste electrical and electronic equipment must be collected separately. Waste batteries, waste accumulators, and light sources have to be removed from the equipment. Check with your local authority or retailer for recycling advice and collection point. According to local regulations, retailers may have an obligation to take back waste batteries and waste electrical and electronic equipment free of charge. Your contribution to the reuse and recycling of waste batteries and waste electrical and electronic equipment helps to reduce the demand of raw materials. Waste batteries, in particular containing lithium, and waste electrical and electronic equipment contain valuable and recyclable materials, which can adversely impact the environment and the human health if not disposed of in an environmentally compatible manner. Delete personal data from waste equipment, if any.
n_0	No-load speed
V	Volts
	Direct current
	European Conformity Mark
	Ukraine Conformity Mark
	EurAsian Conformity Mark



TECHNISCHE DATEN	BMT18
Typ	Multitool
Produktionscode	4757 55 01 00001-999999 MJJJJ
Batteriespannung	18 V ---
Leerlaufdrehzahl	10000-20000 min^{-1}
Oszillationswinkel links/rechts	1,6/1,6°
Gewicht ohne Akkupack	1,04 kg
Gewicht gemäß EPTA-Verfahren 01/2014 (2,0 Ah ... 9,0 Ah Li-Ion)	1,46 ... 2,19 kg
Empfohlene Umgebungstemperatur während des Betriebs	-18...+50 °C
Empfohlener Akkutyp	L18...
Empfohlenes Ladegerät	AL18G, BL1...

Geräuschinformationen

Messwerte ermittelt gemäß EN 62841. Die typischen A-bewerteten Geräuschpegel des Werkzeugs sind:

Schalldruckpegel / Unsicherheit
Schallleistungspegel / Unsicherheit

$L_{pA}=81,0 \text{ dB (A)} / K_{pA}=3 \text{ dB(A)}$
 $L_{WA}=92,0 \text{ dB (A)} / K_{WA}=3 \text{ dB(A)}$

Tragen Sie einen Gehörschutz!

Schwingungsinformationen

Die Gesamtvibrationswerte (triaxiale Vektorsumme) ermittelt gemäß EN 62841.

Schwingungsemissionswert / Unsicherheit

Schleifen mit Schleifpad
Eintauchschnitt
Bündiges Schneiden

$a_r=7,2 \text{ m/s}^2 / K=1,5 \text{ m/s}^2$
 $a_h=13,1 \text{ m/s}^2 / K=1,5 \text{ m/s}^2$
 $a_n=12,4 \text{ m/s}^2 / K=1,5 \text{ m/s}^2$

⚠️ WARNUNG!

Die in dieser Anleitung deklarierten Gesamtwerte der Schwingungsemission und die deklarierten Werte der Geräuschemission wurden gemäß einer standardisierten Testmethode gemessen und können verwendet werden, um Werkzeuge miteinander zu vergleichen. Sie können für eine vorläufige Beurteilung der Belastung verwendet werden.

Die deklarierten Werte für Schwingungs- und Geräuschemission treffen auf die Hauptanwendung des Werkzeugs zu. Wenn jedoch das Werkzeug für verschiedene Anwendungen oder mit unterschiedlichem Zubehör genutzt wird oder schlecht gewartet ist, kann die Schwingungs- und Geräuschemission variieren. Diese Bedingungen können das Belastungsniveau über die gesamte Arbeitszeit deutlich steigern.

Eine Schätzung der Schwingungsbelastung sollte auch die Zeiten berücksichtigen, in denen das Werkzeug ausgeschaltet ist oder im Leerlauf läuft. Diese Bedingungen können das Belastungsniveau über die gesamte Arbeitszeit deutlich reduzieren.

Legen Sie zusätzliche Sicherheitsmaßnahmen fest, um den Bediener vor den Auswirkungen von Schwingung und Geräuschen zu schützen, z. B. Warten des Geräts und der Zubehöreile, Warmhalten der Hände (bei Schwingung) und Organisieren der Tätigkeit.

⚠️ WARNUNG! Lesen Sie aufmerksam alle mit diesem Werkzeug gelieferten Warnungen, Anweisungen und Spezifikationen, beziehen Sie sich auf die Illustrationen.

Werden nicht alle unten aufgeführten Anweisungen eingehalten, kann dies zu Stromschlägen, Bränden und/oder schwerwiegenden Verletzungen führen. Bewahren Sie alle Sicherheitshinweise und Anweisungen für die Zukunft auf.

Das Produkt wird nach einem Stillstand automatisch neu gestartet. Wenn das Gerät blockiert, schalten Sie es sofort aus. Schalten Sie das Gerät nicht erneut ein, während es blockiert ist, um einen plötzlichen Rückstoß mit einer hohen Reaktionskraft zu verhindern. Bestimmen Sie die Ursache der Blockierung des Produkts und beheben Sie das Problem unter Beachtung der Sicherheitshinweise. Entfernen Sie den Akku, bevor Sie mit dem Gerät arbeiten.

SICHERHEITSWARNUNGEN MULTITOOL

Halten Sie das Elektrowerkzeug während des Betriebs an der isolierten Greiffläche, wenn das Schneidezubehör versteckte Verkabelung berühren kann. Der Kontakt mit einer spannungsführenden Leitung kann auch metallene Geräteteile unter Spannung setzen und könnte zu einem elektrischen Schlag führen.

ZUSÄTZLICHE SICHERHEITS- UND ARBEITSANWEISUNGEN

Tragen Sie beim Schleifen immer eine Schutzbrille und eine Staubmaske, insbesondere beim Schleifen über Kopf.

Beim Schleifen von Bleifarben, einigen Hölzern und Metall muss ein geeignetes Atemschutzgerät getragen werden, um das Einatmen von schädlichem/toxischem Staub oder Luft zu vermeiden.

Der beim Einsatz des Geräts anfallende Staub kann gesundheitsschädlich für den Bediener und sonstige anwesende Personen sein. Der Bediener und die übrigen anwesenden Personen dürfen den Staub weder berühren noch einatmen. Tragen Sie eine angemessene Staubschutzmaske.

Bearbeiten Sie keine Materialien, die ein Gesundheitsrisiko darstellen, wie z. B. Asbest.

Sichern Sie Ihr Werkstück mit einer Spannvorrichtung. Ungesicherte Werkstücke können schwere Verletzungen und Schäden verursachen.

BESTIMMUNGSGEMÄSSE VERWENDUNG

Das Multitool ist für den folgenden Gebrauch bestimmt:

- Zum Schleifen und Veredeln von Metall, Holz, Kunststoffen oder ähnlichen Materialien unter Verwendung des Schleifpads mit den mitgelieferten geformten Schleifblättern.
- Zum Schaben und für den Eintauchschnitt in Nichteisenmetalle, Holz, Kunststoffe, Gipskartonplatten usw. mit den mitgelieferten Metallmessern.
- Zum Schneiden von Löchern in Wänden zur Aufnahme von Schaltern oder Steckdosen.
- Zum Entfernen von Fugen zwischen Keramikfliesen.

Das Produkt ist für den Einsatz in trockenen, gut beleuchteten und ausreichend belüfteten Innenräumen vorgesehen.

Das Produkt ist nicht für die Verwendung auf nassen Materialien oder Oberflächen vorgesehen.

Benutzen Sie das Produkt nicht für andere Aufgaben, als die genannten bestimmungsgemäßen Verwendungen.

WEITERE SICHERHEITSHINWEISE ZUM AKKU

⚠️ WARNUNG! Um die durch einen Kurzschluss verursachte Gefahr eines Brandes, von Verletzungen oder Produktbeschädigungen zu vermeiden, tauchen Sie das Werkzeug, den Wechselakku oder das Ladegerät nicht in Flüssigkeiten ein





und sorgen Sie dafür, dass keine Flüssigkeiten in die Geräte und Akkus eindringen. Korrodierende oder leitfähige Flüssigkeiten, wie Salzwasser, bestimmte Chemikalien und Bleichmittel oder Produkte, die Bleichmittel enthalten, können einen Kurzschluss verursachen.

Entsorgen Sie benutzte Akkus nicht im Hausabfall oder durch Verbrennen. AEG-Vertriebspartner bieten an, alte Akkus zum Schutz unserer Umwelt wieder herzustellen.

Nutzen Sie zum Laden von AEG-Akkus ausschließlich AEG-Ladegeräte. Verwenden Sie keine Akkus aus anderen Systemen.

Öffnen Sie niemals Akkus oder Ladegeräte und bewahren Sie beides nur in trockenen Räumen auf. Halten Sie Akkus und Ladegeräte jederzeit trocken.

Akkus, die seit einiger Zeit nicht benutzt wurden, sollten vor Gebrauch wieder aufgeladen werden.

Temperaturen über 50 °C (122 °F) reduzieren die Leistung des Akkupacks. Vermeiden Sie eine längere Hitzeeinwirkung oder Sonneneinstrahlung (Überhitzungsgefahr).

Die Kontakte von Ladegerät und Akku müssen saubergehalten werden.

Für eine optimale Lebensdauer müssen die Akkupacks nach dem Gebrauch voll aufgeladen werden.

Um eine möglichst lange Akkulebensdauer zu erreichen, entfernen Sie den Akku aus dem Ladegerät, sobald er vollständig aufgeladen ist.

Bei einer Lagerung des Akkus für mehr als 30 Tage:

- Lagern Sie den Akku bei einer Temperatur unter 27 °C und vor Feuchtigkeit geschützt.
- Lagern Sie den Akku mit einer Ladung von 30 bis 50 %.
- Laden Sie den Akku nach jeweils sechs Monaten der Lagerung normal.

SCHUTZ DES AKKUS

Der Akku verfügt über einen Überladungsschutz, der ihn vor dem Überladen schützt und hilft, eine lange Lebensdauer zu gewährleisten.

Bei extremer Belastung schaltet die Elektronik des Akkus das Gerät automatisch ab. Um das Gerät neu zu starten, schalten Sie es aus und wieder ein. Wenn sich das Gerät nicht wieder einschaltet, ist der Akku möglicherweise vollständig entladen. Laden Sie den Akku auf.

TRANSPORT VON LITHIUM-IONEN-AKKUS

Der Lithium-Ionen Akku unterliegt der Gesetzgebung für gefährliche Waren.

Der Transport dieser Akkus muss in Übereinstimmung mit den örtlichen, nationalen und internationalen Bestimmungen und Vorschriften erfolgen.

- Akkus können ohne weitere Anforderungen auf der Straße transportiert werden.
- Der kommerzielle Transport von Lithium-Ionen-Akkus durch Dritte unterliegt den Gefahrgutvorschriften. Die Transportvorbereitungen und der Transport dürfen ausschließlich von angemessen ausgebildeten Personen durchgeführt werden, und der Vorgang muss von den entsprechenden Experten begleitet werden.

Beim Transport von Akkus:

- Stellen Sie sicher, dass die Akkupole geschützt und isoliert sind, um Kurzschlüsse zu verhindern.
- Vergewissern Sie sich, dass der Akku in der Verpackung gegen Verrutschen und Wackeln gesichert ist.
- Beschädigte oder auslaufende Akkus dürfen nicht transportiert werden.

Befragen Sie Ihre Transportfirma nach weiteren Informationen.

WARTUNG UND PFLEGE

Verwenden Sie nur Zubehör und Ersatzteile von AEG. Sollten Komponenten ersetzt werden müssen, die noch nicht beschrieben wurden, wenden Sie sich bitte an einen unserer AEG-Kundendienstmitarbeiter (siehe unsere Liste der Garantie-/Service-Adressen).

Bei Bedarf kann eine Einzelteildarstellung des Geräts bestellt werden. Geben Sie die Art des Geräts und die auf dem Etikett aufgedruckte Seriennummer an und bestellen Sie die Zeichnung beim Serviceanbieter vor Ort oder direkt bei: Techtronic Industries GmbH, Max-Eyth-Straße 10, 71364 Winnenden, Germany.

SYMBOLE



Lesen Sie die Anleitung aufmerksam durch, bevor Sie das Gerät verwenden.



ACHTUNG! WARNUNG! GEFAHR!



Entfernen Sie den Akku, bevor Sie mit dem Gerät arbeiten.



Um die Gefahr von Verletzungen oder Schäden zu verringern, vermeiden Sie den Kontakt mit heißen Oberflächen.



Tragen Sie einen Augenschutz



Tragen Sie Gehörschutz.



Tragen Sie eine angemessene Staubschutzmaske.



Tragen Sie Handschuhe.



Entsorgen Sie Altbatterien, Elektro- und Elektronikaltgeräte nicht als unsortierten Siedlungsabfall. Altbatterien und Elektro- und Elektronikaltgeräte müssen getrennt gesammelt werden. Altbatterien, Altakkumulatoren und Lichtquellen müssen aus den Geräten entfernt werden. Informieren Sie sich bei den örtlichen Behörden oder bei Ihrem Einzelhändler über Recyclingoptionen und die Entsorgungseinrichtung. Je nach den örtlichen Vorschriften kann der Einzelhandel verpflichtet sein, Altbatterien und Elektro- und Elektronik-Altgeräte unentgeltlich zurückzunehmen. Ihr Beitrag zur Wiederverwendung und zum Recycling von Elektro- und Elektronikaltgeräten trägt dazu bei, den Bedarf an Rohstoffen zu verringern. Altbatterien, insbesondere lithiumhaltige Batterien, und Elektro- und Elektronik-Altgeräte enthalten wertvolle, wiederverwertbare Materialien, die sich negativ auf die Umwelt und die menschliche Gesundheit auswirken können, wenn sie nicht auf umweltverträgliche Weise entsorgt werden. Löschen Sie ggf. personenbezogene Daten aus Altgeräten.

n_0

Leerlaufdrehzahl

V

Spannung



Gleichstrom



Europäisches Konformitätskennzeichen



Ukrainisches Konformitätskennzeichen



EurAsian Konformitätszeichen





DONNÉES TECHNIQUES	BMT18
Type	Outil multi-usage
Code de production	4757 55 01 00001-999999 MJJJJ
Tension de batterie	18 V ===
Vitesse de rotation à vide	10000-20000 min ⁻¹
Angle d'oscillation gauche/droite	1,6/1,6°
Poids sans la batterie	1,04 kg
Poids selon la procédure EPTA 01/2014 (2,0 Ah ... 9,0 Ah Li-Ion)	1,46 ... 2,19 kg
Température ambiante de fonctionnement recommandée	-18...+50 °C
Type de batterie conseillé	L18...
Chargeur conseillé	AL18G, BL1...

Informations sur le bruit

Valeurs mesurées déterminées selon la norme EN 62841. En standard, les niveaux sonores pondérés A de l'outil sont :

Niveau de pression acoustique / Incertitude
Niveau de puissance acoustique / Incertitude

$L_{pA}=81,0$ dB (A) / $K_{pA}=3$ dB(A)
 $L_{WA}=92,0$ dB (A) / $K_{WA}=3$ dB(A)

Portez une protection auditive!

Informations sur les vibrations

Valeur totale de vibration (somme vectorielle à trois axes) déterminée en fonction de la norme EN 62841.

Valeur d'émission de vibration / Incertitude

Ponçage avec patin de ponçage
Coupe en plongée
Coupe à ras

$a_r=7,2$ m/s² / $K=1,5$ m/s²
 $a_p=13,1$ m/s² / $K=1,5$ m/s²
 $a_n=12,4$ m/s² / $K=1,5$ m/s²

⚠ AVERTISSEMENT!

Le niveau total de vibrations et le niveau total d'émissions sonores déclarés indiqués dans ce manuel d'instruction ont été mesurés selon une méthode de test normalisée et peut servir de référence pour comparer les outils entre eux. Ils peuvent servir d'évaluation préliminaire à l'exposition.

Les niveaux d'émissions sonores et de vibrations déclarés représentent les principales applications de l'outil. Toutefois, si l'outil est utilisé pour des applications différentes ou des accessoires différents, ou s'il est mal entretenu, les vibrations émises peuvent varier. Ces facteurs pourraient augmenter considérablement les niveaux d'exposition sur la durée totale d'utilisation.

Une estimation du niveau d'exposition aux vibrations et du bruit doit aussi prendre en compte les périodes durant lesquelles l'outil est éteint ou lorsqu'il fonctionne à vide. Ces facteurs pourraient réduire considérablement le niveau d'exposition sur la durée totale d'utilisation.

Identifiez toute mesure de sécurité supplémentaire à observer pour protéger l'opérateur des effets des vibrations et du bruit, comme l'entretien de l'outil et des accessoires, le maintien au chaud des mains (en cas de vibrations), et l'élaboration de schémas de pulvérisation.

⚠ AVERTISSEMENT! Lisez l'ensemble des avertissements, instructions, illustrations et spécifications relatifs à la sécurité fournis avec ce produit. Le non-respect des instructions ci-dessous peut entraîner un choc électrique, un incendie et/ou des blessures graves. Conservez tous les avertissements et toutes les instructions pour pouvoir vous y reporter ultérieurement.

Le produit redémarrera automatiquement s'il a calé. Arrêter immédiatement le produit s'il cale. Ne pas réactiver le produit tant qu'il est calé. Ceci risquerait de déclencher un recul soudain, avec une force réactive élevée. Identifiez pourquoi le produit a calé et corrigez le problème, en tenant compte des instructions de sécurité. Retirez le bloc de batterie avant de commencer un quelconque travail sur le produit.

AVERTISSEMENTS DE SÉCURITÉ CONCERNANT L'OUTIL MULTI-USAGE

Lorsqu'il existe un risque que l'accessoire de coupe puisse entrer en contact avec des câbles électriques dissimulés, tenir l'outil électrique uniquement au niveau de ses surfaces de saisie isolées. Un accessoire de coupe qui entre en contact avec un câble "sous tension" est susceptible de véhiculer le courant électrique vers les parties métalliques de l'outil et de provoquer un choc électrique à l'opérateur.

UTILISATION CONFORME AUX PRESCRIPTIONS

L'outil multi-usage est destiné à être utilisé :

- pour le ponçage et à la finition du métal, du bois, du plastique ou de matériaux similaires à l'aide des patins de ponçage ou des feuilles abrasives fournis.
- pour le grattage et la coupe dans le métal non ferreux, le bois, le plastique, le plâtre, etc. à l'aide des lames de coupe métalliques fournies
- pour percer des trous dans les murs afin de placer des interrupteurs ou des prises électriques
- pour retirer les joints entre les dalles en céramique

Le produit est conçu pour fonctionner à l'intérieur dans des conditions sèches, bien éclairées et suffisamment aérées.

Le produit n'est pas destiné à être utilisé sur des matériaux ou des surfaces humides.

Ne vous servez pas de ce produit pour d'autres utilisations que celles décrites au chapitre des utilisations prévues.

INSTRUCTIONS DE FONCTIONNEMENT ET DE SÉCURITÉ SUPPLÉMENTAIRES

Portez toujours des lunettes de sécurité et un masque anti-poussière lors du ponçage, en particulier en hauteur.

Une protection respiratoire appropriée doit être portée lors du ponçage de la peinture au plomb, de certains bois et du métal pour éviter d'inhaler la poussière ou l'air dangereux/toxique.

La poussière générée lors de l'utilisation du produit pourrait être nocive pour la santé de l'opérateur et des observateurs. L'opérateur et les observateurs ne doivent ni toucher ni respirer la poussière. Porter un masque anti-poussière adapté.

N'utilisez aucun matériau dangereux pour la santé, par exemple l'amiante. Sécurisez la pièce à couper à l'aide d'un dispositif de serrage. Une pièce à travailler non-fixée peut être la cause de blessures graves et de dommages.

MISES EN GARDE DE SÉCURITÉ SUPPLÉMENTAIRES CONCERNANT LA BATTERIE

⚠ AVERTISSEMENT! Pour réduire le risque d'incendie, de blessures corporelles et de dommages causés par un court-circuit, n'immergez jamais l'outil, la batterie ou le chargeur dans un liquide et ne laissez jamais couler un fluide à l'intérieur de celui-ci. Les fluides corrosifs ou conducteurs, tels que l'eau de mer, certains



produits chimiques industriels, les produits de blanchiment ou contenant des agents de blanchiment etc. peuvent provoquer un court-circuit

Ne jetez pas les blocs de batterie usagés avec les ordures ménagères et ne les jetez pas au feu. Les distributeurs AEG proposent de reprendre les anciennes batteries afin de préserver l'environnement.

Utilisez uniquement les chargeurs AEG pour recharger les blocs-batteries. Ne pas utiliser de packs de batterie provenant d'autres systèmes.

N'ouvrez jamais les blocs-batteries et les chargeurs et stockez-les uniquement dans des locaux secs. Conservez les blocs-batteries et les chargeurs au sec en tout temps.

Les packs de batterie n'ayant pas été utilisés depuis un moment doivent être rechargés avant emploi.

Une température supérieure à 50 °C (112 °F) réduit les performances du pack de batterie. Éviter toute exposition prolongée à la chaleur ou aux rayons du soleil (risque de surchauffe).

Les contacts des chargeurs et des packs de batterie doivent rester propres.

Pour une durée de vie optimale, la batterie doit être complètement rechargée après usage.

Pour obtenir la plus longue durée de vie possible, retirer le pack de batterie du chargeur une fois qu'il est totalement chargé.

Pour le stockage du pack de batterie pendant plus de 30 jours :

- Entreposer le pack de batterie dans un endroit où la température est inférieure à 27 °C et à l'abri de l'humidité.
- Entreposer les packs de batterie dans un état de charge de 30 % à 50 %.
- Tous les six mois de stockage, recharger le pack comme d'habitude.

PROTECTION DU PACK DE BATTERIE

Le pack de batterie est doté d'une protection contre les surcharges qui le protège contre les surcharges et contribue à garantir une longue durée de vie.

En cas de sollicitation extrême, l'électronique de la batterie éteint automatiquement le produit. Pour redémarrer, arrêtez l'appareil, puis remettez-le en marche. Si le produit ne redémarre pas, il se peut que le pack de batterie soit complètement déchargé. Recharger le bloc-batteries.

TRANSPORT DES BATTERIES AU LITHIUM

La batterie lithium ion est susceptible d'être concernée par la législation concernant les marchandises dangereuses.

Le transport de ces batteries doit être réalisé conformément aux dispositions et réglementations en vigueur au niveau local, national et international.

- Les batteries sont aptes à un transport routier sans exigences supplémentaires.
- Le transport commercial des batteries au lithium-ion par des tierces parties est soumis aux réglementations relatives aux marchandises dangereuses. Les préparatifs du transport et le transport doivent être effectués exclusivement par des personnes ayant reçu une formation adéquate, et le processus doit être accompagné par les experts correspondants.

Lors du transport des batteries :

- Assurez-vous que les bornes des batteries sont protégées et isolées afin d'empêcher tout court-circuit.
- Veiller à la bonne fixation du pack de batterie pour éviter tout mouvement dans l'emballage.
- Ne transportez pas une batterie qui serait fendue ou qui fuirait. Demandez conseil au transporteur pour de plus amples informations.

ENTRETIEN

Utiliser uniquement des accessoires AEG et des pièces de rechange AEG. Si vous devez remplacer des composants qui n'ont pas été décrits, veuillez contacter un de nos agents de service AEG (consultez notre liste de contact pour les services et la garantie).

Au besoin, une vue éclatée du produit peut être commandée. Mentionnez le type du produit et le numéro de série imprimé sur l'étiquette, et commandez le schéma auprès de votre agent de service local ou directement au : Technonic Industries GmbH, Max-Eyth-Strasse 10, 71364 Winnenden, Germany.

SYMBOLES



Veuillez lire attentivement les instructions avant d'utiliser le produit.



PRUDENCE AVERTISSEMENT! DANGER



Retirez le bloc de batterie avant de commencer un quelconque travail sur le produit.



Afin de réduire le risque de blessure ou de dommage, évitez tout contact avec une surface chaude.



Porter une protection oculaire.



Portez une protection acoustique.



Porter un masque anti-poussière adapté.



Portez des gants.



Ne jetez pas les batteries et les équipements électriques et électroniques usagés parmi les déchets municipaux non triés. Les batteries et les équipements électriques et électroniques usagés doivent être collectés séparément. Les batteries, accumulateurs et sources lumineuses usagés doivent être retirés de l'équipement. Pour obtenir des conseils en matière de recyclage et de points de collecte, se renseigner auprès des autorités locales ou du détaillant. Selon les réglementations locales, les détaillants peuvent avoir l'obligation de récupérer gratuitement les batteries et les équipements électriques et électroniques usagés. Votre contribution à la réutilisation et au recyclage des batteries et équipements électriques et électroniques usagés permet de réduire la demande en matières premières. Les batteries, notamment celles qui contiennent du lithium, ainsi que les équipements électriques et électroniques usagés comportent des matériaux précieux et recyclables, qui peuvent avoir un impact négatif sur l'environnement et la santé humaine s'ils ne sont pas éliminés de manière respectueuse de l'environnement. Supprimer les données personnelles de l'équipement usagé, le cas échéant.

n_0

Vitesse de rotation à vide

V

Tension



Courant continu



Marque de conformité européenne



Marque de conformité ukrainienne



Marque de conformité d'Eurasie



DATI TECNICI		BMT18
Tipo	Multiutensile	
Codice di produzione	4757 55 01 000001-999999 MJJJJ	
Tensione batteria	18 V ===	
Velocità a vuoto	10000-20000 min ⁻¹	
Angolo di oscillazione sinistro/destro	1,6/1,6°	
Peso (senza batterie)	1,04 kg	
Peso in base alla procedura EPTA 01/2014 (2,0 ... 9,0 Ah Ah agli ioni di litio)	1,46 ... 2,19 kg	
Temperatura ambiente consigliata per il funzionamento	-18...+50 °C	
Tipo di batteria consigliato	L18...	
Caricatore consigliato	AL18G, BL1...	

Informazioni su rumori

I valori misurati sono determinati secondo EN 62841. Tipicamente i livelli di rumorosità con pesatura A dell'utensile sono:

Livello di pressione sonora / Incertezza

Livello di potenza sonora / Incertezza

Indossare cuffie di protezione!

$L_{pA}=81,0 \text{ dB (A)} / K_{WA}=3 \text{ dB(A)}$

$L_{WA}=92,0 \text{ dB (A)} / K_{WA}=3 \text{ dB(A)}$

Informazioni su vibrazioni

Valori totali di vibrazione (somma del vettore triassiale) determinati in base a EN 62841:

Valore di emissione delle vibrazioni / Incertezza

Levigatura con spugna levigante

Taglio a tuffo

Taglio a filo

$a_r=7,2 \text{ m/s}^2 / K=1,5 \text{ m/s}^2$

$a_n=13,1 \text{ m/s}^2 / K=1,5 \text{ m/s}^2$

$a_h=12,4 \text{ m/s}^2 / K=1,5 \text{ m/s}^2$

⚠ AVVERTENZA!

Il livello di emissioni di vibrazioni riportato in questa scheda informativa è stato misurato con un metodo di prova standardizzato ed è utilizzabile per confrontare gli utensili fra di loro. Questi possono essere usati per una valutazione preliminare dell'esposizione.

I valori di emissione di rumori e vibrazioni rappresentano le principali applicazioni dello strumento. Tuttavia, se l'utensile viene utilizzato in applicazioni differenti, con differenti accessori o con scarsa manutenzione, l'emissione di vibrazioni e rumori può essere diversa. Queste condizioni possono significativamente aumentare il livello di esposizione nel periodo di lavoro totale.

Una stima del livello di esposizione alle vibrazioni e ai rumori va presa in considerazione anche quando l'utensile viene spento oppure è in funzione a folle. Queste condizioni possono significativamente ridurre il livello di esposizione nel periodo di lavoro totale.

Identificare le misure di sicurezza aggiuntive per proteggere l'operatore dagli effetti di vibrazioni e rumori, come la manutenzione di strumento e accessori, mantenendo le mani calde (in caso di vibrazione) e le modalità di lavoro.

⚠ AVVERTENZA! Leggere tutte le istruzioni e avvertenze di sicurezza, le illustrazioni e le specifiche fornite con questo prodotto. Il mancato rispetto di tutte le istruzioni elencate in basso potrebbe causare scosse elettriche, incendi e/o lesioni gravi. Conservare le presenti avvertenze ed istruzioni per poterle consultare in seguito.

mentre è ancora in stallo, in quanto si potrebbe produrre un improvviso contraccolpo con un'elevata forza reattiva. Determinare la causa dello stallo e correggerla, prestando attenzione alle istruzioni di sicurezza.

Rimuovere il pacco batteria prima di iniziare qualsiasi lavoro sul prodotto.

AVVISI DI SICUREZZA MULTISTRUMENTO

Tenere l'elettro utensile solo tramite le superfici antiscivolo isolate, durante l'esecuzione dell'operazione in cui l'accessorio di taglio potrebbe toccare il cavo nascosto. Se la lama taglia un cavo "vivo" le parti esposte dell'elettro utensile potrebbero fare da conduttore e causare scosse elettriche.

UTILIZZO RACCOMANDATO

Il multiutensile è pensato per essere utilizzato per:

- levigatura e finitura di metallo, legno, plastica o materiali simili utilizzando piastra levigante o carta abrasiva.
 - per raschiatura e taglio ad immersione in metallo non ferroso, legno, plastica, cartongesso ecc utilizzando le lame di taglio metalliche fornite
 - per taglio di fori nelle pareti per accogliere interruttori o prese di corrente
 - per la rimozione della malta dalle piastrelle in ceramica
- Il prodotto è pensato per essere utilizzato all'interno in condizioni asciutte, ben illuminate e adeguatamente areggiate.

ISTRUZIONI OPERATIVE E DI SICUREZZA AGGIUNTIVE

Indossare sempre occhiali di sicurezza e una maschera protettiva durante la levigatura, specialmente verso l'alto.

Indossare un respiratore idoneo durante la levigatura della vernice in piombo, alcuni legni e metallo per evitare di respirare polvere dannosa/tossica.

La polvere prodotta durante l'uso del prodotto può essere dannosa per la salute dell'operatore e dei passanti. Né l'operatore né i passanti dovranno inalare la polvere. Indossare una maschera antipolvere adeguata.

Il prodotto non è pensato per essere utilizzato su materiali o superfici bagnate.

Non utilizzare il prodotto in modi diversi da quelli indicati.

Non lavorare i materiali che sono dannosi per la salute come l'asbesto.

Agganciare il pezzo sul quale si sta lavorando con un morsetto. Pezzi non assicurati correttamente potranno causare gravi lesioni e danni.

In caso di stallo il prodotto si riavvierà automaticamente. Spegnerlo immediatamente il prodotto se si blocca. Non riaccendere il prodotto

AVVERTENZE AGGIUNTIVE PER LA SICUREZZA DELLA BATTERIA

⚠ AVVERTENZA! Per ridurre il rischio di incendio, lesioni personali e danni al prodotto dovuti a corto circuito, non immergere mai il pacco batteria o il caricabatterie in liquidi, né favorire la penetrazione di liquidi al loro interno. I fluidi corrosivi o conduttori come acqua salata, alcuni agenti chimici, agenti candeggianti o





prodotti contenenti agenti candeggianti potrebbero provocare un corto circuito.

Non smaltire i gruppi batteria utilizzati tra i rifiuti domestici né bruciarli. I distributori AEG offrono la raccolta delle batterie usate per proteggere l'ambiente.

Utilizzare solo i caricatori AEG per la carica dei pacchi batteria AEG. Non usare le batterie di altri sistemi.

Non forzare mai l'apertura della batteria o dei caricatori. Conservarli solo in ambienti asciutti. Mantenere i pacchi batteria e i caricatori sempre asciutti.

Le batterie che non sono state usate per qualche tempo devono essere ricaricate prima dell'uso.

Temperature superiori a 50°C (122°F) riducono le prestazioni della batteria. Evitare la prolungata esposizione al calore o ai raggi solari (rischio di surriscaldamento).

I contatti dei caricatori e dei pacchi batteria devono essere tenuti puliti.

Per una durata ottimale le batterie devono essere caricate completamente dopo l'uso.

Per ottenere la massima durata possibile della batteria, rimuoverla dal caricatore una volta che sia totalmente carica.

Per una conservazione dei pacchi batteria superiore a 30 giorni:

- Conservare il pacco batteria dove la temperatura è inferiore a 27°C e lontano dall'umidità.
- Conservare i pacchi batteria in una condizione di carica al 30%-50%.
- Ogni sei mesi di conservazione, caricare il pacco come sempre.

PROTEZIONE PACCO BATTERIA

Il pacco batteria ha una protezione da sovraccarico e garantisce una lunga durata.

In condizioni di stress estremo, i componenti elettronici della batteria spongono i prodotti automaticamente. Per riavviarlo, spegnerlo e riaccenderlo. Se il prodotto non si riavvia, il pacco batteria deve essere completamente scaricato. Ricaricare il pacco batterie.

TRASPORTO BATTERIE AL LITIO

La batteria agli ioni di litio è soggetta a legislazione sui materiali pericolosi.

Il trasporto delle batterie deve avvenire nel rispetto delle disposizioni e delle normative locali, nazionali e internazionali.

- Le batterie possono essere trasportate per strada senza ulteriori requisiti.
- Il trasporto commerciale delle batterie agli ioni di litio da parte di terzi è soggetto ai regolamenti sulle merci pericolose. La preparazione per il trasporto e il trasporto sono esclusivamente da portare a termine da persone che abbiano ricevuto adeguate istruzioni in materia e il procedimento deve essere accompagnato da esperti in materia.

Durante il trasporto delle batterie:

- Assicurarsi che i terminali dei contatti della batteria siano protetti e isolati per prevenire corto circuiti.
 - Assicurarsi che la batteria sia fissata per evitarne il movimento dentro l'imballaggio.
 - Non trasportare batterie rotte o che perdono liquidi.
- Rivolgersi alla ditta distributrice per ulteriori consigli.

MANUTENZIONE

Usare solo accessori e parti di ricambio AEG. In caso di sostituzione di componenti che non sono stati descritti, rivolgersi a uno degli agenti di assistenza AEG (consultare la lista degli indirizzi per garanzia/assistenza).

Se necessario si può ordinare una vista esplosa del prodotto. Indicare il tipo di prodotto e il numero di serie stampato sull'etichetta e ordinare il disegno presso l'agente di assistenza locale oppure direttamente a: Technonic Industries GmbH, Max-Eyth-Straße 10, 71364 Winnenden, Germany.

SIMBOLI



Leggere attentamente le istruzioni prima di utilizzare il prodotto.



ATTENZIONE! AVVERTENZA! PERICOLO!



Rimuovere il pacco batteria prima di iniziare qualsiasi lavoro sul prodotto.



Per diminuire il rischio di lesioni o danni, evitare il contatto con qualsiasi superficie calda.



Indossare una protezione oculare.



Indossare protezioni acustiche adeguate.



Indossare una maschera antipolvere adeguata.



Indossare i guanti.



Non smaltire le batterie scariche e altre apparecchiature elettriche ed elettroniche come normali rifiuti. Le batterie scariche e i dispositivi elettrici ed elettronici dovranno essere raccolti separatamente. Le batterie usate, gli accumulatori e le fonti luminose non più utilizzabili dovranno essere rimossi dall'apparecchiatura. Consultare l'autorità locale o il rivenditore per consigli sullo smaltimento e il punto di raccolta. In base alle normative locali i rivenditori potrebbero avere l'obbligo di riprendersi le batterie usate e le apparecchiature elettriche ed elettroniche gratuitamente. Il vostro contributo al riciclaggio delle batterie e delle apparecchiature elettriche ed elettroniche aiuta a ridurre la richiesta di materie prime. Le batterie usate, in particolare quelle che contengono litio e le apparecchiature elettriche ed elettroniche contengono materiali preziosi e riciclabili che potrebbero avere un impatto avverso sull'ambiente e la salute umana, se non smaltiti in un modo ecocompatibile. Eliminare i dati personali, se presenti, dalle apparecchiature da buttare.

n_o

Velocità a vuoto

V

Tensione



Corrente diretta



Marchio di conformità europeo



Marchio di conformità ucraino



Marchio di conformità EurAsian





DATOS TÉCNICOS		BMT18
Tipo	Multiherramienta	
Código de producción	4757 55 01 000001-999999 MJJJJ	
Voltaje de la batería	18 V ---	
Velocidad sin carga	10000-20000 min ⁻¹	
Ángulo de oscilación, izquierda/derecha	1,6/1,6°	
Peso (sin la batería)	1,04 kg	
Peso de acuerdo con el procedimiento EPTA 01/2014 (2,0 Ah ... 9,0 Ah, Li-Ion)	1,46 ... 2,19 kg	
Temperatura ambiente recomendada para el funcionamiento	-18...+50 °C	
Tipo de batería recomendado	L18...	
Cargador recomendado	AL18G, BL1...	

Información sobre ruido

Los valores evaluados se determinan conforme a la norma EN 62841. Habitualmente, los niveles de ruidos ponderados A de la herramienta son:

Nivel de presión acústica / Incertidumbre
 Nivel de potencia acústica / Incertidumbre

$L_{pA}=81,0$ dB (A) / $K_{pA}=3$ dB(A)
 $L_{WA}=92,0$ dB (A) / $K_{WA}=3$ dB(A)

Utilice dispositivos de protección para los oídos!

Información sobre vibraciones

Valores totales de vibración (suma de vectores triaxiales) se determinan conforme a la norma EN 62841.

Valor de emisión de vibración, ah / Incertidumbre

Lijado con base de lijado
 Corte en profundidad
 Corte a ras


$a_r=7,2$ m/s² / $K=1,5$ m/s²
 $a_p=13,1$ m/s² / $K=1,5$ m/s²
 $a_n=12,4$ m/s² / $K=1,5$ m/s²

¡ADVERTENCIA!

Los valores totales de emisión de vibración declarados y los valores de emisiones de ruido declarados que se indican en este manual de instrucciones se han calculado según lo establecido en una prueba estandarizada y se pueden utilizar para comparar una herramienta con otra. Se pueden utilizar para una evaluación preliminar de exposición.

Los valores declarados de emisión de vibración y ruido representan las aplicaciones principales de la herramienta. No obstante, si la herramienta se utiliza para diferentes aplicaciones, con distintos accesorios o con un mantenimiento deficiente, la emisión de vibración y ruido podría diferir. Estas condiciones podrían aumentar significativamente los niveles de exposición sobre el periodo de funcionamiento total.

Una estimación del nivel de exposición a la vibración y el ruido debería también tenerse en cuando la herramienta está apagada o cuando funciona a baja intensidad. Estas condiciones podrían reducir significativamente el nivel de exposición sobre el periodo de funcionamiento total. Identifique cualquier medida de protección adicional para proteger al operario de los efectos de la vibración y el ruido, como el mantenimiento de la herramienta y los accesorios, mantener las manos calientes (en caso de vibración) y la organización de los patrones de trabajo.

 ¡ADVERTENCIA! Lea atentamente todas las advertencias, instrucciones y especificaciones suministradas con la herramienta, y consulte las ilustraciones. El incumplimiento de las instrucciones indicadas a continuación podría provocar una descarga eléctrica, un incendio y/o lesiones graves. Conserve estas advertencias e instrucciones para poder consultarlas posteriormente.

ADVERTENCIAS DE SEGURIDAD DE LA MULTIHERRAMIENTA

La herramienta eléctrica se debe sujetar por las superficies de agarre aisladas cuando se lleve a cabo cualquier operación en la que el accesorio de corte pueda entrar en contacto con cables eléctricos ocultos. El accesorio de corte que esté en contacto con un cable "vivo" puede transmitir corriente a las piezas metálicas de la herramienta que estén expuestas y el operador podría sufrir una descarga eléctrica.

INSTRUCCIONES ADICIONALES DE SEGURIDAD Y FUNCIONAMIENTO

Utilice siempre gafas de seguridad y una mascarilla antipolvo cuando lije, especialmente cuando lije en altura.

Se debe utilizar un respirador adecuado si se lija pintura con plomo, algunos tipos de maderas y metal para evitar respirar el polvo o aire dañino/tóxico generado.

El polvo producido durante el uso del producto puede suponer un peligro para la salud del usuario o de los transeúntes. El usuario y los transeúntes no deben tocar ni inhalar el polvo. Utilice una máscara de protección contra el polvo adecuada.

No trabaje con ningún material que pueda suponer un peligro para la salud, como por ejemplo, amianto.

Sujete la pieza de trabajo con un dispositivo de sujeción. Las piezas de trabajo mal sujetas pueden causar daños y lesiones graves.

El producto se reiniciará automáticamente si se atasca. Apague el producto inmediatamente si se atasca. No vuelva a encender el producto cuando está atascado, ya que podría generar un retroceso repentino con una elevada fuerza reactiva. Analice por qué se ha atascado el producto y rectifíquelo, prestando atención a las instrucciones de seguridad.

Quite las baterías antes de empezar ningún trabajo con el producto.

APLICACIÓN DE ACUERDO A LA FINALIDAD

La multiherramienta está diseñada para ser utilizada:


- para lijar y realizar el acabado de metal, madera, plástico o materiales similares mediante el uso de la base de lijado con las hojas de lija suministradas
- para el raspado y el corte en profundidad de metales no ferrosos, madera, plástico, cartón yeso, etc., mediante el uso de las cuchillas de corte para metales suministradas
- para realizar orificios en paredes con el fin de colocar interruptores o enchufes
- para eliminar la lechada entre azulejos

El producto está diseñado para ser utilizado en espacios interiores, en lugares secos, bien iluminados y con una ventilación adecuada.

El producto no está diseñado para ser utilizado en superficies o materiales húmedos.

Utilice el producto exclusivamente para el uso para el que fue diseñado.

ADVERTENCIAS DE SEGURIDAD DE LA BATERÍA ADICIONAL

 ¡ADVERTENCIA! Para reducir el riesgo de incendio, lesiones personales y daños al producto provocados por un cortocircuito,





nunca sumerja la herramienta, la batería ni el cargador en líquido, ni permita que un líquido fluya por su interior. Los fluidos corrosivos o conductivos, como el agua de mar, ciertos productos químicos industriales y blanqueadores o lejías que contienen, etc., Pueden causar un cortocircuito.

Al desechar baterías usadas, no deben tirarse con los residuos domésticos ni quemarse. Los distribuidores de AEG se ofrecen a recuperar baterías viejas para proteger el medioambiente.

Utilice exclusivamente cargadores AEG para cargar las baterías AEG. No utilice baterías de otros sistemas.

Nunca abra los paquetes de baterías ni los cargadores, y guárdelos únicamente en espacios secos. Mantenga las baterías y los cargadores secos en todo momento.

Las baterías que no se han utilizado durante un tiempo deberían recargarse antes de su uso.

Las temperaturas superiores a los 50 °C (122 °F) reducen el rendimiento de la batería. Evite la exposición continuada al calor o la luz solar (riesgo de sobrecalentamiento).

Los contactos de los cargadores y de la batería se deben mantener limpios.

Para una duración óptima, las baterías se tienen que cargar completamente después de su uso.

Para aprovechar al máximo la duración de la batería, desenchúfela del cargador cuando esté cargada del todo.

Para un almacenamiento de la batería superior a 30 días:

- Almacene la batería en lugar con una temperatura inferior a 27 °C y alejado de la humedad.
- Almacene la batería con un estado de carga del 30 %-50 %.
- Cada seis meses de almacenamiento, cargue la batería de forma normal.

PROTECCIÓN DE LA BATERÍA

La batería cuenta con una protección contra sobrecargas que la protege en caso de sobrecarga y ayuda a garantizar una larga vida útil.

En situaciones de estrés extremo, los componentes electrónicos de la batería desactivan el producto de forma automática. Para volver a poner en marcha el producto, apáguelo y vuelva a encenderlo. Si el producto no se vuelve a encender, puede que la batería se haya descargado por completo. Recargue la batería.

TRANSPORTE DE BATERÍAS DE LITIO

La batería de ión-litio está sujeta a la legislación sobre mercancías peligrosas.

El transporte de las baterías se tiene que realizar conforme a las provisiones y regulaciones locales, nacionales e internacionales.

- Las baterías se pueden transportar por carretera sin más requisitos adicionales.
- El transporte comercial de baterías de iones de litio por parte de terceros está sujeto a las regulaciones de bienes peligrosos. La preparación del transporte y el transporte sólo deben ser realizados por personal con la formación adecuada y el proceso debe ser supervisado por los correspondientes expertos.

Al transportar baterías:

- Asegúrese de que los terminales de contacto de la batería están protegidos y aislados para evitar cortocircuitos.
- Compruebe que la batería esté asegurada dentro del embalaje para que no se dañe con el movimiento.
- No transporte baterías con fisuras o fugas.

Para más asesoramiento, póngase en contacto con la empresa de distribución.

MANTENIMIENTO

Utilice exclusivamente accesorios AEG y piezas de recambio AEG. Si es necesario sustituir algún componente que no se haya descrito, póngase en contacto con nuestro agente de servicio de AEG (ver nuestra lista de direcciones de garantía/mantenimiento).

Si fuera necesario, se puede solicitar una vista ampliada del producto. Indique el tipo de producto y el número de serie que aparecen impresos en la etiqueta, y solicite el esquema a sus agentes de servicio locales o directamente a: Techtronic Industries GmbH, Max-Eyth-Straße 10, 71364 Winnenden, Germany.

SÍMBOLOS



Lea las instrucciones atentamente antes de poner en marcha el producto.



¡PRECAUCIÓN! ¡ADVERTENCIA! ¡PELIGRO!



Quite las baterías antes de empezar ningún trabajo con el producto.



Para reducir el riesgo de lesión o daño, evite el contacto con cualquier superficie caliente.



Utilice protecciones oculares.



Utilice protección auditiva!



Utilice una máscara de protección contra el polvo adecuada.



Utilice guantes.



No deseche los residuos de baterías, aparatos eléctricos y electrónicos como residuos municipales no clasificados. Los residuos de baterías, aparatos eléctricos y electrónicos se deben recoger de forma independiente. Los residuos de baterías, acumuladores y fuentes de luz se deben retirar de los aparatos. Consulte a sus autoridades locales o a su vendedor para obtener información sobre reciclaje y puntos de recogida. De acuerdo con lo establecido en las normativas locales, los establecimientos minoristas pueden tener la obligación de recuperar los residuos de baterías, aparatos eléctricos y electrónicos de forma gratuita. Su contribución a la hora de reutilizar y reciclar los residuos de baterías y los residuos de aparatos eléctricos y electrónicos ayuda a reducir la demanda de materias primas. Los residuos de baterías, en especial las que contienen litio, y los residuos de aparatos eléctricos y electrónicos contienen materiales valiosos que se pueden reciclar, y que podrían afectar de forma negativa al medio ambiente y a la salud humana si no se desechan de un modo medioambientalmente responsable. Si lo hubiera, elimine cualquier dato personal de los residuos de los aparatos.

n_0

Velocidad sin carga

V

Voltios



Corriente directa



Marca de conformidad europea



Marca de conformidad de Ucrania



Certificado EAC de conformidad





DADOS TÉCNICOS	BMT18
Tipo	Multi-ferramenta
Código de produção	4757 55 01 00001-999999 MJJJJ
Voltagem da bateria	18 V ---
Velocidade em vazio	10000-20000 min ⁻¹
Ângulo de oscilação para a direita/esquerda	1,6/1,6°
Peso (sem a bateria)	1,04 kg
Peso de acordo com o procedimento EPTA 01/2014 (iões de lítio de 2,0 Ah ... 9,0 Ah)	1,46 ... 2,19 kg
Temperatura de funcionamento ambiente recomendada	-18...+50 °C
Tipo de bateria recomendada	L18...
Carregador recomendado	AL18G, BL1...

Informação sobre ruído

Valores medidos determinados de acordo com a norma EN 62841. Em geral, os níveis de ruído do produtos ponderados a A são:

Nível de pressão sonora/Incerteza

Nível de potência sonora/Incerteza

Use protecção para os ouvidos!

$L_{pA}=81,0$ dB (A) / $K_{pA}=3$ dB(A)

$L_{WA}=92,0$ dB (A) / $K_{WA}=3$ dB(A)

Informações sobre vibração

Os valores totais de vibração (soma de vetores triaxiais) determinados de acordo com a norma EN 62841.

Valor da emissão de vibrações/Incerteza

Lixar com painel de lixa

Cortar em profundidade

Cortes à face

$a_r=7,2$ m/s² / $K=1,5$ m/s²

$a_p=13,1$ m/s² / $K=1,5$ m/s²

$a_n=12,4$ m/s² / $K=1,5$ m/s²

⚠️ ADVERTÊNCIA!

Os valores de vibração totais declarados e o nível de emissão de ruído dado nesta ficha de informações foi medido de acordo com um teste normalizado e pode ser utilizado para fazer comparações entre ferramentas. Podem ser utilizados para uma avaliação preliminar da exposição.

O nível declarado de emissão de vibrações e ruído representa as aplicações principais da ferramenta. Contudo, se a ferramenta for utilizada para várias aplicações, com diferentes acessórios ou se receber manutenção insuficiente, a emissão de vibrações e ruído pode ser diferente. Estas condições podem aumentar significativamente o nível de exposição ao longo do período total de trabalho.

Uma estimativa do nível de exposição às vibrações e ruído deverá também levar em conta os tempos que a ferramenta está desligada ou que está a funcionar mas sem estar a ser utilizada para trabalho. Estas condições podem reduzir significativamente o nível de exposição ao longo do período total de trabalho.

Identifique medidas de segurança adicionais para proteger o operador dos efeitos da vibração e ruído, tal como a manutenção da ferramenta e dos acessórios, manter as mãos quentes (em caso de vibração) e organizar padrões de trabalho.

⚠️ ADVERTÊNCIA! Leia todas as instruções dos avisos de segurança, as ilustrações e as especificações técnicas fornecidas com este produto. O incumprimento de todas as instruções indicadas abaixo poderá resultar em choques elétricos, incêndios e/ou ferimentos graves. Conserve estas advertências e instruções para que possa consultá-las mais tarde.

AVISOS DE SEGURANÇA DA MULTI-FERRAMENTA

Quando executar uma operação onde o acessório de corte possa entrar em contacto com fios condutores ocultos, agarre a ferramenta elétrica pelas superfícies de preensão isoladas. O acessório de corte que entre em contacto com um fio "ligado" pode tornar as peças de metal da ferramenta eléctrica condutivas e tal pode causar um choque eléctrico ao operador.

INSTRUÇÕES DE SEGURANÇA E FUNCIONAMENTO ADICIONAIS

Use sempre óculos de protecção e uma máscara de pó ao lixar, especialmente, numa posição acima da cabeça.

Deve ser utilizado um respirador adequado ao lixar tinta à base de chumbo, algumas madeiras e metais para evitar respirar o pó ou ar nocivo/tóxico.

O pó produzido ao utilizar o produto pode ser nocivo para a saúde do operador e terceiros. O operador e terceiros não devem tocar nem inalar o pó. Use uma Wear a suitable dust protection mask.

Não manipule quaisquer materiais que sejam prejudiciais para a saúde, como, por exemplo, amianto.

Fixe a peça de trabalho com um dispositivo de fixação. As peças de trabalho mal presas podem causar danos e lesões graves.

Se o produto entrar em paragem espontânea, irá recomear a funcionar automaticamente. Desligue imediatamente o produto

se entrar em paragem espontânea. Não volte a ligar o produto no interruptor enquanto o produto ainda estiver em paragem espontânea, porque isso poderá causar um ressalto súbito, com uma grande força de reacção. Descubra o problema que fez o produto entrar em paragem espontânea e corrija-o, certificando-se de que cumpre todas as instruções de segurança.

Antes de fazer quaisquer trabalhos de manutenção ou limpeza ao produto, desmonte o conjunto de baterias.

USO PREVISTO

A multi-ferramenta destina-se a ser utilizada para:

- lixar e proceder ao acabamento de metal, madeira, plásticos ou materiais similares, utilizando o painel de lixa com as folhas de lixa abrasiva do formato fornecido
- raspar e realizar cortes em profundidade em metal não ferroso, madeira, plásticos, estuque, etc., utilizando as lâminas de corte metálicas fornecidas
- perfurar em paredes para a colocação de interruptores ou tomadas
- remover argamassa entre revestimentos cerâmicos

O produto destina-se a ser utilizado em espaços interiores secos, bem iluminados e adequadamente ventilados.

O produto não se destina a ser utilizado em materiais ou superfícies molhados.

Utilize o produto exclusivamente para o uso para o qual foi concebido.

AVISOS DE SEGURANÇA ADICIONAIS DAS BATERIAS

⚠️ ADVERTÊNCIA! Para reduzir o risco de incêndio, ferimentos pessoais e danos ao produto causados por curto-circuito, nunca coloque o conjunto de baterias ou a ferramenta dentro de



qualquer líquido, nem deixe que sejam penetrados por qualquer líquido! Líquidos corrosivos ou condutivos como água salgada, determinadas substâncias químicas ou produtos que contenham branqueadores podem causar um curto-circuito.

Não deite fora baterias usadas juntamente com o lixo doméstico nem queimando-as. Os Distribuidores AEG estão disponíveis para recolher baterias velhas, para proteger o meio-ambiente.

Utilize apenas carregadores AEG para carregar unidades de bateria AEG. Não utilize conjuntos de baterias de outros sistemas.

Nunca force a abertura das unidades de baterias nem de carregadores e guarde apenas em divisões secas. Mantenha as unidades de bateria e carregadores secos em todas as circunstâncias.

Conjuntos de baterias que tenham estado algum tempo sem serem utilizados devem ser recarregados antes de serem utilizados.

Temperaturas acima de 50 °C (122 °F) reduzem o desempenho do conjunto de baterias. Evite a exposição prolongada ao calor ou à luz solar direta (risco de sobreaquecimento).

Os contactos dos carregadores e unidades de bateria devem ser mantidos limpos.

Para assegurar a máxima vida útil, os conjuntos de baterias têm obrigatoriamente de ser totalmente carregados depois de serem utilizados.

Para obter a máxima vida útil da bateria, desmonte o conjunto de baterias do carregador quando estiver totalmente carregado.

Para um armazenamento da bateria superior a 30 dias:

- Armazene a bateria num local em que a temperatura seja inferior a 27 °C e afastada da humidade.
- Guarde as baterias num estado de carregamento de 30%-50%.
- A cada seis meses de armazenamento, carregue a bateria normalmente.

PROTEÇÃO DA BATERIA

A bateria tem uma proteção de sobrecarga que a protege e ajuda a garantir uma vida útil prolongada.

Em condições de tensão extrema, os componentes eletrónicos da bateria desligam o produto automaticamente. Para reiniciar, desligue o produto e ligue-o novamente. Se o produto não ligar novamente, a bateria poderá estar completamente descarregada. Recarregue a bateria.

TRANSPORTE DE BATERIAS DE LÍTIU

A bateria de ião de lítio está sujeita à legislação de mercadorias perigosas.

O transporte dessas baterias tem de ser feito de acordo com as disposições e os regulamentos locais, nacionais e internacionais.

- As baterias podem ser transportadas por via rodoviária sem mais equipamentos.
- O transporte comercial de baterias de iões de lítio por terceiros está sujeito à regulamentação de Mercadorias Perigosas. A preparação do transporte e o transporte apenas devem ser realizados por pessoal com a formação adequada e o processo deve ser supervisionado pelos especialistas correspondentes.

Quando transportar baterias:

- Assegure-se que os terminais de contacto da bateria estão protegidos e isolados para evitar curto-circuitos.
 - Utilize materiais de embalagem para se certificar de que o conjunto de baterias está acondicionado de forma segura, contra movimentos ou quedas.
 - Não transporte baterias com fissuras ou fugas.
- Contacte a empresa transitária para mais aconselhamento.

MANUTENÇÃO

Utilize apenas acessórios AEG e sobresselentes AEG. Se for necessário substituir componentes que não foram descritos, entre em contacto com um dos nossos agentes de assistência técnica AEG (consulte a nossa lista de moradas de assistência técnica/garantia).

Se necessário, pode ser encomendado um diagrama mostrando o produto em perspetiva ampliada. Indique o tipo de produto e o número de série impresso na etiqueta e solicite o diagrama no seu agente local ou diretamente em: Techtronic Industries GmbH, Max-Eyth-Straße 10, 71364 Winnenden, Germany.

SÍMBOLOS



Leia atentamente as instruções antes de ligar o produto.



ATENÇÃO! ADVERTÊNCIA! PERIGO!



Antes de fazer quaisquer trabalhos de manutenção ou limpeza ao produto, desmonte o conjunto de baterias.



Para reduzir o risco de ferimentos ou de danos, evite o contacto com qualquer superfície quente.



Use proteção para os olhos.



Sempre use a protecção dos ouvidos.



Use uma Wear a suitable dust protection mask.



Use luvas.



Não elimine baterias, pilhas, equipamentos elétricos e eletrónicos juntamente com resíduos municipais não separados. Os resíduos de baterias, pilhas e equipamentos elétricos e eletrónicos devem ser recolhidos separadamente. Os resíduos de acumulares de baterias, pilhas e fontes de luz têm de ser retirados do equipamento. Consulte a sua autoridade local ou retalhista para obter aconselhamento sobre reciclagem e pontos de recolha. De acordo com os regulamentos locais, os retalhistas têm a obrigação de receber os resíduos de baterias, pilhas e equipamentos elétricos e eletrónicos livres de encargos. O seu contributo para reutilizar e reciclar os resíduos de equipamentos elétricos e eletrónicos ajuda a reduzir a procura de matérias-primas. As baterias e pilhas usadas, em particular, contêm lítio e os resíduos de equipamentos elétricos e eletrónicos contêm materiais recicláveis preciosos, que podem afetar negativamente o meio ambiente e a saúde humana se não forem eliminados de uma forma ambientalmente compatível. Elimine os dados pessoais dos equipamentos, se existirem.

n_0

Velocidade em vazio

V

Tensão



Corrente directa



Marca europeia de conformidade



Marca ucraniana de conformidade



Marca de conformidade EurAsian



TECHNISCHE GEGEVENS	BMT18
Type	Multi-gereedschap
Productiecode	4757 55 01 00001-999999 MJJJJ
Accuspanning	18 V ===
Onbelast toerental	10000-20000 min ⁻¹
Oscillatiehoek links/rechts	1,6/1,6°
Gewicht (zonder batterij)	1,04 kg
Gewicht volgens EPTA-procedure 01/2014 (2,0 Ah ... 9,0 Ah Li-Ion)	1,46 ... 2,19 kg
Aanbevolen omgevingstemperatuur tijdens gebruik	-18...+50 °C
Aanbevolen accutype	L18...
Aanbevolen oplader	AL18G, BL1...

Informatie over geluidshinder

Gemeten geluidswaarden bepaald conform EN 62841. De A-gewogen geluidsniveaus van het gereedschap zijn normaliter:

Geluidsdrukniveau/onzekerheid

Geluidsvermogensniveau/onzekerheid

Draag gehoorbescherming!

$L_{pA}=81,0 \text{ dB (A)} / K_{pA}=3 \text{ dB(A)}$

$L_{wA}=92,0 \text{ dB (A)} / K_{wA}=3 \text{ dB(A)}$

Gegevens geluid/trilling

Trillingstotaalwaarden (triaxiale vectorsom) bepaald volgens EN 62841.

Trillingsemisiewaarde/onzekerheid

Schuren met schuurzool

Invallend snijden

Gelijk snijden

$a_r=7,2 \text{ m/s}^2 / K=1,5 \text{ m/s}^2$

$a_n=13,1 \text{ m/s}^2 / K=1,5 \text{ m/s}^2$

$a_n=12,4 \text{ m/s}^2 / K=1,5 \text{ m/s}^2$

⚠ WAARSCHUWING!

Het gespecificeerde totale trillingswaarden en geluidsemisiewaarden in deze instructiehandleiding zijn gemeten overeenkomstig een gestandaardiseerde test en kunnen worden gebruikt om gereedschappen met elkaar te vergelijken. Ze kunnen worden gebruikt voor een voorafgaande beoordeling van blootstelling.

De gespecificeerde trillings- en geluidsemisiewaarden vertegenwoordigen de belangrijkste toepassingen van het gereedschap. Als het gereedschap echter voor andere toepassingen of met andere accessoires wordt gebruikt/slecht wordt onderhouden, kunnen de trillings- en geluidsemisiewaarden afwijken. Deze omstandigheden kunnen het blootstellingsniveau over de gehele gebruiksperiode aanzienlijk verhogen.

Een schatting van het niveau van blootstelling aan trillingen en geluid dient ook rekening te houden met de perioden dat het gereedschap is uitgeschakeld of is ingeschakeld maar niet wordt gebruikt. Deze omstandigheden kunnen de blootstellingsniveaus over de gehele gebruiksperiode aanzienlijk verhogen.

Stel aanvullende veiligheidsmaatregelen vast om de gebruiker te beschermen tegen de effecten van trillingen en geluid, zoals onderhoud van het gereedschap en de accessoires, het warm houden van de handen (in geval van trillingen) en het organiseren van werkpatronen.

⚠ WAARSCHUWING! Lees alle veiligheidsinstructies, illustraties en specificaties die met dit product worden meegeleverd. Het niet opvolgen van alle hieronder genoemde instructies kan leiden tot elektrische schokken, brand en/of ernstig letsel. Bewaar deze waarschuwingen en voorschriften zorgvuldig om ze ook later te kunnen zien.

VEILIGHEIDSWAARSCHUWINGEN VOOR HET MULTI-GEREEDSCHAP

Houd het apparaat vast bij de geïsoleerde handgrepen tijdens werkzaamheden waar het zaagaccessoire in contact kan komen met onzichtbare bedrading. Wanneer de accessoire een spanningvoerende leiding raakt, kunnen de blootgestelde onderdelen van de machine onder spanning komen waardoor de gebruiker wordt geëlektrocutteerd.

AANVULLENDE VEILIGHEIDS- EN WERKINSTRUCTIES

Draag altijd een veiligheidsbril en een stofmasker tijdens het schuren, in het bijzonder bij bovenhands schuren.

Bij het schuren van loodverf, sommige houtsoorten en metaal moet een geschikt ademhalingsmasker worden gedragen om te voorkomen dat schadelijk/giftig stof of lucht wordt ingeademd.

De stof die bij het gebruik van het product vrijkomt, kan een gevaar vormen voor de gezondheid van de operator en omstanders. De operator en omstanders dienen de stof niet aan te raken of in te ademen. Draag een geschikt stofmasker.

Bewerk geen materialen die een gevaar vormen voor de gezondheid, zoals asbest.

Klem het werkstuk met een klem vast. Werkstukken die niet zijn vastgeklemd kunnen ernstige letsel en schade veroorzaken.

Het product wordt automatisch opnieuw gestart als het tot stilstand komt. Schakel het product onmiddellijk uit zodra het tot stilstand komt. Schakel het product niet opnieuw in terwijl het nog bezig is om tot stilstand te komen, aangezien dit een plotselinge terugslag met een hoge reactieve kracht kan veroorzaken. Bepaal waarom het product is stil gevallen en corrigeer dit overeenkomstig de veiligheidsinstructies.

Verwijder de accu voordat u werkzaamheden aan het product uitvoert.

VOORGESCHREVEN GEBRUIK VAN HET SYSTEEM

Het multi-gereedschap is bedoeld om gebruikt te worden voor:

- het schuren en afwerken van metaal, hout, plastic of vergelijkbare materialen met behulp van de meegeleverde schuurzool en gevormde schuurvellen.
- het schrappen en invallend zagen in non-ferro metaal, hout, kunststof, gipsplaat, enz. met behulp van de meegeleverde metalen snijbladen.
- het snijden van gaten in muren om schakelaars of stopcontacten te plaatsen.
- het verwijderen van voegmateriaal tussen keramische tegels.

Het product is bedoeld om binnen gebruikt te worden in droge, goed verlichte en gepast geventileerde omstandigheden.

Het product is niet bedoeld om te worden gebruikt op natte materialen of oppervlakken.

Gebruik het product niet voor andere doeleinden dan waarvoor het is bestemd.





EXTRA WAARSCHUWINGEN BATTERIJVEILIGHEID

⚠ WAARSCHUWING! Dompel de accu of oplader nooit onder in vloeistof en laat er nooit vloeistof instromen, om het risico op brand, persoonlijk letsel en productschade door kortsluiting te vermijden. Corrosieve of geleidende vloeistoffen zoals zout water, bepaalde chemicaliën, bleekmiddelen of producten die bleekmiddelen bevatten, kunnen een kortsluiting veroorzaken.

Gooi gebruikte accu's niet weg met het huishoudelijk afval of verbrand ze niet. AEG Distributors nemen oude accu's terug ter bescherming van ons milieu.

Gebruik uitsluitend AEG-opladers voor het opladen van AEG-accu's. Gebruik geen accu's van andere systemen.

Breek accu's en opladers nooit open en bewaar ze uitsluitend in droge ruimtes. Bewaar accu's en opladers te allen tijde droog.

Accu's die lange tijd niet gebruikt zijn, dienen voor gebruik opnieuw opgeladen te worden.

De prestatie van de accu vermindert bij temperaturen boven de 50°C. Vermijd langdurige blootstelling aan hitte of zonlicht (gevaar van oververhitting).

De contacten van opladers en accu's moeten schoon worden gehouden.

Voor een optimale levensduur dient de accu na gebruik volledig opgeladen te worden.

Haal de accu uit de oplader nadat hij volledig opgeladen is, om voor een zo lang mogelijke levensduur te zorgen.

Voor langer dan 30 dagen opslaan van accu's:

- Bewaar de accu op een plaats waar de temperatuur lager is dan 27°C en uit de buurt van vocht.
- Bewaar accu's in een 30% -50% opgeladen toestand.
- Laad opgeslagen accu's zoals gewoonlijk om de zes maanden.

BESCHERMING VAN ACCU

De accu heeft een beveiliging tegen overbelasting. Deze beschermt tegen een te hoge lading en helpt een lange levensduur te garanderen.

Bij extreme belasting schakelt de accu-elektronica het apparaat automatisch uit. Schakel om te herstarten het apparaat uit en vervolgens weer in. Als het product niet opnieuw opstart, is de accu mogelijk volledig leeg. Laad het batterijpak op.

VERVOEREN VAN LITHIUM BATTERIJEN

De lithium-ionaccu is onderworpen aan de wetgeving inzake gevaarlijke stoffen.

Vervoer van de accu's is geregeld volgens plaatselijke, nationale en internationale voorwaarden en regelgeving.

- Accu's kunnen zonder verdere vereisten over de weg worden vervoerd.
- Commercieel vervoer van lithium-ion-accu's door derde partijen is onderhevig aan regelgeving voor gevaarlijke stoffen. De voorbereidingen voor het transport en het transport zelf mag uitsluitend worden uitgevoerd door personeel dat vakkundig werd opgeleid en het proces moet worden begeleid door overeenkomstige experts.

Tijdens het vervoeren van accu's:

- Zorg ervoor dat de batterijcontactterminals beschermd en geïsoleerd zijn om kortsluiting te voorkomen.
- Zorg ervoor dat de accu niet kan verschuiven binnen de verpakking.
- Geen gekraakte of lekkende accu's vervoeren.

Controleer bij het doorsturende bedrijf voor verder advies.

ONDERHOUD

Gebruik alleen accessoires en reserveonderdelen van AEG. Als er onderdelen vervangen moeten worden die niet omschreven zijn, neem dan contact op met een van onze medewerkers van AEG-serviceonderhoud (zie onze lijst van garantie-/serviceonderhoudsadressen).

Eventueel kunt u een onderdelenoverzicht van het apparaat bestellen. Vermeld het producttype en het serienummer dat op het etiket staat en bestel het overzicht bij uw lokale serviceagent of direct bij: Techtronic Industries GmbH, Max-Eyth-Straße 10, 71364 Winnenden, Germany.

SYMBOLEN



Lees de instructies zorgvuldig door alvorens het apparaat in gebruik te nemen.



LET OP! WAARSCHUWING! GEVAAR!



Verwijder de accu voordat u werkzaamheden aan het product uitvoert.



Vermijd contact met alle hete oppervlakken om het risico op letsel of schade te beperken.



Draag oogbescherming.



Draag oorbeschermers.



Draag een geschikt stofmasker.



Draag handschoenen.



Gooi afgedankte elektrische en elektronische apparatuur niet weg als ongesorteerd gemeentelijk afval. Afgedankte elektrische en elektronische apparatuur moet afzonderlijk worden ingezameld. Afvalbatterijen, afvalaccu's en lichtbronnen moeten uit de apparatuur worden verwijderd. Neem contact op met uw gemeente of winkelier voor advies over recycling en het inzamelpunt. Volgens de plaatselijke voorschriften kunnen winkeliers verplicht zijn afgedankte elektrische en elektronische apparatuur kosteloos terug te nemen. Uw bijdrage aan hergebruik en recycling van afgedankte batterijen en afgedankte elektrische en elektronische apparatuur helpt de vraag naar grondstoffen te verminderen. Afgedankte batterijen, in het bijzonder deze die lithium bevatten, en afgedankte elektrische en elektronische apparatuur bevatten waardevolle en recycleerbare materialen, die een negatief effect kunnen hebben op het milieu en de volksgezondheid, indien ze niet op een milieuvriendelijke manier worden verwijderd. Verwijder eventuele persoonlijke gegevens van afgedankte apparatuur.

n_o

Onbelast toerental

V

Spanning



Gelijdstroom



CE-markering



Oekraïens conformiteitskeurmerk



EurAsian-symbool van overeenstemming





TEKNISKE DATA		BMT18
Type	Multiværktøj	
Produktionskode	4757 55 01 00001-999999 MJJJJ	
Batterispænding	18 V ---	
Tomgangshastighed	10000-20000 min ⁻¹	
Svingningsvinkel til venstre/højre	1,6/1,6°	
Vægt (uden batteri)	1,04 kg	
Vægt i henhold til EPTA-procedure 01/2014 (2,0 Ah ... 9,0 Ah Li-ion)	1,46 ... 2,19 kg	
Anbefalet omgivende arbejdstemperatur	-18...+50 °C	
Anbefalet batteritype	L18...	
Anbefalet oplader	AL18G, BL1...	

Information om støj

Målte værdier i henhold til EN 62841. Typisk er de A-vægtede støjniveauer for værktøjet:

Lydtryksniveau/Usikkerhed

Lydeffektniveau/Usikkerhed

Bær høreværn!

$L_{pA}=81,0$ dB (A) / $K_{pA}=3$ dB(A)

$L_{wA}=92,0$ dB (A) / $K_{wA}=3$ dB(A)

Information om vibration

De samlede vibrationsværdier (triaksial vektorsum) i henhold til EN 62841.

Vibrationsemissionsværdi/Usikkerhed

Slibning med slibepude

Dykskæring

Niveauskæring

$a_n=7,2$ m/s² / $K=1,5$ m/s²

$a_n=13,1$ m/s² / $K=1,5$ m/s²

$a_n=12,4$ m/s² / $K=1,5$ m/s²

⚠ ADVARSEL

Vibrations- og støjemissionsværdierne, der er angivet i denne vejledning er målt i overensstemmelse med en standardiseret test og kan bruges til at sammenligne et værktøj med et andet. De kan bruges til en foreløbig vurdering af udsættelse.

De angivne vibrations- og støjemissionsværdier repræsenterer værktøjets hovedanvendelser. Hvis værktøjet imidlertid anvendes til andre formål med forskelligt tilbehør eller er dårligt vedligeholdt, kan vibrations- og lydmissionen afvige. Disse forhold kan i væsentlig grad forøge udsættelsesniveauerne over den samlede arbejdsperiode.

Et overslag over udsættelsesniveauet for vibrationer og støj bør også tage højde for de gange, hvor værktøjet er slukket, eller når det kører i tomgang. Disse forhold kan i betragteligt omfang reducere udsættelsesniveauet over den samlede arbejdsperiode.

Find yderligere sikkerhedsforanstaltninger, der kan beskytte operatøren mod virkningerne af vibrationer og støj, såsom vedligeholdelse af værktøjet og tilbehøret, holde hænderne varme (i tilfælde af vibrationer) og organisering af arbejdsmønstre.

⚠ ADVARSEL! Læs alle omhyggeligt alle advarsler, anvisninger og specifikationer, som følger med maskinen, og studer illustrationerne. Manglende overholdelse af alle nedenstående instruktioner kan resultere i elektrisk stød, brand og/eller alvorlig personskade. Gem vejledningen med advarsler og anvisninger til senere opslag.

SIKKERHEDSADVARSLER FOR MULTIVÆRKTØJ

Hold kun på elværetøjet på de isolerede gribeblader, fordi skæretilbehøret evt. kan komme i berøring med skjulte ledninger. Hvis der skæres i en strømførende ledning, kan det gøre udsatte metaldele af maskinværktøjet strømførende og give operatøren elektrisk stød.

YDERLIGERE SIKKERHEDS- OG ARBEJDSINSTRUKTIONER

Brug altid sikkerhedsbriller og en støvmaske ved slibning, især slibning over hovedhøjde.

Du skal bære et passende åndedrætsværn under slibning af blymaling, nogle trætyper og metal for at undgå indånding af skadeligt/giftigt støv eller luft.

Det støv, der genereres ved brug af produktet, kan udgøre en sundhedsfare for operatøren og tilskuere. Operatør og tilskuere må ikke berøre eller inhalere støvet. Bær en passende støvbeskyttelsesmaske.

Bearbejd ikke materialer, der udgør en sundhedsfare f.eks. asbest.

Emnet skal fastspændes med en fastspændingsanordning. Ikke-spændte emner kan forårsage alvorlige (person)skader.

Produktet genstarter automatisk, hvis det er gået i stå. Sluk straks for produktet, hvis det går i stå. Tænd ikke for produktet igen, mens det er gået i stå, fordi det kunne udløse et pludseligt tilbageslag med en høj reaktiv kraft. Slå fast, hvorfor produktet

gik i stå, og foretag udbedring af dette, og tag samtidig højde for sikkerhedsanvisningerne.

Fjern batteripakken inden start af arbejde på produktet.

TILTÆNKT ANVENDELSESFORMÅL

Multiværktøjet er beregnet til følgende brug:

- Til slibning og overfladebehandling af metal, træ, plast eller tilsvarende materialer ved brug af de slibepuder med de formede ark, der medfølger.
 - til skrabning og dykskæring i ikke-jernholdige metaller, træ, plast, gipsplader osv. ved hjælp af de medfølgende metalskærebåde
 - til skæring af huller i vægge, der kan indeholde kontakter eller stikkontakter
 - til fjernelse af fugning mellem keramiske fliser
- Produktet er beregnet til at blive betjent indendørs under tørre, godt belyste og tilstrækkeligt ventilerede forhold.

Produktet er ikke beregnet til brug på våde materialer eller overflader.

Må ikke bruges til andre formål.

YDERLIGERE SIKKERHEDSADVARSLER OM BATTERI

⚠ ADVARSEL! For at nedsætte risikoen for brand, personskade og produktbeskadigelse på grund af kortslutning må dit redskab, batteripakke eller oplader aldrig nedsænkes i en væske, ligesom væsker ikke må flyde ind i dem. Sørg ligeledes for, at der ikke trænger væske ind i enhederne og batterierne. Korroderende eller ledende væsker, f.eks. saltvand, bestemte kemikalier, blegestoffer eller produkter, som indeholder blegestoffer, kan forårsage kortslutning.

Brugte batterier må ikke bortskaffes som husholdningsaffald eller afbrændes. AEG's forhandlere tilbyder at modtage gamle batterier for at beskytte miljøet.



Brug kun AEG ladere til opladning af AEG batteripakker. Brug ikke batteripakker fra andre systemer.

Åbn aldrig batteripakker og ladere. De må kun opbevares under tørre forhold. Hold altid batteripakker og ladere tørre.

Batteripakker, der ikke er brugt i et stykke tid, skal genoplades inden brug.

Temperaturer på mere end 50° C nedsætter batteripakkens ydelse. Undgå lang tids udsættelse for varme eller sol (risiko for overophedning).

Opladeres og batteripakkers kontakter skal holdes rene.

For at opnå en optimal levetid for batteripakker skal de oplades fuldstændigt efter brug.

For at opnå længst muligt batterilevetid skal batteripakken fjernes fra laderen, når den er fuldt opladet.

Ved opbevaring af batterier længere end 30 dage:

- Opbevar batteriet på et tørt sted med temperaturer under 27 ° C.
- Opbevar batterierne i en 30% -50% opladet tilstand.
- Hvert halve år under opbevaring, skal pakken oplades som normalt.

BESKYTTELSE AF BATTERIPAKKEN

Batteripakken har overbelastningsbeskyttelse, der beskytter den mod overbelastning og hjælper med at sikre en lang levetid.

Ved ekstrem belastning slukker batterielektronikken automatisk for produktet. For at genstarte slukkes produktet og tændes derefter igen. Hvis produktet ikke starter igen, kan batteripakken være helt afladet. Genoplad batteripakken.

TRANSPORT AF LITHIUM-BATTERIER

Lithium-ion-batteriet er omfattet af lovgivningen om farligt gods.

Transport af de batterier skal foretaget i overensstemmelse med lokale, nationale og internationale forskrifter og forordninger.

- Batterier kan transporteres på offentlig vej uden yderligere krav.
- Kommerciel transport af lithium-ion-batterier foretaget af tredjeparter er underlagt forordninger om farligt gods. Forberedelse af transport og selve transporten må kun forestås af behørigt uddannet personale, og processen skal ledsages af relevante fagfolk.

Ved transport af batterier:




- Kontrollér, at batteriets kontaktklemmer er beskyttet og isoleret for at forebygge kortslutning.
- Sørg for, at batteripakken er sikret mod bevægelse inden i emballagen.
- Undlad at transportere batterier med revner eller utætheder. Rådfør dig desuden hos speditøren.











VEDLIGEHOLDELSE

Brug kun AEG-tilbehør og AEG-reservedele. Hvis komponenter, der ikke er blevet beskrevet, skal udskiftes, så kontakt et af vores AEG servicecentre (se vores liste over garanti-/serviceadresser).

Om nødvendigt kan der bestilles en eksploderet visning af produktet. Angiv produkttypen og serienummeret, der er trykt på etiketten, og bestil tegningen hos dine lokale serviceagenter eller direkte på: Techronic Industries GmbH, Max-Eyth-Straße 10, 71364 Winnenden, Germany.

SYMBOLER

	Læs anvisningerne omhyggeligt inden du starter produktet.
	FORSIGTIG! ADVARSEL! FARE!
	Fjern batteripakken inden start af arbejde på produktet.

	Undgå kontakt med varme overflader for at mindske risikoen for person- eller tingsskader.
	Brug øjenbeskyttelse.
	Bær høreværn.
	Bær en passende støvbeskyttelsesmaske.
	Bær handsker.
	Bortskaf ikke brugte batterier, elektriske dele og elektronisk udstyr som usorteret kommunalt affald. Brugte batterier, kasserede elektriske dele og elektronisk udstyr skal indsamles separat. Brugte batterier, affaldsakkumulatorer og lyskilder skal fjernes fra udstyret. Kontakt din lokale myndighed eller forhandler for rådgivning om genbrug og indsamlingssted. Ifølge lokale bestemmelser er detailhandlere måske forpligtede til gratis at tage kasserede batterier, elektriske dele og elektronisk udstyr retur til bortskaffelse. Dit bidrag til genbrug og genanvendelse af brugte batterier, kasserede elektriske dele og elektronisk udstyr bidrager til at reducere efterspørgslen efter råmaterialer. Kasserede batterier, navnlig indeholdende lithium, og kasserede elektriske dele og elektronisk udstyr indeholder værdifulde og genanvendelige materialer, som kan have en negativ indvirkning på miljøet og menneskers sundhed, hvis det ikke bortskaffes på en miljøvenlig måde. Slet persondata fra eventuelt kasseret udstyr.
n_o	Tomgangshastighed
V	Spænding
	Direkte strøm
	Europæisk overensstemmelsesmærkning
	Ukrainsk overensstemmelsesmærkning
	EurAsian overensstemmelsesmærke



TEKNISKE DATA	BMT18
Type	Multiverktøy
Produksjonskode	4757 55 01 00001-999999 MJJJJ
Batterispenning	18 V ---
Hastighet ubelastet	10000-20000 min ⁻¹
Oscilleringsvinkel venstre/høyre	1,6/1,6°
Vekt (uten batteri)	1,04 kg
Vekt i henhold til EPTA-prosedyren 01/2014 (2,0 Ah ... 9,0 Ah li-ion)	1,46 ... 2,19 kg
Anbefalt omgivelsestemperatur ved drift	-18...+50 °C
Anbefalt batteritype	L18...
Anbefalt lader	AL18G, BL1...

Informasjon om støy

Målte verdier bestemt i henhold til EN 62841. De A-klassifiserte støynivåene til verktøyet er vanligvis:

Lydtrykknivå / Usikkerhet

Lydeffektnivå / Usikkerhet

Bruk hørselsvern!

$L_{pA}=81,0 \text{ dB (A)} / K_{pA}=3 \text{ dB(A)}$

$L_{WA}=92,0 \text{ dB (A)} / K_{WA}=3 \text{ dB(A)}$

Informasjon om vibrasjon

Totale vibrasjonsverdier (triaksial vektorsum) bestemt i henhold til EN 62841:

Verdien på utslippet fra vibreringen / Usikkerhet

Pushing med sandpapirpute

Plogskjæring

Flat kutting

$a_n=7,2 \text{ m/s}^2 / K=1,5 \text{ m/s}^2$

$a_n=13,1 \text{ m/s}^2 / K=1,5 \text{ m/s}^2$

$a_n=12,4 \text{ m/s}^2 / K=1,5 \text{ m/s}^2$

⚠ ADVARSEL!

De erklærte totale vibrasjonsverdiene og de erklærte støytuslippetsverdier gitt i denne brukerhåndboken har blitt målt i samsvar med en standardisert test og kan brukes til å sammenligne ett verktøy med ett annet. De kan brukes for en preliminær vurdering av eksponering.

De opplyste vibrasjons- og støytuslippetsverdier representerer verktøyets hovedbruksområder. Men hvis verktøyet brukes til ulike bruksområder, brukes med ulike tilbehør eller vedlikeholdet er dårlig, kan vibrasjons- og støytuslipp være forskjellig. Disse forholdene kan øke eksponeringsnivået betraktelig i løpet av hele arbeidsperioden.

En vurdering av eksponeringsnivået for vibrasjon og støy skal ta hensyn til de gangene verktøyet er slått av eller går på tomgang. Disse forholdene kan betydelig redusere eksponeringsnivået over den totale arbeidsperioden.

Identifiser ytterligere sikkerhetstiltak for å beskytte operatøren mot virkningen av vibrasjon og støy, slik som å vedlikeholde verktøyet og tilbehøret, holde hendene varme (i tilfelle vibrasjon) eller organisere arbeidsmønstre.

⚠ ADVARSEL! Les alle sikkerhetsadvarsler og -instruksjoner, illustrasjoner og spesifikasjoner som følger med dette produktet.

Unnlattelse av å følge alle instruksjonene nedenfor kan føre til elektrisk støt, brann og / eller alvorlig personskade. Ta vare på disse advarslene og instruksjonene for å se i dem senere.

SIKKERHETSADVARSLER FOR MULTIVERKTØY

Hold det elektriske verktøyet etter de isolerte gripeoverflatene når det utføres en operasjon der kuttetilbehøret kan komme i kontakt med skjult kabling. Skjæreredskap som får kontakt med strømførende elektriske ledninger kan føre til at metalldelene på verktøyet blir strømførende og at brukeren kan få støt.

EKSTRA SIKKERHETS- OG ARBEIDSANVISNINGER

Bruk alltid vernebriller og støvmaske når du pusser, spesielt når du pusser over hodet.

Et egnet åndedrettsapparat må brukes under sliping av lakk, tre og metall for å unngå å puste inn skadelig/giftig støv eller luft.

Støv som produseres ved bruk av produktet, kan være helseskadelig for operatøren og personer som befinner seg i nærheten. Operatøren og andre personer i nærheten skal ikke berøre eller inhalere støvet. Bruk egnet støvbeskyttelsesmaske.

Ikke maskinbehandle noen materialer som utgjør helsefare, slik som f.eks. asbest.

Fest arbeidsstykket med en tvinge. Ikke festede emner kan påføre alvorlig personskade og materielle skader.

Produktet vil starte på nytt automatisk hvis det stopper. Slå av produktet umiddelbart hvis det stopper. Ikke slå på produktet igjen mens det fortsatt er stoppet, da dette kunne utløse en plutselig rekyll med en høy reaksjonskraft. Bestem hvorfor produktet stoppet og utbedre dette, samtidig som sikkerhetsanvisningene overholdes.

Fjern batteripakken før du starter arbeid på produktet.

FORMÅLSMESSIG BRUK

Multiverktøyet er beregnet til bruk:

- for sliping og overflatebehandling av metall, tre, plast eller lignende materialer ved bruk av slipeskivene med de formede slipearkene som medfølger.
 - for skrapping og kapping av metall, tre, plast, gipsplater etc. ved bruk av de medfølgende metalliske kappeskivene
 - for kutting av hull i vegger for å gi plass til brytere eller strømuttak
 - for å fjerne mørtel mellom keramiske fliser
- Produktet er beregnet til bruk innendørs i tørre, godt belyste og tilstrekkelig ventilerte forhold.

Produktet er ikke beregnet til bruk på våte materialer eller overflater.

Ikke bruk produktet på noe annen måte enn det som er beskrevet som tiltenkt bruk.

EKSTRA ADVARSLER FOR BATTERISIKKERHET

⚠ ADVARSEL! For å redusere risikoen for brann, personskade og produktskade på grunn av en kortslutning skal verktøyet, batteripakken eller laderen aldri senkes ned i væske, og væske skal aldri flyte inn på insiden av disse. Korroderende og ledende væsker som saltvann, visse kjemikalier og blekemidler eller produkt som inneholder blekemidler kan forårsake en kortslutning.

Ikke brenn kast brukte batterier sammen med husholdningsavfall. Skal ikke brennes. Utladde batterier kan leveres til AEG-distributører.

Bruk kun AEG-ladere for å lade AEG-batteripakker. Ikke bruk batteripakker fra andre systemer.

Bryt aldri opp batteripakker og ladere og lagre dem kun i tørre rom. Hold batteripakker og ladere tørre til enhver tid.

Batteripakker som ikke har vært brukt på en stund bør lades opp før du bruker dem.



Temperaturer over 50°C reduserer batteripakkens ytelse. Produktet må ikke utsettes for varme eller solskinn (fare for overoppheting).

Kontaktene til ladere og batteripakker må holdes rene.

Batteripakkene må lades helt opp etter bruk hvis du ønsker at de skal vare lengst mulig.

Fjern batteripakken fra laderen når det er fulladet, sånn at det varer lengst mulig.

For batteripakkelagring som er lengre enn 30 dager:

- Oppbevar batteripakken der temperaturen er under 27 °C og på avstand fra fuktighet.
- Oppbevar batteripakken ei en 30-50 % ladet tilstand.
- Etter hver sjettemåned med lagring skal pakken lades som vanlig.

BESKYTTELSE AV BATTERIPAKKEN

Batteripakken har overbelastningsvern for å beskytte den mot overbelastning og hjelper til med å sikre en lang levetid.

Under ekstrem belastning slår batterielektronikken av produktet automatisk. For å starte på nytt, slå av produktet og deretter på igjen. Hvis produktet ikke starter opp igjen, kan det hende at batteripakken kan ha ladet helt ut. Lad opp batteripakken.

TRANSPORTERE LITIUM-BATTERIER

Litium ion-batteri omfattes av lovgivning for farlig gods.

Transport av disse batteriene må gjøres i samsvar med lokale, nasjonale og internasjonale bestemmelser og forskrifter.

- Batterier kan transporteres på vei uten ytterligere krav.
- Kommersiell frakt av Lithium-Ion-batterier er underlagt bestemmelsene om transport av farlig gods. Klargjøring av transporten og transporten kan kun utføres av passende opplærte personer og prosessen må følges av tilsvarende kvalifiserte eksperter.

Iværksatt følgende tiltak når du frakter batteriene:

- Påse at batterienes kontaktterminaler er beskyttet og isolert for å hindre kortslutning.
 - Se til at batteripakken er sikret mot bevegelse inni pakningen.
 - Ikke transportert batterier som har sprekker eller lekket.
- Sjekk med transportfirmaet for ytterligere råd.




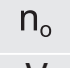





VEDLIKEHOLD

Bruk bare tilbehør og reservedeler fra AEG. Kontakt en av AEG-serviceagentene våre hvis du må erstatte deler som ikke er omtalt her (se listen over garanti/serviceadresser).

Ved behov kan en eksplodert visning av produktet bestilles. Angi produkttype og serienummer som er skrevet på etiketten og bestill tegningen ved den lokale serviceagenten eller direkte på: Techtronic Industries GmbH, Max-Eyth-Straße 10, 71364 Winnenden, Germany.

SYMBOLER

	Les anvisningene nøye før start av produktet.
	ADVARSEL! ADVARSEL! FARE!
	Fjern batteripakken før du starter arbeid på produktet.
	Unngå å komme i kontakt med varme overflater for å redusere risikoen for skade.
	Bruk vernebriller.
	Bruk hørselsvern.

	Bruk egnet støvbeskyttelsesmaske.
	Bruk vernehansker.
	Ikke kast avfallsbatterier, elektrisk og elektronisk utstyrsavfall som usortert kommunalt avfall. Avfallsbatterier og elektrisk og elektronisk utstyrsavfall må samles inn separat. Avfallsbatterier, avfallsakkumulatører og lyskilder må fjernes fra utstyret. Undersøk med de lokale myndighetene for resirkuleringsråd og innsamlingspunkt. I henhold til lokale forskrifter kan forhandlere være forpliktet til å ta tilbake avfallsbatterier, elektrisk og elektronisk utstyrsavfall gratis. Ditt bidrag til gjenbruk av og gjenvinning av avfallsbatterier og elektrisk og elektronisk utstyrsavfall bidrar til å redusere etterspørselen etter råmaterialer. Avfallsbatterier, spesielt de som inneholder litium, og elektrisk og elektronisk utstyrsavfall inneholder verdifulle og resirkulerbare materialer som kan påvirke miljøet og menneskets helse negativt, hvis de ikke blir kastet på en miljøkompatibel måte. Slett personlig data fra utstyrsavfall, om noen.
	Hastighet ubelastet
	Spenning
	Likestrøm
	Europeisk samsvarsmerking
	Ukrainsk samsvarsmerking
	EurAsian Konformitetstegn



TEKNISKA UPPGIFTER	BMT18
Typ	Multiredskap
Tillverkningskod	4757 55 01 00001-999999 MJJJJ
Batterispänning	18 V ---
Tomgångshastighet	10000-20000 min ⁻¹
Svängningsvinkel vänster/höger	1,6/1,6°
Vikt (utan batteri)	1,04 kg
Vikt enligt EPTA 01/2014 (2,0 Ah ... 9,0 Ah Li-Ion)	1,46 ... 2,19 kg
Rekommenderad omgivningstemperatur vid drift	-18...+50 °C
Rekommenderad batterityp	L18...
Rekommenderad laddare	AL18G, BL1...

Ljuduppgifter

Uppmätta värden fastställda enligt EN 62841. De typiska A-viktade ljudnivåerna för verktyget är:

Ljudtrycksnivå / Osäkerhet
Ljudeffektsnivå / Osäkerhet

$L_{pA}=81,0$ dB (A) / $K_{pA}=3$ dB(A)
 $L_{wA}=92,0$ dB (A) / $K_{wA}=3$ dB(A)

Bär hörselskydd!

Vibrationsuppgifter

Totala värden för vibration (triaxiell vektorsumma) fastställda enligt EN 62841.

Emissionsvärde vibration / Osäkerhet K

Slipning med slipdyna
Instickssågning
Nivåskärning

$a_n=7,2$ m/s² / $K=1,5$ m/s²
 $a_n=13,1$ m/s² / $K=1,5$ m/s²
 $a_n=12,4$ m/s² / $K=1,5$ m/s²

⚠ ADVARSEL!

De erklärte totale vibrationsverdierna og de erklærte støytuslippetsverdierna gitt i denne brukerhåndboken har blitt målt i samsvar med en standardisert test og kan brukes til å sammenligne ett verktøy med ett annet. De kan brukes for en preliminær vurdering av eksponering.

De opplyste vibrasjons- og støytuslippetsverdierna representerer verktøyets hovedbruksområder. Men hvis verktøyet brukes til ulike bruksområder, brukes med ulike tilbehør eller vedlikeholdet er dårlig, kan vibrasjons- og støytuslipp være forskjellig. Disse forholdene kan øke eksponeringsnivået betraktelig i løpet av hele arbeidsperioden.

En vurdering av eksponeringsnivået for vibrasjon og støy skal ta hensyn til de gangene verktøyet er slått av eller går på tomgang. Disse forholdene kan betydelig redusere eksponeringsnivået over den totale arbeidsperioden.

Identifiser ytterligere sikkerhetstiltak for å beskytte operatøren mot virkningen av vibrasjon og støy, slik som å vedlikeholde verktøyet og tilbehøret, holde hendene varme (i tilfelle vibrasjon) eller organisere arbeidsmønstre.

⚠ WARNING! Studera alla säkerhetsvarningar och -instruktioner, illustrationer och specifikationer som följer med denna produkt. Underlåtenhet att följa ovanstående instruktioner till fullo kan medföra elstöt, brand och/eller allvarlig personskada. Spara dessa varningar och instruktioner för senare behov.

SÄKERHETSVARNINGAR FÖR MULTIVERKTYG

Håll elverket i de isolerade greppytorna vid utförande av ett arbete där skärtillbehöret kan komma i kontakt med döda ledningar. Vid kontakt med en strömförande kabel kan de exponerade delarna på verktyget bli strömförande och ge användaren en elektrisk stöt.

YTTERLIGARE SÄKERHETS OCH ARBETSINSTRUKTIONER

Använd alltid skyddsglasögon och mask med dammfilter vid slipning, särskilt vid slipning över huvudhöjd.

En lämplig andningsmask måste användas vid slipning av blyfärg, vissa träslag och metall för att undvika att det skadliga/giftiga dammet eller luften andas in.

Det damm som uppstår vid användningen av produkten kan utgöra en hälsofarlig för användaren och personer i närheten. Användaren och personer i närheten ska inte vidröra eller andas in dammet. Bär en lämplig dammskyddsmask.

Använd inte maskinen i material som utgör hälsofarliga, t.ex. asbest. Fäst arbetsstycket med klämanordning. Icke fastklämda arbetsstycken kan orsaka allvarliga skador och skada på egendom.

Produkten startar om automatiskt om den fått motorstopp. Stäng av produkten omedelbart om den låser sig. Slå inte på produkten igen medan den fortfarande är låst, eftersom det kan orsaka en plötslig rekyl med hög reaktionskraft. Fastställ varför produkten fick motorslopp och åtgärda detta, samtidigt som du beaktar säkerhetsanvisningarna.

Ta bort batteripaketet innan du påbörjar arbete på produkten.

ANVÄND MASKINEN ENLIGT ANVISNINGARNA

Multiverktyget är avsett att användas:

- För slipning och efterbehandling av metall, trä, plast eller liknande material med hjälp av medföljande slipdyna med de specialformade slipskiivorna.
 - För skrapning och instickssågning i icke-järnhaltiga metaller, trä, plast, gipskivor etc. med hjälp av de medföljande skärbladen av metall.
 - För att skära ut hål i väggar för strömbrytare och eluttag.
 - För att avlägsna fogmassa mellan keramiska plattor.
- Produkten är avsedd att användas inomhus under torra, väl belysta och tillräckligt ventilerade förhållanden.

Produkten är inte avsedd att användas på våta material eller ytor. Använd inte produkten på något annat sätt än vad som är avsett.

YTTERLIGARE SÄKERHETSVARNINGAR FÖR BATTERIER

⚠ WARNING! För att minska risken för brand, personskador och produktskador på grund av kortslutning, sänk aldrig ner verktyget, batteripaketet eller laddaren i vätska och låt inte vätska tränga in i dem. Korroderande eller ledande vätskor, som saltvatten, vissa kemikalier, blekningsmedel eller produkter som innehåller blekmedel, kan orsaka en kortslutning.

Kasta inte förbrukade batterier i hushållsoporna eller genom att bränna dem. AEG Distributors erbjuder sig att ta hand om gamla batterier för att skydda vår miljö.

Använd endast AEG-laddare för att ladda AEG-batteripaket. Använd inte batteripaket från andra system.

Bryt aldrig upp batteripaket eller laddare och förvara dem endast i torra utrymmen. Håll alltid batteripaket och laddare torra.





Batteripaket som inte har använts under någon tid skall laddas före användning.

Temperaturer över 50°C (122°F) minskar batteripaketets prestanda. Undvik långvarig exponering för värme eller solljus (risk för överhettning).

Laddarnas och batteripaketets kontakter måste hållas rena.

För optimal livslängd skall batteripaketet laddas upp helt och hållet efter användning.

För att få längsta möjliga batterilivslängd, avlägsna batteriet från laddaren när det är fulladdat.

För batteripaketet som förvaras längre än 30 dagar:

- Förvara batteripaketet där temperaturen är under 27 °C och i en fuktfri miljö.
- Förvara batteripaketet i ett laddningstillstånd mellan 30-50 %.
- Ladda batteripaketet som vanligt var 6:e månad.

SKYDD FÖR BATTERIPAKET

Batteripaketet har ett överbelastningskydd som skyddar det från att överbelastas och hjälper till att säkerställa lång livslängd.

Vid extrem påfrestning stänger batterielektroniken av produkten automatiskt. För att starta om produkten, stäng av den och slå på den igen. Om produkten inte startar upp igen kanske batteripaketet är helt urladdat. Återladda batteripaketet.

TRANSPORTERA LITIUMBATTERIER

Litiumionbatteriet ska hanteras som farligt gods.

Transport av dessa batterier måste ske i enlighet med lokala, nationella och internationella bestämmelser och föreskrifter.

- Batterier kan utan speciella krav transporteras på väg.
- Kommersiell transport av litium-jon-batterier genom tredje part lyder under bestämmelser om farligt gods. Transportförberedelse och transport får enbart utföras av därför utbildade personer och processen ska övervakas av motsvarande experter.

Vid transport av batterier:

- Se till att batteriernas kontaktterminaler är skyddade och isolerade så att kortslutning förhindras.
- Säkerställ att batteripaketet inte kan röra sig inuti förpackningen.
- Transportera inte batterier som är spruckna eller läcker.

Kontrollera med vidarebefordrande företag för mer information.

UNDERHÅLL

Använd endast tillbehör och reservdelar från AEG. Om komponenter som inte har beskrivits här behöver ersättas, var vänlig kontakta ett av våra AEG serviceombud (se vår förteckning över garanti-/serviceadresser).

Vid behov kan en sprängskiss av produkten beställas. Ange produkttyp och serienummer (finns tryckta på märkningen) och beställ ritningen från ditt lokala serviceombud eller direkt på: Techtronic Industries GmbH, Max-Eyth-Straße 10, 71364 Winnenden, Germany.

SYMBOLER

	Läs anvisningarna noggrant innan du startar produkten.
	OBSERVERA! VARNING! FARA!
	Ta bort batteripaketet innan du påbörjar arbete på produkten.
	För att minska risken för olycksfall och skador, undvik kontakt med heta ytor.
	Använd skyddsglasögon.

	Bär hörselskydd.
	Bär en lämplig dammskyddsmask.
	Använd handskar.
	Kassera inte uttjanta batterier, elavfall och elektronisk utrustning som restavfall. Uttjanta batterier, elavfall och elektronisk utrustning måste samlas in separat. Uttjanta batterier, uttjanta ackumulatörer och ljuskällor måste avlägsnas från utrustningen. Fråga din lokala myndighet eller återförsäljare om återvinningsråd och uppsamlingsplats. Beroende på lokala bestämmelser kan återförsäljare vara skyldiga att kostnadsfritt ta tillbaka uttjanta batterier samt elektriskt och elektroniskt avfall. Ditt bidrag till återanvändning och återvinning av uttjanta batterier samt elektriskt och elektroniskt avfall bidrar till att minska behovet av råmaterial. Uttjanta batterier, särskilt litiumbatterier, samt elavfall och elektronisk utrustning innehåller värdefulla och återvinningsbara material som kan påverka miljön och människors hälsa negativt, om de inte kasseras på ett miljömässigt sätt. Radera eventuella personuppgifter från avfallsutrustningen.
n_o	Tomgångshastighet
V	Spänning
	Likström
	CE-märkning
	Ukrainsk CE-märkning
	EurAsian överensstämmelsesymbol





TEKNISET TIEDOT

BMT18

Tyyppi	Monitoimityökalu
Valmistuskoodi	4757 55 01 000001-999999 MJJJJ
Akkujännite	18 V ---
Nopeus ilman kuormaa	10000-20000 min^{-1}
Värähtelykulma vasen/oikea	1,6/1,6°
Paino (ilman akkua)	1,04 kg
Paino EPTA-menetelystä 01/2014 mukaan (2,0 Ah ... 9,0 Ah Li-ion)	1,46 ... 2,19 kg
Suosittelun toimintalämpötila	-18...+50 °C
Suosittelun akkutyypin	L18...
Suosittelun laturin	AL18G, BL1...

Melutiedot

Mitatut arvot määritetty EN 62841 -standardin mukaan. Työkalun A-painotetut melutasot ovat tyyppillisesti:

Äänipaine / epävarmuus

Äänenteho / epävarmuus

Käytä kuulosuojaimia!

$L_{pA}=81,0 \text{ dB (A) / } K_{pA}=3 \text{ dB(A)}$

$L_{WA}=92,0 \text{ dB (A) / } K_{WA}=3 \text{ dB(A)}$

Tärinä tiedot

Tärinän kokonaisarvot (kolmiakselialisen vektorin summa) määritellyt EN 62841-standardin mukaisesti.

Tärinäpäästöarvo / epävarmuus

Hiominen hiomalaikalla

Uputussahaus

Uppoleikkaus

$a_n=7,2 \text{ m/s}^2 / K=1,5 \text{ m/s}^2$

$a_n=13,1 \text{ m/s}^2 / K=1,5 \text{ m/s}^2$

$a_n=12,4 \text{ m/s}^2 / K=1,5 \text{ m/s}^2$

VAROITUS!

Tässä ohjekäsikirjassa tärinälle annetut kokonaisarvot ja ilmoitetut melupäästöarvot on mitattu standardoidun kokeen mukaisesti, ja niitä voidaan käyttää työkalujen vertaamiseen toisiinsa. Niitä voidaan käyttää altistumisen alustavaan arvioimiseen.

Ilmoitetut tärinä- ja melupäästöarvot koskevat työkalun pääkäyttötarkoituksia. Tärinäpäästö voi kuitenkin vaihdella, jos työkalua käytetään eri käyttötarkoituksiin, eri tarvikkeilla tai huonosti huollettuna. Mainitut olosuhteet saattavat nostaa altistumistasoa huomattavasti kokonaistyöajaksi aikana.

Tärinän ja melun altistumistason arviointi tulisi ottaa huomioon myös silloin, kun työkalu on kytketty pois päältä tai kun se on käynnissä, mutta sitä ei varsinaisesti käytetä. Mainitut olosuhteet saattavat vähentää huomattavasti altistumistasoa kokonaistyöajaksi aikana.

Lisäturvatoimenpiteillä, kuten työkalun ja lisävarusteiden huoltamisella, käsien lämpimänä pitämisellä (tärinän tapauksessa) ja työmällien järjestämisellä, voit suojella käyttää tärinältä ja melulta.

VAROITUS! Lue kaikki laitteen mukana toimitetut

turvaohjeet, kuvat ja tekniset tiedot. Kaikkien seuraavien ohjeiden noudattamatta jättäminen voi aiheuttaa sähköiskun, tulipalon ja/ tai vakavan loukkaantumisen. Säilytä nämä varoitukset ja ohjeet myöhempää tarvetta varten.

MONITOIMITYÖKALUN TURVAOHJEET

Pitele sähkötyökalua eristetyistä pitopinnoista, kun käytät sitä olosuhteissa, joissa sen terä saattaa koskea piilotettuja johtoja. Jos leikkuri koskettaa sähköistettyä johtoa, työkalun metalliosat voivat sähköistyä ja aiheuttaa käyttäjälle sähköiskun.

TURVALLISUUTTA JA KÄYTTÖÄ KOSKEVAT LISÄOHJEET

Käytä hionnan aikana aina suojalaseja ja pölymaskia, erityisesti pään yläpuolella suoritettavan hionnan aikana.

Lyijymaalia, joitakin puulajeja ja metalleja hiottaessa on käytettävä sopivaa hengityssuojainta, jotta haitallinen/myrkyllinen pöly tai ilma ei pääse hengitysteihin.

Työkalun käytön tuloksena syntyvä pöly voi olla vaarallista käyttäjän ja lähellä oleskelevien terveydelle. Käyttäjän ja lähellä oleskelevien ei pidä koskea eikä hengittää pölyä. Käytä asianmukaista pölyltä suojaavaa maskia.

Älä työstä mitään terveydelle vahingollista materiaalia, kuten asbestia.

Kiinnitä työkalu paikalleen puristimella. Kiinnittämätön työkalu voi aiheuttaa vakavan vamman ja vaurioita.

Tuote käynnistyy uudelleen automaattisesti, jos se jumittuu. Älä kytke oksasaha uudelleen päälle, kun se on vielä pysähdyksissä, sillä seurauksena voi olla äkillinen, voimakas takapotku. Määritä, miksi tuote on jumittunut, ja korjaa tilanne noudattaen turvallisuusohjeita.

Tuote käynnistyy uudelleen automaattisesti, jos se jumittuu. Älä kytke oksasaha uudelleen päälle, kun se on vielä pysähdyksissä, sillä seurauksena voi olla äkillinen, voimakas takapotku. Määritä, miksi tuote on jumittunut, ja korjaa tilanne noudattaen turvallisuusohjeita.

Irrota akkuyksikkö laitteesta ennen kuin teet siihen mitään toimenpiteitä.

KÄYTTÖTARKOITUS

Monitoimityökalu on tarkoitettu:

- metallin, puun, muovin ja vastaavien materiaalien hiontaan ja viimeistelyyn mukana toimitetuilla hiomatyynyillä ja muotoon leikatulla hionta-arkkeilla
- raudattoman metallin, puun, muovin, kipsilevyn jne. kaapimiseen ja uppoleikkaamiseen mukana toimitetuilla metallisilla leikkuterillä
- seinien reikiin tekemiseen kytkimä tai pistorasioita varten
- keraamisten laattojen välisen laastin poistamiseen

Tuote on tarkoitettu käytettäväksi sisätiloissa kuivissa, hyvin valaistuissa ja asianmukaisesti ilmastoiduissa olosuhteissa.

Tuotetta ei ole tarkoitettu käytettäväksi märille materiaaleille tai pinnoille.

Älä käytä tätä tuotetta millään muulla tavalla kuin mihin se on tarkoitettu.

MUITA AKUN TURVALLISUUSVAROITUKSIA

VAROITUS! Jotta oikosulusta aiheutuva tulipalon, loukkaantumisen ja tuotevaurion riski olisi pienempi, älä koskaan upota työkalua, akkuyksikköä tai laturia nesteeseen tai päästä nesteitä niiden sisälle. Syövyttävät tai sähköä johtavat nesteet, kuten suolavesi, tietyt kemikaalit ja lalkaisuaaineet tai valkaisuaineet sisältävät tuotteet voivat aiheuttaa lyhytsulun.

Älä hävitä akkuja talousjätteiden seassa tai polttamalla. AEG:n tuotejakeelijat ottavat takaisin vanhat akut ympäristön suojelemiseksi.

Lataa akkupakkaukset ainoastaan AEG-laturilla. Älä käytä muiden järjestelmien akkupaketteja.



Älä koskaan avaa akkupakkauksia ja latureita, ja säilytä niitä vain kuivissa tiloissa. Pidä akkupakkaukset ja laturit aina kuivina.

Jos akkupakkauksia ei ole käytetty vähään aikaan, ne on ladattava uudelleen ennen käyttöä.

Yli 50 °C (122 °F) lämpötilat alentavat akkupaketin suorituskykyä. Vältä pitkäaikaista altistamista kuumuudelle tai auringonvalolle (ylikuumenemisriski).

Laturien ja akkupakkausten koskettimet on pidettävä puhtaina.

Akkupakkausten käyttöäin optimoimiseksi ne on ladattava täyteen, käytön jälkeen.

Pidentääksesi akkupakettien elinikää poista akkupaketti laturista heti, kun se on täyteen ladattu.

Jos akkupakkaus on varastoituna yli 30 päivää:

- Säilytä akkupakkausta paikassa, jossa ei ole kosteutta ja jossa lämpötila on alle 27 °C.
- Säilytä akkupakkauksia 30 %:n - 50 %:n varaustilassa.
- Lataa säilytysaikana akkupakkaus kuuden kuukauden välein normaalisti.

AKKUPAKKAUKSEN SUOJAAMINEN

Akkupakkauksessa on ylikuormitusuoja, joka suojaa sitä ylikuormitukselta ja auttaa varmistamaan pitkän käyttöäin.

Äärimmäisessä rasituksessa akun elektroniikka sammuttaa laitteen automaattisesti. Kun haluat jatkaa, sammuta laite ensin ja käynnistä sitten heti uudelleen. Jos laite ei käynnisty uudelleen, akkupakkaus on saattanut purkautua kokonaan. Lataa akkupakkaus uudelleen.

LITIUMAKKIJEN KULJETTAMINEN

Litiumioniakku on vaarallisten tuotteiden lainsäädännön alainen.

Akkujen kuljettamisessa on noudatettava paikallisia, kansallisia ja kansainvälisiä säännöksiä ja määräyksiä.

- Akkuja voidaan kuljettaa maanteillä ilman lisävaatimuksia.
- Litiumioniakkujen kaupallinen kuljetus kolmansien osapuolten toimesta on vaarallisten aineiden säännösten alainen. Kuljetusvalmistelut ja kuljetus vaativat yksinomaan asianmukaisesti koulutettua henkilöstöä, ja vastaavien asiantuntijoiden on valvottava toimintaa.

Akkujen kuljettaminen:





- Varmista, että akkujen navat on suojattu ja eristetty oikosuluilta.
 - Varmista, että akkupaketti on pakattu turvallisesti niin, ettei se liiku pakkauksessa.
 - Älä kuljeta akkuja, jotka ovat halkeilleet tai vuotavat.
- Kysy välitysritykseltä lisäneuvoja.






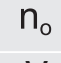





HUOLTO

Käytä vain AEG:n tarvikkeita ja varaosia. Jos jokin tässä kuvaamatta oleva osa pitää vaihtaa, ota yhteys johonkin AEG:n huoltohenkilöistä (ks. takuu- ja huolto-osoitteiden luettelo).

Laitteen räjähdyskuvan voi tilata tarvittaessa. Ilmoita tuotetyyppi ja etikettiin painettu sarjanumero ja tilaa piirros paikallisella huoltoedustajalta tai suoraan osoitteesta: Techtronic Industries GmbH, Max-Eyth-Straße 10, 71364 Winnenden, Germany.

SYMBOLIT

	Lue ohjeet huolellisesti ennen laitteen käynnistämistä.
	HUOMIO! VAROITUS! VAARA!
	Irrota akkuyksikkö laitteesta ennen kuin teet siihen mitään toimenpiteitä.
	Vältä koskettamasta mitään kuumaa pintaa loukkaantumis- tai vahingoittumisriskin vähentämiseksi.

	Pidä suojalaseja.
	Käytä korvasuojia.
	Käytä asianmukaista pölyltä suojaavaa maskia.
	Käytä käsinettä.
	Älä hävitä käytettyjä akkuja sekä sähkö- ja elektroniikkalaiteromua lajittelemattomana yhdyskuntajätteenä. Käytetyt akut sekä sähkö- ja elektroniikkalaiteromu on kerättävä erikseen. Käytetyt paristot ja akut ja hukkavalonlähteet on poistettava laitteista. Kysy paikalliselta viranomaiselta tai jälleenmyyjältä kierrätysneuvoja ja tietoja keräyspisteistä. Paikallisten määräysten mukaan jälleenmyyjillä voi olla velvollisuus ottaa käytetyt akut sekä sähkö- ja elektroniikkalaiteromu takaisin veloitukselta. Panoksesi käytettyjen akkujen sekä sähkö- ja elektroniikkalaiteromun uudelleenkäyttöön ja kierrätykseen auttaa vähentämään raaka-aineden kysyntää. Käytetyt, erityisesti litiumia sisältävät akut sekä sähkö- ja elektroniikkalaiteromu sisältävät arvokkaita ja kierrätettäviä materiaaleja, jotka voivat vaikuttaa haitallisesti ympäristöön ja ihmisten terveyteen, jos niitä ei hävitetä ympäristöstävälisellä tavalla. Poista mahdolliset henkilötiedot jätelaitteista.
	Nopeus ilman kuormaa
	Jännite
	Tasavirta
	Eurooppalainen vaatimustenmukaisuusmerkintä
	Ukrainalainen vaatimustenmukaisuusmerkintä
	EurAsian-vaatimustenmukaisuusmerkki



ΤΕΧΝΙΚΑ ΣΤΟΙΧΕΙΑ	BMT18
Τύπος	Πολυεργαλείο
Κωδικός προϊόντος	4757 55 01 00001-999999 MJJJJ
Τάση μπαταρίας	18 V \equiv
Ταύτητα στ κεν	10000-20000 min ⁻¹
Γωνία ταλάντωσης αριστερά/δεξιά	1,6/1,6°
Βάρος χωρίς τη μπαταρία	1,04 kg
Βάρος σύμφωνα με το ΕΡΤΑ-Διαδικασία 01/2014 (2,0 Ah ... 9,0 Ah Li-Ion)	1,46 ... 2,19 kg
Συνιστώμενη θερμοκρασία περιβάλλοντος λειτουργίας	-18...+50 °C
Συνιστώμενος τύπος μπαταρίας	L18...
Συνιστώμενος φορτιστής	AL18G, BL1...

Πληροφορίες θορύβου

Μετρούμενες τιμές προσδιοριζόμενες σύμφωνα με το EN 62841. Συνήθως τα Α-σταθμισμένα επίπεδα θορύβου του εργαλείου είναι:

Στάθμη ηχητικής πίεσης / Αβεβαιότητα
Επίπεδο ηχητικής ισχύος / Αβεβαιότητα

$L_{WA}=81,0$ dB (A) / $K_{WA}=3$ dB(A)
 $L_{WA}=92,0$ dB (A) / $K_{WA}=3$ dB(A)

Φοράτε προστατευτικά ακοής!

Πληροφορίες κραδασμών

Οι συνολικές τιμές κραδασμών (τριαξονικό διανυσματικό άθροισμα) προσδιορίζονται σύμφωνα με το πρότυπο EN 62841.

Τιμή παραγόμενων κραδασμών / Αβεβαιότητα

Τριβή με πέλαμα τριβής
Ακτινική κοπή

$a_r=7,2$ m/s² / $K=1,5$ m/s²
 $a_p=13,1$ m/s² / $K=1,5$ m/s²
 $a_n=12,4$ m/s² / $K=1,5$ m/s²

Ευθυγραμμισμένη κατά επίπεδο κοπή

⚠ ΠΡΟΕΙΔΟΠΟΙΗΣΗ!

Οι δηλωθείσες συνολικές τιμές κραδασμών και εκπομπών θορύβου που αναφέρονται σε αυτό το εγχειρίδιο οδηγιών έχουν μετρηθεί σύμφωνα με μια τυποποιημένη μέθοδο δοκιμής και μπορούν να χρησιμοποιηθούν για τη σύγκριση εργαλείων μεταξύ τους. Μπορούν να χρησιμοποιηθούν για προκαταρκτική αξιολόγηση της έκθεσης.

Οι δηλωθείσες τιμές κραδασμών και εκπομπών θορύβου αφορούν ισχύουν για τις κύριες εφαρμογές του εργαλείου. Ωστόσο, εάν το εργαλείο χρησιμοποιηθεί για διαφορετικές εφαρμογές, με διαφορετικά εξαρτήματα ή δεν συντηρηθεί σωστά, οι τιμές κραδασμών και εκπομπών θορύβου μπορεί να διαφοροποιηθούν. Οι προϋποθέσεις αυτές μπορεί να αυξήσουν σημαντικά τα επίπεδα έκθεσης κατά τη διάρκεια της συνολικής περιόδου εργασίας.

Θα πρέπει να ληφθεί υπόψη μια εκτίμηση της έκθεσης σε κραδασμούς και θόρυβο όταν το εργαλείο είναι απενεργοποιημένο ή όταν μεταβαίνει σε αδράνεια. Οι συνθήκες αυτές μπορεί να μειώσουν σημαντικά τα επίπεδα έκθεσης κατά τη διάρκεια της συνολικής περιόδου εργασίας.

Προσδιορίστε πρόσθετα μέτρα ασφαλείας για την προστασία του χειριστή από τις επιπτώσεις των κραδασμών και του θορύβου, όπως συντήρηση του εργαλείου και των εξαρτημάτων, διατήρηση των χεριών ζεστών. (σε περίπτωση κραδασμών) και οργάνωση σχεδίων εργασίας.

⚠ ΠΡΟΕΙΔΟΠΟΙΗΣΗ! Διαβάστε όλες τις προειδοποιήσεις ασφαλείας, τις απεικονίσεις και τις προδιαγραφές που παρέχονται με το παρόν ηλεκτρικό εργαλείο. Τυχόν μη τήρηση όλων των παρακάτω οδηγιών μπορεί να οδηγήσει σε ηλεκτροπληξία, πυρκαγιά και/ή σοβαρό τραυματισμό. Διατηρήστε όλες τις προειδοποιήσεις και τις οδηγίες για μελλοντική χρήση.

Το προϊόν θα κάνει αυτόματη επανεκκίνηση εάν διακοπεί η λειτουργία του. Απενεργοποιήστε αμέσως το προϊόν εάν διακοπεί η λειτουργία του. Μην ενεργοποιήσετε εκ νέου το προϊόν ενώ η λειτουργία του βρίσκεται ακόμη σε διακοπή, διότι αυτό θα μπορούσε να πυροδοτήσει ξαφνική ανάκρουση με υψηλή δύναμη αντίδρασης. Προσδιορίστε την αιτία του προβλήματος στο εργαλείο εισαγωγής και διορθώστε την, τηρώντας τις οδηγίες ασφάλειας.

Αφαιρέστε τη μπαταρία πριν ξεκινήσετε οποιαδήποτε εργασία στο μηχάνημα.

ΠΡΟΕΙΔΟΠΟΙΗΣΕΙΣ ΑΣΦΑΛΕΙΑΣ ΓΙΑ ΤΟ ΠΟΛΥΕΡΓΑΛΕΙΟ

Κρατάτε το ηλεκτρικό εργαλείο από τις μονωμένες επιφάνειες λαβής όταν εκτελείτε εργασία κατά την οποία το εξάρτημα κοπής μπορεί να έρθει σε επαφή με κρυμμένα καλώδια. Εάν κάποιο εξάρτημα κοπής έρθει σε επαφή με γυμνό καλώδιο, μπορεί να καταστήσει τα εκτεθειμένα μεταλλικά τμήματα του εργαλείου αγώγιμα και να προκαλέσει στον χειριστή ηλεκτροπληξία.

ΧΡΗΣΗ ΣΥΜΦΩΝΑ ΜΕ ΤΟ ΣΚΟΠΟ ΠΡΟΟΡΙΣΜΟΥ

Το πολυεργαλείο προορίζεται για χρήση:

- για τρίψιμο και φινιρίσμα μετάλλων, ξύλου, πλαστικών ή παρόμοιων υλικών με χρήση του πέλασμου τριβής με τα μορφοποιημένα φύλλα τριβής που παρέχονται
- για ζύσιμο και ακτινική κοπή σε μη σιδηρούχα μέταλλα, ξύλο, πλαστικά, γυψοσανίδες, κ.λπ. χρησιμοποιώντας τις παρεχόμενες μεταλλικές λεπίδες κοπής
- για κοπή οπών σε τοίχους για την τοποθέτηση διακοπών ή τριζών
- για αφαίρεση των αρμών μεταξύ κεραμικών πλακιδίων

Το προϊόν προορίζεται να λειτουργεί σε εσωτερικούς χώρους σε ξηρές, καλά φωτισμένες και επαρκώς αεριζόμενες συνθήκες.

Το προϊόν δεν προορίζεται για χρήση σε υγρά υλικά ή επιφάνειες.

Μην χρησιμοποιείτε το προϊόν με τρόπο διαφορετικό από αυτόν που αναφέρεται για τη χρήση του.

ΠΡΟΣΘΕΤΕΣ ΟΔΗΓΙΕΣ ΑΣΦΑΛΕΙΑΣ ΚΑΙ ΕΡΓΑΣΙΑΣ

Φοράτε πάντα προστατευτικά γυαλιά και μάσκα κατά της σκόνης όταν τριβείτε, ειδικά όταν τριβείτε κοιλώντας προς τα πάνω.

Όταν τριβείτε βαφές μολύβδου, ορισμένα ξύλα και μέταλλα, πρέπει να φοράτε κατάλληλο αναπνευστήρα για να αποφύγετε την εισπνοή επιβλαβούς/τοξικής σκόνης ή αέρα.

Η σκόνη που παράγεται κατά τη χρήση του μηχανήματος μπορεί να είναι επιβλαβής για την υγεία του χειριστή και των παρευρισκόμενων. Ο χειριστής και οι παρευρισκόμενοι δεν πρέπει να αγγίζουν και να εισπνέουν τη σκόνη. Φοράτε την κατάλληλη μάσκα προστασίας από τη σκόνη.

Μην επεξεργάζεστε υλικά που είναι επικίνδυνα για την υγεία, όπως αμίαντο.

Στερεώστε το τεμάχιο εργασίας με σφιγκτήρα. Τυχόν μη στερεωμένα τεμάχια εργασίας μπορεί να προκαλέσουν τραυματισμό και ζημιές.

ΕΠΙΠΡΟΣΘΕΤΕΣ ΠΡΟΕΙΔΟΠΟΙΗΣΕΙΣ ΑΣΦΑΛΕΙΑΣ ΜΠΑΤΑΡΙΑΣ

⚠ ΠΡΟΕΙΔΟΠΟΙΗΣΗ! Για ελαστικοποίηση του κινδύνου φωτιάς, τραυματισμών και καταστροφής αντικειμένων λόγω





βραχυκυκλώματος, φροντίστε να μην βυθίζετε το εργαλείο, το πακέτο μπαταρίας ή τον φορτιστή σε υγρά και μην αφήνετε τυχόν υγρά να εισχωρήσουν σε αυτά. Διαβρωτικά ή αγώγιμα υγρά, όπως το θαλάσσιο νερό, κάποια βιομηχανικά χημικά, το χλώριο, προϊόντα που περιέχουν χλώριο, κ.α., μπορούν να προκαλέσουν βραχυκύκλωμα.

Μην απορρίπτετε τις χρησιμοποιημένες μπαταρίες με τα απόβλητα του σπιτιού και μην τις καίτε. Οι διανομείς της AEG αναλαμβάνουν την παραλαβή παλιών μπαταριών για την προστασία του περιβάλλοντος.

Χρησιμοποιείτε μόνο φορτιστές AEG για τη φόρτιση μπαταριών AEG. Μην χρησιμοποιείτε πακέτα μπαταρίας από άλλα συστήματα.

Ποτέ μην ανοίγετε με θραύση μπαταρίες και φορτιστές και αποθηκεύετε τα μόνο σε ξηρούς χώρους. Πάντοτε διατηρείτε τις μπαταρίες και τους φορτιστές στεγνούς.

Πακέτα μπαταρίας που δεν έχουν χρησιμοποιηθεί για κάποιο διάστημα θα πρέπει να φορτίζονται πριν από τη χρήση.

Οι θερμοκρασίες που υπερβαίνουν τους 50 °C μειώνουν την απόδοση της μπαταρίας. Αποφύγετε την παρατεταμένη έκθεση σε θερμότητα ή την ηλικιακή ανινοβολία (κίνδυνος υπερθέρμανσης).

Οι επαφές των φορτιστών και των μπαταριών πρέπει να διατηρούνται καθαρές.

Για μέγιστη διάρκεια ζωής, τα πακέτα μπαταρίας πρέπει να φορτίζονται πλήρως μετά από τη χρήση.

Για να εξασφαλίσετε τη μέγιστη δυνατή διάρκεια ζωής της μπαταρίας, αφαιρέστε το πακέτο μπαταρίας από τον φορτιστή μόλις φορτιστεί πλήρως.

Για αποθήκευση μπαταριών πάνω από 30 ημέρες:

- Αποθηκεύστε την μπαταρία σε χώρο όπου η θερμοκρασία είναι κάτω από 27 °C και μακριά από την υγρασία.
- Αποθηκεύστε τα πακέτα μπαταρίας φορτισμένα κατά 30%-50%.
- Κάθε έξι μήνες αποθήκευσης, φορτίζετε τη μπαταρία ως συνήθως.

ΠΡΟΣΤΑΣΙΑ ΠΑΚΕΤΟΥ ΜΠΑΤΑΡΙΩΝ

Η μπαταρία διαθέτει προστασία υπερφόρτωσης που την προστατεύει από την υπερφόρτωση και εξασφαλίζει μακρά διάρκεια ζωής.

Υπό ακραία καταπόνηση, τα ηλεκτρονικά στοιχεία της μπαταρίας απενεργοποιούν αυτόματα το προϊόν. Για να ξαναθέσετε το προϊόν σε λειτουργία, απενεργοποιήστε και στη συνέχεια ενεργοποιήστε το ξανά. Αν το προϊόν δεν ξεκινήσει ξανά, ενδέχεται να έχει αποφορτιστεί πλήρως το πακέτο μπαταρίας. Επαναφορτίστε το πακέτο μπαταρίας.

ΜΕΤΑΦΟΡΑ ΜΠΑΤΑΡΙΩΝ ΛΙΘΙΟΥ

Οι μπαταρίες λιθίου υπόκεινται στις απαιτήσεις της Νομοθεσίας περί Επικίνδυνων Εμπορευμάτων.

Η μεταφορά των μπαταριών αυτών πρέπει να πραγματοποιείται σύμφωνα με τις τοπικές, εθνικές και διεθνείς διατάξεις και κανονισμούς.

- Οι μπαταρίες μπορούν να μεταφερθούν οδικώς χωρίς περαιτέρω απαιτήσεις.
- Η εμπορική μεταφορά μπαταριών ιόντων λιθίου από τρίτους υπόκειται στις απαιτήσεις της Νομοθεσίας περί Επικίνδυνων Εμπορευμάτων. Η προετοιμασία της μεταφοράς και η εκτέλεσή της πρέπει να πραγματοποιούνται αποκλειστικά από κατάλληλα εκπαιδευμένα άτομα και η διαδικασία πρέπει να εγκρίνεται από σχετικούς εμπειρογνώμονες.

Κατά τη μεταφορά μπαταριών:

- Βεβαιωθείτε ότι οι ακροδέκτες επαφής της μπαταρίας είναι προστατευμένοι και μονωμένοι προς αποφυγή βραχυκυκλώματος.
- Βεβαιωθείτε ότι η μπαταρία παραμένει ακίνητη εντός της συσκευασίας.
- Μη μεταφέρετε μπαταρίες που έχουν χτυπήματα ή διαρροή. Ενημερωθείτε από τη πρακτορεία μεταφορών για περαιτέρω ειδοποιήσεις.

ΣΥΝΤΗΡΗΣΗ

Χρησιμοποιείτε αποκλειστικά εξαρτήματα και ανταλλακτικά AEG. Σε περίπτωση ανάγκης αντικατάστασης εξαρτημάτων που δεν έχουν περιγραφεί, επικοινωνήστε με κάποιον από τους παρόχους σέρβις της AEG (βλ. τη λίστα των διευθύνσεων εγγύησης/ σέρβις).

Αν χρειαστεί, μπορεί να παραγγελθεί ένα σχηματικό διάγραμμα του εργαλείου. Αναφέρετε τον τύπο προϊόντος και τον σειριακό αριθμό που αναγράφεται στην ετικέτα και παραγγέλλετε το διάγραμμα στον

τοπικό αντιπρόσωπο σέρβις ή απευθείας στη διεύθυνση: Techtronic Industries GmbH, Max-Eyth-Straße 10, 71364 Winnenden, Germany.

ΣΥΜΒΟΛΑ

	Διαβάστε προσεκτικά τις οδηγίες πριν χρησιμοποιήσετε το προϊόν.
	ΠΡΟΣΟΧΗ! ΠΡΟΕΙΔΟΠΟΙΗΣΗ! ΚΙΝΔΥΝΟΣ!
	Αφαιρέστε τη μπαταρία πριν ξεκινήσετε οποιαδήποτε εργασία στο μηχανήμα.
	Για να μειωθεί ο κίνδυνος τραυματισμού ή ζημιάς, αποφύγετε την επαφή με οποιαδήποτε θερμή επιφάνεια.
	Φοράτε προστατευτικά ματιών.
	Φοράτε ωτοασπίδες.
	Φοράτε την κατάλληλη μάσκα προστασίας από τη σκόνη.
	Φοράτε γάντια.
	Οι μπαταρίες καθώς και ο ηλεκτρονικός και ηλεκτρικός εξοπλισμός δεν πρέπει να απορρίπτονται στα αδιαχώριστα απορρίμματα της κοινότητας. Οι μπαταρίες καθώς και ο ηλεκτρονικός και ηλεκτρικός εξοπλισμός προς απόρριψη θα πρέπει να συλλέγονται χωριστά. Οι μπαταρίες, οι συσσωρευτές και οι πηγές φωτός προς απόρριψη θα πρέπει να αφαιρούνται από τον εξοπλισμό. Επικοινωνήστε με την τοπική σας αρχή ή τον προμηθευτή σας για συμβουλές ανακύκλωσης και σημείο συλλογής. Σύμφωνα με τους τοπικούς κανονισμούς, οι προμηθευτές ενδέχεται να υποχρεούνται να παραλαμβάνουν τον ηλεκτρονικό και ηλεκτρικό εξοπλισμό προς απόρριψη, χωρίς χρέωση. Η συμβολή σας στην επαναχρησιμοποίηση και την ανακύκλωση ηλεκτρονικού και ηλεκτρικού εξοπλισμού προς απόρριψη βοηθά στη μείωση της ζήτησης πρώτων υλών. Οι άχρηστες μπαταρίες, και κυρίως όσες περιέχουν λίθιο, όπως και ο άχρηστος ηλεκτρονικός και ηλεκτρικός εξοπλισμός, περιέχουν πολύτιμα ανακυκλώσιμα υλικά, τα οποία μπορεί να βλάψουν τόσο το περιβάλλον, όσο και την ανθρώπινη υγεία, εάν δεν απορρίπτονται με τρόπο φιλικό προς το περιβάλλον. Διαγράψτε τυχόν προσωπικά δεδομένα από τον εξοπλισμό.
	Ταύτητα στ kev
	Βλτ
	Συνεχές ρεύμα
	Ευρωπαϊκό σήμα συμμόρφωσης
	Ουκρανικό σήμα συμμόρφωσης
	ΕυAsian σήμα πιστότητας





TEKNİK VERİLER

BMT18

Tip	Çok işlevli alet
Üretim kodu	4757 55 01 000001-999999 MJJJJ
Pil voltajı	18 V ===
Yüksüz hız	10000-20000 min ⁻¹
Salınım açısı sol/sağ	1,6/1,6°
Ağırlık (batarya hariç)	1,04 kg
EPTA-Prosedürüne 01/2014 (2.0 Ah ... 9.0 Ah Li-Ion) Uygun Olarak Ağırlık	1,46 ... 2,19 kg
Önerilen çalışma ortam sıcaklığı	-18...+50 °C
Tavsiye edilen pil takımı tipi	L18...
Tavsiye edilen şarj cihazı	AL18G, BL1...

Gürültü Bilgisi

EN 62841'e göre belirlenen ölçülen değerler. Tipik olarak, cihazın A-ağırlıklı gürültü seviyeleri şöyledir:

Ses basınç seviyesi / Belirsizlik

Ses gücü seviyesi / Belirsizlik

Kulak tıkacı kullanılı

$L_{pA}=81,0$ dB (A) / $K_{pA}=3$ dB(A)
 $L_{wA}=92,0$ dB (A) / $K_{wA}=3$ dB(A)

Titreşim Bilgisi

EN 62841'e göre belirlenen titreşim toplam değerleri (üç eksenli vektör toplamı).

Titreşim emisyon değeri / Belirsizlik

Zımpara pedi ile zımparalama

Daldırmalı kesme

Kenar kesme

$a_n=7,2$ m/s² / $K=1,5$ m/s²
 $a_n=13,1$ m/s² / $K=1,5$ m/s²
 $a_n=12,4$ m/s² / $K=1,5$ m/s²

⚠ UYARI!

Bu kullanım kılavuzunda verilen toplam titreşim değerleri ve gürültü emisyonu değerleri standartlaştırılmış bir teste göre ölçülmüştür ve bir aleti diğerleriyle karşılaştırmak için kullanılabilir. Maruz kalmanın önceden değerlendirilmesi için kullanılabilirler.

Beyan edilen titreşim ve gürültü emisyonu değerleri aletin ana uygulamalarını temsil eder. Ancak, alet farklı uygulamalar için kullanılıyorsa, farklı aksesuarlarla kullanılıyorsa ve bakımı yapılmıyorsa, titreşim ve gürültü emisyonu değişiklik gösterebilir. Bu koşullar toplam çalışma süresi genelindeki maruz kalma düzeylerini önemli oranda artırabilir.

Titreşime ve gürültüye maruz kalma seviyesinin tahmininde aletin kapatıldığı veya boşta çalıştığı süreler dikkate alınmalıdır. Bu koşullar toplam çalışma süresi boyunca maruz kalma seviyesini önemli oranda azaltabilir.

Kullanılan kişiyi titreşimin ve gürültünün etkilerinden korumak için aletin ve aksesuarların bakımını yapmak, (titreşim halinde) elleri sıcak tutmak ve çalışma modelleri organize etmek gibi ilave güvenlik önlemlerini tanımlayın.

⚠ UYARI! Bu elektrikli aletle birlikte sağlanan bütün güvenlik uyarı ve talimatlarını, çizim ve teknik özellikleri okuyun.

Aşağıdaki listelenen tüm talimatlara uyulmaması halinde elektrik çarpması, yangın ve/veya ciddi yaralanma ortaya çıkabilir. İleride başvurma üzere tüm uyarıları ve talimatları saklayın.

ÇOK İŞLEVLİ ALET GÜVENLİK UYARILARI

Kesme aksesuarının güvenli kablolarla temas edebileceği durumlarda işlem yaparken, elektrikli cihazı sadece yalıtılmış kavrama yüzeylerinden tutun. Kesici aksesuarların "akımlı" bir kabloyla temas etmesi, elektrikli aletin açtıktaki metal kısımlarının "akımlı" olmasına ve operatörün elektrik çarpmasına maruz kalmasına neden olabilir.

İLAVE GÜVENLİK VE ÇALIŞMA TALİMATLARI

Zımpara yaparken, özellikle baş üstü zımpara yaparken daima koruyucu gözlük ve toz maskesi takın.

Kurşun boya, bazı ahşaplar ve metal zımparalanırken zararlı/zehirli toz veya havayı solumaktan kaçınmak için uygun bir solunum maskesi takılmalıdır.

Ürünü kullanırken ortaya çıkan toz operatörün ve çevredekilerin sağlığı için zararlı olabilir. Operatör ya da çevredekiler toza dokunmamalı, solumamalıdır. Uygun bir toz koruma maskesi kullanın.

Asbest gibi sağlığı zararlı olabilecek herhangi bir materyali işlemeyin.

İş parçasını bir kelepçeleme aletiyle kelepçeleyin. Kelepçelenmemiş iş parçaları ağır yaralanma ve hasara neden olabilir.

Ürün stop ettiğinde, otomatik olarak yeniden çalışır. Takıldığı zaman ürünü hemen kapatın. Stop etmekte olan ürünü yeniden çalıştırmayın, böylece bir davranış çok güçlü bir geri tepmeye yol

açabilir. Güvenlik talimatlarını göz önünden uzaklaştırmadan, ürünün neden stop ettiğini belirleyin.

Ürün üzerinde herhangi bir çalışma yapmaya başlamadan önce batarya takımını çıkartın.

KULLANIM ŞARTLARI

Çok işlevli alet aşağıdaki amaçlarla kullanılmak için tasarlanmıştır:

- zımpara pedini tedarik edilen şekilli aşındırıcı levhalarla kullanarak metal, ahşap, plastik veya benzeri malzemeleri zımparalamak ve perdahlamak için
- tedarik edilen metalik kesme bıçaklarını kullanarak demirsiz metal, ahşap, plastik, alçıpan vb. malzemelerin kazınması ve daldırmalı kesilmesi için
- elektrik düğmelerini veya elektrik prizlerini yerleştirmek için duvarlarda delikler açmak için
- seramik karolar arasındaki derzleri çıkarmak için

Ürün kuru, iyi aydınlatılmış ve yeterince havalandırılmış koşullarda iç mekanlarda çalıştırılmak için tasarlanmıştır.

Ürün ıslak malzemelerin veya yüzeylerin üzerinde kullanılmak için tasarlanmamıştır.

Bu ürünün belirtilen kullanım amacı dışında herhangi bir amaçla kullanılmayın.

İLAVELER EK GÜVENLİK UYARILARI

⚠ UYARI! Kısa devreden kaynaklanacak yangın, yaralanma ve maddi hasar risklerini azaltmak için aletinizi, pil paketini ya da şarj cihazını asla bir sıvıya batırmayın, ya da içine sıvı girmesine izin vermeyin. Deniz suyu bazı sanayi kimyasalları, çamaşır suyu ya da çamaşır suyu içeren ürünler vb. gibi aşındırıcı ya da iletken sıvılar kısa devreye neden olabilir.



Kullanılmış pil paketlerini ev atıklarına katarak ya da yakarak bertaraf etmeyin. AEG Distribütörleri çevremizi korumak için eski pilleri geri almayı önerir.

AEG pil paketlerini şarj etmek için yalnızca AEG şarj aletlerini kullanın. Başka sistemlerin pil paketlerini kullanmayın.

Açık pil paketlerini ve şarj cihazlarını asla kırarak açmayın ve yalnızca kuru odalarda muhafaza edin. Pil paketlerini ve şarj cihazlarını daima kuru tutun.

Belirli bir süre kullanılmayan pil paketlerinin kullanılmadan önce yeniden şarj edilmesi gerekir.

50°C'yi (122°F) aşkın ısılar pil takımının performansını düşürür. Isıya veya güneş ışığına uzun süre maruz bırakmayın (aşırı ısınma riski).

Şarj aletlerinin temas noktaları ve batarya paketleri temiz tutulmalıdır.

Optimal bir ömür için, pil paketlerinin kullanımdan sonra yeniden şarj edilmesi gerekir.

Olası en uzun ömür elde etmek için, şarj olduktan sonra pil takımını şarj aletinden ayırın.

30 günden uzun süre depolanacak batarya paketleri için:

- Batarya paketini 27°C altı sıcaklıkta ve nemden uzakta depolayın.
- Batarya paketlerini %30-%50 şarj edilmiş durumda muhafaza edin.
- Depolandıktan sonra her altı ayda bir batarya takımını normal şekilde şarj edin.

BATARYA PAKETİ KORUMASI

Batarya paketinin aşırı yüklemeyi koruyan ve uzun ömür sağlayan bir aşırı yük koruması vardır.

Yoğun stres altında batarya elektronikleri aleti otomatik olarak kapatır. Yeniden çalıştırmak için ürünü kapatıp yeniden açın. Ürün yeniden çalışmazsa batarya paketi tamamen deşarj olmuş olabilir. Pil paketini şarj edin.

LİTYUM PİLLERİN NAKLİYESİ

Lityum-iyon pil, Tehlikeli Madde Düzenlemelerine gerekliliklerine tabidir.

Bu pillerin nakliyesi yerel, ulusal, uluslararası hüküm ve düzenlemelere uygun olarak yapılmalıdır.

- Piller ilave gereklilik olmaksızın kara yoluyla taşınabilir.
- Lityum-iyon pillerin üçüncü taraflarca ticari nakliyesi Tehlikeli Maddeler düzenlemelerine tabidir. Taşıma hazırlığı ve taşıma yalnızca uygun eğitilmiş kişilerce gerçekleştirilmeli ve taşıma sürecine ilgili uzmanlar eşlik etmelidir.

Pil taşırken:


- Kısa devreyi önlemek için pil kontak terminallerinin korumalı ve yalıtımlı olduğundan emin olun.
 - Pil paketinin ambalaj içinde hareket etmeyecek gibi tespit edilmesini sağlayın.
 - Çatlak veya sızıntı yapan pilleri nakletmeyin.
- Daha fazla bilgi için nakliye şirketinize danışın.


BAKIM








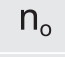





Sadece AEG aksesuarları ve yedek parçaları kullanın. Tanımlanmamış parçaların değiştirilmesi gerektiğinde, AEG servis acentelerimizden biriyle iletişime geçin (garanti/servis adresleri listenize bakın).

Gerektiğinde, ürünün parçaları dağıtık bir çizimi sipariş edilebilir. Ürün türünü ve etiketin üzerinde yazılı olan seri numarasını belirtin ve çizimi yerel servis temsilcinizden veya doğrudan şu adresten sipariş edin: Techtronic Industries GmbH, Max-Eyth-Straße 10, 71364 Winnenden, Germany.

SEMBOLLER

 Bu ürünü çalıştırmadan önce lütfen bu talimatları dikkate okuyun.

 DİKKAT! UYARI! TEHLİKE!

	Ürün üzerinde herhangi bir çalışma yapmaya başlamadan önce batarya takımını çıkartın.
	Yaralanma ya da hasar riskini azaltmak için her türlü sıcak yüzeyle temastan kaçının.
	Göz koruyucu ekipman kullanın.
	Kulak koruyucu kullanın.
	Uygun bir toz koruma maskesi kullanın.
	Eldiven kullanın.
	Atık pilleri, atık elektrikli ve elektronik ekipmanı, sınıflandırılmamış belediye atığı olarak bertaraf etmeyin. Atık piller ile atık elektrikli ve elektronik ekipmanlar ayrıca toplanmalıdır. Atık pil, akü ve ışık kaynakları ekipmandan çıkarılmalıdır. Yerel otorite veya satıcıdan geri dönüşüm tavsiyesi alın ve toplama noktasını öğrenin. Yerel düzenlemelere göre perakendecilerin atık piller ile atık elektrikli ve elektronik ekipmanı ücretsiz olarak geri alma yükümlülüğü olabilir. Atık bataryaların yanı sıra atık elektrikli ve elektronik ekipmanların yeniden kullanımı ve geri dönüşümüne katkınız, hammadde talebini azaltmaya yardımcı olur. Özellikle lityum içeren atık piller ile atık elektrikli ve elektronik ekipmanlar, çevreye uyumlu bir şekilde bertaraf edilmediği takdirde çevre ve insan sağlığını olumsuz yönde etkileyebilecek değerli ve geri dönüştürülebilir malzemeler içerir. Varsa, atık ekipmandaki kişisel verileri silin.
	Yüksüz hız
	Volt
	Doğru akım
	Avrupa Uyumluluk İşareti
	Ukrayna Uyumluluk İşareti
	EurAsian Uygunluk İşareti

**TECHNICKÉ ÚDAJE****BMT18**

Typ	Multifunkční nářadí
Výrobní kód	4757 55 01 000001-999999 MJJJJ
Napětí akumulátoru	18 V ---
Otáčky naprázdno	10000-20000 min^{-1}
Úhel oscilace vlevo/vpravo	1,6/1,6°
Hmotnost (bez baterie)	1,04 kg
Hmotnost podle postupu EPTA 01/2014 (2,0 ... 9,0 Ah Ah Li-Ion)	1,46 ... 2,19 kg
Doporučená teplota okolí při provozu	-18...+50 °C
Doporučený druh baterie	L18...
Doporučená nabíječka	AL18G, BL1...

Informace o hluku

Naměřené hodnoty určené podle EN 62841. Typické hladiny hluku A nástroje:

Hladina akustického tlaku / Nepřesnost

Úroveň akustického výkonu / Nepřesnost

Noste ochranu sluchu!
 $L_{pA}=81,0 \text{ dB (A)} / K_{pA}=3 \text{ dB(A)}$
 $L_{WA}=92,0 \text{ dB (A)} / K_{WA}=3 \text{ dB(A)}$
Informace o vibracích

Celkové hodnoty vibrace (trojový vektorový součet) určené podle EN 62841.

Úroveň vibrací / Nepřesnost

Broušení s brusnou podložkou

Ponorný řez

Rovný řez

 $a_n=7,2 \text{ m/s}^2 / K=1,5 \text{ m/s}^2$
 $a_n=13,1 \text{ m/s}^2 / K=1,5 \text{ m/s}^2$
 $a_n=12,4 \text{ m/s}^2 / K=1,5 \text{ m/s}^2$
VAROVÁNÍ!

Deklarované celkové hodnoty vibrací a deklarované hodnoty hluchnosti uvedené v tomto návodu byly změřeny standardizovanou zkušební metodou a mohou být použity k porovnání jednoho mlhovače s druhým. Mohou být použity k předběžnému posouzení vystavení vibracím a hluku.

Deklarované hodnoty vibrací a hluchnosti jsou vymezeny hlavními způsoby použití tohoto mlhovače. Pokud je však mlhovač použit jiným způsobem, s jiným příslušenstvím nebo při nedostatečné údržbě, úrovně vibrací a hluku se mohou lišit. Tyto podmínky mohou podstatně zvýšit úroveň vystavení vibracím a hluku za celou pracovní dobu.

Při odhadu úrovně vystavení vibracím a hluku je nutné vzít v úvahu také dobu, kdy je mlhovač vypnutý nebo běží naprázdno. Tyto podmínky mohou podstatně snížit úroveň vystavení vibracím a hluku za celou pracovní dobu.

K ochraně obsluhy před účinky vibrací a hluku určete další bezpečnostní opatření, například provádění údržby mlhovače a příslušenství, udržování rukou v teple (v případě vibrací) a organizování pracovních cyklů.

VAROVÁNÍ! Přečtěte si všechny bezpečnostní pokyny, ilustrace a specifikace dodané s tímto produktem.

Nerespektování níže uvedených pokynů může mít za následek zásah elektrickým proudem, požár anebo vážný úraz. Ušchovejte všechny pokyny a upozornění, abyste se k nim mohli v budoucnosti vrátit.

BEZPEČNOSTNÍ UPOZORNĚNÍ K MULTIFUNKČNÍMU NÁŘADÍ

Pokud by řezný nástroj tohoto přístroje mohl přijít do styku se skrytými vodiči, držte jej během používání pouze na izolovaných plochách. Kontakt s „živým“ vodičem způsobí, že kovové části elektricky poháněného nástroje se stanou také „živými“ a způsobí elektrický úraz obsluze.

DODATEČNÉ BEZPEČNOSTNÍ A PRACOVNÍ POKYNY

Při broušení a zejména při broušení nad hlavou mějte vždy nasazeny ochranné brýle a roušku.

Při broušení olovnatých nátěrů, některých druhů dřeva a kovu musí být nasazen dechový respirátor, který zabrání vdechnutí škodlivého/toxického prachu nebo vzduchu.

Prach a piliny vznikající při používání výrobku mohou představovat zdravotní riziko pro uživatele i přihlízející. Uživatel ani přihlízející nesmějí vdechnout prach či piliny. Používejte vhodnou protiprachovou ochrannou masku.

Nepracujte s materiály, které mohou představovat zdravotní rizika (například azbest).

Upínadlo obrobku s upínacím zařízením. Neupnuté obrobky mohou způsobit vážné zranění nebo škody na majetku.

Bruska se při zastavení v důsledku přetížení automaticky restartuje. Pokud dojde k zastavení pily v důsledku přetížení, okamžitě ji vypněte. Pílu znovu nezapínejte dokud přetrvává příčina

přetížení, jinak by mohlo dojít k silnému zpětnému rázu. Určete příčinu zastavení brusky a odstraňte tuto příčinu při dodržování bezpečnostních pokynů.

Před zahájením práce na reflektoru vyjměte baterii.

ZAMÝŠLENÉ POUŽITÍ

Multifunkční nářadí je možno použít k:

- broušení a leštění kovů, dřeva, plastů a podobných materiálů pomocí dodané brusné podložky s tvarovými smrkovými papíry
 - seškrabávání a ponornému řezání neželezných kovů, dřeva, plastů, sádrokartonu apod. pomocí dodaných kovových řezných kotoučů
 - vrtání děr do zdi k připevnění vypínačů nebo elektrických zásuvek
 - zacištění spár mezi keramickými kachličkami
- Tento produkt je určen k práci uvnitř místností, v suchém, dobře osvětleném a adekvátně větraném prostředí.
- Tento produkt není určen k používání na mokré materiály či povrchy.
- Nepoužívejte výrobek jinak než je uvedeno v určeném použití.

DOPLŇUJÍCÍ BEZPEČNOSTNÍ UPOZORNĚNÍ K BATERII

VAROVÁNÍ! Ke snížení rizika požáru, úrazu a poškození výrobku v důsledku zkratu nikdy nenotejte přístroj, akumulátor ani nabíječku do tekutiny a nedovoďte, aby do nich tekutina vnikla. Korodující nebo vodivé kapaliny, jako je slaná voda, určité chemikálie a bělicí prostředky nebo výrobky, které obsahují bělidlo, mohou způsobit zkrat.

Nelikvidujte baterie v domovním odpadu či ohni. Distributoři AEG nabízejí odběr starých baterií pro ochranu životního prostředí.

Akumulátory dobíjejte pouze nabíječkou AEG. Nepoužívejte akumulátory z jiných systémů.



Nikdy žádným způsobem nerozebírejte akumulátory ani nabíječky a skladujte je pouze v suchém interiéru. Udržujte akumulátory i nabíječky stále v suchu.

Baterie, které nebyly nějakou dobu používány, by měly být před použitím dobity.

Teploty přesahující 50°C (122°F) snižují výkon akumulátoru. Vyvarujte se delšímu vystavení horku nebo slunečnímu svitu (riziko přehřátí).

Kontakty nabíječek a baterií musí být udržovány čisté.

Pro optimální životnost by se akumulátory měly po použití plně dobít.

Chcete-li získat co nejdélejší životnost akumulátoru, vyjměte po plném dobití akumulátor z nabíječky.

Při nepoužívání baterie po dobu delší než 30 dní:

- Uložte baterii na místě s teplotou pod 27 °C a bez vlhkosti.
- Skladujte baterie ve stavu nabití na 30–50 % kapacity.
- Každého půl roku skladování baterii normálním způsobem nabijte.

OCHRANA BATERIE

Baterie obsahuje ochranu proti přetížení, která pomáhá prodlužovat její životnost.

Elektronické obvody baterie vypnou přístroj automaticky při nadměrném zatížení. Restartování proveďte vypnutím a opětným zapnutím přístroje. Pokud se zařízení nespustí, může být úplně vybitá baterie. Nabít baterii.

TRANSPORT LITHIOVÝCH BATERIÍ

Lithium-iontová baterie podléhá legislativě o nebezpečném zboží.

Přeprava takových akumulátorů musí probíhat podle místních, státních a mezinárodních opatření a předpisů.

- Převoz baterií nevyžaduje další opatření.
- Komerční přeprava lithium-iontových akumulátorů třetími stranami podléhá předpisům týkajícím se nebezpečného zboží. Přípravu na přepravu a přepravu je výlučně nutné provádět řádně vyškolenými osobami a proces musí být pod dohledem odpovídajících odborníků.

Při přepravě akumulátorů:





- Ujistěte se, že kontakty baterie jsou chráněny a izolovány, aby se zabránilo zkratu.
 - Zajistěte, aby akumulátory byly v obalu zajištěny proti pohybu.
 - Nepřepravujte prasklé nebo baterie s unikajícím elektrolytem.
- Ptejte se u zásilkové společnosti na další radu.






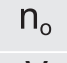





ÚDRŽBA

Používejte pouze příslušenství AEG a náhradní díly AEG. Pokud je potřeba vyměnit díly a není to popsáno, obraťte se prosím na jednoho z našich servisních zástupců AEG (podívejte se na náš seznam záručních/servisních adres).

V případě potřeby je možno objednat podrobný náčrtek výrobku. Uveďte typ přístroje a jeho sériové číslo uvedené na štítku a objednejte si výkres u svých místních servisních zástupců nebo přímo na adrese: Techtronic Industries GmbH, Max-Eyth-Straße 10, 71364 Winnenden, Germany.

SYMBOLY

	Před používáním tohoto výrobku si důkladně přečtěte pokyny.
	UPOZORNĚNÍ! VAROVÁNÍ! NEBEZPEČÍ!
	Před zahájením práce na reflektoru vyjměte baterii.
	Abyste předešli riziku úrazu nebo poškození, vyhněte se kontaktu s horkými povrchy.

	Noste ochranné brýle.
	Používejte chrániče sluchu.
	Používejte vhodnou protiprachovou ochrannou masku.
	Používejte rukavice.
	Nelikvidujte vybité baterie a elektrické a elektronické zařízení společně s netříditým komunálním odpadem. Vybité baterie a elektrický a elektronický odpad musí být shromažďovány odděleně. Vybité baterie, akumulátory a odpadní světelné zdroje musí být od zařízení odděleny. Zjistěte si u místní samosprávy nebo u maloobchodníka, jaké jsou pokyny k recyklaci a kde je sběrné místo. Podle místních nařízení mohou mít maloobchodníci povinnost brát bezplatně zpět vybité baterie, elektrický a elektronický odpad. Když budete přispívat k opětovnému použití a recyklaci vybitých baterií a elektrického a elektronického odpadu, pomůže to snížit potřebu surovin. Vybité baterie, zejména ty s obsahem lithia, elektrický a elektronický odpad obsahují cenné a recyklovatelné materiály, které mohou mít nepříznivý dopad na životní prostředí a lidské zdraví, nebudou-li zlikvidovány ekologickým způsobem. Odstraňte z odpadu osobní údaje, pokud nějaké obsahuje.
	Otáčky naprázdno
	Napětí
	Stojnosměrný proud
	Značka shody s evropskými normami
	Značka shody s ukrajinskými normami
	Euroasijská značka shody



TECHNICKÉ ÚDAJE	BMT18
Typ	Viacúčelové náradie
Výrobný kód	4757 55 01 00001-999999 MJJJJ
Napätie akumulátora	18 V ---
Otáčky bez zaťaženia	10000-20000 min^{-1}
Oscilačný uhol ľavý/pravý	1,6/1,6°
Hmotnosť (bez akumulátora)	1,04 kg
Hmotnosť podľa postupu EPTA 01/2014 (2,0 Ah ... 9,0 Ah lítiovo-iónová)	1,46 ... 2,19 kg
Odporúčaná okolitá prevádzková teplota	-18...+50 °C
Odporúčaný typ batérie	L18...
Odporúčaná nabíjačka	AL18G, BL1...

Informácie o hluku

Namerané hodnoty stanovené podľa normy EN 62841. Typické A-vážené úrovne hluku náradia sú:

Hladina akustického tlaku / Odchýlka

Hladina akustického výkonu / Odchýlka

Noste ochranu sluchu.

$L_{pA}=81,0 \text{ dB (A) / } K_{pA}=3 \text{ dB(A)}$

$L_{wA}=92,0 \text{ dB (A) / } K_{wA}=3 \text{ dB(A)}$

Informácie o vibráciách

Celkové hodnoty vibrácií (trojosový vektorový súčet) stanovené podľa normy EN 62841.

Hodnota emisií vibrácií / Odchýlka

Jemné brúsenie s brúsnou podložkou

Rezanie so zapichovaním

Orezávanie

$a_r=7,2 \text{ m/s}^2 / K=1,5 \text{ m/s}^2$

$a_p=13,1 \text{ m/s}^2 / K=1,5 \text{ m/s}^2$

$a_n=12,4 \text{ m/s}^2 / K=1,5 \text{ m/s}^2$

VAROVANIE!

Deklarované celkové hodnoty vibrácií a deklarované hodnoty emisií hluku uvedené v tomto návode na obsluhu boli merané v súlade so štandardizovanou skúškou a môžu sa použiť na porovnanie jedného náradia s druhým. Môžu sa použiť na predbežné posúdenie expozície.

Deklarované hodnoty vibrácií a emisií hluku sú pre hlavné použitia náradia. No ak sa náradie používa na iné aplikácie, v spojení s iným príslušenstvom alebo je jeho údržba nepostačujúca, emisie vibrácií a hluku sa môžu líšiť. Tieto podmienky značne zvyšujú úroveň expozície počas celkovej pracovnej doby.

Odhad úrovne expozície účinkom vibrácií a hluku musí taktiež zohľadniť čas vypnutia náradia alebo ak beží na voľnobeh. Tieto podmienky môžu značne znížiť úroveň expozície počas celkovej pracovnej doby.

Identifikujte ďalšie bezpečnostné opatrenia na ochranu obsluhy pred účinkami vibrácií a hluku, ako je napríklad udržiavanie náradia a príslušenstva, udržiavanie teplých rúk (v prípade vibrácií) a organizácia pracovných postupov.

VAROVANIE! Prečítajte si všetky pokyny s bezpečnostnými výstrahami, obrázky a parametre uvádzané pre tento výrobok. Nedodržanie všetkých nižšie uvedených pokynov môže spôsobiť zášah elektrickým prúdom, požiar a/alebo vážne zranenie. Odložte všetky upozornenia a pokyny použité v budúcnosti.

opačnom smere. Zistíte, prečo sa výrobok zastavil, odstráňte príčinu výstraženia a dodržiavajte pritom bezpečnostné pokyny.

Vyberte sadu batérií pred vykonávaním akýchkoľvek prác na výrobku.

BEZPEČNOSTNÉ VÝSTRAHY PRE VIACÚČELOVÉ NÁRADIE

Pri vykonávaní činnosti, kedy môže rezná príslušenstva prísť do kontaktu so skrytými kabeľmi, držte elektrické náradie len za izolované povrchy na uchopenie. Pri kontakte rezacieho príslušenstva so „živým“ vodičom by mohli byť obnažené kovové diely pod prúdom a spôsobiť obsluhujúcemu úder elektrickým prúdom.

ŠPECIFIKOVANÉ PODMIENKY POUŽITIA

Viacúčelové náradie je určené na:

- brúsenie a povrchovú úpravu kovov, dreva, plastov a podobných materiálov pomocou dodaných brúsnych podložiek s tvarovanými brúsnyimi papiermi;
- na obrusovanie a rezanie so zapichovaním do neželezných kovov, dreva, plastov, sadrokartónu atď. s použitím dodaných kovových rezacích nožov;
- na rezanie dier do stien na osadenie spinačov alebo elektrických zásuviek,
- na odstraňovanie škárovacích hmôt spomedzi keramických obkladačiek.

Výrobok je určený na obsluhu v interiéri v suchých, dobre osvetlených a náležite vetraných podmienkach.

Výrobok nie je určený na používanie na vlhkých materiáloch alebo plochách.

Tento produkt nepoužívajte žiadnym iným spôsobom, ako je uvedený v účele použitia.

DODATOČNÉ BEZPEČNOSTNÉ A PRACOVNÉ POKYNY

Pri jemnom brúsení, najmä ak brúsíte nad hlavou, noste vždy ochranné okuliare a masku proti prachu.

Ak brúsíte olovené nátery, niektoré druhy dreva a kovu, musíte nosiť vhodný respirátor na dýchanie, aby ste nevdychovali škodlivý jedovatý prach alebo vzduch.

Prach vznikajúci pri používaní tohto výrobku môže byť škodlivý pre zdravie obsluhy a okolostojacich. Obsluha ani okolostojaci sa nesmú prachu dotýkať ani ho vdychovať. Používajte vhodnú masku na ochranu pred prachom.

Nepracujte s materiálmi, ktoré ohrozujú zdravie, ako napr. azbest.

Upnite obrobok pomocou upínacieho zariadenia. Neupnuté obrobky môžu spôsobiť závažné poranenie a škody.

Výrobok sa po zastavení automaticky reštartuje. Ak dôjde k zastaveniu výrobku, okamžite ho vypnite. Zastavený výrobok nezapínajte, pretože by na vypínač mohla pôsobiť náhla veľká sila v

DOPLNKOVÉ BEZPEČNOSTNÉ VÝSTRAHY PRE BATÉRIU

VAROVANIE! Aby ste znížili riziko požiaru alebo poškodenia výrobku skratom, nikdy vaše náradie, akumulátor ani nabíjačku neponárajte do kvapaliny ani nedovoľte, aby sa do nich kvapalina dostala. Korodujúce alebo vodivé kvapaliny, ako je slaná voda, určité chemikálie a bieliace prostriedky alebo výrobky, ktoré obsahujú bielidlo, môžu spôsobiť skrat.



Použité akumulátory nevyhadzujte do komunálneho odpadu ani ich nespálajte. Predajcovia výrobkov značky AEG ponúkajú službu prevzatia starých akumulátorov, aby sa šetrilo naše životné prostredie.

Na nabíjanie akumulátorov AEG používajte len nabíjačky AEG. Nepoužívajte akumulátory z iných systémov.

Nikdy akumulátory a nabíjačky násilím neotvárajte a skladujte ich iba v suchých priestoroch. Akumulátory a nabíjačky uchovávajte vždy v suchu.

Akumulátory, ktoré ste nejaký čas nepoužívali, treba pred použitím nabiť.

Teploty nad 50 °C (122 °F) znižujú výkon akumulátora. Zabráňte dlhodobému vystaveniu účinkom tepla alebo slnečného žiarenia (riziko prehriatia).

Je potrebné zachovávať čistou kontaktov nabíjačiek a súprav batérií.

Na dosiahnutie optimálnej životnosti je nutné akumulátory po použití nabiť.

Na dosiahnutie najdlhšej možnej životnosti vyberte po úplnom nabití akumulátor z nabíjačky.

Pre skladovanie akumulátora dlhšie ako 30 dní:

- Akumulátor skladujte na mieste s teplotou nižšou než 27 ° C a chránený pred vlhkosťou.
- Akumulátory skladujte nabité na 30 % – 50 %.
- Každých šesť mesiacov skladovania nabite jednotku zvyčajným spôsobom.

OCHRANA AKUMULÁTORA

Akumulátor má ochranu proti preťaženiu, ktorá ho chráni pred preťažením a pomáha zabezpečiť dlhú životnosť.

Pri extrémnom zaťažení elektronika batérie automaticky vypne výrobok. Ak chcete výrobok reštartovať, vypnite ho a znova zapnite. Ak sa výrobok znovu nespustí, akumulátor môže byť úplne vybitý. Nabite akumulátor.

PREPRAVA LÍTOVÝCH AKUMULÁTOROV

Lítium-iónový akumulátor podlieha legislatíve pre nebezpečné náklady.

Prepravu týchto akumulátorov treba vykonávať podľa miestnych, štátnych a medzinárodných ustanovení a nariadení.

- Akumulátory sa môžu prepravovať po cestách bez ďalších požiadaviek.
- Na komerčnú prepravu lítium-iónových akumulátorov tretími stranami sa vzťahujú nariadenia o nebezpečných tovaroch. Prípravu na prepravu a samotnú prepravu musia vykonávať výlučne primerane zaškolené osoby a tento proces musí byť doprevádzaný zodpovedajúcimi odborníkmi.

Pri preprave akumulátorov:

- Skontrolujte, či sú konektory akumulátorov sú chránené a izolované, aby nedošlo ku skratu.
 - Akumulátor v balení zaistíte proti pohybu.
 - Neprepravujte akumulátory, ktoré sú prasknuté alebo vytekajú.
- Ďalšie pokyny zistíte u nasledujúcej spoločnosti.

ÚDRŽBA

Používajte len príslušenstvo AEG a náhradné diely AEG. Ak potrebujete vymeniť súčasti, ktoré tu nie sú opísané, kontaktujte jedného zo servisných zástupcov spoločnosti AEG (pozrite si zoznam adries pre potreby uplatnenia záruky alebo vykonania servisu).

V prípade potreby si môžete rozvinutý pohľad na výrobok objednať. Uveďte typ výrobku a sériové číslo vytlačené na štítku a objednajte si výkres u vašich miestnych servisných zástupcov alebo priamo na adrese: Techtronic Industries GmbH, Max-Eyth-Straße 10, 71364 Winnenden, Germany.

SYMBOLY



Pred spustením výrobku si dôkladne prečítajte pokyny.



UPOZORNENIE! VAROVANIE! NEBEZPEČENSTVO!



Vyberte sadu batérií pred vykonávaním akýchkoľvek prác na výrobku.



Aby ste znížili riziko poškodenia, zabráňte kontaktu s horúcim povrchom.



Používajte ochranu zraku.



Používajte chrániče sluchu.



Používajte vhodnú masku na ochranu pred prachom.



Používajte rukavice.



Odpadové batérie a akumulátory a odpadové elektrické a elektronické zariadenia nelikvidujte ako netriedený komunálny odpad. Odpadové batérie a akumulátory a odpadové elektrické a elektronické zariadenia sa musia zbierať separovane. Odpadové batérie, odpadové akumulátory a svetelné zdroje treba z výrobku vybrať. Pokyny na recykláciu a miesta recyklácie zistíte u svojho miestneho orgánu alebo predajcu. Podľa miestnych predpisov môžu mať maloobchodníci povinnosť bezplatne prevziať odpadové batérie a akumulátory a odpadové elektrické a elektronické zariadenia. Váš príspevok k opätovnému použitiu a recyklácii odpadových batérií a akumulátorov a odpadových elektrických a elektronických zariadení pomáha znižovať dopyt po surovinách. Odpadové batérie a akumulátory, konkrétne tie, ktoré obsahujú lítium, a odpadové elektrické a elektronické zariadenia obsahujú cenné a recyklovateľné materiály, ktoré môžu mať nepriaznivý vplyv na životné prostredie a ľudské zdravie, ak sa nelikvidujú ekologicky vhodným spôsobom. Odstráňte prípadné osobné údaje z odpadového zariadenia.

n_o

Otáčky bez zaťaženia

V

Napätie



Jednosmerný prúd



Európske označenie zhody



Ukrajinské označenie zhody



Euroázijská značka zhody



DANE TECHNICZNE	BMT18
Rodzaj	Narzędzie uniwersalne
Kod produkcyjny	4757 55 01 00001-999999 MJJJJ
Napięcie akumulatora	18 V ---
Prędkość bez obciążenia	10000-20000 min ⁻¹
Kąt oscylacji lewo/prawo	1,6/1,6°
Masa (bez akumulatora)	1,04 kg
Masa wg procedury EPTA 01/2014 (akumulator 2,0 Ah ... 9,0 Ah, litowo-jonowy)	1,46 ... 2,19 kg
Zalecana temperatura otoczenia w miejscu pracy	-18...+50 °C
Zalecany typ akumulatora	L18...
Zalecana ładowarka	AL18G, BL1...

Informacje o hałasie

Zmierzone wartości określono zgodnie z normą EN 62841. Typowe wartości poziomu dźwięku A dla narzędzia wynoszą:

Poziom ciśnienia akustycznego / niepewność

Poziom natężenia dźwięku / niepewność

Stosować środki ochrony słuchu!

$L_{WA}=81,0 \text{ dB (A)} / K_{WA}=3 \text{ dB(A)}$
 $L_{WA}=92,0 \text{ dB (A)} / K_{WA}=3 \text{ dB(A)}$

Informacje o wibracjach

Całkowite wartości drgań (suma wektorów trójosiowych) określono zgodnie z normą EN 62841.

Poziom emisji wibracji / niepewność

Szlifowanie arkuszem ściernym

Cięcie wgłębne

Cięcie równo z powierzchnią

$a_r=7,2 \text{ m/s}^2 / K=1,5 \text{ m/s}^2$
 $a_p=13,1 \text{ m/s}^2 / K=1,5 \text{ m/s}^2$
 $a_n=12,4 \text{ m/s}^2 / K=1,5 \text{ m/s}^2$

⚠ OSTRZEŻENIE!

Podany w niniejszej instrukcji łączny poziom emisji wibracji zmierzono zgodnie ze znormalizowaną metodą testowania — może on być wykorzystywany do wzajemnego porównywania narzędzi. Można go wykorzystywać do wstępnej oceny narażenia.

Deklarowany poziom emisji wibracji i hałasu odpowiada głównym zastosowaniom narzędzia. Jeżeli jednak narzędzie będzie używane do innych zastosowań lub z innymi akcesoriami, bądź też jeśli będzie niewłaściwie konserwowane, poziom emisji wibracji i hałasu może się różnić. Warunki takie mogą doprowadzić do znaczącego wzrostu poziomu narażenia w całym okresie eksploatacji.

Oszacowanie poziomu narażenia na wibracje i hałas powinno również uwzględniać okresy, w których narzędzie jest wyłączone bądź działa, ale nie jest wykorzystywane do pracy. Warunki takie mogą doprowadzić do znaczącego ograniczenia poziomu narażenia w całym okresie eksploatacji.

Należy zidentyfikować dodatkowe środki bezpieczeństwa mające na celu ochronę operatora przed skutkami wibracji i hałasu, takie jak konserwacja narzędzia i akcesoriów, utrzymywanie ciepła dłoni (w przypadku wibracji) oraz organizacja pracy.

⚠ OSTRZEŻENIE! Należy zapoznać się ze wszystkimi dostarczonymi z tym produktem instrukcjami, ilustracjami i specyfikacjami. Nieprzestrzeganie wszystkich poniższych instrukcji może być przyczyną porażenia prądem, pożaru i/lub poważnych obrażeń. Zachowajcie te ostrzeżenia i zalecenia, aby móc się do nich odnieść w późniejszym czasie.

NARZĘDZIE UNIWERSALNE – OSTRZEŻENIA DOTYCZĄCE BEZPIECZEŃSTWA

W trakcie pracy trzymać elektronarzędzie za izolowane uchwyty, ponieważ w przeciwnym przypadku osprzęt tnący może zetknąć się z ukrytymi przewodami. Kontakt z przewodem pod napięciem może spowodować przepływ prądu przez metalowe elementy urządzenia i porażenie operatora.

ODDATKOWE ŚRODKI BEZPIECZEŃSTWA I INSTRUKCJA EKSPLOATACJI

Podczas szlifowania, zwłaszcza nad głową, należy zawsze nosić okulary ochronne i maskę przeciwpyłową.

Podczas szlifowania farby ołowiowej oraz niektórych gatunków drewna, a także metalu, należy nosić odpowiedni aparat oddechowy, aby uniknąć wdychania szkodliwego/toksycznego pyłu lub powietrza.

Pył wytwarzany podczas korzystania z produktu może być niebezpieczny dla zdrowia operatora i osób znajdujących się w pobliżu. Ani operator, ani osoby znajdujące się w pobliżu nie powinny dotykać ani wdychać pyłu. Nosić odpowiednią maskę przeciwpyłową.

Nie obrabiać materiałów niebezpiecznych dla zdrowia, takich jak azbest.

Obrabiany element należy zamocować za pomocą zacisku.

Niezbezpieczone elementy mogą spowodować poważne obrażenia ciała i uszkodzenia.

W przypadku samoczynnego zatrzymania produktu uruchomi się automatycznie. W przypadku samoczynnego zatrzymania natychmiast wyłączyć produkt. Bezoszczędnie po samoczynnym zatrzymaniu nie włączać produktu ponownie, ponieważ może to spowodować nagłe odbicie spowodowane wysoką siłą reakcji. Określić przyczynę samoczynnego zatrzymania i usunąć ją, zwracając uwagę na zalecenia dotyczące bezpieczeństwa.

Przed rozpoczęciem pracy z produktem wymontować akumulator.

WARUNKI UŻYTKOWANIA

Narzędzi uniwersalne przeznaczone jest:

- do szlifowania i wykańczania metalu, drewna, tworzyw sztucznych lub podobnych materiałów przy użyciu dostarczonego talerza z dopasowanymi arkuszami ściernymi;
 - do skrobienia i cięcia wgłębne w metalach nieżelaznych, drewnie, tworzywach sztucznych, płytach gipsowo-kartonowych itp. za pomocą dołączonych metalowych ostrzy tnących;
 - do wycinania otworów w ścianach w celu umieszczenia wyłączników lub gniazdek elektrycznych;
 - do usuwania fug spomiędzy płytek ceramicznych.
- Produkt przeznaczony jest do pracy w pomieszczeniach zamkniętych, w miejscach suchych, dobrze oświetlonych i odpowiednio wentylowanych.

Produkt nie jest przeznaczony do stosowania na mokrych materiałach lub powierzchniach.

Nie należy używać tego produktu niezgodnie z przeznaczeniem.

AKUMULATOR — DODATKOWE OSTRZEŻENIA DOTYCZĄCE BEZPIECZEŃSTWA

⚠ OSTRZEŻENIE! Aby ograniczyć ryzyko pożaru, obrażeń oraz uszkodzenia produktu z powodu zwarcia, nigdy nie zanurzaj



narzędzia, akumulatora ani ładowarki w płynie ani nie dopuszczać do przedostania się płynu do ich wnętrza. Zwarcie spowodować mogą korodujące lub przewodzące cieczce, takie jak woda morską, określone chemikalia i wybielacze lub produkty zawierające wybielacze.

Nie należy wyrzucać zużytych akumulatorów z odpadami domowymi ani ich palić. Dystrybutorzy sprzętu AEG oferują odbiór zużytych akumulatorów w celu ochrony środowiska.

Akumulatory AEG należy ładować wyłącznie ładowarką marki AEG. Nie stosować akumulatorów z innych systemów.

Akumulatorów i ładowarek nigdy nie należy otwierać, a ponadto należy przechowywać je w suchych pomieszczeniach. Akumulatory i ładowarki powinny być zawsze suche.

Akumulatory, które nie były używane od pewnego czasu, należy ponownie naładować przed użyciem.

Temperatury przekraczające 50°C (122°F) zmniejszają efektywność akumulatora. Unikaj długotrwałego narażenia na działanie promieni słonecznych (ryzyko przegrzania).

Styki ładowarek i akumulatorów muszą być utrzymywane w czystości.

W celu uzyskania optymalnej żywotności akumulatory należy ładować do pełna po każdym użyciu.

W celu uzyskania najdłuższej możliwej żywotności akumulatora należy wyjmować go z ładowarki po naładowaniu do pełna.

W przypadku przechowywania akumulatorów dłużej niż 30 dni:

- Akumulator należy przechowywać w temperaturze poniżej 27°C i z dala od wilgoci.
- Akumulatory należy przechowywać w stanie naładowania 30–50%.
- Co sześć miesięcy przechowywania należy naładować akumulator jak zwykle.

ZABEZPIECZENIE AKUMULATORA

Akumulator posiada zabezpieczenie przed przeładowaniem, które chroni go przed przeładowaniem i zapewnia długą żywotność.

Przy ekstremalnym obciążeniu elektronika akumulatora wyłącza produkt automatycznie. Aby ponownie uruchomić produkt, należy go wyłączyć, a następnie ponownie włączyć. Jeśli produkt nie uruchomi się ponownie, może to oznaczać, że akumulator jest całkowicie rozładowany. Naładować akumulator.

TRANSPORTOWANIE AKUMULATORÓW LITOWYCH

Akumulator litowo-jonowy podlega przepisom dotyczącym produktów niebezpiecznych.

Transport tych akumulatorów musi odbywać się zgodnie z przepisami i regulacjami lokalnymi, krajowymi oraz międzynarodowymi.

- Akumulatory można przewozić drogami bez konieczności spełnienia dodatkowych wymogów.
- Komercyjny transport akumulatorów litowo-jonowych przez osoby trzecie podlega przepisom o towarach niebezpiecznych. Przygotowanie transportu oraz przewóz mogą być realizowane wyłącznie przez dobrze przeszkolony personel, a proces musi być nadzorowany przez odpowiednich ekspertów.

W trakcie transportowania akumulatorów:

- Należy upewnić się, że styki baterii są zabezpieczone i zabezpieczone, aby nie dopuścić do zwarcia.
- Upewnić się, że akumulator został zabezpieczony przed przemieszczaniem się w opakowaniu.
- Nie należy transportować pękniętych ani nieszczelnych akumulatorów.

Szczególne porady można uzyskać w firmie spedycyjnej.

KONSERWACJA

Stosować wyłącznie akcesoria i części zamienne AEG. W przypadku zaistnienia konieczności wymiany komponentów na nieopisane w niniejszej instrukcji należy skontaktować się z jednym z naszych agentów serwisowych AEG (prosimy o zapoznanie się z naszą listą podmiotów realizujących naprawy gwarancyjne i serwisowe).

W razie potrzeby można zamówić rysunek produktu rozebranego. Należy podać typ produktu i numer seryjny nadrukowany na etykiecie oraz zamówić rysunek u lokalnego przedstawiciela handlowego lub bezpośrednio: Technronic Industries GmbH, Max-Eyth-Straße 10, 71364 Winnenden, Germany.

SYMBOLE



Przed uruchomieniem produktu należy dokładnie zapoznać się z instrukcjami.



UWAGA! OSTRZEŻENIE! NIEBEZPIECZEŃSTWO!



Przed rozpoczęciem pracy z produktem wymontować akumulator.



W celu ograniczenia ryzyka obrażeń lub uszkodzeń unikać kontaktu z gorącymi powierzchniami.



Nosić ochronę oczu.



Stosować środki ochrony słuchu!



Nosić odpowiednią maskę przeciwpyłową.



Nosić rękawice.



Zużytego sprzętu elektrycznego i elektronicznego, w tym zużytych baterii i akumulatorów, nie należy wyrzucać jako nieposortowanych odpadów komunalnych.

Zużyty sprzęt elektryczny i elektroniczny, w tym zużyte baterie i akumulatory, musi być gromadzony osobno. Zużyte baterie, akumulatory i źródła światła muszą zostać usunięte ze sprzętu. Skontaktować się z lokalnymi władzami lub sprzedawcą detalicznym w celu uzyskania porad dotyczących recyklingu i punktu zbiórki odpadów. Zgodnie z lokalnymi przepisami sprzedawcy detaliczni mogą być zobowiązani do nieodpłatnego odbioru zużytego sprzętu elektrycznego i elektronicznego, w tym baterii i akumulatorów. Państwa wkład w ponowne wykorzystanie i recykling zużytego sprzętu elektrycznego i elektronicznego, w tym baterii i akumulatorów, pomaga zmniejszyć zapotrzebowanie na surowce. Zużyte baterie i akumulatory — w szczególności zawierające lit — a także pozostały sprzęt elektryczny i elektroniczny, zawierają nadające się do recyklingu i cenne materiały i surowce, które mogą mieć negatywny wpływ na środowisko naturalne i zdrowie ludzkie, jeśli nie są usuwane w sposób przyjazny dla środowiska naturalnego. Z utylizowanego sprzętu należy usunąć wszelkie ewentualne dane osobowe.



Prędkość bez obciążenia



Napięcie



Prąd stały



Symbol zgodności z przepisami europejskimi



Symbol zgodności z przepisami ukraińskimi



Znak zgodności EurAsian



MŰSZAKI ADATOK	BMT18
Típus	Többfunkciós gép
Gyártási kód	4757 55 01 00001-999999 MJJJJ
Akkumulátor feszültsége	18 V ===
Üresjárat fordulatszám	10000-20000 min ⁻¹
Oscillációs szög balra/jobbra	1,6/1,6°
Súly (akkumulátor nélkül)	1,04 kg
Súly a 01/2014. EPTA-eljárás szerint (2,0 Ah ... 9,0 Ah lítium-ion)	1,46 ... 2,19 kg
Ajánlott üzemi hőmérséklet	-18...+50 °C
Ajánlott akkumulátorfajta	L18...
Ajánlott töltő	AL18G, BL1...

Zajinformációk

A mért értékek meghatározása az EN 62841 szabvány szerint. Jellemzően az eszköz

„A” súlyozott zajsintjei:

Hangnyomásszint/bizonytalanság

Hangteljesítményszint/bizonytalanság

Viseljen fülvédőt!

$L_{pA}=81,0$ dB (A) / $K_{WA}=3$ dB(A)

$L_{WA}=92,0$ dB (A) / $K_{WA}=3$ dB(A)

Rezgési információk

Rezgés összesített értékei (háromdimenziós vektorösszeg) az EN 62841 szerint meghatározva.

Rezgés kibocsátási értéke/bizonytalanság

Csiszolás csiszolópárnával

Sülylesztett vágás

Szintben vágás

$a_r=7,2$ m/s² / $K=1,5$ m/s²

$a_p=13,1$ m/s² / $K=1,5$ m/s²

$a_n=12,4$ m/s² / $K=1,5$ m/s²

▲ FIGYELMEZTETÉS!

A jelen használati kézikönyvben közölt rezgés- és zajkibocsátási értékeket szabványosított vizsgálat segítségével mértük, amelynek segítségével az eszközök egymással összehasonlíthatók. Ezek alkalmazhatóak a kitettség előzetes felmérésére is.

A megadott rezgés-kibocsátási és zajkibocsátási szint az eszköz fő alkalmazásait jelöli. Azonban ha az eszközt nem megfelelően tartják karban, különböző alkalmazásokra vagy eltérő tartozékokkal használják, akkor a rezgés- és zajkibocsátás változhat. Ezek a beavatkozások jelentősen növelhetik a kitettségi szintet a teljes működési időtartam során.

A rezgésnek és zajnak való kitettségi szint becslült értékét akkor is figyelembe kell venni, amikor az eszköz ki van kapcsolva, vagy amikor csak tétlenül jár. Ezek jelentősen csökkenthetik a kitettségi szintet a teljes működési időtartam során.

A kezelő rezgés- és zajterhelés elleni védelméhez tegyen meg további biztonsági intézkedéseket, mint pl. az eszköz és alkatrészei karbantartása, a kéz melegen tartása (rezgés esetén) és a munkavégzési folyamat megszerzése.

▲ FIGYELMEZTETÉS! Olvassa el, illetve tekintse meg a termékhez biztosított minden biztonsági figyelmeztetést, illusztrációt és műszaki leírást. Ha nem tartja be az alábbiakban felsorolt összes utasítást, az áramütést, tüzet és/vagy súlyos sérüléseket okozhat. Órizzon meg ezeket a figyelmeztetéseket és utasításokat a későbbi tájékozódásra is.

válthat ki. Határozza meg, miért állt le a termék, igazítsa ki, tekintettel a biztonsági utasításokra.

A terméken végzett bármilyen munkálat előtt vegye ki az akkumulátort

A TÖBBFUNKCIÓS GÉP BIZTONSÁGI FIGYELMEZTETÉSEI

Ha a nagy teljesítményű gépet olyan műveletnél használja, ahol a vágótartozék rejtett vezetékekkel érintkezhet, akkor azt a szigetelt fogófelületnél tartsa meg. A feszültség alatt lévő vezetékekkel történő érintkezés során a szerszám fém alkatrészei áram alá kerülhetnek, minek következtében a kezelőt áramütés érheti.

KIEGÉSZÍTŐ BIZTONSÁGI ÉS MUNKAUTASÍTÁSOK

Csiszoláskor mindig viseljen védőszemüveget és porvédő maszkot, különösen, amikor a feje fölött csiszol.

Ölmentesítők, egyes faanyagok és fémek csiszolásakor megfelelő légzőkészüléket kell viselni, hogy elkerülhető legyen a káros/mérgező por vagy levegő belégzése.

A termék használata során keletkező por káros lehet a felhasználó és a körülötte állók egészségére. A felhasználó és a körülötte állók ne érintsék meg és ne lélegezzék be a port. Viseljen megfelelő porvédő maszkot.

Ne munkáljon meg az egészségre veszélyt jelentő anyagokat (pl. azbeszt).

Szorítsa le a munkadarabot egy szorítóval. A nem rögzített munkadarabok súlyos sérüléseket és károkat okozhatnak.

A termék automatikusan újraindul, ha leáll. Leállás esetén azonnal kapcsolja ki a terméket. Ne kapcsolja be a terméket újra, amíg leállt állapotban van, mert az nagy reaktív erővel hirtelen visszalökést

RENDELTESSZERŰ HASZNÁLAT

A többfunkciós szerszám a következőkre szól:

- fém, fa, műanyag vagy hasonló anyagok csiszolására a csiszolópárnák és mellékelt formázott csiszolólapok használatával
 - szinesfém, fa, műanyag, gipszkarton stb. kaparásához és sülylesztett vágásához a mellékelt fém vágókések segítségével
 - lyukak vágásához a falakon csatlakozók vagy konnektorok elhelyezése céljából
 - a kerámialapok közötti fugázás eltávolítására
- A terméket száraz, jól megvilágított és megfelelően szellőző, beltéri körülmények között kell használni.
- A termék nem használható nedves anyagokon vagy felületeken.
- Ne használja a terméket a rendeltetésétől eltérő célra.

AZ AKKUMULÁTOR KIEGÉSZÍTŐ BIZTONSÁGI FIGYELMEZTETÉSEI

▲ FIGYELMEZTETÉS! Tűz, személyi sérülés és termékkárosodás rövidzárlat miatti kockázatának csökkentése érdekében soha ne merítse az eszközt, az akkusomagot vagy a töltőt folyadékba, illetve ne engedje, hogy folyadék jusson ezekbe. A korrozív hatású vagy vezetőképes folyadékok, mint pl. a sós víz, bizonyos vegyi anyagok, fehérítők vagy fehéritő tartalmú termékek, rövidzárlatot okozhatnak.

Ne dobja a háztartási hulladékok közé és ne égesse el az akkumulátorokat. Környezetünk védelme érdekében az AEG viszonteladói átveszik a régi akkumulátorokat.





Az AEG akkumulátorok töltéséhez csak AEG töltőt használjon. Ne használja más rendszerek akkucsomagjait.

Soha ne szerelje szét a nyitott akkucsomagokat, és azokat csak száraz helyiségben tárolja. Az akkumulátorokat és a töltőket mindig tartsa szárazon.

A hosszabb ideig nem használt akkumulátorcsomagokat használat előtt újból fel kell tölteni.

Az 50 °C (122 °F) feletti hőmérséklet csökkenti az akkucsomag teljesítményét. Kerülje a hőnek vagy napnak való hosszabb kitettséget (túlmelegedési veszély).

A töltők és akkucsomagok érintkezőit tartsa tisztán.

Az optimális élettartam érdekében használat után az akkumulátorokat teljesen fel kell tölteni.

A lehető leghosszabb akkumulátor-élettartam eléréséhez a teljes feltöltéskor távolítsa el a töltőből az akkucsomagot.

Amennyiben 30 napnál tovább tárolja az akkumulátorcsomagot:

- Az akkumulátort olyan helyen tárolja, ahol a hőmérséklet 27 °C alatt van, és azt nem érheti nedvesség.
- Az akkumulátorcsomagokat 30%-50%-os feltöltöttségi állapotban tárolja.
- Minden fél év tárolás után a megszokott módon cserélje az akkumulátorcsomagot.

AZ AKKUMULÁTORCSOMAG VÉDELME

Az akkumulátorcsomag el van látva túlterhelés elleni védelemmel, amely megóvja a túlterheléstől és segít a hosszú élettartam biztosításában.

Extrém terhelés alatt az akkumulátor elektronikája automatikusan lekapcsolja a terméket. A termék újraindításához kapcsolja azt ki, majd újra be. Amennyiben a termék nem indul újra, lehetséges, hogy teljesen lemerült az akkumulátorcsomag. Töltse fel az akkumulátorcsomagot.

LÍTIUM AKKUMULÁTOROK SZÁLLÍTÁSA

A lítium-ion akkumulátor a veszélyes árukra vonatkozó szabályozás hatálya alá tartozik.

Az akkumulátorok szállítását a helyi, nemzeti és nemzetközi előírásokkal és szabályozásokkal összhangban kell végezni.

- Az akkumulátorokat további követelmények nélkül lehet közúton szállítani.
- A lítiumion akkumulátorok harmadik fél általi kereskedelmi szállítására a veszélyes árucikkek szabályai vonatkoznak. A szállítás előkészítését és a szállítást kizárólag megfelelően képzett személyek végezhetik, és a folyamatot szakértőknek folyamatosan ellenőrizniük kell.

Az akkumulátorok szállításakor:

- Ügyeljen arra, hogy a rövidzárlat elkerülése érdekében az akkumulátor érintkezői védve és szigetelve legyenek.
- A csomagoláson belül biztosítsa az akkucsomagot, hogy ne mozduljon el.
- Ne szállítson repedt vagy szivárgó akkumulátorokat.

További információért vegye fel a kapcsolatot a továbbítást végző céggel.

KARBANTARTÁS

Csak AEG tartozékokat és AEG pótalkatrészeket használjon. Ha olyan alkatrészeket kell kicserélni, amelyről nincs leírás, forduljon egy AEG szervizpartnerhez (lásd a garanciális helyek és szervizek listáját).

Szükség esetén megrendelheti a termék bontott nézetét. Adja meg a termék típusát és a címkeré nyomtatott sorozatszámot, és rendelje meg a tervrajzot a helyi szerviznél vagy közvetlenül az alábbi elérhetőségen: Techtronic Industries GmbH, Max-Eyth-Straße 10, 71364 Winnenden, Germany.

SZIMBÓLUMOK



A termék elindítása előtt olvassa el figyelmesen a használati utasítást.



VIGYÁZAT! FIGYELMEZTETÉS! VESZÉLY!



A terméken végzett bármilyen munkálat előtt vegye ki az akkumulátort



Sérülés vagy kár kockázatának csökkentéséhez ne érjen hozzá semmilyen forró felülethez.



Viseljen szemvédőt.



Viseljen hallásvédőt.



Viseljen megfelelő porvédő maszkot.



Viseljen kesztyűt!



Az akkumulátorok, valamint az elektromos és elektronikus berendezések hulladékait ne dobja a válogatatlan települési hulladékok közé. Az akkumulátorok, valamint az elektromos és elektronikus berendezések hulladékait elkülönítve gyűjtse. A hulladékká vált elemeket, akkumulátorokat és fényforrásokat vegye ki a berendezésből. Lépjen kapcsolatba a helyi hatósággal vagy kereskedővel az újrahasonosításra vonatkozó útmutatásért és a gyűjtőállomásokkal kapcsolatos információkért. A helyi szabályozások szerint a kereskedők kötelesek lehetnek ingyen visszavenni az akkumulátorok, illetve az elektromos és elektronikus berendezések hulladékait. A hozzájárulása az akkumulátorok, illetve az elektromos és elektronikus berendezések hulladékainak újrafelhasználásához és újrafeldolgozásához segít csökkenteni a nyersanyagok iránti keresletet. Különösen a lítiumot tartalmazó akkumulátorok, illetve az elektromos és elektronikus berendezések hulladékai értékes és újrafeldolgozható anyagokat tartalmaznak, amelyek káros hatással lehetnek a környezetre és az emberi egészségre, ha nem környezetbarát módon kezelik őket. A hulladékká vált berendezésből szükség esetén törölje a személyes adatokat.

n_o

Üresjáratú fordulatszám

V

Feszültség



Egyenáram



Európai megfelelőségi jelölés



Ukrán megfelelőségi jelölés



Eurázsiai megfelelőségi jelzés



**TEHNIČNI PODATKI****BMT18**

Tip	Večnamensko orodje
Koda proizvodnje	4757 55 01 00001-999999 MJJJJ
Napetost baterije	18 V ---
Hitrost brez obremenitve	10000-20000 min ⁻¹
Levi/desni kot vrtenja	1,6/1,6°
Teža (brez baterije)	1,04 kg
Teža skladno s postopkom EPTA 01/2014 (2,0 Ah ... 9,0 Ah Li-Ion)	1,46 ... 2,19 kg
Priporočena temperatura okolja med delovanjem	-18...+50 °C
Priporočeni tip baterije	L18...
Priporočeni polnilnik	AL18G, BL1...

Informacije o hrupu

Izmerjene vrednosti določene v skladu z EN 62841. Običajne povprečno uravnotežene stopnje hrupa orodja so:

Raven zvočnega tlaka / negotovost

Raven zvočne moči / negotovost

 $L_{WA}=81,0 \text{ dB (A)} / K_{WA}=3 \text{ dB(A)}$ $L_{WA}=92,0 \text{ dB (A)} / K_{WA}=3 \text{ dB(A)}$ **Nosite zaščito za ušesa!****Informacije o vibracijah**

Skupne vrednosti vibracij (triosna vektorska vsota), določene v skladu z EN 62841.

Vrednost oddajanja vibracij / negotovost

Brušenje z brusilno ploščico

Potopno rezanje

Poravnalno rezanje

 $a_r=7,2 \text{ m/s}^2 / K=1,5 \text{ m/s}^2$ $a_r=13,1 \text{ m/s}^2 / K=1,5 \text{ m/s}^2$ $a_r=12,4 \text{ m/s}^2 / K=1,5 \text{ m/s}^2$ **⚠ OPOZORILO!**

Skupni vrednosti emisij vibracij in emisij hrupa, navedeni v tem priročniku, sta bili izmerjeni v skladu z metodo standardiziranega preskusa in se lahko uporabljata za medsebojno primerjavo orodja. Uporabljajo se lahko za predhodno oceno stopnje izpostavljenosti.

Navedeni vrednosti emisij vibracij in hrupa veljata za glavne namene uporabe orodja. Vendar, če se orodje uporablja v druge namene, z drugačnimi dodatki ali je slabo vzdrževano, sta lahko ravni emisij vibracij in hrupa drugačni. V teh pogojih se lahko stopnja izpostavljenosti v celotnem delovnem obdobju občutno zviša.

V oceni stopnje izpostavljenosti vibracijam in hrupu je treba upoštevati tudi obdobja, v katerih je orodje ugasnjeno oziroma teče, vendar ni v dejanski uporabi. V teh pogojih se lahko stopnja izpostavljenosti v celotnem delovnem obdobju občutno zniža.

Ugotovite dodatne varnostne ukrepe za zaščito uporabnika pred učinki vibracij in hrupa, kot je vzdrževanje orodja in dodatkov, ohranjanje toplih rok (v primeru vibracij) in organizacija delovnih vzorcev.

⚠ OPOZORILO! Preberite vsa varnostna opozorila, risbe in tehnične podatke, priložene tem izdelkom.

Neupoštevanje katerega od navodil, navedenih spodaj, lahko povzroči elektrošok, požar in/ali hude telesne poškodbe. Shranite vsa opozorila in navodila za kasnejšo uporabo.

VARNOSTNA OPOZORILO ZA VEČNAMENSKO ORODJE

Med izvajanjem del, pri katerih bi rezalni dodatek lahko prišel v stik s skrito električno napeljavo, električno orodje držite za izolirana držala. Če se pripomočki za rezanje dotaknejo žice, ki je pod električno napetostjo, lahko izpostavljeni kovinski deli električnega orodja povzročijo električni udar.

DODATNA NAVODILA ZA VARNOST IN DELO

Med brušenjem, predvsem če brusite nad glavo, vedno nosite varnostna očala in protiprašno masko.

Med brušenjem svinčeve barve, nekaterih vrst lesa in kovine je treba nositi ustrezno dihalno napravo, da se prepreči vdihavanje škodljivega/strupenega prahu ali zraka.

Prah, ki nastaja med uporabo izdelka, lahko škoduje zdravju uporabnika in opazovalcev. Uporabnik in opazovalci se ne smejo dotikati in vdihavati prahu. Nosite ustrezno protiprašno masko.

Ne obdelujte materialov, ki predstavljajo nevarnost za zdravje, kot je azbest.

Obdelovanec vpnite z vpenjalno napravo. Obdelovanci, ki niso vpeti, lahko povzročijo hude poškodbe in škodo.

Izdelek se po zastoju samodejno znova zažene. Če izdelek zastane, ga takoj izklopite. Če je izdelek zastal, ga ne vklopite znova, ker lahko s tem sprožite nenaden sunek z veliko reakcijsko silo. Ugotovite vzrok za zastoj izdelka in ga odpravite, pri čemer upoštevajte varnostna navodila.

Pred izvajanjem del na pripomočku odstranite akumulatorski vložek.

DOLOČENI POGOJI ZA UPORABO

Večnamensko orodje je predvideno za naslednje uporabe:

- za brušenje in poliranje kovine, lesa, plastike ali podobnega materiala z uporabo brusilne ploščice s priloženimi oblikovanimi brusilnimi lističi
 - za obrezovanje in potopno rezanje v neželezne kovine, les, plastiko, mavec itd. z uporabo priloženih kovinskih rezil
 - za vrtnanje lukenj v stene za namestitve stikal ali vtičnic
 - za odstranjevanje fug med keramičnimi ploščicami
- Izdelek je predviden za uporabo v zaprtih prostorih, ki so suhi, dobro osvetljeni in ustrezno prezračevani.

Izdelek ni predviden za uporabo na mokrih materialih ali površinah.

Izdelka ne uporabljajte na noben način, ki ni predpisan za to napravo.

DODATNA VARNOSTNA OPOZORILO ZA BATERIJO

⚠ OPOZORILO! Za zmanjšanje nevarnosti požara, telesne poškodbe in poškodbe izdelka zaradi kratkega stika nikoli ne potopite orodja, baterijskega vložka ali polnilca v tekočino ali dopustite, da bi tekočina vdrla vanje. Korozivne ali prevodne tekočine, kot so slana voda, določene kemikalije in belila ali proizvodi, ki le ta vsebujejo, lahko povzročijo kratek stik.

Uporabljenih baterij ne odlagajte med gospodinske odpadke oziroma jih ne sežigajte. Distributerji družbe AEG ponujajo prevzem starih baterij z namenom varovanja okolja.

Baterijske vložke AEG polnite izključno s polnilci AEG. Ne uporabljajte baterij, ki pripadajo drugim sistemom.

Baterijskih vložkov in polnilcev nikoli ne odpirajte ter jih shranjujte izključno v suhih prostorih. Baterijski vložki in polnilci naj bodo vedno suhi.



Baterije, ki jih nekaj časa niste uporabljali, je treba pred uporabo napolniti.

Temperature nad 50°C (122°F) zmanjšajo učinkovitost baterij. Preprečite dolgotrajno izpostavljenost toploti ali sončni svetlobi (nevarnost pregretja).

Kontakti polnilnika in akumulatorskega sklopa morajo biti čisti.

Za zagotovitev optimalne življenjske dobe baterijskih vložkov jih je treba po uporabi povsem napolniti.

Za zagotovitev najdaljše možne življenjske dobe baterij jih odstranite iz polnilca, ko so povsem napolnjene.

Shranjevanje baterijskega vložka za dlje kot 30 dni:

- Baterijski vložek shranite v prostoru, kjer je temperatura nižja od 27 °C in ni vlage.
- Baterijske vložke shranjujte napolnjene od 30 do 50 %.
- Vsakih šest mesecev shranjevanja baterijo napolnite kot običajno.

ZAŠČITA BATERIJSKEGA VLOŽKA

Baterijski vložek ima zaščito pred obremenitvijo, ki pripomore k preprečitvi preobremenitve vložka in zagotovitvi dolge življenjske dobe.

Elektronski deli baterije v primeru velike obremenitve samodejno izklopijo izdelek. Za ponovni zagon izdelek izklopite in znova vklopite. Če se izdelek ne zažene znova, se je baterijski vložek morda povsem izpraznil. Napolnite baterijski vložek.

PREVAŽANJE LITIJEVIH AKUMULATORJEV

Za litij-ionsko baterijo velja zakonodaja o nevarnem blagu.

Prevoz teh baterij je treba izvesti v skladu z lokalnimi, nacionalnimi in mednarodnimi določbami ter predpisi.

- Cestni prevoz baterij je dovoljen brez posebnih zahtev.
- Za komercialni prevoz litij-ionskih baterij s strani tretjih oseb se uporabljajo predpisi o nevarnem blagu. Priprave za transport in transport mora izvajati ustrezno usposobljeno osebje, proces pa morajo spremljati ustrezni strokovnjaki.

Pri prevozu baterij:

- Zagotovite, da bodo kontakti baterij zaščiteni in izolirani, da ne bo prišlo do kratkega stika.
- Poskrbite, da embalaža prepreči premikanje baterij.
- Ne prevažajte poškodovanih akumulatorjev oz. akumulatorjev, ki puščajo.





Za nadaljnje informacije se obrnite na posredništvo.










VZDRŽEVANJE

Uporabljajte samo dodatke AEG in rezervne dele AEG. Če je treba zamenjati dele, ki niso opisani, se obrnite na enega od servisov družbe AEG (glejte seznam naslovov za uveljavljanje garancije/servisov).

Po potrebi lahko naročite eksplozijski pogled izdelka. Navedite vrsto izdelka in serijsko številko, natisnjeno na oznaki, ter naročite načrt pri lokalnem servisnem agentu ali neposredno na: Techronic Industries GmbH, Max-Eyth-Straße 10, 71364 Winnenden, Germany.

SIMBOLI

	Pred zagonom izdelka pazljivo preberite navodila.
	POZOR! OPOZORILO! NEVARNOST!
	Pred izvajanjem del na pripomočku odstranite akumulatorski vložek.
	Za zmanjšanje nevarnosti telesne poškodbe ali poškodbe predmetov preprečite stik z vročimi površinami.

	Nosite zaščito oči.
	Nosite ščitnike za ušesa.
	Nosite ustrezno protiprašno masko.
	Nosite rokavice.
	Odpadnih baterij in odpadne električne in elektronske opreme ne odlagajte med nesortirane gospodinjske odpadke. Odpadne baterije in odpadno električno in elektronsko opremo je treba zbirati ločeno. Odpadne baterije, odpadne akumulatorje in svetlobne vire je treba odstraniti iz opreme. Glede recikliranja in zbirališča se posvetujte z lokalnim organom ali prodajalcem. Skladno z lokalnimi predpisi morajo trgovci na drobno odpadne baterije in odpadno električno in elektronsko opremo morda brezplačno prevzeti. Vaš prispevek k ponovni uporabi in recikliranju odpadnih baterij in odpadne električne in elektronske opreme pomaga zmanjšati zahteve po surovinah. Odpadne baterije, predvsem tiste, ki vsebujejo litij, in odpadna električna in elektronska oprema vsebujejo dragocene materiale in materiale, ki jih je mogoče reciklirati, in lahko v primeru, da se ne odložijo na način, skladen z okoljem, negativno vplivajo na okolje in zdravje ljudi. Če so v odpadni opremi shranjeni osebni podatki, jih izbrišite.
n_o	Hitrost brez obremenitve
V	Napetost
	Enosmerni tok
	Evropski znak skladnosti
	Ukrajinski znak skladnosti
	EurAsian oznaka o skladnosti



TEHNIČKI PODACI	BMT18
Vrsta	Višenamjenski alat
Proizvodni kod	4757 55 01 00001-999999 MJJJJ
Napon baterije	18 V ===
Brzina bez opterećenja	10000-20000 min ⁻¹
Lijevi/desni kut oscilacije	1,6/1,6°
Težina (bez baterije)	1,04 kg
Težina u skladu s EPTA postupkom 01/2014 (2.0 Ah ... 9.0 Ah Li-Ion)	1,46 ... 2,19 kg
Preporučena okolna radna temperatura	-18...+50 °C
Preporučena vrsta baterije	L18...
Preporučeni punjač	AL18G, BL1...

Informacije o buci

Izmjerene vrijednosti u skladu s normom EN 62841. Tipično, A-ponderirane vrijednosti razine buke iznose:

Razina zvučnog tlaka / Nesigurnost

Razina jakosti zvuka / Nesigurnost

Nosite zaštitu za sluh!

$L_{WA}=81,0$ dB (A) / $K_{WA}=3$ dB(A)

$L_{WA}=92,0$ dB (A) / $K_{WA}=3$ dB(A)

Informacije o vibracijama

Ukupne vrijednosti vibracija (zbroj troosnog vektora) određene u skladu s normom EN 62841.

Vrijednost emisije vibracija / Nesigurnost

Brušenje s brusnom podlogom

Uranjajuće rezanje

Ravno rezanje

$a_r=7,2$ m/s² / $K=1,5$ m/s²

$a_p=13,1$ m/s² / $K=1,5$ m/s²

$a_n=12,4$ m/s² / $K=1,5$ m/s²

⚠ UPOZORENJE!

Deklarirane ukupne vrijednosti vibracija i deklarirane emisije buke navedene u ovom priručniku s uputama izmjerene su u skladu sa standardiziranim ispitnom metodom i mogu se koristiti za usporedbu jednog alata s drugim. Moguće ih je upotrijebiti za preliminarnu procjenu izlaganja.

Deklarirane vrijednosti razine emisije vibracija i buke predstavljaju glavne primjene alata. Međutim, ako se alat koristi za druge primjene, koristi s različitim dodacima ili ako se loše održava, emisija vibracija i buke se može razlikovati od navedene vrijednosti. Ti uvjeti mogu uzrokovati značajno povećanje razine izloženosti u ukupnom vremenu rada alatom.

Procjena razine izloženosti vibracijama i buci također bi trebala uzeti u obzir i vrijeme u kojem je alat isključen ili radi u praznom hodu. Ti uvjeti mogu uzrokovati značajno smanjenje razine izloženosti u ukupnom vremenu rada alatom.

Utvrđite dodatne sigurnosne mjere za zaštitu rukovatelja od djelovanja vibracija i buke, kao što su održavanje alata i pribora, održavanje topline ruku (u slučaju vibracija) i organiziranje radnog vremena.

⚠ **UPOZORENJE! Pročitajte i pregledajte sve sigurnosne upute, slike i specifikacije isporučene uz ovaj proizvod.** Ne budete li se pridržavali svih uputa navedenih u nastavku, može doći do strujnog udara, požara i/ili teške ozljede. Sačuvajte ova upozorenja i upute kako biste ih naknadno mogli konzultirati.

SIGURNOSNA UPOZORENJA ZA VIŠENAMJENSKI ALAT

Električni alat držite za izolirane površine za hvatanje, kada režete tako da pribor za rezanje može dotaknuti skriveno ožičenje. Dodirivanje „žive“ žice priborom za rezanje može izložiti metalne dijelove alata električnoj energiji i može dovesti do strujnog udara na operatera.

DODATNE INFORMACIJE O SIGURNOSTI I RADU

Prilikom brušenja uvijek nosite sigurnosne naočale i masku za zaštitu od prašine, osobito kada brusite površine iznad glave.

Prikladan respirator za disanje mora se nositi prilikom brušenja boje, nekih vrsta drva i metala kako bi se izbjeglo udisanje štetne/toksične prašine ili zraka.

Prašina koja nastaje tijekom korištenja proizvoda može biti štetna za zdravlje rukovatelja i nazočnih osoba. Rukovatelj i nazočne osobe ne smiju dodirivati i udisati prašinu. Nosite prikladnu masku za zaštitu od prašine.

Nemojte strojno obrađivati nijedan od materijala koji predstavlja opasnost za zdravlje, poput azbesta.

Spojite uradak s uređajem za spajanje. Odspojeni izratci mogu uzorkovati ozbiljne ozljede i oštećenje.

U slučaju zastoja u radu proizvod će se automatski ponovno pokrenuti. Ako proizvod zastaje u radu, odmah ga isključite. Nemojte ponovno uključivati proizvod dok je proizvod u zastoju, pošto tako

možete uzrokovati naglo odbijanje i odsakakanje proizvoda sa snažnom reaktivnom silom. Odredite zašto dolazi do zastoja u radu proizvoda i ispravite to, obračunajući pažnju na sigurnosne upute.

Baterijski sklop uklonite prije početka bilo kakvog rada na proizvodu.

SPECIFICIRANI UVJETI KORIŠTENJA

Višenamjenski alat namijenjen je:

- za brušenje i završnu obradu metala, drveta, plastike ili sličnih materijala pomoću abrazivnih podloga ili listova određenog oblika
 - za struganje i uranjajuće rezanje obojenih metala, drva, plastike, gipsanih ploča itd. uz korištenje dostavljenih metalnih oštrica za rezanje
 - za izrezivanje otvora u zidovima za umetanje sklopki ili utičnica
 - za uklanjanje mase za fugiranje između keramičkih pločica
- Proizvod je namijenjen za rad u dobro osvijetljenom i prikladno provjetranom zatvorenom prostoru.

Proizvod nije namijenjen za korištenje na mokrim materijalima ili površinama.

Nemojte koristiti proizvod na bilo koji drugi način od onog za koji je namijenjen.

DODATNA SIGURNOSNA UPOZORENJA ZA BATERIJU

⚠ **UPOZORENJE!** Kako biste smanjili rizik od požara, tjelesnih ozljeda i oštećenja proizvoda zbog kratkog spoja, nikada nemojte umakati svoj alat, baterijski sklop ili punjač u tekućinu ili dozvoliti da tekućina prodre u njih. Korozirajuće ili vodljive tekućine kao slana voda, određene kemikalije i sredstva za bijeljenje ili proozvod koji sadrže sredstva bijeljenja, mogu prouzročiti kratak spoj.



Ne odlažite iskorištenu bateriju u kućni otpad ili ih spaljivati. Kako bi doprinijeli zaštitu okoliša, distributeri tvrtke AEG nude mogućnost povrata starih baterija.

Za punjenje baterijskih sklopova AEG koristite samo punjače tvrtke AEG. Nemojte koristiti baterije s drugih sustava.

Nikada ne lomite i ne otvarajte baterijske sklopove i punjače i skladištite ih samo u suhim prostorijama. Baterijske sklopove i punjače održavajte suhima u svakom trenutku.

Baterije uređaja koje nisu korištene neko vrijeme treba ponovno napuniti prije korištenja.

Temperature koje prelaze 50 °C (122 °F) smanjuju performanse baterije. Izbjegavajte dugotrajno izlaganje toplini ili sunčevoj svjetlosti (opasnost od pregrijavanja).

Morate održavati čistoću kontakata punjača i baterijskih sklopova.

Za optimalni životni vijek, bateriju nakon korištenja morate potpuno napuniti.

Kako biste postigli najdulji mogući životni vijek baterije, nakon punjenja bateriju uklonite iz punjača.

Za pohranu baterije dulje od 30 dana:

- Baterije skladištite na temperaturi ispod 27°C i zaštićene od vlage.
- Baterije skladištite u stanju napunjenosti od 30%-50%.
- Svaki šest mjeseci skladištenja, bateriju napunite kao i obično.

ZAŠTITA BATERIJSKOG SKLOPA

Baterijski sklop posjeduje zaštitu od preopterećenja koja ga štiti od preopterećenja i osigurava mu dugotrajnost.

U uvjetima krajnjeg naprezanja, elektronika baterije automatski isključuje proizvod. Za ponovno pokretanje, isključite pa ponovno uključite proizvod. Ako se proizvod ponovno ne pokrene, baterijski sklop je možda potpuno ispražnjen. Napunite bateriju.

TRANSPORTIRANJE LITIJSKIH BATERIJA

Litij ionska baterija je predmet zakona o opasnim tvarima.

Prijevoz tih baterija mora se izvršiti u skladu s lokalnim, nacionalnim i međunarodnim odredbama i propisima.

- Baterije se mogu prevoziti cestovnim putem bez dodatnih zahtjeva.
- Komercijalni transport litij-ionskih baterija od strane trećih strana podložno je relevantnim Propisima o opasnim tvarima (Dangerous Goods Regulations, DGR). Priprema transporta i transport isključivo provode odgovarajuće obučene osobe i pristupak treba uskladiti s odgovarajućim stručnjacima.

Prilikom transporta baterija:


- Osigurajte da su kontaktni terminali baterije zaštićeni i izolirani za sprječavanje kratkog spoja.
- Osigurajte da je baterija u ambalaži učvršćena tako da se spriječi njeno pomicanje.
- Nemojte transportirati baterije koje su polomljene ili cure. Provijerite kod kompanije koja transportira za daljnju pomoć.

ODRŽAVANJE












Koristite isključivo nastavke, dodatke i rezervne dijelove tvrtke AEG. Ako je komponente koje nisu opisane potrebno zamijeniti, obratite se našem AEG servisnom agentu (pogledajte naš popis jamstvenih/servisnih adresa).

Crtež prikaza rastavljenog sklopa proizvoda moguće je naručiti prema potrebi. Navedite vrstu proizvoda i serijski broj otisnut na oznaci i naručite crtež od svojih lokalnih servisnih predstavnika ili izravno na: Technic Industries GmbH, Max-Eyth-Straße 10, 71364 Winnenden, Germany.

SIMBOLI

 Prije pokretanja proizvoda pažljivo pročitajte upute.

 OPREZ! UPOZORENJE! OPASNOST!

	Baterijski sklop uklonite prije početka bilo kakvog rada na proizvodu.
	Kako biste smanjili rizik od ozljede ili oštećenja, izbjegavajte kontakt sa svakom vrućom površinom.
	Nosite zaštitu za oči.
	Nosite štitičke za uši.
	Nosite prikladnu masku za zaštitu od prašine.
	Nosite rukavice.
	Otpadne akumulatore, otpadnu električnu i elektroničku opremu nemojte odlagati kao nesortirani komunalni otpad. Otpadni akumulatori i otpadna električna i elektronička oprema moraju se prikupljati odvojeno. Otpadne baterije, otpadni akumulatori i izvori svjetla moraju se ukloniti iz opreme. Od lokalnih nadležnih tijela ili trgovca zatražite savjete koji se odnose na recikliranje i mjesto za skupljanje otpada. U skladu s lokalnim propisima, trgovci u maloprodaji imaju obvezu besplatnog preuzimanja otpadnih baterija i otpadne električne i elektroničke opreme. Vaš doprinos ponovnoj upotrebi i recikliranju otpadnih baterija i otpadne električne i elektroničke opreme pomaže u smanjenju potrebe za sirovinama. Otpadne baterije, osobito one koje sadrže litij i električna i elektronička oprema sadrži i vrijedne materijale koje je moguće reciklirati, koji mogu negativno utjecati na okoliš i ljudsko zdravlje, ako se ne uklanja na način ekološki sukladan s okolišem. Izbrišite osobne podatke iz otpadne opreme, ako ih ima.
n_o	Brzina bez opterećenja
V	Napon
	Istosmjerna struja
	Europska oznaka sukladnosti
	Ukrajinska oznaka sukladnosti
	EurAsian znak konformnosti



TEHNISKIE DATI	BMT18
Veids	Daudzfunkcionālais instruments
Ražošanas kods	4757 55 01 00001-999999 MJJJJ
Akumulatora spriegums	18 V ---
Tukšgaitas ātrums	10000-20000 min ⁻¹
Svārstību leņķis pa kreisi / pa labi	1,6/1,6°
Svars (bez baterijas)	1,04 kg
Svars saskaņā ar EPTA procedūru 01/2014 (2,0 Ah ... 9,0 Ah Li-jonu)	1,46 ... 2,19 kg
Ieteicamā apkārtējās vides temperatūra lietošanai	-18...+50 °C
Ieteicamais akumulatora veids	L18...
Ieteicamais lādētājs	AL18G, BL1...

Trokšņu informācija

Izmērītās vērtības noteiktas saskaņā ar EN 62841. Parasti instrumenta A-svērtie skaņu līmeņi ir:

Skaņas spiediena līmenis / Nenoteiktība

Skaņas jaudas līmenis / Nenoteiktība

Lietojiet dzirdes aizsargus!

$L_{pA}=81,0$ dB (A) / $K_{pA}=3$ dB(A)

$L_{wA}=92,0$ dB (A) / $K_{wA}=3$ dB(A)

Vibrācijas informācija

Vibrāciju kopējā vērtība (trīs asu vektoru summa), kas noteikta saskaņā ar EN 62841:

Vibrāciju veidošanās vērtība / Nenoteiktība

Slīpēšana ar slīpēšanas paliktni

Gremdgrīšana

Zāģēšana

$a_w=7,2$ m/s² / $K=1,5$ m/s²

$a_n=13,1$ m/s² / $K=1,5$ m/s²

$a_h=12,4$ m/s² / $K=1,5$ m/s²

BRĪDINĀJUMS!

Deklarētie kopējie vibrāciju līmeņi un deklarētie trokšņu izstarošanas līmeņi, kas norādīti šajā instrukcijā ir mērīti saskaņā ar standartizētajiem testiem, un var tikt izmantoti viena instrumenta salīdzināšanai ar citu. Tos var izmantot sākotnējai ietekmes novērtēšanai.

Deklarētās vibrāciju un trokšņu veidošanās vērtības atspoguļots galvenajam instrumenta pielietojumam. Tomēr, ja instruments tiek izmantots citam pielietojumam, izmantots ar citiem aksesuāriem, vai netiek pienācīgi kopts, vibrāciju un trokšņu līmenis var atšķirties. Šie apstākļi var būtiski palielināt ietekmes līmeni visā darba laikā.

Vibrāciju un trokšņu iedarbības līmeņa noteikšanai jāņem vērā arī laika posmi, kad instruments ir izslēgts, vai arī darbojas tukšgaitā. Šie apstākļi var būtiski samazināt ietekmes līmeni visā darba laikā.

Nosakiet papildu drošības pasākumus, lai aizsargātu lietotāju no vibrācijas un trokšņu ietekmes, piemēram, veicot instrumenta un aprīkojuma apkopes, roku uzturēšana siltumā (vibrāciju gadījumā), vai organizējot darba grafiku.

BRĪDINĀJUMS! Izlasiet visus drošības brīdinājumus, norādes, ilustrācijas un specifikaācijas, kas sniegtas kopā ar šo izstrādājumu. Turpmāk minēto instrukciju neievērošanas gadījumā var tikt gūts elektriskā strāvas trieciens un/vai smagas traumas vai izcelties ugunsgrēks. Brīdinājumus un instrukcijas saglabājiet turpmākai uziņai.

DAUDZFUNKCIONĀLĀ INSTRUMENTA DROŠĪBAS BRĪDINĀJUMI

Turiet elektroinstrumenti tikai aiz izolētajām satveršanas virsmām, gadījumos, kad veicamā darba laikā griešanas aprīkojums var nonākt saskarsmē ar apslēptu vadu instalāciju. Griezējinstrumenta saskare ar strāvu vadošajām vietām var padarīt arī atklātās metāla daļas vadošas un radīs operatoram elektrisko triecienu.

PAPILDU DROŠĪBAS UN DARBA NORĀDES

Slīpējot vienmēr valkājiet aizsargbrilles un putekļu masku, jo īpaši slīpējot virs galvas.

Lai izvairītos no kaitīgu/toksisku putekļu vai gaisa ieelpošanas, svina krāsas, dažu koksnes veidu un metāla slīpēšanas laikā jāvalkā piemērots elpošanas respirators.

Produkta izmantošanas laikā radītie putekļi var būt kaitīgi lietotāja un apkārtējo veselībai. Lietotājs un apkārtējie nedrīkst saskarties un ieelpot putekļus. Valkājiet piemērotu putekļu aizsargmasku.

Neslīpējiet jebkādas materiālus, kas rada briesmas veselībai, piemēram, azbestu.

Nostipriniet apstrādājamo objektu ar nostiprinājuma skavu. Neiespīlētās sagataves var izraisīt nopietnas traumas un bojājumus.

Ja apstājas, produkts automātiski atsāks darboties. Ja produkts apstājas, nekavējoties to izslēdziet. Neieslēdziet produktu, kamēr tas ir nobloķējies, jo šādā veidā var izraisīt pēkšņu augsta reaktivā

spēka atbrīvošanos. Nosakiet, kāpēc produkts ir apstājies, un novērsiet traucējumus, pievēršot uzmanību drošības instrukcijām. Noņemiet akumulatora bloku pirms veikt jebkādas darbus ar pūtēji.

ĪPAŠI LIETOŠANAS APSTĀKĻI

Daudzfunkcionālo instrumentu ir paredzēts izmantot:

- metāla, koka, plastikāta un līdzīgu materiālu slīpēšanai un pulēšanai, izmantojot slīpēšanas paliktni ar komplektācijā iekļautajām abrazīvā materiāla loksņēm.
 - skrāpēšanai un gremdgrīšanai krāsainā metāla, koka, plastmasas, ģipškartona un citos materiālos, izmantojot paredzētos metāla griešanas asmeņus
 - caurumu griešanai sienās, lai izvietotu slēdzus vai elektrības kontaktligzdas
 - lai iztīrītu šuvu starp keramikas flīzēm
- Produkts ir paredzēts lietošanai iekšējās telpās, labi apgaismotos un pietiekamas ventilācijas apstākļos.
- Produkts nav paredzēts lietošanai uz mitriem materiāliem vai virsmām.
- Neizmantojiet ierīci citiem mērķiem, bet tikai tam paredzētajiem.

PAPILDU AKUMULATORU BLOKA DROŠĪBAS BRĪDINĀJUMI

BRĪDINĀJUMS! Lai samazinātu aizdegšanās, ievainojumu un produkta bojājumu risku, kas radies īssavienojuma rezultātā, nekad neiemērciet instrumentu, akumulatoru bloku vai lādētāju šķidrumā vai nepieļaujiet šķidruma ieplūšanu tajos. Koroziju izraisoši vai vadītspējīgi šķidrumi, piemēram, sālsūdens, noteiktas ķīmikālijas, balinātāji vai produkti, kas satur balinātājus, var izraisīt īssavienojumu.



Neizmetiet izlietotos akumulatorus sadzīves atkritumos un nededziniet tos. AEG izplatītāji piedāvā nolietoto akumulatoru savākšanu, lai aizsargātu mūsu vidi.

AEG akumulatoru lādēšanai izmantojiet tikai AEG lādētājus. Neizmantojiet akumulatoru blokus citām sistēmām.

Nekad neatveriet akumulatoru blokus un lādētājus, glabājiet tos tikai sausās telpās. Vienmēr uzturiet akumulatoru blokus un lādētājus sausus.

Akumulatoru blokus, kuri kādu laiku nav bijuši lietošanā, pirms lietošanas nepieciešams uzlādēt.

Temperatūras, kas pārsniedz 50°C (122°F) samazina akumulatoru bloka veiktspēju. Izvairieties no ilgstošas pakļaušanas karstumam vai tiešiem saules stariem (pārkaršanas risks).

Akumulatoru un to lādētāju kontaktus ir jāuztur tīrus.

Optimālam darba mūžam akumulatoru bloku pēc lietošanas pilnībā jāuzlādē.

Lai iegūtu garāko iespējamo akumulatora darba mūžu, izņemiet akumulatoru bloku no lādētāja, kad tas ir līdz galam uzlādēts.

Akumulatoru bloku glabāšanai ilgāk par 30 dienām:

- Glabājiet akumulatoru bloku sausā vietā, kur temperatūra ir zemāka par 27°C.
- Glabājiet akumulatorus stāvoklī, kad to lādiņš ir 30%-50% no pilna.
- Reizi sešos mēnešos veiciet akumulatora bloka uzlādi kā parasti.

AKUMULATORU BLOKA AIZSARDZĪBA

Akumulatoru blokam ir pārslodzes aizsardzība, kas aizsargā to un palīdz nodrošināt ilgu darbību.

Galēju slodžu gadījumā akumulatora elektronika automātiski izslēdz produktu. Lai atiestatītu produktu, izslēdziet un tad ieslēdziet produktu. Ja produkts nesāk darboties, akumulatora bloks var būt pilnīgi izlādējies. Uzlādējiet akumulatoru bloku.

LITIJA BATERIJU TRANSPORTĒŠANA

Litija jonu baterija ir pakļauta bīstamo preču likumdošanai.

Šo akumulatoru pārvadāšana ir jāveic saskaņā ar vietējo, valsts un starptautisko likumdošanu un normatīvajiem aktiem.

- Akumulatorus drīkst pārvadāt ar autotransportu bez turpmākiem ierobežojumiem.
- Uz Litija jonu akumulatoru trešo pušu veiktiem komercpārvadājumiem tiek attiecināti Bīstamo kravu pārvadājumu noteikumi. Transporta sagatavošanu un transportēšanu veic attiecīgi apmācītas personas un procesus jāpārtrauca ekspertiem.

Pārvadājot akumulatorus:

- Nodrošiniet, ka baterijas saskares termināļi ir aizsargāti un izolēti, lai novērstu īssavienojumus.
- Nodrošiniet, ka akumulatora bloks iepakojumā ir nekustīgi nostiprināts.
- Netransportējiet iepakļausušas baterijas vai baterijas, kurām ir noplūde.

Lūdziet padomu kravu pārvadāšanas uzņēmumam.

APKOPE

Izmantojiet tikai AEG papildaprīkojumu un AEG rezerves daļas. Ja nepieciešams nomainīt daļas, kuras nav aprakstītas, sazinieties ar vienu no mūsu AEG servisu pārstāvjiem (skatīt sarakstu ar mūsu garantijas/servisu adresēm).

Ja nepieciešams, iespējams pasūtīt produkta sprādzienveida skatu. Norādiet produkta veidu un sērijas numuru, kas uzdrukāts uz etiķetes, un pasūtiet attēlu pie Jūsu vietējā servisa pārstāvjiem vai tieši no: Technonic Industries GmbH, Max-Eyth-Straße 10, 71364 Winnenden, Germany.

APZĪMĒJUMI



Lūdzu rūpīgi izlasiet instrukcijas, pirms sākt lietot produktu.



UZMANĪBU! BRĪDINĀJUMS! BĪSTAMI!



Neņemiet akumulatora bloku pirms veikt jebkādas darbus ar pūtēju.



Lai samazinātu ievainojumu vai bojājumu risku, izvairieties no saskarsmes ar jebkuru karstu virsmu.



Valkājiet acu aizsarglīdzekļus.



Lietojiet dzirdes aizsargus.



Valkājiet piemērotu putekļu aizsargmasku.



Valkājiet cimdus.



Neizmetiet akumulatoru atkritumus kā nešķirotus sadzīves atkritumus. Akumulatoru atkritumi, elektrisko un elektronisko iekārtu atkritumi jāsavāc atsevišķi. Bateriju, akumulatoru un gaismas avotu atkritumi ir jāizņem no iekārtām. Sazinieties ar vietējo pašvaldību vai mazumtirgotāju, lai saņemtu ieteikumus pārstrādei un savākšanas punktos. Saskaņā ar vietējiem noteikumiem mazumtirgotājiem var būt pienākums bez maksas pieņemt atpakaļ akumulatoru, elektrisko un elektronisko iekārtu atkritumus. Jūsu ieguldījums elektrisko un elektronisko iekārtu atkritumu otrreizējā izmantošanā un otrreizējā pārstrādē palīdz samazināt izejvielu pieprasījumu. Akumulatoru atkritumi, it īpaši tie, kas satur litiju, un elektrisko un elektronisko iekārtu atkritumi satur vērtīgus un pārstrādājamus materiālus, kas var nelabvēlīgi ietekmēt vidi un cilvēku veselību, ja tos neapglabā videi draudzīgā veidā. Izdzēsiet no atkritumos nododamajām iekārtām personīgos datus, ja tādi tur ir.



Tukšgaitas ātrums



Spriegums



Līdzstrāva



Eiropas atbilstības zīme



Ukrainas atbilstības zīme



EurAsian atbilstības marķējums

**TECHNINIAI DUOMENYS****BMT18**

Tipas	Universalusis įrankis
Gamybos kodas	4757 55 01 000001-999999 MJJJJ
Akumulatoriaus įtampa	18 V ---
Greitis be apkrovimo	10000-20000 min ⁻¹
Osciliacijos kampas, kairėn / dešinėn	1,6/1,6°
Svoris (be akumulatorinės baterijos)	1,04 kg
Svoris pagal EPTA procedūrą 01/2014 (2,0 Ah ... 9,0 Ah ličio jonų)	1,46 ... 2,19 kg
Rekomenduojama darbo aplinkos temperatūra	-18...+50 °C
Rekomenduojamas akumulatoriaus tipas	L18...
Rekomenduojamas kroviklis	AL18G, BL1...

Informacija apie keliamą triukšmą

Išmatuotosios vertės, nustatytos pagal standartą EN 62841. Įrankio nustatyteji A triukšmo lygiai dažniausiai yra:

Garso slėgio lygis / paklaida

Garso galios lygis / paklaida

$L_{pA}=81,0$ dB (A) / $K_{pA}=3$ dB(A)

$L_{WA}=92,0$ dB (A) / $K_{WA}=3$ dB(A)

Dėvėkite ausų apsaugos priemones!**Informacija apie keliamą vibraciją**

Bendrosios vibracijos vertės (triaušo vektorius suma), nustatytos pagal standartą EN 62841.

Vibracijos emisijos vertė / paklaida

Šlifavimas naudojant šlifavimo pagrindą

Įleidžiamasis pjovimas

Lygusis pjovimas

$a_r=7,2$ m/s² / $K=1,5$ m/s²

$a_p=13,1$ m/s² / $K=1,5$ m/s²

$a_n=12,4$ m/s² / $K=1,5$ m/s²

⚠ ĮSPĖJIMAS!

Šioje naudojimo instrukcijoje nurodytos keliamos vibracijos vertės nustatytos atsižvelgiant į standartinį bandymo metodą, todėl jas galima palyginti su kitų elektrinių įrankių keliamą vibraciją. Jos taip pat gali būti naudojamos preliminariam vibracijos poveikiui įvertinti.

Deklaruojamos vibracijos ir skeidžiamo triukšmo vertės atspindi pagrindinius įrenginio taikymo būdus. Tačiau, jei šiuo įrenginiu atliekami kiti darbai, naudojant kitus priedus arba prastai prižiūrimus priedus, keliamos vibracijos ir triukšmo vertės gali skirtis. Šiomis sąlygomis gali žymiai padidėti vibracijos poveikio lygiai per visą darbo laiką.

Vertinant vibracijos ir triukšmo poveikio lygį per tam tikrą darbo laikotarpį, reikia atsižvelgti ne tik į laiką, kai įrenginys veikia, bet ir į tą laiką, kai įrenginys yra išjungtas, ir į laiką, kai jis veikia tuščiaja eiga be apkrovos. Šiomis sąlygomis gali žymiai sumažėti vibracijos poveikio lygis per visą darbo laiką.

Nustatykite papildomas saugos priemones, skirtas operatoriui apsaugoti nuo vibracijos ir triukšmo poveikio, pvz., techniškai prižiūrėkite įrenginį ir priedus, laikykite rankas šiltais (vibracijos atveju) ir organizuokite darbo pamainas.

⚠ ĮSPĖJIMAS! Perskaitykite visus su šiuo gaminiu pateiktus saugos įspėjimus, nurodymus, paveikslėlius ir specifikacijas. Nesilaikant visų toliau išvardytų nurodymų, galite patirti elektros smūgį, sukelti gaisrą ir (arba) sunkiai susižeisti. Saugokite šiuos įspėjimus ir nurodymus, kad galėtumėte vadovautis jais vėliau.

užstrigęs, antraip kils stiprios atatarankos pavojus. Išsiaiškinkite įrankio užstrigimo priežastį ir pašalinkite ją, nepamirškite laikytis saugos taisyklių.

Prieš pradėdami bet kokius darbus gaminyje išimkite akumuliatorių bloką.

UNIVERSALUSIOJO ĮRANKIO NAUDOJIMO SAUGOS TAISYKLĖS

Dirdami darbus, kurių metu pjovimo priedas galėtų prisiliesti prie paslėptų laidų, laikykite elektrinį įrankį tik už izoliuotų paviršių. Pjovimo metu priedas, prisilietęs prie laido, prijungto prie maitinimo šaltinio, gali aktyvuoti metalines elektrinio įrankio detales ir sukelti operatoriui elektros smūgį.

PAPILDOMOS SAUGOS IR DARBO TAISYKLĖS

Šlifudami, ypač virš galvos esančius paviršius, visada dėvėkite apsauginius akinius ir apsauginę kaukę.

Šlifuojant švino dažus, kai kurias medienos rūšis ir metalą, privaloma dėvėti tinkamą respiratorių, kad būtų išvengta kenksmingų ir (arba) toksiškų dulkių ar oro.

Dulkės, kylančios naudojant šį įrenginį, gali kelti pavojų naudotojo ir šalia esančių žmonių sveikatai. Naudojantis ir šalia esantys žmonės privalo neliesiti ir neįkvėpti dulkių. Dėvėkite tinkamą apsaugos nuo dulkių kaukę.

Neapdirbkite jokių medžiagų, kurios kelia pavojų sveikatai, pvz., asbesto.

Suspauskite ruošinį spaustuviu. Neprispausti ruošiniai gali pajudėti ir sukelti sunkių traumų ar apgadinti vietą, prie kurios yra tvirtinami.

Įrankiu užstrigus, iš naujo jis pasileidžia automatiškai. Jei įrankis užstrigtų, nedelsiant jį išjunkite. Nebandykite jungti įrankio, kol jis

YPATINGOS NAUDOJIMO SĄLYGOS

Universalusis įrankis skirtas:

- metalui, medienai, plastikams ar panašioms medžiagoms šlifuoti ir dailinti naudojant pateiktuosius įvairių formų šlifavimo pagrindus;
- spalvotiesiems metalams, medienai, plastikui, gipso kartono plokštėms ir pan. grandyti ir pjautyti įleidžiamaisiais pjūviais, naudojant pateiktus metalo pjovimo diskus;
- skylėms sienose išpjauti, kad būtų galima įrengti jungiklius arba elektros lizdus;
- skiedinių tarp keraminių plytelių šalinai.

Įrenginys skirtas naudoti sausoje, gerai apšviestoje ir tinkamai vėdinamoje patalpoje.

Įrenginys nėra skirtas drėgnoms medžiagoms ar paviršiams apdoroti.

Gaminį galima naudoti tik pagal paskirtį.

PAPILDOMI AKUMULIATORIAUS SAUGOS ĮSPĖJIMAI

⚠ ĮSPĖJIMAS! Siekiant sumažinti gaisro, susižeidimų ir įrangos pažeidimų pavojus, galinčius kilti dėl trumpojo elektros jungimo, pasirūpinkite, kad akumuliatorius arba įkroviklis niekada nebūtų panardintas į jokią skystį, o taip pat, kad skystis nepatektų į jų vidų. Koroziją sukeltantys arba laidūs skysčiai, pvz., sūrus vanduo, tam tikri chemikalai ir balikliai arba produktai, kurių sudėtyje yra baliklių, gali sukelti trumpąjį jungimą.





Nemeskite panaudotų baterijų blokų kartu su buitinėmis atliekomis ir nedeginkite jų. AEG platintojai siūlo sugrąžinti senus akumuliatorius perdirbimui, kad būtų saugoma gamta.

Akumuliatorius kraukite tik AEG įkrovikliais. Nenaudokite akumuliatorių iš kitų sistemų.

Niekada nebandykite atidaryti akumuliatorių ar įkroviklių, ir laikykite juos sausoje vietoje. Akumuliatoriai ir įkrovikliai visada privalo būti sausi.

Ilgai nenaudotus akumuliatorius prieš naudojimą privaloma įkrauti.

Esant aukštesnei nei 50 °C (122 °F) temperatūrai, akumuliatoriaus veiksmingumas sumažėja. Saugokite nuo ilgalaikio karščio arba saulėkaitos poveikio (gali kilti perkaitimo pavojus).

Įkroviklių ir akumuliatorių kontaktai privalo būti švarūs.

Norint, kad akumuliatorius tarnautų optimaliai ilgai, po kiekvieno panaudojimo jį būtina visiškai įkrauti.

Norint, kad akumuliatorius kuo ilgiau tarnautų, atjunkite jį nuo kroviklio, kai tik jis bus visiškai įkrautas.

Jei akumuliatorius bus sandėliuojamas ilgiau nei 30 dienų:

- Laikykite akumuliatorių sausoje vietoje, kurioje temperatūra yra žemesnė nei 27°C.
- Akumuliatorius sandėliuokite įkrautus 30–50 %.
- Praėjus šešiesiems mėnesiams nuo saugojimo, akumuliatorių įkraukite, kaip visada.

AKUMULIATORIAUS APSAUGA

Akumuliatorius turi apsaugą nuo perkrovo, kuri apsaugo jį nuo perkrovimo ir padeda pailginti jo eksploataavimo laiką.

Esant ekstremalioms sąlygoms, akumuliatoriaus elektronika automatiškai išjungia įrenginį. Norėdami vėl paleisti įrenginį, jį išjunkite ir vėl įjunkite. Jei įrenginys nepasileidžia, galbūt visiškai išsikrovė akumuliatorius. Įkraukite akumuliatorių.

LIČIO BATERIJŲ TRANSPORTAVIMAS

Ličio-jonų akumuliatoriui taikomi įstatymai dėl pavojingų prekių.

Šie akumuliatoriai transportuojami laikantis atitinkamų vietos, nacionalinių ir tarptautinių taisyklių bei reglamentų.

- Akumuliatorių gabenimui keliais netaikomi jokie papildomi reikalavimai.
- Trečiųjų šalių vykdomam komerciniam ličio jonų akumuliatorių transportavimui taikomos taisyklės dėl pavojingų prekių vežimo. Parengti gabenimui ir gabenti išimtinai gali tik atitinkamai apmokyti asmenys, o visą procesą turi prižiūrėti atitinkami specialistai.

Veždami akumuliatorius:

- Baterijų kontaktiniai gnybtai turi būti apsaugoti ir izoliuoti, kad nevyktų trumpasis jungimas.
 - Užtikrinkite, kad akumuliatorius būtų tvirtai ir saugiai supakuotas.
 - Įskilusių ir tekančių akumuliatorių negabenkite.
- Dėl tolesnių patarimų kreipkitės į transporto įmonę.

PRIEŽIŪRA

Naudokite tik AEG priedus ir AEG atsargines dalis. Jei reikėtų pakeisti naudojimo instrukcijoje neaprašytus komponentus, kreipkitės į mūsų AEG techninės priežiūros atstovą (žr. mūsų garantinio aptarnavimo / techninės priežiūros skyrių adresų sąrašą).

Jei reikia, galite užsisakyti įrenginio dalių brėžinį. Nurodykite įrenginio tipą ir serijos numerį, išspausdintą etiketėje, ir užsisakykite brėžinį iš artimiausio techninės priežiūros skyriaus arba tiesiogiai: Techtronic Industries GmbH, Max-Eyth-Straße 10, 71364 Winnenden, Germany.

ŽENKLAI



Prieš naudodamiesi įrankiu, atidžiai perskaitykite šią naudojimo instrukciją.



PERSPĖJIMAS! ĮSPĖJIMAS! PAVOJUS!



Prieš pradėdami bet kokius darbus gaminyje išimkite akumuliatorių bloką.



Norėdami išvengti sužalojimų ar žalos, stenkitės neliesi įkaitusio paviršiaus.



Dėvėkite akių apsaugos priemones.



Naudokite ausų apsaugos priemones.



Dėvėkite tinkamą apsaugos nuo dulkių kaukę.



Dėvėkite apsaugines pirštines.



Neišmeskite senų akumuliatorių, elektros ir elektroninės įrangos atliekų kartu su nerūšiuotomis komunalinėmis atliekomis. Seni akumuliatoriai, elektros ir elektroninės įrangos atliekas privaloma surinkti atskirai. Senos baterijos, akumuliatoriai ir šviesos šaltinių atliekos turi būti pašalinti iš įrangos. Kur rasti surinkimo ir perdirbimo punktą ir kaip tinkamai užliuzuoti seną įrenginį, kreipkitės į vietos valdžios įstaigą ar pardavėją. Atsižvelgiant į vietos teisės aktus, mažmenininkai gali būti įpareigoti nemokamai priimti atgal senus akumuliatorius ir elektros bei elektroninės įrangos atliekas. Prisidėdami prie pakartotinio senų akumuliatorių ir elektros bei elektroninės įrangos atliekų panaudojimo ir perdirbimo padedate mažinti žaliavų poreikį. Senuose akumuliatoriuose, ypač tuose, kuriuose yra ličio, elektros ir elektroninės įrangos atliekose yra vertingų ir perdirbimui tinkamų medžiagų, kurios gali turėti neigiamą poveikį aplinkai ir žmonių sveikatai, jei nėra šalinamos aplinkai nekenksmingu būdu. Ištrinkite senuose prietaisuose esančius asmens duomenis, jei tokių buvo.

n_o

Greitis be apkrovimo

V

Voltais



Nuolatinėrovė



Europos atitikties ženklas



Ukrainos atitikties ženklas



„EurAsian“ atitikties ženklas





TEHNILISED ANDMED	BMT18
Tüüp	Universaaltööriist
Tootekood	4757 55 01 000001-999999 MJJJJ
Aku pingeline	18 V \equiv
Kiirus ilma koormuseta	10000-20000 min ⁻¹
Võnkenurk vasak/parem	1,6/1,6°
Kaal (ilma akuta)	1,04 kg
Kaal vastavalt EPTA protseduurile 01/2014 (2,0 Ah ... 9,0 Ah liitumioon)	1,46 ... 2,19 kg
Soovitav ümbritseva keskkonna temperatuur töötamiseks	-18...+50 °C
Soovitav aku tüüp	L18...
Soovitav laadija	AL18G, BL1...

Andmed müra kohta

Möödetud väärtused vastavad standardile EN 62841. Tööriista A-korrigeeritud müratasemed on üldjuhul:

Hellirõhutase / määramatus

Hellivõimsuse tase / määramatus

$L_{WA}=81,0$ dB (A) / $K_{WA}=3$ dB(A)

$L_{WA}=92,0$ dB (A) / $K_{WA}=3$ dB(A)

Kandke kuulmise kaitsevahendeid!

Andmed vibratsiooni kohta

Standardile EN 62841 vastavad vibratsiooni koguväärtused (kolmiaktsiaalvektori summa):

Vibratsioonitase / määramatus

Lihvpadjaga lihvimine

Lintsaga lõikamine

Tasapinnaline lõikamine

$a_r=7,2$ m/s² / $K=1,5$ m/s²

$a_p=13,1$ m/s² / $K=1,5$ m/s²

$a_n=12,4$ m/s² / $K=1,5$ m/s²

⚠ HOIATUS!

Käesolevas juhendis toodud vibratsioonitase ja deklareeritud müraemissiooni väärtused on möödetud standardmeetodi järgi ja seda saab kasutada tööriistade omavaheliseks võrdlemiseks. Neid võib kasutada ka emissiooni esialgsesks hindamiseks.

Deklareeritud vibratsiooni ja müraemissiooni väärtused kehtivad tööriista peamistele rakendustele. Kui aga tööriista kasutatakse muudeks töödeks, rakendatakse teisi tarvikuid või kui tööriista hooldus pole piisav, võib vibratsiooni ja müraemissiooni tase kõikuda. Need tingimused võivad emissiooni tööperioodi jooksul tunduvalt suurendada.

Vibratsiooni ja müraemissiooni täpseks hindamiseks tuleb arvesse võtta ka aega, mil seade on välja lülitatud või sisse lülitatud, kuid tegelikult tööle rakendamata. Need tingimused võivad emissiooni tööperioodi jooksul tunduvalt vähendada.

Tehke kindlaks täiendavad ohutusmeetmed kasutaja kaitsmiseks vibratsiooni ja müra mõju eest: näiteks tööriista ja liseseadmete hooldamine, käte soojas hoidmine (vibratsiooni korral) ja töökorraldus.

⚠ HOIATUS! Lugege läbi kõik tootega kaasasolevad ohutusjuhised, illustatsioonid ja spetsifikatsioonid. Kõigi allpool loetletud juhiste eiramine võib lõppeda elektrilöögi, tulekahju ja/või tõsiste vigastustega. Hoidke kõik hoiatused ja juhised tulevikus vaatamiseks alles.

UNIVERSAALTÖÖRIISTA OHUTUSHOIATUS

Hoidke mootortööriista üksnes käepidemete isoleeritud pinnast, kui sooritate toimingut, mille käigus võib lõikeriist tabada varjatud elektrijuhet. Kui kinnitusdetail või puur satub kontakti pingele all olevate juhtmetega, jäävad tööriista isoleerimata metallosad pingele alla ja kasutaja võib saada elektrilöögi.

TÄIENDAVAD OHUTUS- JA TÖÖJUHISED

Lihvimise kandke alati kaitseprille ja tolmu maski, eriti pea kohal lihvimisel.

Pliivärvi, osade puitude ja metalli lihvimisel tuleb kanda sobivat respiratorit, et vältida kahjuliku/mürgise tolmu või õhu sissehingamist.

Toote kasutamisel tekkiv tolm võib olla toote kasutaja ja kõrvalseisjate tervisele kahjulik. Kasutaja ja kõrvalseisjad ei tohi tolmu puudutada ega sisse hingata. Kasutage sobivat tolmu maski.

Ärge töödelge tervisele ohtlikke materjale, nt asbesti.

Kinnitage toorik pitskruviga. Kinnitamata toorik võib põhjustada raske kehavigastuse või tekitada varakahju.

Kui toode kiilub kinni, taaskäivitus see automaatselt. Kui toode kiilub kinni, lülitage see otsekohe välja. Ärge lülitage toodet uuesti sisse, kui see on kinni kiilunud, vastasel korral võib tekkida ootamatu tugeva reaktsioonijõuga tagasipõrge. Tehke kindlaks, miks toode kinni kiilub ja kõrvaldage selle põhjus, sealjuures pidage kinni ohutusjuhistest.

Eemaldage aku, enne mistahes tööde teostamist toote juures.

OTSTARBEKOHANE KASUTAMINE

Universaaltööriist on ette nähtud kasutamiseks:

- metalli, puidu, plasti või muude taoliste materjalide lihvimiseks ja poleerimiseks, kasutades lihvpataja koos kaasas oleva vormitud abrasiivlehega
 - värvilise metalli, puidu, plasti, kipsplaadi jne kraapimiseks ja lintsaga lõikamiseks, kasutades kaasasolevaid metallist lõiketerasid
 - seintesse aukude lõikamiseks, et paigaldada lüliteid või pistikupesasid
 - vuugi eemaldamiseks keraamiliste plaatide vahelt
- Toode on ette nähtud kasutamiseks siseruumides kuivades, hästi valgustatud ja piisavalt ventileeritud tingimustes.

Toode ei ole ette nähtud kasutamiseks märgadel materjalidel või pindadel.

Ärge kasutage seadet ühelgi muul viisil kui mainitud sihtotstarbeks.

AKU LISAOHUTUSJUHISED

⚠ HOIATUS! Et vähendada tulekahju ja kehaliste vigastuste ohtu ning lühisest tulenevat toote vigastamist, ärge kunagi kasutage seadet, akut või laadijat vedelikesse ega laske vedelikul neisse valguda. Korrodeeruvad või elektrit juhtivad vedelikud, nagu soolvesi, teatud kemikaalid ja pleegitusained või pleegitusained sisaldavad tooted, võivad põhjustada lühisid.

Ärge pange kasutatud akupakette majapidamisjäätmete hulka ega püüdke neid põletada. AEG müügiesindused võtavad vastu vanu akusid, et kaista keskkonda.

AEG akude laadimiseks kasutage vaid AEG laadijat. Ärge kasutage ühtegi teist akut.



Ärge kunagi avage akusid ega laadijaid ning hoiustage neid üksnes kuivades ruumides. Hoidke akusid ja laadijaid alati kuivana.

Kui akut ei ole mõnda ECHOa kasutatud, tuleb see enne kasutamist uuesti laadida.

Temperatuurid üle 50 °C vähendavad aku jõudlust. Vältige pikaajalist kokkupuudet kuumuse ja päikesega (ülekuumenemise oht).

Laadijate ja aku kontaktid tuleb hoida puhtana.

Optimaalse kasutusajaga seoses tuleb aku pärast kasutamist täis laadida.

Et tagada aku pikim kasutusECHO, eemaldage täislaetud aku laadijast.

Kui aku hoiustatakse kauemaks kui 30 päevaks:

- Hoidke akut kohas, mille temperatuur on madalam kui 27 °C ja mis on kaitsitud niiskuse eest.
- Hoiustage akud 30%-50% laetud olekus.
- Iga kuue kuu hoiustamise möödudes laadige akut tavalisel moel.

AKU KAITSE

Akul on ülekoormuskaitse, mis kaitseb seda üle koormamise eest ja aitab tagada seadme pikka kasutusiga.

Äärmusliku pinge korral lülitab aku elektroonika toote automaatselt välja. Taaskäivitamiseks lülitage toode välja ja seejärel uuesti sisse. Kui toode uuesti ei käivitu, võib aku olla täielikult tühenenud. Laadige aku.

LIITIUMAKUDE TEISALDAMINE

Liitiumioonakule kehtib ohtlike kaupade seadusandlus.

Akude transportimisel peab järgima kohalikke, riiklikke ja rahvusvahelisi sätteid ning määraseid.

- Akusid saab maanteel transportida täiendavate nõueteta.
- Ärnilisel eesmärgil toimuvale liitium-ioonakude transpordile kolmandate isikute poolt kohalduvad ohtlike kaupadega seotud eeskirjad. Veoks ettevalmistamist ja vedu tohivad korraldada ainult vastava väljaõppega töötajad pädevate asjatundjate järelevalve all.

Akude transportimisel:





- Veenduge, et aku kontaktklemmid on nii kaitsitud ja isoleeritud, et lühiühendus on vedamise ajal välditud.
 - veenduge, et aku ei liiguks pakendis.
 - Ärge transportige pragunenud või lekkivaid akusid.
- Küsisge lisateavet transportettevõttelt.





HOOLDUS


Kasutage üksnes AEG tarvikuid ja AEG varuosi. Kui on vaja asendada osi, mida siin ei ole kirjeldatud, võtke ühendust AEG hooldusspetsialistiga (vt meie garanti/hooldusega seotud aadresside nimekirja).

Vajaduse korral saab tellida toote jooniseid. Märkige etiketile trükitud toote tüüp ja seerianumber ning tellige joonis kohalikul hooldusspetsialistilt või otse aadressilt: Techtronic Industries GmbH, Max-Eyth-Straße 10, 71364 Winnenden, Germany.

SÜMBOLID

	Enne toote kasutamist lugege juhised korralikult läbi.
	ETTEVAATUST! HOIATUS! OHT!
	Eemaldage aku, enne mistahes tööde teostamist toote juures.
	Vigastuste või kahjustuste ohu vähendamiseks vältige kokkupuudet kuumade pindadega.

	Kasutage silmakaitsemeid.
	Kasutage kuulmiskaitsevahendeid.
	Kasutage sobivat tolmumaski.
	Kasutage kaitsekindaid.

 Ärge kõrvaldage kasutatud patareisid ning elektri- ja elektroonikaseadmete jäätmeid sortimata olmejäätmetena. Kasutatud patareisid ning elektri- ja elektroonikaseadmete jäätmeid tuleb koguda eraldi. Patareijäätmed, akujäätmed ja jäätmetest valgusallikad tuleb seadmetest eemaldada. Taaskasutusnõuannete ja kogumispunktiga seotud teabe saamiseks pöörduge kohaliku omavalitsuse või edasimüüja poole. Kohalike eeskirjade kohaselt võib jaemüüjatel olla kohustus kasutatud patareisid ning elektri- ja elektroonikaseadmete jäätmeid tasuta tagasi võtta. Teie panus patareide ning elektri- ja elektroonikaseadmete jäätmete korduskasutamisse ja ringlussevõttu aitab vähendada toorainete nõudlust. Patareijäätmed, mis sisaldavad eelkõige liitiumi, ning elektri- ja elektroonikaseadmete jäätmed sisaldavad väärtuslikke ja ringlussevõetavaid materjale, mis võivad keskkonda ja inimeste tervist kahjustada, kui neid ei kõrvaldata keskkonnasäästlikul viisil. Olemasolul kustutage jäätmeseadmist isikuandmed.

n_o	Kiirus ilma koormuseta
V	Pinge
	Alalisvool
	Euroopa vastavusmäärgis
	Ukraina vastavusmäärgis
	Euraasia vastavusmäärgis

**ТЕХНИЧЕСКИЕ ХАРАКТЕРИСТИКИ****BM18**

Тип	Многофункциональный инструмент
Код производителя	4757 55 01 00001-999999 MJJJJ
Напряжение аккумулятора	18 V \equiv
Холодная скорость	10000-20000 min ⁻¹
Угол отклонения влево/вправо	1,6/1,6°
Вес (без батарей)	1,04 kg
Вес в соответствии с процедурой EPTA-Procedure 01/2014 (ионно-литиевый аккумулятор 2,0 А/ч ... 9,0 А/ч)	1,46 ... 2,19 kg
Рекомендуемая температура окружающей среды	-18...+50 °C
Рекомендуемый тип аккумулятора	L18...
Рекомендуемое зарядное устройство	AL18G, BL1...

Данные об уровне шума

Значения получены в соответствии со стандартом EN 62841. Как правило, амплитудно-взвешенные уровни шума инструмента составляют:

Уровень звукового давления / Погрешность

$L_{pWA}=81,0 \text{ dB (A)} / K_{pWA}=3 \text{ dB(A)}$

Уровень звуковой мощности / Погрешность

$L_{wA}=92,0 \text{ dB (A)} / K_{wA}=3 \text{ dB(A)}$

Следует надевать средства защиты органов слуха!

Данные об уровне вибрации

Общие значения вибрации (триаксиальная векторная сумма) в соответствии с EN 62841.

Значение вибрационного воздействия / Погрешность

Шлифование с помощью шлифовальной подушки

$a_{hv}=7,2 \text{ m/s}^2 / K=1,5 \text{ m/s}^2$

Врезное шлифование

$a_{hv}=13,1 \text{ m/s}^2 / K=1,5 \text{ m/s}^2$

Обрезка заподлицо

$a_{hv}=12,4 \text{ m/s}^2 / K=1,5 \text{ m/s}^2$

⚠ ОСТОРОЖНО!

Заявленные данные о совокупном уровне вибрационного и шумового воздействия, указанные в настоящем руководстве, получены в ходе стандартизированных исследований и могут использоваться для сравнения инструментов. Могут применяться в рамках предварительной оценки степени воздействия.

Заявленный уровень вибрационного и шумового воздействия учитывает основные области применения инструмента. При этом, если инструмент используется иным образом, с другим оборудованием либо некачественно обслуживается, степень вибрационного и шумового воздействия может отличаться. В рамках всего периода эксплуатации эти условия могут способствовать значительному повышению уровней воздействия.

Расчет уровня вибрационного и шумового воздействия должен также проводиться с учетом количества выключений инструмента и продолжительности работы на холостом ходу. В рамках всего периода эксплуатации эти условия могут способствовать значительному снижению уровня воздействия.

Обеспечьте дополнительные меры защиты оператора от воздействия вибрации и шума, например, техническое обслуживание инструмента и принадлежностей, поддержания температуры рук (в случае вибрации) и организации графика работ.

⚠ ОСТОРОЖНО! Ознакомьтесь со всеми инструкциями по технике безопасности, иллюстрациями и техническими характеристиками, входящими в комплект изделия.

Несоблюдение нижеуказанных инструкций может привести к поражению электрическим током, ожогу и/или серьезной травме. Сохраните все предупреждения и инструкции по технике безопасности для последующего использования.

ТРЕБОВАНИЯ БЕЗОПАСНОСТИ ПРИ РАБОТЕ С МНОГОФУНКЦИОНАЛЬНЫМ ИНСТРУМЕНТОМ.

При выполнении операций, при которых режущий инструмент может задеть скрытые провода, удерживайте принадлежность за изолированную захватную поверхность. В результате контакта полотна с проводом, находящимся под напряжением, металлические части инструмента также могут оказаться под напряжением, что приведет к поражению работающего электрическим током.

ДОПОЛНИТЕЛЬНАЯ ТЕХНИКА БЕЗОПАСНОСТИ И ИНСТРУКЦИИ ПО ЭКСПЛУАТАЦИИ

В процессе шлифования всегда надевайте защитные очки и пылезащитную маску, особенно при выполнении работ на высоте.

Необходимо надевать подходящий респиратор во время шлифования поверхностей, окрашенных свинецсодержащей краской, некоторых видов дерева и металла во избежание вдыхания вредных/токсичных частиц пыли или воздуха.

Пыль, образуемая в процессе эксплуатации изделия, может нанести вред здоровью оператора или находящихся поблизости людей. Следует не допускать попадания пыли на кожу или в дыхательные пути оператора и находящихся поблизости людей. Используйте подходящую пылезащитную маску.

Запрещается обрабатывать материалы, представляющие опасность для здоровья (например, асбест).

Зажимайте обрабатываемое изделие зажимным устройством. Незажатые обрабатываемые изделия могут стать причиной тяжелых травм и повреждений.

Инструмент запустится автоматически в случае его остановки. В случае застревания инструмента немедленно выключите его. Не включайте инструмент повторно после его застревания, так как это может привести к его внезапному отскоку с большой инерцией. Определите причину остановки инструмента и устраните ее, уделяя особое внимание соблюдению инструкций по технике безопасности.

Перед запуском и использованием изделия извлеките аккумуляторный блок.

ИСПОЛЬЗОВАНИЕ

Многофункциональный инструмент может использоваться для:

- шлифовки и финишной обработки металла, дерева, пластика и аналогичных материалов с помощью абразивного полотна в комплекте;
- соскребания и врезного шлифования цветных металлов, дерева, пластика, гипсокартона и пр. с помощью лезвий в комплекте;



- вырезания отверстий в стенах для установки выключателей питания или розеток электропитания;
- для удаления затирочных швов между керамическими плитками.

Изделие предназначено для использования в помещениях в сухих условиях при достаточном освещении и вентиляции.

Изделие не предназначено для использования на сырых материалах или поверхностях.

Используйте устройство строго по назначению, указанному в настоящем руководстве.

ТРЕБОВАНИЯ БЕЗОПАСНОСТИ ПРИ ИСПОЛЬЗОВАНИИ ДОПОЛНИТЕЛЬНОЙ АККУМУЛЯТОРНОЙ БАТАРЕИ

⚠ ОСТОРОЖНО! Чтобы уменьшить риск пожара, травмы и повреждения изделия вследствие короткого замыкания не погружайте инструмент, аккумуляторный блок или зарядное устройство в жидкость и не допускайте попадания жидкости внутрь. Коррозионные и проводящие жидкости, такие как соленый раствор, определенные химикаты, отбеливающие средства или содержащие их продукты, могут привести к короткому замыканию.

Не выбрасывайте использованные батареи как бытовой мусор и не сжигайте их. Дистрибьюторы AEG предлагают услугу возврата старых аккумуляторов для защиты окружающей среды.

Для зарядки аккумуляторных блоков AEG используйте только зарядные устройства AEG. Использование аккумуляторных блоков от других систем не допускается.

Не вскрывайте аккумуляторные блоки и зарядные устройства, храните их только в сухих помещениях. Не допускайте попадания влаги на аккумуляторные блоки или зарядные устройства.

Аккумуляторные блоки, которые не использовались какое-то время, перед началом эксплуатации необходимо зарядить.

При температуре свыше 50°C (122°F) производительность аккумуляторного блока снижается. Не допускайте длительного воздействия жары или солнечных лучей (риск перегрева).

Контакты зарядных устройств и аккумуляторных блоков должны сохраняться в чистоте.

Для обеспечения оптимального срока службы после использования изделия аккумуляторные блоки необходимо полностью заряжать.

Для обеспечения максимального срока службы аккумуляторного блока после каждой зарядки извлекайте его из зарядного устройства.

При хранении аккумуляторного блока более 30 дней:

- Храните аккумуляторный блок в сухом месте при температуре до 27°C.
- Храните аккумуляторный блок с зарядом 30%-50%.
- Через каждые шесть месяцев хранения заряжайте блок в нормальном режиме.

ЗАЩИТА АККУМУЛЯТОРНОГО БЛОКА

Аккумуляторный блок оснащен защитой от перегрузки, препятствующей перегрузке и продляющий его срок службы.

При резком увеличении нагрузки электроника отключает аккумулятор автоматически. Чтобы перезагрузить изделие, выключите и повторно включите его. Если изделие не запустится, возможно, аккумуляторный блок полностью разряжен. Зарядите аккумуляторный блок.

ПЕРЕВОЗКА ЛИТИЕВЫХ БАТАРЕЙ

При обращении с литий-ионной батареей выполняйте рекомендации постановлений об обращении с опасными изделиями.

Транспортировка указанных аккумуляторов должна осуществляться в соответствии с региональными, национальными и международными нормами и правилами.

- Допускается перевозка аккумуляторов без дополнительных требований.
- Коммерческая транспортировка литий-ионных аккумуляторов третьими лицами регулируется правилами обращения с опасными грузами. Подготовка транспорта и перевозка

должны выполняться только обученным работником и под наблюдением соответствующих специалистов.

При транспортировке аккумуляторов:

- Убедитесь, что батарея и контакты защищены и изолированы для предотвращения короткого замыкания.
- Убедитесь в том, что аккумуляторный блок надежно зафиксирован внутри упаковки.
- Не переносите батареи с повреждениями или утечками.

За дальнейшими консультациями обратитесь в транспортно-экспедиционную компанию.

ОБСЛУЖИВАНИЕ

Используйте только дополнительное оборудование AEG и запасные детали AEG. При необходимости замены неуказанных здесь компонентов обратитесь к одному из сервисных представителей AEG (см. перечень адресов гарантийных/сервисных центров).

В случае необходимости можно заказать изображение изделия в разобранном виде. Заявку с указанием типа изделия, а также серийного номера, напечатанного на этикетке, отправьте одному из сервисных представителей в вашем регионе или по адресу: Techtronic Industries GmbH, Max-Eyth-Straße 10, 71364 Winnenden, Germany.

УСЛОВНЫЕ ОБОЗНАЧЕНИЯ

	Перед запуском изделия ознакомьтесь с инструкцией.
	ОСТОРОЖНО! ОСТОРОЖНО! ОПАСНО!
	Перед запуском и использованием изделия извлеките аккумуляторный блок.
	Для снижения риска получения травмы не касайтесь горячих поверхностей.
	Используйте защитные очки.
	Используйте наушники!
	Используйте подходящую пылезащитную маску.
	Используйте перчатки.



Утилизация аккумуляторов, электрического и электронного оборудования в месте с несортированными бытовыми отходами не допускается. Сбор аккумуляторов, электрического и электронного оборудования в целях утилизации должен осуществляться отдельно. Перед утилизацией необходимо извлечь из оборудования элементы питания, аккумуляторы и источники света. Уточните порядок утилизации и местонахождения пункта приема у местных властей или поставщика. Ритейлеры могут быть обязаны бесплатно принимать аккумуляторы, электрическое и электронное оборудование на утилизацию в соответствии с местными регламентами. Ваш вклад в повторную переработку аккумуляторов, а также электрического и электронного оборудования позволит сократить потребность в сырье. Аккумуляторы, в частности, содержащие литий, а также электрическое и электронное оборудование содержит ценные и подлежащие повторной переработке материалы, которые в случае ненадлежащей утилизации способны вредить экологии и здоровью людей. Перед утилизацией удалите с оборудования все персональные данные.

n_0

Холостая скорость

V

Напряжение



Постоянный ток



Знак соответствия европейским стандартам



Знак соответствия Украины

001



Знак Евразийского Соответствия

**ТЕХНИЧЕСКИ ДАННИ****BMT18**

Тип	Мулти-инструмент
Производствен код	4757 55 01 000001-999999 MJJJJ
Напрежение на батерията	18 V ===
Скорост на празен ход	10000-20000 min ⁻¹
Ляв/десен ъгъл на трептене	1,6/1,6°
Тегло (без батерията)	1,04 kg
Тегло съгласно процедура 01/2014 на ЕРТА (литиево-йонна батерия, 2,0 Ah ... 9,0 Ah)	1,46 ... 2,19 kg
Препоръчителна температура на околната среда	-18...+50 °C
Препоръчителен тип батерия	L18...
Препоръчително зарядно устройство	AL18G, BL1...

Информация за шума

Измерените стойности са определени съгласно EN 62841. Обикновено

А-претеглените нива на шум на инструмента са:

Ниво на звуково налягане / Неопределеност

Ниво на звукова мощност / Неопределеност

$$L_{pA}=81,0 \text{ dB (A)} / K_{pA}=3 \text{ dB(A)}$$

$$L_{WA}=92,0 \text{ dB (A)} / K_{WA}=3 \text{ dB(A)}$$

Носете антифони**Информация за вибрациите**

Общата стойност на вибрациите (векторна сума по трите оси) е определена съгласно EN 62841.

Стойност на излъчените вибрации / Неопределеност

Шлифоване с шлифовъчна подложка

Дълбаене

Плътно изрязване

$$a_{hv}=7,2 \text{ m/s}^2 / K=1,5 \text{ m/s}^2$$

$$a_{hr}=13,1 \text{ m/s}^2 / K=1,5 \text{ m/s}^2$$

$$a_{ht}=12,4 \text{ m/s}^2 / K=1,5 \text{ m/s}^2$$

⚠ ПРЕДУПРЕЖДЕНИЕ!

Декларираните общи стойности на излъчените вибрации и на шумовите емисии, посочени в настоящото ръководство, са измерени в съответствие със стандартизиран тестов метод и може да се използват за сравнение на един инструмент с друг. Те може да се използват за предварително оценяване на въздействието.

Декларираните стойности на излъчените вибрации и на шумовите емисии представляват основните приложения на инструмента. Въпреки това, ако инструментът се използва за различни приложения, с различни принадлежности или поддръжката му е некачествена, излъчените вибрации и шумовите емисии могат да се различават. Тези условия може значително да увеличат нивото на излагане през целия срок на работа.

При оценяване на нивото на излагане на вибрации и шум също трябва да се вземе предвид колко пъти инструментът е бил изключван или колко пъти е работил на празен ход. Тези условия може значително да намалят нивото на излагане през целия срок на работа.

Определете допълнителни мерки за предпазване на оператора от ефектите от вибрациите и шума, като например поддържане на инструмента и аксесоарите, поддържане на ръцете топли (в случай на вибрации), организация на моделите за работа.

⚠ ПРЕДУПРЕЖДЕНИЕ! Прочетете всички инструкции с предупреждения за безопасност, илюстрации и спецификации, предоставени с този продукт. Неспазването на всички инструкции, посочени по-долу, може да доведе до токов удар, пожар и/или сериозно нараняване. Съхранявайте всички предупреждения и инструкции за бъдещи справки.

ПРЕДУПРЕЖДЕНИЯ ЗА БЕЗОПАСНОСТ ПРИ РАБОТА С МНОЖЕСТВО ИНСТРУМЕНТИ

Дръжте електрическия инструмент за изолираните повърхности за хващане, когато извършвате операция, при която режещият аксесоар може да влезе в контакт със скрити проводници. Режещ аксесоар, който влезе в контакт с проводник, по който тече ток, може да доведе до протичането на ток по неизолираните метални части на електрическия инструмент и да причини токов удар на оператора.

ДОПЪЛНИТЕЛНИ ИНСТРУКЦИИ ЗА РАБОТА И БЕЗОПАСНОСТ

Винаги носете предпазни очила и маска против прах, когато шлифовате, по-специално, когато шлифовате над главата си.

Трябва да се носи подходящ дихателен респиратор, докато се шлифова оловна боя, някои видове дърво и метал, за да се избегне вдишването на вреден/токсичен прах или въздух.

Прахът, произведен при използването на продукта, може да бъде вреден за здравето на оператора и страничните наблюдатели. Операторът и страничните наблюдатели не

бива да докосват и да вдишват праха. Носете подходяща прахозащитна маска

Не обработвайте материали, които представляват опасност за здравето, напр. азбест.

Закрепете работния детайл с устройство за захващане.

Незакрепени обработвани детайли могат да причинят сериозно нараняване или щети.

Продуктът ще се рестартира автоматично, ако блокира.

Изключете продукта незабавно, ако блокира. Не включвайте продукта отново, докато е блокирал, тъй като това може да предизвика внезапен откат с голяма реактивна сила.

Определете защо продуктът е блокирал и отстранете причината за това, като се съобразите с инструкциите за безопасност.

Извадете батерията, преди да започнете каквато и да е работа по уреда.

ОПРЕДЕЛЕНИ УСЛОВИЯ НА УПОТРЕБА

Мулти-инструментът е предназначен да се използва:

- за шлифоване и окончателно обработване на метал, дърво, пластмаси или подобни материали, чрез използване на шлифовъчна подложка с предоставените оформени шлифовъчни листове
- за шаброване и обработване чрез връзване в цветни метали, дърво, пластмаси, гипскартон и т.н. чрез предоставените метални остриета за рязане
- за рязане на отвори в стени за поставяне на електрически ключове или контакти
- за премахване на материал от фуги между керамични плочки





Изделието е предназначено за работа на закрито при сухи, добре осветени и съответно вентилирани условия.

Изделието не е предназначено да се използва върху влажни материали или повърхности.

Не го използвайте за никакви други цели.

ДОПЪЛНИТЕЛНИ ПРЕДУПРЕЖДЕНИЯ ЗА БЕЗОПАСНОСТ ЗА БАТЕРИЯТА

⚠ ПРЕДУПРЕЖДЕНИЕ! За да намалите риска от пожар, физическо нараняване и повреда на продукта поради късо съединение, никога не потапяйте инструмента, акумулаторната батерия или зарядното устройство в течност и не позволявайте в тях да проникне течност. Течностите, предизвикващи корозия или провеждащи електричество, като солена вода, определени химикали, избелващи вещества или продукти, съдържащи избелващи вещества, могат да предизвикат късо съединение. Не изхвърляйте използваните батерии в битовите отпадъци и не се опитвайте да ги горите. Дистрибуторите на AEG предлагат да приемат обратно стари батерии, за да защитят нашата околна среда.

За зареждане на акумулаторните батерии AEG използвайте само зарядни устройства AEG. Не използвайте акумулаторни батерии от други системи.

Никога не отваряйте със сила акумулаторните батерии и зарядните устройства и ги съхранявайте само в сухи помещения. Винаги поддържайте акумулаторните батерии и зарядните устройства сухи.

Акумулаторните батерии, които не са били използвани известно време, трябва да се презареждат преди употреба.

Температури над 50°C (122°F) намаляват ефективността на акумулаторната батерия. Избягвайте продължително излагане на топлина или слънчева светлина (риск от прегряване).

Контактните проводници на зарядните устройства и акумулаторните батерии трябва да се поддържат чисти.

За да се гарантира оптимален срок на използване на акумулаторните батерии, те трябва да се зареждат напълно след употреба.

За да гарантирате възможно най-дълъг срок на използване на акумулаторната батерия, я изваждайте от зарядното устройство, след като се зареди напълно.

За съхраняване на батерията над 30 дни:

- Съхранявайте батерията на места, където температурата е под 27°C и липсва влага.
- Съхранявайте батериите при заредено състояние от 30%-50%.
- На всеки шест месеца съхранение, зареждайте батериите по обичайния начин.

ЗАЩИТА НА АКУМУЛАТОРНАТА БАТЕРИЯ

Акумулаторната батерия има защита от презареждане, която я предпазва от прекомерно зареждане и помага за увеличаването на нейния експлоатационен цикъл.

При прекомерно натоварване електрониката в батерията изключва продукта автоматично. За да рестартирате продукта, изключете го и отново го включете. Ако продуктът не се стартира отново, акумулаторната батерия може да не се е разредила докрай. Заредете батерията.

ТРАНСПОРТИРАНЕ НА ЛИТИЕВИ БАТЕРИИ

Литиево-йонната батерия подлежи на законодателството за опасни стоки.

Транспортирането на тези батерии трябва да се извършва в съответствие с местните, националните и международните разпоредби и наредби.

- Батериите могат да се транспортират по шосе без допълнителни изисквания.
- Търговският транспорт на литиево-йонни батерии от трети страни е предмет на разпоредбите на нормативната уредба за опасните товари. Подготовката за транспортиране и самото транспортиране следва да се извършват от лица, изрично обучени за тези цели, като тези дейности трябва да се съблюдават от съответните експерти.

При транспортиране на батерии:

- Уверете се, че контактните клеми на батерията са защитени и изолирани, за да се предотврати възникването на късо съединение.
- Уверете се, че акумулаторната батерия е закрепена и не се движи в опаковката.
- Не транспортирайте батерии, които са спукани или текат. Свържете се със следната компания за допълнителен съвет.

ПОДДРЪЖКА

Използвайте само аксесоари и резервни части на AEG. Ако компоненти, които не са описани, трябва да се подменят, се свържете с някой от нашите сервизни представители на AEG (вижте нашия списък с адреси за гаранции/обслужване).

Ако е необходимо, можете да поръчате изображение на продукта в разглобен вид. Посочете типа и серийния номер на продукта, отпечатани на етикета, и поръчайте чертежа при местните сервизни представители или директно на: Techtronic Industries GmbH, Max-Eyth-Straße 10, 71364 Winnenden, Germany.

СИМВОЛИ



Прочетете внимателно инструкциите, преди да стартирате продукта.



ВНИМАНИЕ! ПРЕДУПРЕЖДЕНИЕ! ОПАСНОСТ!



Извадете батерията, преди да започнете каквато и да е работа по уреда.



За да намалите риска от нараняване или повреда, избягвайте контакт с горещи повърхности.



Носете предпазни средства за очите.



Носете антифони.



Носете подходяща прахозащитна маска



Носете ръкавици.





Не изхвърляйте отпадъците от батерии, електрическо и електронно оборудване като несортирани битови отпадъци. Отпадъците от батерии и електрически и електронно оборудване трябва да се събират отделно. Отпадъците от батерии, акумулатори и светлинни източници трябва да бъдат премахнати от оборудването. За съвети относно рециклирането и пункта за събиране се обърнете към вашите местни власти или търговски представители. Съгласно местните разпоредби търговците на дребно трябва да бъдат задължени да приемат обратно отпадъци от батерии и електрическо и електронно оборудване. Вашият принос за повторната употреба и рециклирането на отпадъци от батерии и електрическо и електронно оборудване помага за намаляване на търсенето на суровини. Отпадъците от батерии, особено съдържащите литий, и електрическо и електронно оборудване съдържат ценни, подходящи за рециклиране материали, които може да имат неблагоприятно въздействие върху околната среда и човешкото здраве, ако не бъдат изхвърлени по екологичен начин. Ако на отпадъчното оборудване има лични данни, изтрийте ги.

 n_0

Скорост на празен ход

V

Напрежение



Постоянен ток



Знак за съответствие с европейските изисквания



Знак за съответствие с изискванията на Украйна

001



EurAsian знак за съответствие





FIȘĂ DE DATE TEHNICE		BMT18
Tip	Unealtă multifuncțională	
Cod produs	4757 55 01 00001-999999 MJJJJ	
Tensiune baterie	18 V ---	
Viteză în gol	10000-20000 min ⁻¹	
Unghi de oscilație stânga/dreapta	1,6/1,6°	
Greutate (fără acumulator)	1,04 kg	
Greutate în conformitate cu Procedura EPTA 01/2014 (2.0 Ah ... 9.0 Ah Li-Ion)	1,46 ... 2,19 kg	
Temperatura ambientală recomandată pentru operare	-18...+50 °C	
Tipul de acumulator recomandat	L18...	
Tipul de încărcător recomandat	AL18G, BL1...	

Date despre nivelul de zgomot

Valori măsurate conform standardului EN 62841. În mod uzual, nivelurile de zgomot ponderate A ale unelei sunt:

Nivel de zgomot/incertitudine

Nivel putere sonoră/incertitudine

Purtați echipamente de protecție a auzului!

$L_{pA}=81,0$ dB (A) / $K_{pA}=3$ dB(A)

$L_{WA}=92,0$ dB (A) / $K_{WA}=3$ dB(A)

Informații despre vibrații

Valori ale vibrațiilor totale (suma vectorului triaxial) măsurate conform standardului EN 62841:

Valoarea vibrațiilor/incertitudine

Șlefuire cu disc de șlefuit

Tăiere cu adâncime

Tăiere la nivel

$a_r=7,2$ m/s² / $K=1,5$ m/s²

$a_p=13,1$ m/s² / $K=1,5$ m/s²

$a_n=12,4$ m/s² / $K=1,5$ m/s²

⚠️ AVERTISMENT!

Nivelul total al vibrațiilor și valorile emisiilor de zgomot declarate în acest manual cu instrucțiuni au fost măsurate în conformitate cu o metodă de testare standardizată și pot fi utile pentru compararea uneltelor între ele. Acestea pot fi utilizate pentru evaluarea preliminară a expunerii.

Valorile emisiilor de vibrație și de zgomot declarate sunt relevante pentru domeniul de utilizare al acestei unele. Totuși, dacă unealta este utilizată în alte scopuri, cu alte accesorii sau este întreținută necorespunzător, nivelul vibrațiilor și al zgomotului poate fi diferit. În acest caz, nivelul de expunere total, pe parcursul întregii perioade de lucru, poate crește.

O estimare a nivelului de expunere la vibrații și zgomot trebuie să țină cont și de numărul de porniri-opriți, precum și de perioada în care unealta este oprită sau funcționează în gol. În acest caz, nivelul de expunere total, pe parcursul întregii perioade de lucru, poate fi mai mic.

Identificați măsuri de protecție suplimentare pentru protecția operatorului contra efectelor vibrațiilor și zgomotului, precum întreținerea unelei și a accesoriilor, menținerea mâinilor calde (în caz de vibrație) și organizarea de perioade de lucru.

⚠️ AVERTISMENT! Citiți toate instrucțiunile privind avertizările de siguranță, ilustrațiile și specificațiile furnizate împreună cu acest produs. Nerespectarea tuturor instrucțiunilor date mai jos poate duce la electrocutare, incendiu și/sau rănire gravă. Păstrați aceste avertismente și instrucțiuni, pentru a le putea consulta ulterior.

Produsul va fi repornit automat dacă se blochează. În cazul blocării, opriți imediat produsul. Nu reponiți produsul atunci când este blocat, deoarece riscați producerea unui recul puternic. Identificați cauza blocării produsului și eliminați-o respectând instrucțiunile de siguranță.

Decuplați acumulatorul înainte de a realiza orice fel de operație de întreținere sau reparație asupra produsului.

AVERTISMENTE DE SIGURANȚĂ PRIVIND UNEALTA MULTIFUNCȚIONALĂ

Prindeți unealta electrică numai de suprafețele de prindere izolate atunci când efectuați o operațiune în care accesoriul de tăiere poate intra în contact cu cablul ascuns. Accesorii de tăiere ce intră în contact cu un cablu sub curent ar putea alimenta electric părțile metalice expuse ale unelei electrice și ar putea expune operatorul la un șoc electric.

INSTRUCȚIUNI DE LUCRU ȘI DE SIGURANȚĂ SUPPLEMENTARE

Purtați întotdeauna ochelari de protecție și o mască de praf atunci când șlefuiți, în special când șlefuiți deasupra capului.

În timpul șlefuirii vopselei cu plumb, a anumitor tipuri de lemn și a metalului, trebuie purtat un respirator adecvat pentru a evita inhalarea prafului sau aerului dăunător/toxic.

Praful produs în timpul utilizării produsului poate reprezenta un pericol pentru sănătatea operatorului și a persoanelor din jurul său. Operatorul și persoanele din jurul său nu trebuie să atingă și nici să inhaleze praful. Purtați mască adecvată de protecție contra prafului.

Nu procesați niciun material care prezintă pericol pentru sănătate, de ex. azbest.

Prindeți piesa de lucru cu un dispozitiv de prindere. Piesele de lucru nefixate cu clemă pot cauza vătămare gravă și pagube.

CONDIȚII DE UTILIZARE SPECIFICATE

Unealta multifuncțională este destinată următoarelor utilizări:

- pentru șlefuirea și finisarea metalelor, a lemnului, plasticului sau altor materiale similare, utilizându-se bucățile sau foile abrazive furnizate.
 - pentru răzuirea și tăierea în adâncime în metale neferoase, lemn, materiale plastice, gips-carton etc. utilizându-se lamele de tăiere metalice furnizate
 - pentru tăierea găurilor în pereți pentru amplasarea întrerupătoarelor sau prizelor
 - pentru îndepărtarea chitului dintre plăcile ceramice
- Produsul este destinat utilizării în interior, în condiții uscate, bine iluminate și ventilate adecvat.

Produsul nu este destinat utilizării pe materiale sau suprafețe umede.

Nu folosiți produsul în niciun alt fel decât cel menționat pentru folosirea lui destinată.

AVERTISMENTE SUPPLEMENTARE PRIVIND SIGURANȚA LA UTILIZAREA BATERIILOR

⚠️ AVERTISMENT! Pentru a reduce riscurile de incendiu, accidentare și deteriorare a produsului în urma unui scurtcircuit, nu scufundați niciodată acumulatorul sau încărcătorul în lichide și nici



nu permiteți pătrunderea lichidelor în interiorul acestora. Lichidele corosive sau cu conductibilitate, precum apa sărată, anumite substanțe chimice și înălbitori sau produse ce conțin înălbitori, pot provoca un scurtcircuit.

Nu aruncați acumulatorii uzați la gunoiul menajer sau să-i ardeți. Distribuitorii AEG se oferă să preia spre reciclare acumulatorii uzați, pentru a proteja mediul.

Utilizați numai încărcătoare AEG pentru a încărca acumulatori AEG. Nu utilizați acumulatori de la alte unelte/sisteme.

Nu demontați niciodată acumulatorii și încărcătoarele și depozitați-le numai în încăperi uscate. Întotdeauna acumulatorii și încărcătoarele trebuie menținute uscate.

Acumulatorii care nu au fost utilizați o perioadă mai lungă de timp trebuie încărcăți înainte de utilizare.

Temperaturile mai mari de 50°C (122°F) reduc performanțele acumulatorului. Evitați expunerea prelungită la căldură sau lumină solară (ris de supraîncălzire).

Contactele încărcătoarelor și ale acumulatorilor trebuie ținute în stare de curățenie.

Pentru o durată de viață cât mai lungă, acumulatorii trebuie încărcăți complet, după fiecare utilizare.

Pentru a obține o durată de viață maximă a acumulatorului, scoateți acumulatorul din încărcător după finalizarea încărcării.

În cazul depozitării acumulatorului pentru un interval mai mare de 30 de zile:

- Depozitați acumulatorii la o temperatură sub 27°C și feriiți de umezeală.
- Depozitați acumulatorii cu grad de încărcare de 30%-50%.
- La fiecare șase luni, încărcăți acumulatorii în mod normal.

PROTECȚIA ACUMULATORILOR

Acumulatorii au protecție la supraîncărcare ceea ce îi protejează contra supra-încărcării și le prelungește durata de funcționare.

În condiții de stres extrem, sistemele electronice cu acumulatori se opresc automat. Pentru repornire, puneți comutatorul pe poziția „off” și apoi din nou pe poziția „on”. Dacă echipamentul nu pornește din nou, este posibil ca acumulatorii să se fi descărcat complet. Reîncărcați acumulatorul.

TRANSPORTAREA ACUMULATORILOR PE LITIU

Bateria de litiu-ion este subiect a legislației privind bunurile periculoase.

Transportul acumulatorilor trebuie realizat în concordanță cu prevederile și reglementările locale, naționale și internaționale.

- Acumulatorii pot fi transportați cu vehicule fără alte condiții.
- Transportul comercial al acumulatorilor Li-Ion de către terți face obiectul reglementărilor privind bunurile periculoase. Pregătirea transportării și transportarea sunt exclusiv îndeplinite de către persoane instruite corespunzător și procesul trebuie să fie însoțit de experții corespunzători.

Atunci când transportați acumulatori:

- Asigurați-vă că bornele de contact a bateriilor sunt protejate și izolate pentru a preveni scurtcircuitarea lor.
- Asigurați-vă că acumulatorul nu se poate mișca în interiorul ambalajului.
- Nu transportați acumulatori ce sunt crăpați sau au scurgeri. Verificați cu compania de transport pentru sfaturi ulterioare.

ÎNȚREȚINEREA

Utilizați doar accesorii și piese de schimb AEG. Dacă este necesară înlocuirea unor componente despre care nu se discută aici, contactați un agent de service AEG (consultați lista de service-uri pentru operații în și în afara garanției).

Dacă este necesar, poate fi comandată o imagine/ schemă cu produsul descompus în piese. Specificați tipul de produs și numărul de serie de pe etichetă și comandați schema la centrul de service sau direct la: Techtronic Industries GmbH, Max-Eyth-Straße 10, 71364 Winnenden, Germany.

SIMBOLURI



Citiți cu atenție instrucțiunile înainte de a utiliza produsul.



ATENȚIE! AVERTISMENT! PERICOL!



Decuplați acumulatorul înainte de a realiza orice fel de operație de întreținere sau reparație asupra produsului.



Pentru a reduce riscurile de accidentare sau de deteriorare a obiectelor din jur, evitați contactul cu orice suprafață fierbinte.



Purtați echipament de protecție.



Purtați aparatoare de urechi.



Purtați mască adecvată de protecție contra prafului.



Purtați mănuși.



A nu se arunca deșeurile de echipamente electronice și electrice și bateriile epuizate la gunoiul menajer. Deșeurile formate din echipamente electrice și electronice și bateriile epuizate trebuie colectate separat. Sursele de iluminare, bateriile și acumulatorii epuizați trebuie scoase din aceste echipamente. Solicitați consiliere de la autoritatea dvs. locală sau de la comerciantul de unde ați achiziționat aspiratorul, în privința punctului de colectare. Conform reglementărilor naționale, vânzătorii cu amănuntul au obligația de a colecta bateriile epuizate, deșeurile de echipament electric și electronic, gratuit. Contribuția dvs. la reciclarea și reutilizarea bateriilor, a echipamentelor electrice și electronice ajută la reducerea cererii de materii prime. Bateriile epuizate, în special cele cu litiu, deșeurile formate din echipamente electrice și electronice conțin materiale reciclabile valoroase, care pot avea o influență negativă asupra mediului înconjurător și asupra sănătății umane, dacă nu sunt eliminate într-o manieră ecologică. Ștergeți datele personale din echipamentul deșeu, dacă este cazul.

n_o

Viteză în gol

V

Tensiune



Curent continuu



Marcajul european de conformitate



Marcajul ucrainian de conformitate



Marcajul de conformitate EurAsian

**ТЕХНИЧКИ ПОДАТОЦИ****ВМТ18**

Тип	Повеќенаменски алат
Шифра на производство	4757 55 01 00001-999999 MJJJJ
Напон на батеријата	18 V ---
Брзина без оптоварување	10000-20000 min^{-1}
Агол на осцилација лево/десно	1,6/1,6°
Тежина (без батерија)	1,04 kg
Тежина според ЕПТА-Постапка 01/2014 (2.0 Ah ... 9.0 Ah Li-Ion)	1,46 ... 2,19 kg
Препорачана амбиентна температура при работење	-18...+50 °C
Препорачан тип на батерии	L18...
Препорачан полнач	AL18G, BL1...

Информации за бучава

Измерени вредности пресметани според EN 62841. Вообичаено, нивоата на бучава од А-мерењата на алатот се:

Ниво на звучен притисок / Неизвесност

Ниво на моќност на звук / Неизвесност

$L_{pA}=81,0 \text{ dB (A)} / K_{pA}=3 \text{ dB(A)}$
 $L_{WA}=92,0 \text{ dB (A)} / K_{WA}=3 \text{ dB(A)}$

Носете заштита за уши!**Информации за вибрации**

Вкупни вредности на вибрации (триаксијален векторски збир определени според EN 62841.

Вредност на емисија на вибрации / Неизвесност

Брусење со подлога за брусење

Сечење со засекување

Рамномерно сечење

$a_r=7,2 \text{ m/s}^2 / K=1,5 \text{ m/s}^2$
 $a_p=13,1 \text{ m/s}^2 / K=1,5 \text{ m/s}^2$
 $a_n=12,4 \text{ m/s}^2 / K=1,5 \text{ m/s}^2$

▲ ПРЕДУПРЕДУВАЊЕ!

Наведените вкупни вредности на вибрации и вредности на емисии на бучава дадени во овој прирачник со инструкции се измерени во согласност со стандардизиран тест и може да се користат за споредба на еден алат со друг. Може да се користи за прелиминарна проценка на изложеноста.

Наведените вредности на нивото на изложеност на вибрации и бучава се однесуваат на примената на алатот. Меѓутоа, ако алатот се користи за различна намена, со различни додатоци или доколку не се одржува соодветно, емисијата на вибрации и бучава може да е различна. Тоа може значително да го зголеми нивото на изложеност во текот на вкупниот работен период.

При проценката на нивото на изложеност на вибрации и бучава треба, исто така, да се земе предвид и времето кога алатот е исклучен или кога работи на празно. Тоа може значително да го намали нивото на изложеност во текот на вкупниот работен период.

Утврдете дополнителни мерки за безбедност за заштита на ракувачот од ефектите на вибрациите и бучавата како на пример одржување на алатот и додатоците, одржување на температурата на рацете (во случај на вибрации) и организирање на распоред на работа.

▲ ПРЕДУПРЕДУВАЊЕ! Прочитајте ги сите предупредувања за безбедност, упатства, илустрации и спецификации дадени со овој електричен алат.

Непочитување на сите упатства наведени подолу, може да доведе до струен удар, пожар и/или сериозна повреда. Зачувајте ги сите предупредувања и упатства за понатамошна употреба.

ПРЕДУПРЕДУВАЊА ЗА БЕЗБЕДНОСТ ЗА ПОВЕЌЕНАМЕНСКИ АЛАТ

Држете го електричниот алат покрај изолирани површини при извршување на операцијата каде додатокот за сечење може да дојде во контакт со скриени жици.

Доколку додатокот за сечење дојде во контакт со „гола“ жица изложените метални делови од електричниот апарат може да станат „голи“ и ракувачот може да доживее струен удар.

ДОПОЛНИТЕЛНИ ИНСТРУКЦИИ ЗА БЕЗБЕДНОСТ И РАБОТЕЊЕ

Секогаш носете заштитни очила и маска за прав при брусење, особено брусење над главата.

Мора да се носи соодветен респиратор за дишење при брусење на оловна боја, некои дрва и метал за да се избегне дишење на штетната/токсичната прашина или воздух.

Прашината што се создава при употреба на производот може да биде штетна за здравјето на операторот и случајните минувачи. Операторот и случајните минувачи не смеат да ја допираат и да ја вдишуваат прашината. Носете соодветна маска за заштита од прашина.

Не обработувајте материјали што претставуваат опасност по здравјето, како што е азбест.

Прицврстете го работното парче со уред за прицврстување. Неприцврстените работни делови може да предизвикаат сериозна повреда и оштетување.

Производот автоматски ќе се рестартира доколку е закочен. Исклучете го производот веднаш ако застане. Не го вклучувајте производот повторно додека е во застој, бидејќи тоа може да предизвика ненадејно одбивање со голема реактивна сила. Определете зошто производот закочил и исправете го ова, внимавајќи на упатствата за безбедност.

Отстранете ги батериите пред да почнете да вршите некаква работа на самиот производ.

КОНКРЕТНИ УСЛОВИ ЗА УПОТРЕБА

Повеќенаменскиот алат е наменет за се користи:

- за брусење и доработка на метал, дрво, пластика или слични материјали со помош на подлогата за брусење со дадените обликувани абразивни листови
 - за стругање и сечење во обоен метал, дрво, пластика, гипсени плочи итн. со помош на дадените метални ножеви за сечење
 - за сечење дупки во ѕидовите за да се сместат прекинувачи или штекери за струја
 - за отстранување на фигурање помеѓу керамички плочки
- Производот е наменет за работа во затворен простор во суви, добро осветлени и соодветно проветрени услови.

Производот не е наменет за употреба на влажни материјали или површини.

Не го користете производот за друга намена.



ДОПОЛНИТЕЛНИ ПРЕДУПРЕДУВАЊА ЗА БЕЗБЕДНОСТ ЗА БАТЕРИЈАТА

⚠ ПРЕДУПРЕДУВАЊЕ! За да се намали ризикот од пожар, телесна повреда и оштетување на производот како резултат на краток спој, алатот, батеријата и полначот никогаш не го потопувајте во течност или не дозволувајте да навлезе течност во нив. Корозивни или проводни течности како што се морска вода, одредени индустриски хемикалии, белила или производи кои содржат белила итн. може да доведат до краток спој.

Не ги фрлајте потрошените батерии во домашниот отпад и не ги горете. Дистрибутерите на AEG нудат обновување на старите батерии со цел да ја заштитат нашата животна средина.

Користете исклучиво полначи AEG за полнење на AEG батериите. Не користете батерии од други системи.

Никогаш не кршете отворени батерии и полначи и чувајте ги само во суви простории. Чувајте ги батериите и полначите суви во секое време.

Батерии кои не се користени некое време, пред употреба треба да се наполнат.

Температури повисоки од 50°C (122°F) ја намалуваат ефикасноста на батеријата. Избегнувајте прекумерно изложување на топлина или сонце (ризик од презагревање).

Контактите на полначите и батеријата мора да се одржуваат чисти.

За оптимална трајност, батериите треба целосно да се наполнат по употребата.

За да се постигне најголема можна трајност на батеријата, отстранете ја од полначот откако целосно ќе се наполни.

Чување на батеријата подолго од 30 дена:

- Чувајте ја батеријата на температура под 27°C и подалеку од влага.
- Чувајте ја батеријата наполнета од 30% - 50%.
- На секои шест месеци од складирањето, наполнете ја батеријата на вообичаениот начин.

ЗАШТИТА НА БАТЕРИЈАТА

Батеријата има заштита од преоптоварување што ја штити од преоптоварување и помага да се обезбеди долг век на траење.

При екстремно напрегање, електрониката на батеријата го исклучува производот автоматски. За повторно вклучување, исклучете го производот и повторно вклучете го. Доколку производот не се стартува повторно, батеријата може да се испразни целосно. Наполнете ја батеријата повторно.

ТРАНСПОРТ НА ЛИТИУМСКИ БАТЕРИИ

Литиум-јонските батерии треба да ги исполнуваат условите пропишани во законот за опасни стоки.

Транспортот на тие батерии треба да се изврши во согласност со локалните, националните и меѓународните одредби и прописи.

- Батериите може да се транспортираат по друмски пат без дополнително барање.
- Комерцијалниот транспорт на литиум-јонските батерии од страна на трети лица подлежи на прописите за опасни стоки. Подготовката за транспорт и самиот транспорт треба да го вршат само соодветно обучени лица и процесот треба да биде следен од соодветни експерти.

При транспортот на батериите:

- Погрижете се контактните излези на батеријата да се заштитени и изолирани за да се избегне краток спој.
- Погрижете се батеријата да е стабилно спакувана за да не се поместува при транспортот.
- Не вршете транспорт на батериите доколку се дупнати или течат.

Контактирајте со шпедитерот за дополнителни совети

ОДРЖУВАЊЕ

Користете само додатоци и резервни делови од AEG. Ако треба да се заменат компоненти кои не се опишани во упатството, контактирајте со некој од агентите за сервис на AEG (видете го списокот со адреси за гаранција/сервис).

Доколку ви е потребно, може да се порача расклопен приказ на алатот. Наведете го типот и серискиот број отпечатен на етикетата и нарачајте го цртежот кај вашиот локален агент за

сервис или директно на: Techtronic Industries GmbH, Max-Eyth-Straße 10, 71364 Winnenden, Germany.

СИМБОЛИ

	Внимателно прочитајте ги инструкциите пред употреба на производот.
	ВНИМАНИЕ! ПРЕДУПРЕДУВАЊЕ! ОПАСНОСТ!
	Отстранете ги батериите пред да почнете да вршите некаква работа на самиот производ.
	За да го намалите ризикот од повреда или оштетување, избегнувајте контакт со каква било топла површина.
	Носете заштита за очите.
	Носете заштитни средства за уши.
	Носете соодветна маска за заштита од прашина.
	Носете ракавици.
	Не ја фрлајте отпадната електрична и електронска опрема како несортиран комунален отпад. Отпадната електрична и електронска опрема мора да се собира одделно. Отпадните извори на светлина треба да се отстранат од опремата. Проверете кај вашиот локален орган или трговец на мало за совет за рециклирање и место за собирање. Според локалните прописи, трговците на мало може да имаат обврска бесплатно да ја враќаат отпадната електрична и електронска опрема. Вашиот придонес за повторна употреба и рециклирање на отпадната електрична и електронска опрема помага да се намали побарувачката на сурови материјали. Отпадната електрична и електронска опрема содржи вредни материјали што може да се рециклираат кои можат негативно да влијаат врз животната средина и врз здравјето на луѓето, доколку не се отстранат на еколошки соодветен начин. Избришете ги личните податоци од отпадната опрема, доколку ги има.
	Брзина без оптоварување
	Волти
	Директна струја
	Европски знак за сообразност
	Знак за сообразност на Украина
	Евразиски знак за усогласеност

**ТЕХНІЧНІ ХАРАКТЕРИСТИКИ****BM18**

Тип	Багатофункціональний пристрій
Заводський код	4757 55 01 00001-999999 MJJJJ
Напруга акумулятора	18 V \equiv
Швидкість без навантаження	10000-20000 min ⁻¹
Кут качання лівий/правий	1,6/1,6°
Вага (без акумулятора)	1,04 kg
Вага згідно з процедурою EPTA 01/2014 (2,0 Ач ... 9,0 Ач Li-Ion)	1,46 ... 2,19 kg
Рекомендована робоча температура навколишнього середовища	-18...+50 °C
Рекомендований тип батареї	L18...
Рекомендований зарядний пристрій	AL18G, BL1...

Інформація про шум

Виміряні значення відповідно до EN 62841. Номінально А-зважені значення шуму інструменту такі:

Рівень звукового тиску /похибка

Рівень звукової потужності / похибка

$L_{WA}=81,0 \text{ dB (A)} / K_{WA}=3 \text{ dB(A)}$

$L_{WA}=92,0 \text{ dB (A)} / K_{WA}=3 \text{ dB(A)}$

Надягайте навушники під час роботи!**Інформація про вібрацію**

Загальні значення вібрації (сума векторів за трьома осями) визначена відповідно до EN 62841.

Рівень вібрації / похибка

Шліфування шкуркою

Глибоке пиляння

Відрізання врівень

$a_r=7,2 \text{ m/s}^2 / K=1,5 \text{ m/s}^2$

$a_p=13,1 \text{ m/s}^2 / K=1,5 \text{ m/s}^2$

$a_n=12,4 \text{ m/s}^2 / K=1,5 \text{ m/s}^2$

⚠ ПОПЕРЕДЖЕННЯ!

Заявлені загальні значення вібрації та заявлені значення шумового забруднення, наведені в цьому керівництві, вимірювалися відповідно до стандартизованого методу випробування та можуть бути використані для порівняння одного інструменту з іншим. Ними можна користуватися для попередньої оцінки впливу.

Наведені значення виміряно при стандартній експлуатації виробу. Утім якщо виріб використовується для інших цілей, з іншими додатковими пристосуваннями або ж не проходить належного обслуговування, рівні вібрації та шуму можуть відрізнятись від зазначених. Як наслідок, рівні впливу впродовж загального робочого часу можуть значно збільшитися.

При оцінці рівнів впливу вібрації та шуму слід враховувати періоди, коли виріб вимкнений або працює на холостих обертах. Як наслідок, рівні впливу впродовж загального робочого часу можуть значно зменшитися.

Дотримуйтеся додаткових заходів, які можуть захистити оператора від впливу вібрації та шуму: підтримуйте пристрій та додаткові пристосування, слідуйте, щоби руки залишалися теплими (при вібрації), та продумайте графік роботи.

⚠ ПОПЕРЕДЖЕННЯ! Прочитайте всі правила безпеки, інструкції, ілюстрації й специфікації, що постачаються з електроінструментом. Недотримання будь-якої з зазначених інструкцій може призвести до ураження електричним струмом, пожежі та/або серйозних травм. Збережіть усі попередження та інструкції для подальшого використання.

ПОПЕРЕДЖЕННЯ З БЕЗПЕКИ ЩОДО ВИКОРИСТАННЯ БАГАТОФУНКЦІОНАЛЬНОГО ПРИСТРОЮ

Під час виконання операції, в якій різальне приладдя може контактувати з прихованою проводкою, тримайте електроінструмент тільки за ізольовані поверхні. Під час контакту різального приладдя з дротом під напругою струм може передаватися на металеві частини електроінструменту, що може призвести до ураження оператора електричним струмом.

ДОДАТКОВІ ЗАХОДИ БЕЗПЕКИ ТА ВКАЗІВКИ З ЕКСПЛУАТАЦІЇ

При шліфуванні, особливо при шліфуванні на висоті, завжди надягайте окуляри та респіратор.

При обробці матеріалів, покритих свинцевою фарбою, а також деяких видів деревини та металів необхідно надягати респіратор відповідної марки, щоби запобігти вдиханню шкідливого/токсичного пилу або повітря.

Пил, що виробляється під час використання пристрою, може завдати шкоди здоров'ю оператора та сторонніх спостерігачів. Оператор та сторонні особи не повинні торкатися пилу та вдихати його. Одягніть відповідну захисну маску для захисту від пилу.

Не обробляйте матеріали, які становлять небезпеку для здоров'я (наприклад, азбест).

Затисніть заготовку за допомогою затискного пристрою. Не затиснуті заготовки можуть спричинити серйозні травми та пошкодження.

Пристрій автоматично перезапускається, якщо він глухне. Негайно вимкніть пристрій, якщо він заглух. Не вмикайте пристрій, якщо він заглух, це може спричинити раптову віддачу тригера з високою швидкістю. Визначте чому пристрій заглух та усуньте причину, звертаючи особливу увагу на інструкції з безпеки. Вийміть батарею перед початком ремонту або технічного обслуговування приладу.

ПЕРЕДБАЧУВАНОМУ ВИКОРИСТАННІ

Багатофункціональний пристрій призначений:

- для шліфування та полірування металу, деревини, пластику або аналогічних матеріалів з використанням абразивних накладок, що входять до комплекту;
- для зачищення та глибокого різання кольорових металів, деревини, пластику, гіпсокартону тощо за допомогою металевих ножів, що входять до комплекту;
- для вирізання отворів у стінах під вимикачі та розетки;
- для видалення затричі швів між кахельними плитками. Виріб призначений для використання всередині приміщень у сухому, добре освітлюваному середовищі з адекватною вентиляцією.

Виріб не призначений для обробки вологих матеріалів та поверхонь.

Не використовуйте пристрій для будь-яких інших цілей.

ДОДАТКОВІ ПОПЕРЕДЖЕННЯ З ТЕХНІКИ БЕЗПЕКИ ЩОДО ВИКОРИСТАННЯ АКУМУЛЯТОРІВ

⚠ ПОПЕРЕДЖЕННЯ! Для зменшення ризику загоряння, травмування та пошкодження пристрою у разі короткого замикання ніколи не занурюйте інструмент, акумуляторну батарею або зарядний пристрій у рідину та не допускайте потрапляння рідини всередину. Корозійні або струмопровідні



рідини, такі як морська вода, деякі промислові хімікати, вибілювачі або продукти, що містять вибілювачі, та інше, можуть стати причиною короткого замикання.

Не викидайте використані акумуляторні батареї разом з побутовими відходами та не спалюйте їх. AEG Distributors пропонує послугу забирання старих акумуляторів, щоби захистити довкілля.

Для заряджання акумуляторів використовуйте тільки зарядний пристрій AEG. Не використовуйте акумуляторні батареї інших систем.

Ніколи не розкривайте акумуляторні батареї або зарядні пристрої та зберігайте їх тільки у сухих приміщеннях. Тримайте акумулятори та зарядні пристрої постійно сухими.

Якщо акумулятори не використовувалися впродовж певного часу, їх слід підзарядити перед експлуатацією.

Робота акумуляторів погіршується за температури вище 50°C (122°F). Захищайте пристрій від дуже високих температур та прямого сонячного світла (аби запобігти ризику перегріву).

Контакти зарядних пристроїв та акумуляторних батарей повинні бути чистими.

Щоб подовжити термін служби акумуляторів, повністю заряджайте їх після використання.

Щоб термін служби акумуляторів був максимальним, виймайте акумулятор із зарядного пристрою після повного заряджання.

Під час зберігання акумуляторної батареї більш ніж 30 днів:

- Зберігайте акумулятор при температурі нижче 27°C якомога далі від вологих приміщень.
- Зберігайте акумулятори у "зарядженому" стані з рівнем заряду 30%-50%.
- Кожні 6 місяців слід заряджати акумулятор як звичайно.

ЗАХИСТ АКУМУЛЯТОРА

Акумулятор має захист від перевантаження, що захищає його від перевантаження та допомагає забезпечити тривалий термін служби.

Під час великого перевантаження акумулятор вимикається. Для перезавантаження пристрій та увімкнати знову. Якщо пристрій знову не запускається, акумулятор може повністю розрядитися. Зарядіть акумулятор.

ПЕРЕВЕЗЕННЯ ЛІТЄВИХ БАТАРЕЙ

Літій-іонні акумулятори підпадають під дію закону про поводження з небезпечними продуктами.

Транспортування цих акумуляторів має здійснюватися згідно з місцевими, національними та міжнародними директивами та правилами.

- Акумулятори можна транспортувати автомобільним транспортом без додаткових вимог.
- Комерційне перевезення літій-іонних акумуляторів відбувається з дотриманням правил перевезення небезпечних вантажів. Підготовка до транспортування та транспортування має виконуватись виключно належним чином підготовленим персоналом та здійснюватись під наглядом відповідних експертів.

При перевезенні акумуляторів:

- Переконайтесь, що контакти з'єднання захищені та ізовані, щоб запобігати короткому замиканню.
 - Переконайтесь, що акумулятор надійно закріплений в упакуванні.
 - Не перевозити батареї, які мають тріщини або протечки.
- Консультуйтеся з експедиторською компанією для подальших консультацій.

ТЕХНІЧНЕ ОБСЛУГОВУВАННЯ

Використовуйте лише аксесуари та запасні частини виробництва AEG. У разі потреби у заміні компонентів, не описаних в інструкції, звертайтеся до сервісних центрів та агентів AEG (див. список наших гарантійних та сервісних центрів з адресами).

За потреби можна замовити зображення пристрою у розібраному вигляді. Вкажіть тип товару та серійний номер, надруковані на етикетці, і замовляйте креслення у місцевому сервісному представництві або безпосередньо за адресою: Techtronic Industries GmbH, Max-Eyth-Straße 10, 71364 Winnenden, Germany.

СИМВОЛИ



Перед використанням пристрою уважно прочитайте ці інструкції.



УВАГА! ПОПЕРЕДЖЕННЯ! НЕБЕЗПЕЧНО!



Вийміть батарею перед початком ремонту або технічного обслуговування приладу.



Щоб знизити ризик отримання травми або пошкодження, уникайте контакту з будь-якою гарячою поверхнею.



Надягайте засоби захисту очей.



Носіть захисні навушники.



Одягніть відповідну захисну маску для захисту від пилу.



Надягайте робочі рукавиці.



Не викидайте старі акумулятори, старе електричне та електронне устаткування разом із несорттованим побутовим сміттям. Старі акумулятори, старе електричне та електронне устаткування збираються окремо. З устаткування необхідно зняти старі батареї, акумулятори та джерела світла. За інформацією стосовно утилізації або місць збору звертайтеся до місцевої влади або дилера. Місцеве законодавство може зобов'язувати продавців безкоштовно приймати старі акумулятори та електричне й електронне устаткування. Ваш внесок до справи повторного використання та переробки старих акумуляторів, електричного та електронного устаткування зменшує потребу у сировині. В акумуляторах, особливо літєвих, і старому електричному та електронному устаткуванні містяться цінні, придатні для переробки матеріали, і якщо утилізація такого устаткування проводиться у неекологічний спосіб, це негативно впливає на навколишнє середовище та людське здоров'я. Видаліть персональні дані з устаткування, яке передається на переробку.



Швидкість без навантаження



Вольт



Постійний струм



Європейський знак відповідності



Український знак відповідності



Євразійська знак відповідності.



فولت	V
تيار مباشر	
علامة المطابقة الأوروبية	CE
علامة المطابقة الأوكراينية	
علامة المطابقة الأوروبية الآسيوية	EAC

تقوم الأجزاء الإلكترونية للبطارية -عند تعرضها للضغط الشديد- بإيقاف تشغيل المُنتج تلقائياً. لإعادة التشغيل، أوقف تشغيل المنتج ثم أعد تشغيله من جديد. إذا لم يبدأ تشغيل المُنتج مرة أخرى، فربما تكون مجموعة البطارية فارغة تماماً. يجب إعادة شحن حزمة البطارية

نقل بطاريات الليثيوم

تخضع بطاريات Lithium-ion لمتطلبات تشريع البضائع الخطرة. يجب نقل هذه البطاريات وفقاً للقوانين والأنظمة المحلية والوطنية والدولية.

- يمكن نقل البطاريات براً دون متطلبات إضافية.
- يخضع النقل التجاري لبطاريات أيون الليثيوم للوائح البضائع الخطرة. يجب أن يتم إعداد النقل وتنفيذه بواسطة أشخاص مدربين تدريباً مناسباً وأن يصبح تنفيذ العملية خبراء مناظرين.

عند نقل البطاريات:

- تأكد من أن نهايات توصيل البطارية محمية ومعزولة لمنع حدوث دائرة قصر.
- تأكد من أن حزمة البطارية مؤمنة ضد التحرك داخل عبوة التغليف.
- لا تنقل البطاريات المكسورة أو التي حدث بها تسريب.
- راجع الأمر مع شركة الشحن لمزيد من المشورة.

الصيانة

استخدام قطع ملحقات وقطع غيار AEG. إذا اقتضت الحاجة تغيير بعض المكونات التي لم يرد وصفها، يرجى الاتصال بأحد وكلاء خدمة AEG لدينا (راجع قائمتنا الخاصة بعنوانين الضمان/الخدمة).

إذا اقتضت الحاجة، يمكن طلب الحصول على عرض مفصل للمنتج. حدد نوع المنتج والرقم التسلسلي المطبوع على الملصق، واطلب الرسم من وكيل الخدمة المحلي أو مباشرة في: Techtronic Industries GmbH, Max-Eyth-Straße 10, 71364 Winnenden, Germany.

الرموز

اقرأ التعليمات بعناية قبل بدء تشغيل المنتج.	
احتياطات! تحذير! خطر!	
قم بإزالة حزمة البطارية قبل البدء في أي عمل على المنتج.	
لتقليل مخاطر الإصابة أو التلف، تجنب ملامسة أي سطح ساخن.	
يجب ارتداء واقي للعين.	
ارتد واقيات الأذن.	
يجب ارتداء قناع حماية مناسب ضد الغبار.	
يجب ارتداء قفازات.	
يجب عدم التخلص من نفايات البطاريات أو نفايات المعدات الكهربائية والإلكترونية على أنها نفايات بلدية بلا فرز. يجب جمع نفايات البطاريات والمعدات الكهربائية والإلكترونية وفرزها بشكل منفصل. يجب عزل نفايات البطاريات ومراكز النفايات ومصادر الضوء وفصلها عن المعدات. استشر المسؤول أو بائع التجزئة المحلي للحصول على نصائح حول إعادة التدوير ونقاط التجميع. وفقاً للوائح المحلية، قد يلزم تجار التجزئة باسترداد نفايات البطاريات ونفايات المعدات الكهربائية والإلكترونية مجاناً. تساعد مساهمتك في إعادة استخدام وتدوير نفايات البطاريات ونفايات المعدات الكهربائية والإلكترونية على تقليل الطلب على المواد الخام. تحتوي نفايات البطاريات -ولا سيما التي تحتوي على الليثيوم- ونفايات المعدات الكهربائية والإلكترونية على مواد ذات قيمة مرتفعة وقابلة لإعادة التدوير وقد تؤثر سلباً على البيئة وصحة الإنسان إذا لم يتم التخلص منها بطريقة متوافقة مع النظم البيئية. يجب حذف البيانات الشخصية من نفايات المعدات، إن وُجدت.	
السرعة اللاحمية	n ₀





البيانات التقنية	
النوع	أداة متعددة الأغراض
رمز الإنتاج	4757 55 01 000001-999999 MJJJJ
جهد البطارية	18 V ===
السرعة اللاحمليّة	10000-20000 min ⁻¹
زاوية التآرجح يسار/يمين	1,6/1,6°
الوزن (بدون حزمة البطارية)	1,04 kg
الوزن وفقاً لإجراء جمعية أدوات الطاقة الأوروبية (EPTA) رقم 01/2014 (إيثيوم أيون 2.0 أمبير/الساعة ... 9.0 أمبير/الساعة)	1,46 ... 2,19 kg
درجة الحرارة الموصى بها للوسط المحيط أثناء التشغيل	-18...+50 °C
نوع البطارية الموصى بها	L18...
الشاحن الموصى به	AL18G, BL1...
معلومات المتعلقة بالضوضاء	
يتم قياس القيم وفقاً للمواصفة EN 62841. في العادة، تكون مستويات الضوضاء A المرحجة للأداة هي:	
مستوى الضغط المناسب / غير مؤك	
مستوى الطاقة المناسب / غير مؤك	
يجب ارتداء واقيات الأذن!	
المعلومات المتعلقة بالاهتزاز	
يتم تحديد القيم الإجمالية للاهتزاز (مجموع متجه ثلاثي المحاور) وفقاً للمواصفة EN 62841.	
قيمة انبعاثات الاهتزاز / غير مؤك	
صنفرة مع لوح الصنفرة	
قطع غاطس	
قطع تسوية	
L _{PA} =81,0 dB (A) / K _{PA} =3 dB(A)	
L _{WA} =92,0 dB (A) / K _{WA} =3 dB(A)	
a _p =7,2 m/s ² / K=1,5 m/s ²	
a _w =13,1 m/s ² / K=1,5 m/s ²	
a _h =12,4 m/s ² / K=1,5 m/s ²	

تحذير!

تم قياس القيم الإجمالية المصروح بها للاهتزاز وقيم انبعاثات الضوضاء المصروح بها الواردة في هذا الدليل للتعليمات وفقاً لاختبار موحد ويمكن استخدامها لمقارنة أداة بأخرى. ويمكن استخدامها لإجراء تقييم أولي للتعرض للاهتزاز.

يمثل مستوى انبعاثات الاهتزاز والضوضاء المصروح به القيم الصادرة عن استخدام الأداة في التطبيقات الأساسية لها. ومع ذلك فإذا استخدمت الأداة لتطبيقات مختلفة، ومع ملحقات مختلفة أو مع سوء الصيانة، فقد تختلف قيم انبعاثات الاهتزاز والضوضاء. وقد تؤدي هذه الظروف إلى زيادة كبيرة في مستويات التعرض للاهتزاز والضوضاء خلال فترة العمل بأكملها.

وعند تقدير مستوى التعرض للاهتزاز والضوضاء، يجب أن تراعى الأوقات التي يتم فيها إيقاف تشغيل الأداة أو عند تشغيلها بدون حمل. وقد تؤدي هذه الظروف إلى خفض كبير في مستويات التعرض للاهتزاز والضوضاء خلال فترة العمل بأكملها.

حدد تدابير السلامة الإضافية لحماية المشغل من تأثيرات الاهتزاز والضوضاء مثل: صيانة الأداة والملحقات، والحفاظ على دافع الأيدي (في حالة الاهتزاز)، وتنظيم أنماط العمل.

تحذير! اقرأ جميع تحذيرات السلامة والتعليمات والرسوم التوضيحية والمواصفات المتوفرة مع هذه الأداة الكهربائية. قد يؤدي عدم اتباع جميع الإرشادات المذكورة أعلاه إلى حدوث صدمة كهربائية و/أو حرق و/أو إصابة خطيرة. احتفظ بجميع التحذيرات والتعليمات للرجوع إليها مستقبلاً.

تحذيرات السلامة للأداة متعددة الأغراض

يجب الإمسك بالأداة الكهربائية باستخدام أسطح معزولة مخصصة لذلك عند القيام بعمل يتطلب ملامسة ملحق القطع للاسلاك المعدنية. قد تؤدي ملحقات القطع التي تلامس سلكاً "مكهرباً" إلى "كهربة" الأجزاء المعدنية المكشوفة من الأداة الكهربائية، وقد يؤدي ذلك إلى إصابة مشغل الأداة بصدمة كهربائية.

تعليمات إضافية للسلامة والتشغيل

يجب دائماً ارتداء نظارات واقية وقناع ضد الغبار عند الصنفرة، خاصة الصنفرة العلوية. يجب ارتداء قناع تنفس مناسب أثناء صنفرة الطلاء المحتوي على الرصاص وبعض الأخشاب والمعادن لتجنب استنشاق الغبار أو الهواء الضار/السام.

قد يكون الغبار الناتج عن استخدام المنتج ضاراً بصحة مشغل الأداة والمحيطين به. يجب أن يحرس مشغل الأداة والمحيطون به على عدم لمس الغبار أو استنشاقه. يجب ارتداء قناع حماية مناسب ضد الغبار.

يجب عدم استخدام الأداة مع أي مواد تشكل خطراً على الصحة (مثل الأسبستوس). ثبتت فطمة العمل بأداة تثبيت. يمكن أن تتسبب قطع العمل غير المثبتة في وقوع إصابات خطيرة وتلفيات.

بعد المنتج تشغيل نفسه تلقائياً إذا توقف. يجب إطفاء المنتج فور تعطله عن العمل. يجب عدم تشغيل المنتج مرة أخرى حال كونه ما يزال مغطلاً، لأن ذلك قد يؤدي إلى ارتداد مفاجئ بقوة ارتكاسية عالية. يجب تحديد سبب تعطل المنتج وإصلاح ذلك، مع مراعاة تعليمات السلامة.

قم بإزالة حزمة البطارية قبل البدء في أي عمل على المنتج.

شروط استخدام محددة

صُممت الأداة متعددة الأغراض للاستخدام في:

- صنفرة وصلل المعادن والأخشاب أو البلاستيك أو المواد المماثلة باستخدام ألواح الصنفرة مع الألواح الكاشطة المشكّلة المتوفرة مع الأداة
- الكشط والقطع الغاطس في المعادن غير الحديدية والأخشاب والبلاستيك والألواح الجصية وما إلى ذلك؛ باستخدام شفرات القطع المعدنية المتوفرة مع الأداة
- عمل فتحات في الجدران لتزكيب مفتاح أو مأخذ الطاقة

تحذيرات إضافية للسلامة خاصة بالبطاريات

تحذير! لتقليل مخاطر التعرض للحرائق والإصابات الشخصية وتلف المنتج بسبب دائرة القصر، لا تقم أبداً بغمر الأداة أو حزمة البطارية أو الشاحن في سائل أو ترك أي سائل يتدفق إلى داخلها. فالسوائل المسببة للتآكل أو الموصلية مثل مياه البحر وبعض المواد الكيميائية الصناعية ومنتجات التبييض أو المنتجات التي تحتوي على مواد التبييض وما إلى ذلك - قد تتسبب في حدوث دائرة قصر كهربائية.

لا تتخلص من حزم البطاريات المستخدمة بقائتها ضمن قمامة المنزل أو حرقها. فإن موزعي شركة AEG يقدمون عرضاً باستعادة البطاريات القيمة لحماية بيئتنا.

استخدم فقط شواحن AEG لشحن حزم البطاريات. لا تستخدم حزم البطاريات من أنظمة أخرى. لا تكسر أبداً حزم البطاريات والشواحن، ويجب تخزينها في غرف جافة فقط. احرص على جفاف حزم البطاريات والشواحن في جميع الأوقات.

يجب إعادة شحن حزمة البطارية التي لم تستخدم لبعض الوقت قبل الاستخدام. درجات الحرارة التي تزيد عن 50 درجة مئوية (122 درجة فهرنهايت) تقلل من أداء حزمة البطارية. تجنب التعرض للحرارة أو أشعة الشمس لفترة طويلة (خطر ارتفاع درجة الحرارة). يجب أن تظل التوصيلات بين أجهزة الشحن وحزمة البطارية نظيفة.

يجب شحن حزمة البطارية بالكامل بعد استخدامها لإطالة عمرها الافتراضي. يجب إزالة حزمة البطارية من الشاحن بمجرد اكتمال الشحن للحصول على أطول عمر ممكن للبطارية.

لتخزين حزمة البطارية لفترة أطول من 30 يوماً:

- يجب تخزين حزمة البطارية في مكان بدرجة حرارة أقل من 27 مئوية وبعيداً عن الرطوبة.
- يجب تخزين حزمة البطارية وهي مشحونة بنسبة 30% - 50%.
- كل ستة أشهر من التخزين، يجب إعادة شحن حزمة البطارية كالمعتاد.

حماية حزمة البطارية

تحتوي حزمة البطارية على حماية ضد الحمل الزائد والتي تحميها من التحميل الزائد وتساعد على ضمان عمر طويل.





EC-DECLARATION OF CONFORMITY

We declare as the manufacturer under our sole responsibility that the product described under Technical Data fulfills all the relevant provisions of the following European Directives, European Regulations and harmonised standards.¹

Authorised to compile the technical file.²

EU-KONFORMITÄTSEKTLÄRUNG

Wir als Hersteller erklären in alleiniger Verantwortung, dass das unter „Technische Daten“ beschriebene Produkt allen einschlägigen Bestimmungen der folgenden EU-Richtlinien, EU-Verordnungen und harmonisierten Normen entspricht.¹

Autorisiert die technische Datei zu erstellen.²

DÉCLARATION DE CONFORMITÉ CE

Nous déclarons, en qualité de fabricant, sous notre entière responsabilité, que le produit décrit dans la section Données techniques remplit toutes les dispositions pertinentes des directives et réglementations européennes suivantes, ainsi que des normes harmonisées.¹

Autorisé à rédiger le dossier technique.²

DICHIARAZIONE DI CONFORMITÀ CE

In qualità di produttori, dichiariamo, sotto la nostra esclusiva responsabilità, che il prodotto descritto nelle Specifiche tecniche ottempera a tutte le pertinenti disposizioni delle seguenti direttive europee, normative europee e dei seguenti standard armonizzati.¹

Autorizzato per compilare il file tecnico.²

DECLARACIÓN DE CONFORMIDAD CE

Como fabricante, declaramos, bajo nuestra exclusiva responsabilidad, que el producto descrito en el apartado Datos Técnicos cumple con todas las disposiciones relevantes de las siguientes directivas, normas armonizadas y reglamentos europeos.¹

Autorizado para elaborar la ficha técnica.²

DECLARAÇÃO DE CONFORMIDADE DA CE

Declaramos na qualidade de fabricante e sob nossa exclusiva responsabilidade que o produto mencionado nos Dados técnicos cumpre todas as disposições aplicáveis das seguintes diretivas, regulamentos e normas harmonizadas da União Europeia.¹

Autorizado para compilar o ficheiro técnico.²

EG-VERKLARING VAN OVEREENSTEMMING

Wij verklaren naar onze eigen verantwoordelijkheid als fabrikant, dat het hieronder genoemde product voldoet aan alle relevante bepalingen van de volgende Europese richtlijnen, Europese verordeningen en geharmoniseerde normen.¹

Afgevaardigde voor het samenstellen van de technische fiche.²

EF-OVERENSSTEMMELSESERKLÆRING

Vi erklærer som fremstiller under eget ansvar, at produktet beskrevet under Tekniske data opfylder alle de relevante forskrifter i de følgende europæiske direktiver, europæiske forordninger og harmoniserede standarder.¹

Bemyndiget til at udarbejde det tekniske kartotek.²

EU-ERKLÆRING OM SAMSVAR

Vi erklærer, som producent, på eget ansvar at produktet beskrevet under tekniske data opfylder alle de relevante bestemmelserne i de europæiske direktiver, europæiske forskrifter og harmoniserede standarder.¹

Autorisert til å sette sammen den tekniske filen.²

EG-FÖRSÄKRAN OM ÖVERENSSTÄMMELSE

Vi som tillverkare förklarar under eget ansvar att den produkt som beskrivs under rubriken Tekniska uppgifter uppfyller alla relevanta föreskrifter i följande europeiska direktiv, europeiska förordningar och harmoniserade standarder.¹

Godkänd att sammanställa den tekniska filen.²

EY-VAATIMUSTENMUKAISUVAKUUTUS

Valmistajana vakuutamme omalla vastuullamme, että teknisissä tiedoissa kuvattu tuote täyttää kaikki seuraavien eurooppalaisten direktiivien ja määräysten ja yhdenmukaistettujen standardien kaikki asiaankuuluvat säännökset.¹

Valtuutettu kokoamaan tekninen tiedosto.²

ΔΗΛΩΣΗ ΣΥΜΜΟΡΦΩΣΗΣ ΕΕ

Δηλώνουμε, με την ιδιότητα του κατασκευαστή και με αποκλειστικά δική μας ευθύνη, ότι το προϊόν που περιγράφεται στα Τεχνικά στοιχεία πληρεί όλες τις σχετικές διατάξεις των ακόλουθων Ευρωπαϊκών Οδηγιών, Ευρωπαϊκών Κανονισμών και εναρμονισμένων προτύπων.¹

Εξουσιοδοτημένος για τη σύνταξη του αρχείου τεχνικών χαρακτηριστικών.²

AT-UYGUNLUK BEYANI

Üretici olarak tüm sorumluluğu bize ait olmak üzere, Teknik Verilerde belirtilen ürünüün aşağıdaki Avrupa Direktifleri, Avrupa Mevzuatı ve uyumlaştırılmış standartların ilgili hükümlerini yerine getirdiğini beyan ederiz.¹

Teknik dosyayı derleme yetkisine sahip.²

PROHLÁŠENÍ O SHODĚ CE

Jako výrobce prohlašujeme výhradně na vlastní odpovědnost, že výrobek uvedený v Technických údajích splňuje všechna příslušná ustanovení evropských směrnic, evropských nařízení a harmonizovaných norem.¹

Pověření ke kompilaci technického souboru.²

VYHLÁŠENIE O ZHODE ES

Ako výrobca na vlastnú zodpovednosť vyhlasujeme, že výrobok uvedený nižšie pod technickými údajmi vyhovuje príslušným ustanoveniam nasledujúcich európskych smerníc, európskych nariadení a harmonizovaných noriem.¹

Oprávnená osoba na zostavenie technického súboru.²

DEKLARACJA ZGODNOŚCI WE

Jako producent oświadczamy na własną odpowiedzialność, że produkt opisany w sekcji „Specyfikacja” spełnia wszystkie istotne postanowienia wymienionych poniżej dyrektyw UE, przepisów europejskich oraz norm zharmonizowanych.¹

Dyrektor zarządzający.²

EK-MEGFELELŐSÉGI NYILATKOZAT SZERINT

Gyártóként kizárólagos felelősségünk tudatában nyilatkozunk, hogy a Műszaki adatok részben leírt termék megfelel a következő európai irányelvek, szabályozások és harmonizált szabványok vonatkozó rendelkezéseinek.¹

A műszaki dokumentáció összeállítására felhatalmazott.²

IZJAVA O SKLADNOSTI ES

Kot proizvajalec pod izključno lastno odgovornostjo izjavljamo, da izdelek, opisan v razdelku tehnični podatki, izpolnjuje vse ustrezne predpise naslednjih evropskih direktiv, evropskih uredb in harmoniziranih standardov.¹

Pooblaščenca oseba za sestavo tehnične dokumentacije.²

EZ IZJAVA O SUKLADNOSTI

Kao proizvođač, pod punom odgovornošću izjavljujemo da proizvod opisan u tehničkim podacima zadovoljava sve relevantne odredbe sljedećih evropskih direktiva, evropskih uredbi i usklađenih normi.¹

Ovlašten da sastavi tehničku datoteku.²

ES ATBILSTÍBAS DEKLARÁCIJA

Ar pilnu atbildību mēs kā ražotājs deklarējam, ka sadalā Tehniskie dati aprakstītais produkts izpilda visas atbilstošās norādīto Eiropas direktīvu, Eiropas regulu un harmonizēto standartu prasības.¹

Pilnvarots sastādīt tehnisko failu.²

EB ATITIKTIES DEKLARACIJA

Mes, gamintojai, atsakingai pareiškiame, kad techninių duomenų dokumente aprašytas gaminys atitinka visas atitinkamas toliau nurodytų Europos direktyvų, Europos reglamentų ir diramųjų standartų nuostatas.¹

Igaliotas sudaryti techninį failą.²

EÜ VASTAVUSDEKLARATSIOON

Kinnitame tootjana oma ainuiskulisel vastutusel, et jaotises „Tehnilised andmed“ kirjeldatud toode vastab kõigile järgmistele Euroopa direktiivide, Euroopa määruste ja ühtlustatud standardite asjakohastele sätetele.¹

Tehnilise faili koostamiseks volitatud isik.²



ДЕКЛАРАЦИЯ О СООТВЕТСТВИИ ЕЭС

Со всей ответственностью как производитель заявляем, что изделие, указанное в «Технических характеристиках», отвечает всем соответствующим положениям следующих европейских директив, европейских регламентов, а также гармонизированных стандартов.¹

Лицо, ответственное за подготовку технической документации.²

ДЕКЛАРАЦИЯ НА ЕО ЗА СЪОТВЕТСТВИЕ

Като производител декларираме на своя лична отговорност, че продуктът, описан в „Технически данни“, отговаря на всички съответни разпоредби на директивите и регламентите на Европейския съюз и хармонизираните стандарти по-долу.¹

Упълномощено лице за съставяне на техническия файл.²

DECLARAȚIA CE DE CONFORMITATE

În calitate de producător, declarăm pe proprie responsabilitate că produsul descris în fișa de date tehnice îndeplinește toate prevederile relevante ale directivelor Uniunii Europene, ale Regulamentelor UE și standardele armonizate.¹

Autorizat să completeze fișa tehnică.²

ЕК-ДЕКЛАРАЦИЈА ЗА СООБРАЗНОСТ

Ние, како производител, изјавуваме под наша единствена одговорност дека производот опишан во Технички податоци ги исполнува сите соодветни одредби на следните европски директиви, европски регулативи и усогласени стандарди.¹

Овластен за прибирање технички податоци.²

ДЕКЛАРАЦІЯ ВІДПОВІДНОСТІ ЄС

Як виробник ми відповідально заявляємо, що описаний нижче у Технічних даних, пристрій відповідає всім чинним положенням директив ЄС, Європейських норм та гармонізованих стандартів.¹

Уповноважений складати технічну документацію.²

بيان المطابقة-EC

نقر نحن -الشركة المصنعة- تحت مسؤوليتنا المنفردة بأن المنتج الموصوف تحت البيانات التقنية يفى بجميع الشروط ذات الصلة بالتوجيهات الأوروبية واللوائح الأوروبية والمعايير المنسقة الواردة فيما يلي.¹
مخول بكتابة الملف التقني.²

Techtronic Industries GmbH
Max-Eyth-Straße 10, 71364 Winnenden, Germany

¹ 2011/65/EU (RoHS)
2014/30/EU
2006/42/EC

EN 62841-1:2015
EN 62841-2-4:2014
EN IEC 55014-1:2021
EN IEC 55014-2:2021
EN IEC 63000:2018



Todd Chipner
Vice President, Quality – Asia
Winnenden, 2021-12-23

² Alexander Krug, Managing Director
Techtronic Industries GmbH
Max-Eyth-Straße 10,
71364 Winnenden,
Germany





AEG



www.aeg-powertools.eu

Techtronic Industries GmbH

Max-Eyth-Straße 10
71364 Winnenden
Germany

(01.22)
961096792-01B

*AEG is a registered trade mark used under
license from AB Electrolux (publ).*

