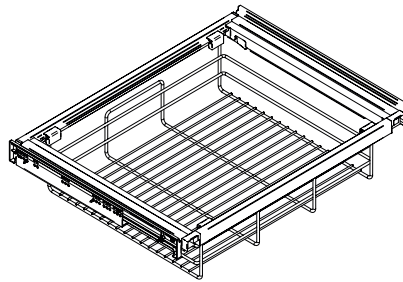
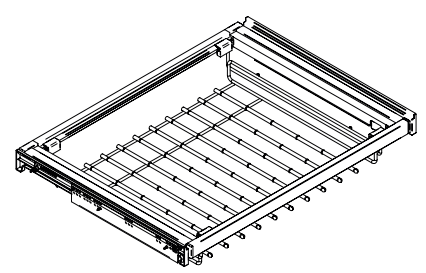


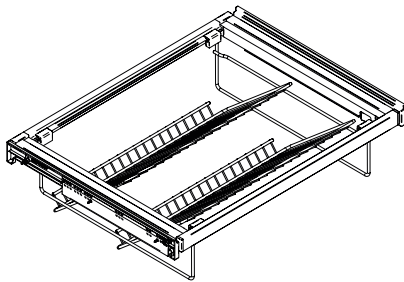
**PANIER RANGEMENT  
COULISSANT 50CM**  
KATFVACF50VGF



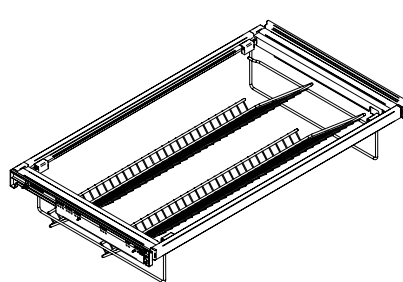
**PANIER RANGEMENT  
COULISSANT 75CM**  
KATFVACF75VGF





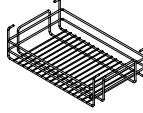
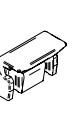

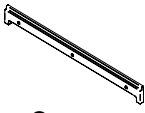
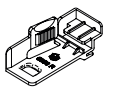
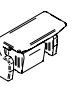

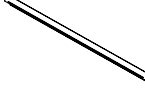
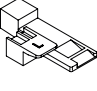

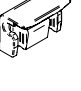

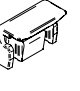



**PORTE PANTALONS  
COULISSANT 75CM**  
KATFVAPP75VGF



**RANGE CHAUSSURES  
COULISSANT 75CM**  
KATFVAS75VGF



**RANGE CHAUSSURES  
COULISSANT 100CM**  
KATFVAS100VGF

 Max: 30 Kg	 20 min	 x 1	 +		<b>T</b>  x 1 KATFVACF50VGF	<b>U</b>  x 4	
<b>A</b>  x 1	<b>D</b>  x 1	<b>G</b>  x 2	<b>L</b>  x 1	<b>P</b>  x 2 M4X16	<b>T</b>  x 1 KATFVACF75VGF	<b>U</b>  x 4	
<b>B</b>  x 1	<b>E</b>  x 1	<b>H</b>  x 2	<b>M</b>  x 1	<b>Q</b>  x 2 Ø6,3X13	<b>T</b>  x 1 KATFVAPP75VGF	<b>U</b>  x 4	<b>V</b>  x 50
<b>C</b>  x 1	<b>F</b>  x 1	<b>I</b>  x 1	<b>N</b>  x 1	<b>R</b>  x 4 Ø4X16	<b>T</b>  x 1 KATFVAS75VGF	<b>U</b>  x 4	
			<b>O</b>  x 2 M4X12	<b>S</b>  x 6 Ø4X20	<b>T</b>  x 1 KATFVAS100VGF	<b>U</b>  x 4	

1) AVVERTENZA! Leggi attentamente le istruzioni prima del montaggio e segui ogni passaggio indicato. L'azienda declina ogni responsabilità dall'uso improprio del prodotto. Ogni uso improprio del prodotto può causare lesioni. Modifiche o manomissioni del prodotto, annullano ogni condizione di garanzia.

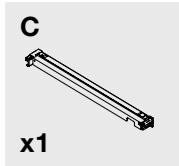
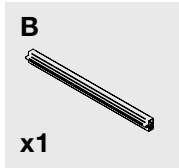
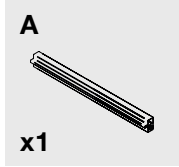
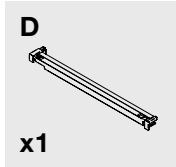
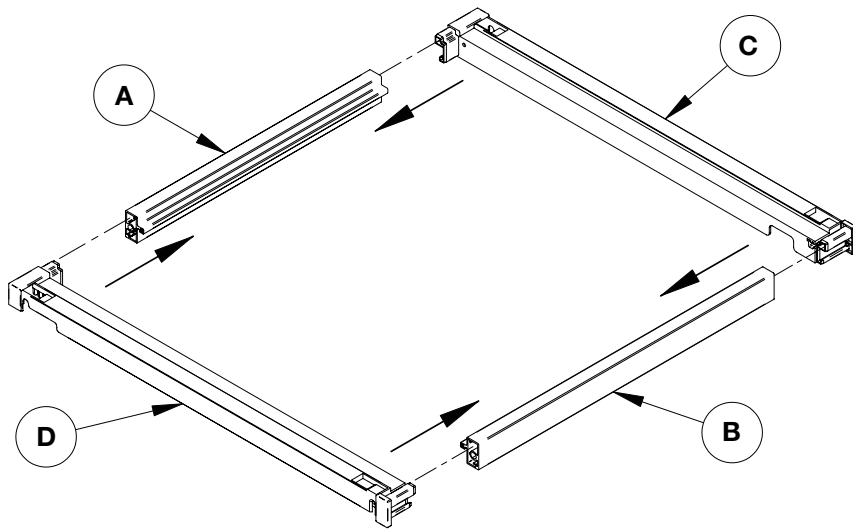
2) Smaltisci i diversi materiali secondo regolamentazioni della tua città.

1) WARNING! Read the instructions carefully before assembly and follow each step indicated.

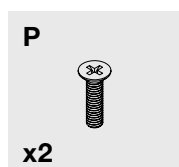
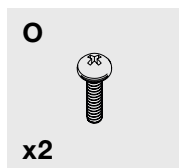
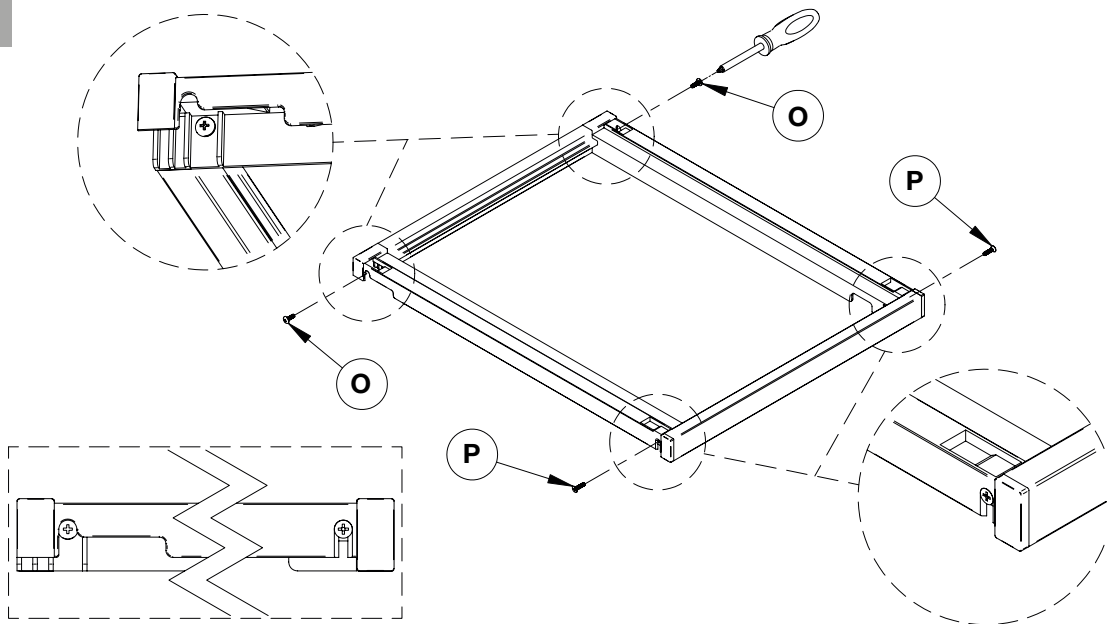
The company declines all responsibility for improper use of the product. Any improper use of the product can cause injury. Modifications or tampering with the product void any warranty conditions.

2) Proceed to dispose of the different materials according to your city regulations.

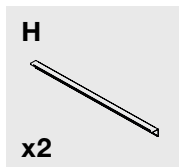
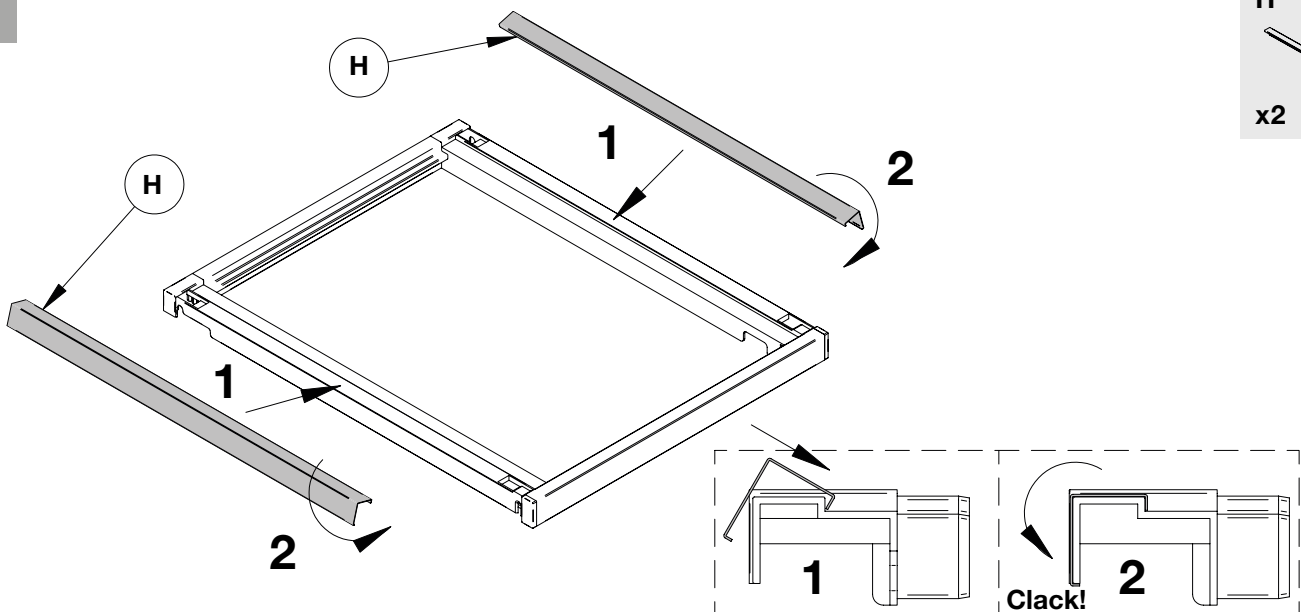
1



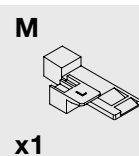
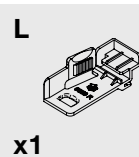
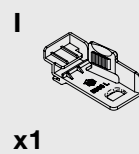
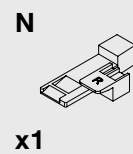
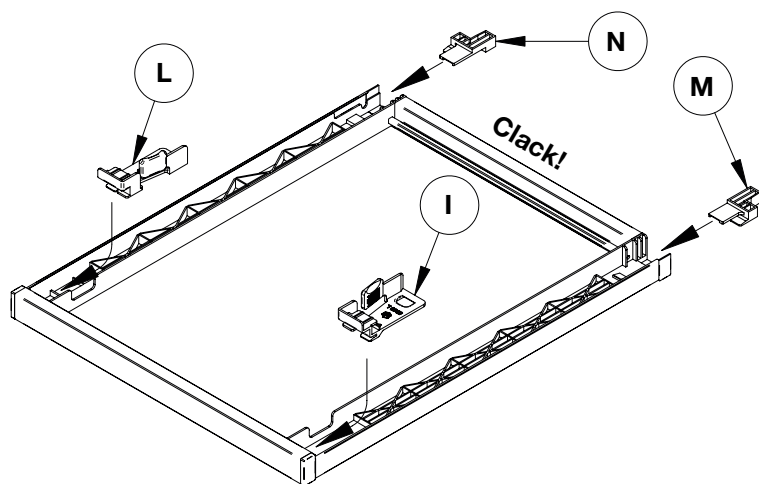
2



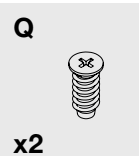
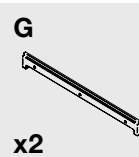
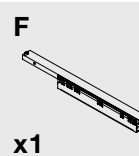
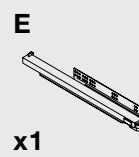
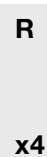
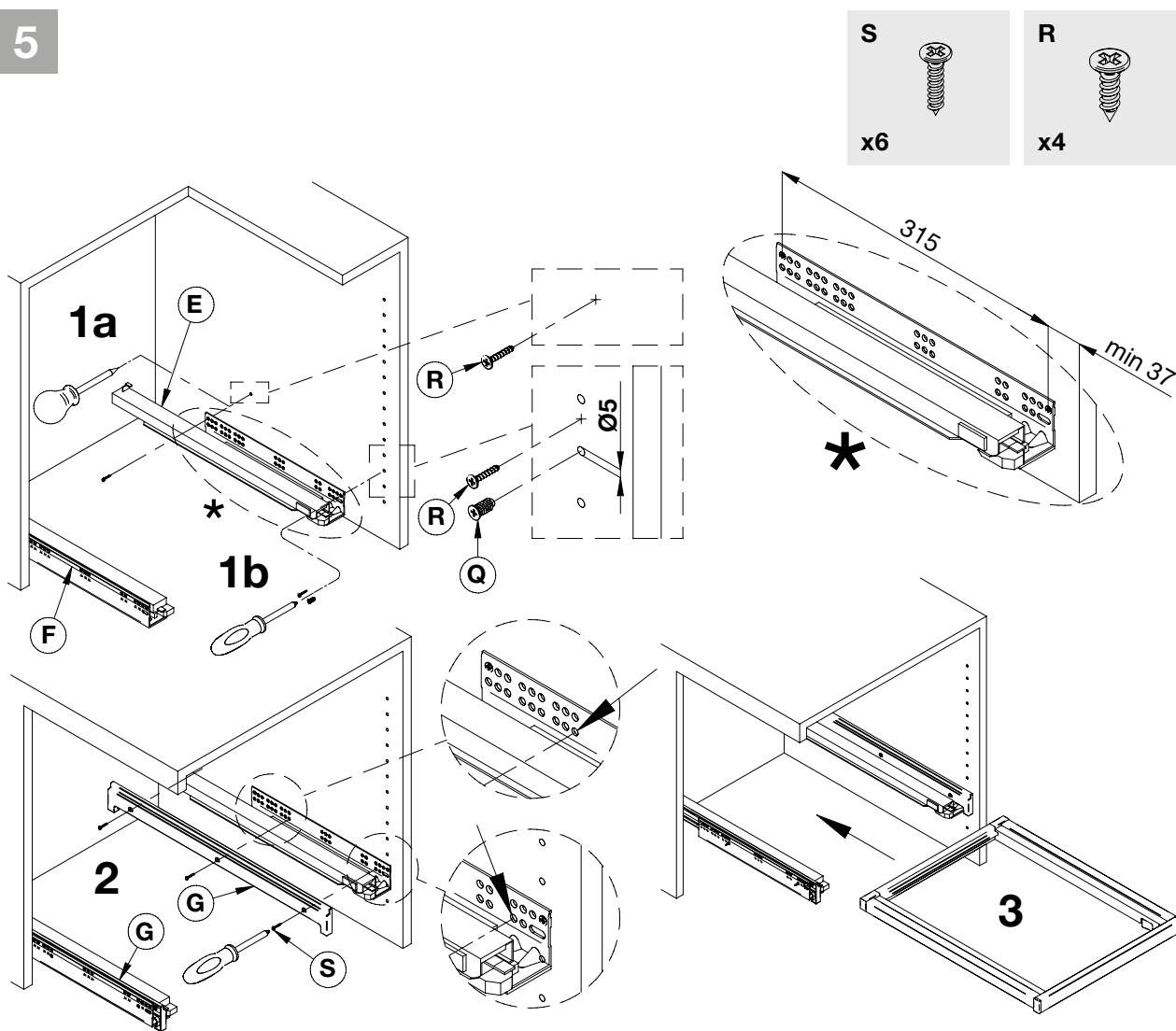
3



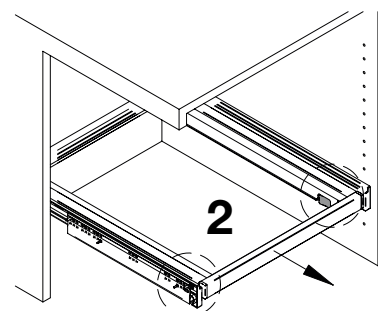
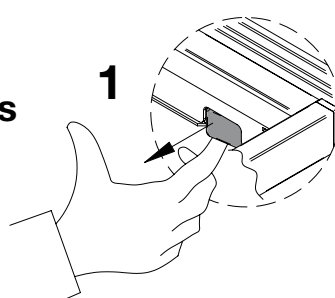
4



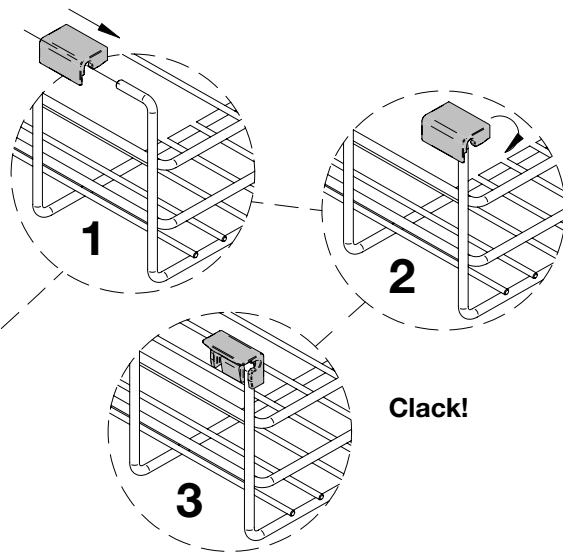
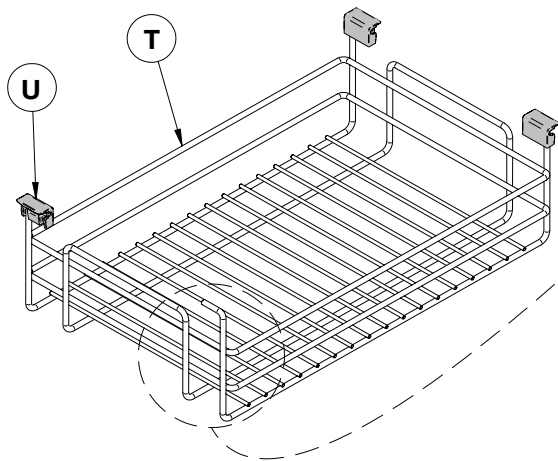
5



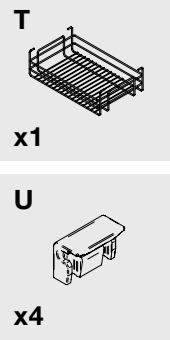
**Smontaggio telaio**  
**Demontage du cadre**  
**Unclipping the frame from slides**



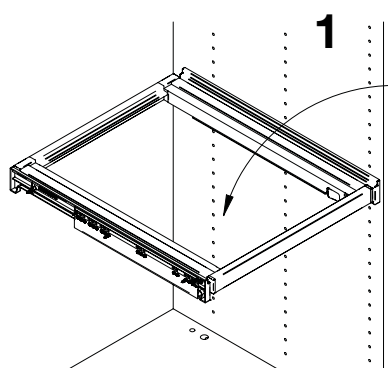
**6** KATFVACF50VGF



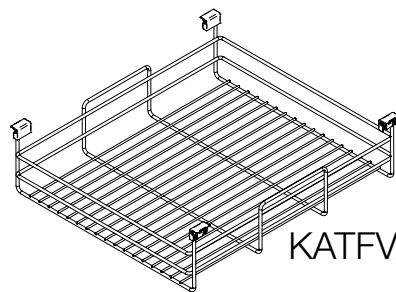
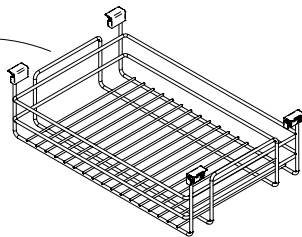
**Clack!**



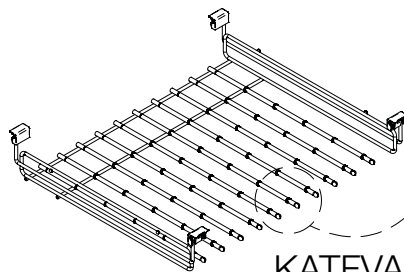
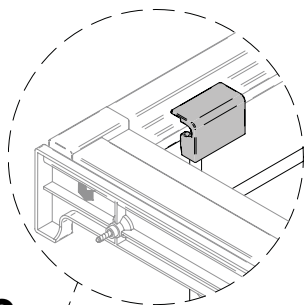
**7**



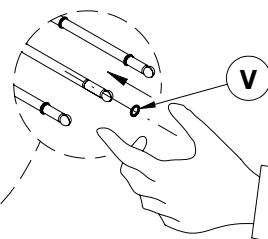
KATFVACF50VGF



KATFVACF75VGF

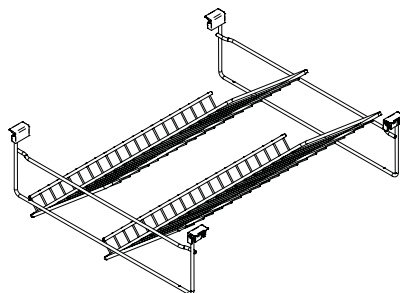
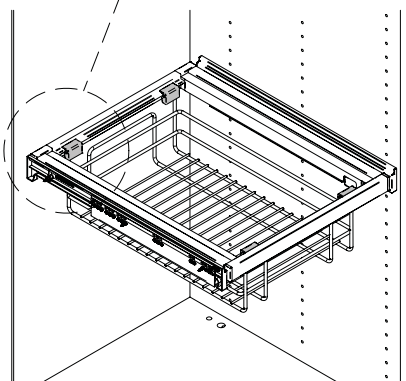


KATFVAPP75VGF

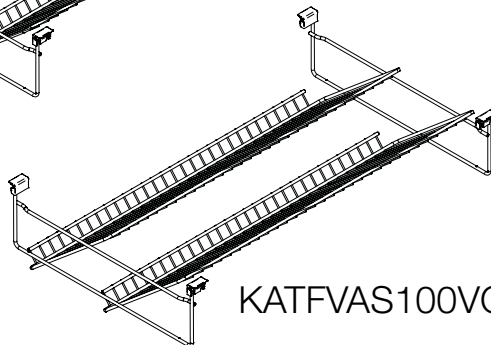


**V**

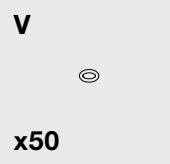
**2**



KATFVAS75VGF



KATFVAS100VGF



Vibo spa

via Arzignano, 46  
36070 Trissino (VI) Italy  
T +39 0445-492800  
F +39 0445-492999  
vibo@viboitaly.com  
www.viboitaly.com