

Istruzioni di montaggio

Assembling instructions

Notice de montage

Montageanleitung

Manual de montaje

Portata massima:

Maximum load:

Charge maxi:

Maximale

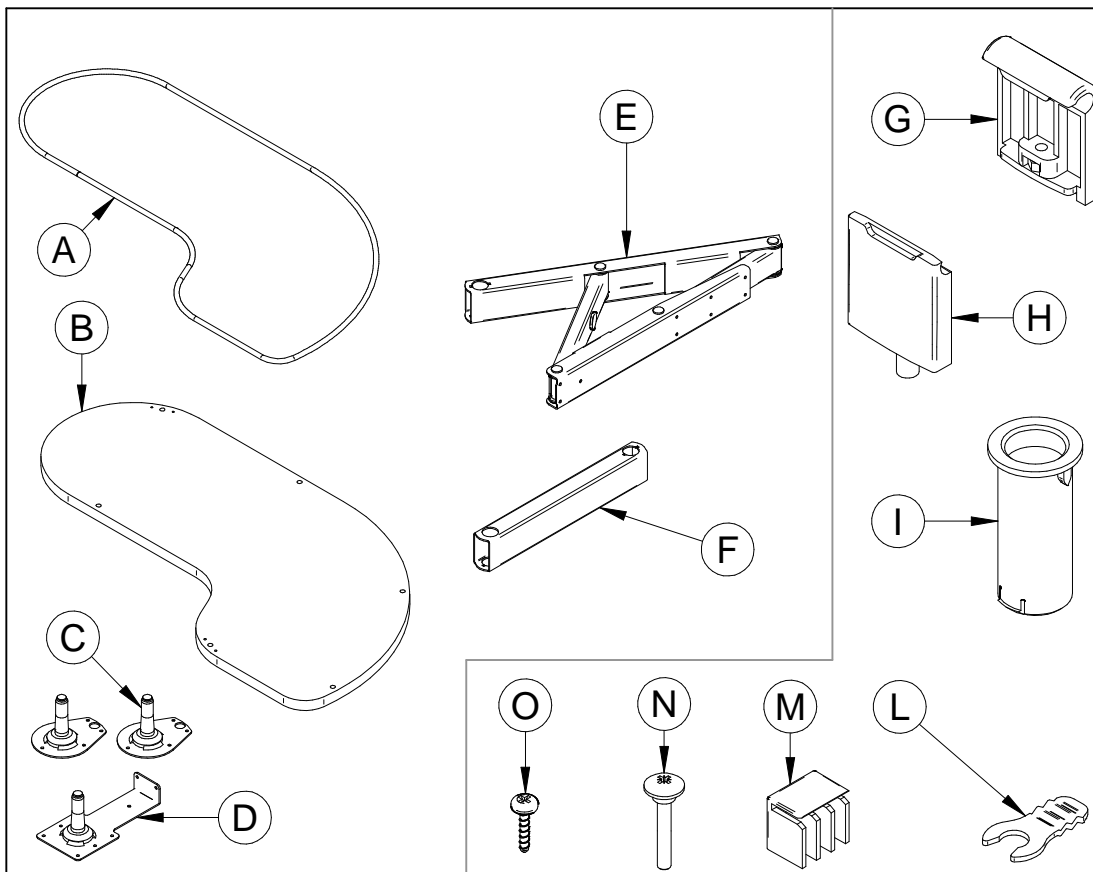
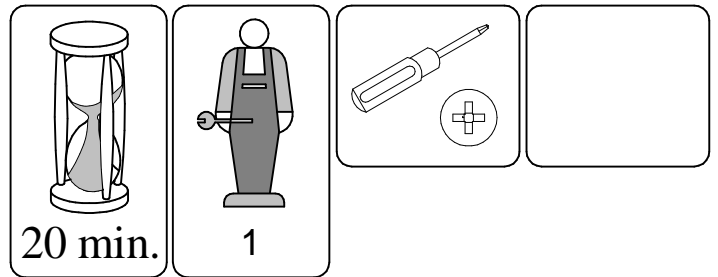
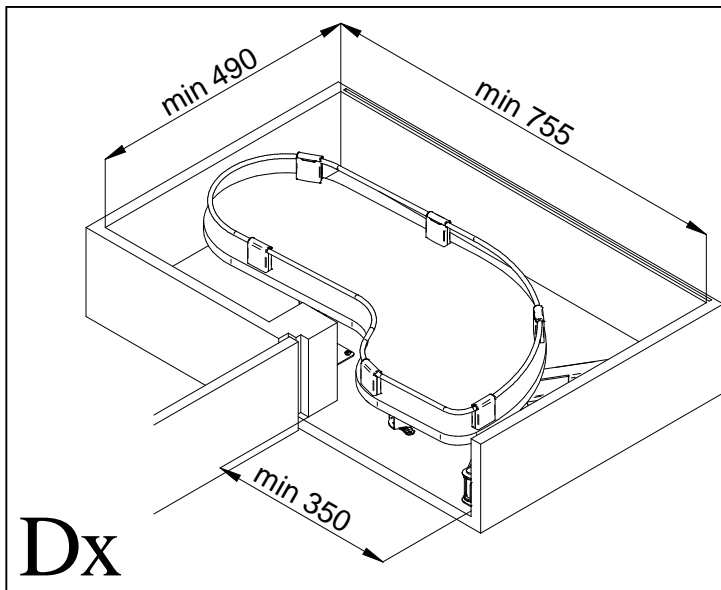
belastbarkeit:

Carga maxima:

25 Kg

Reversibile - Reversible
Rèversible - Reversibel - Reversible

EUK40F1



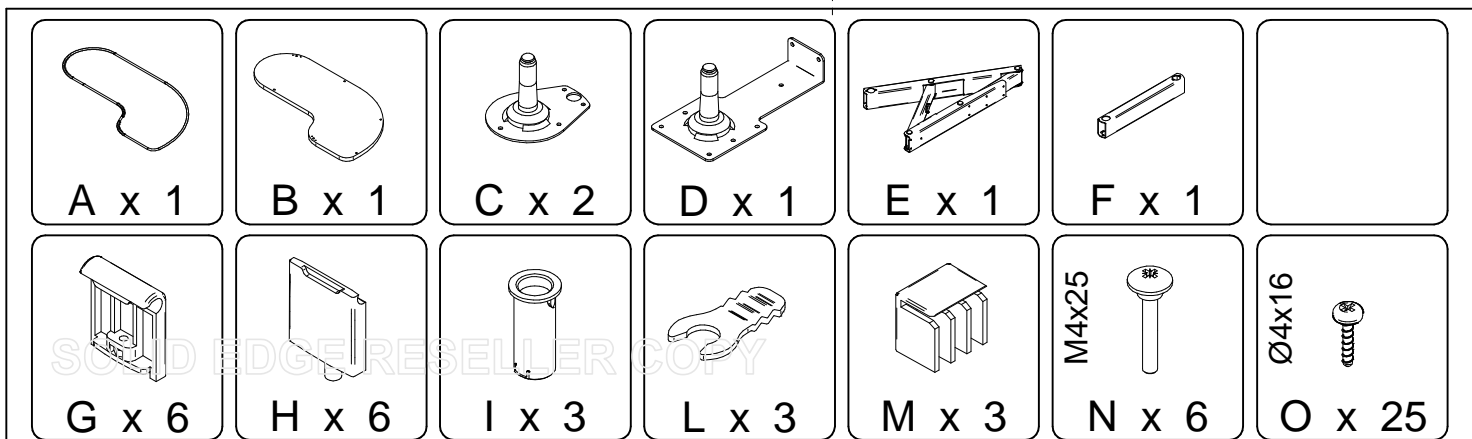
**PRIMA DI COMINCIARE,
VEDERE I CONSIGLI DI
MONTAGGIO**

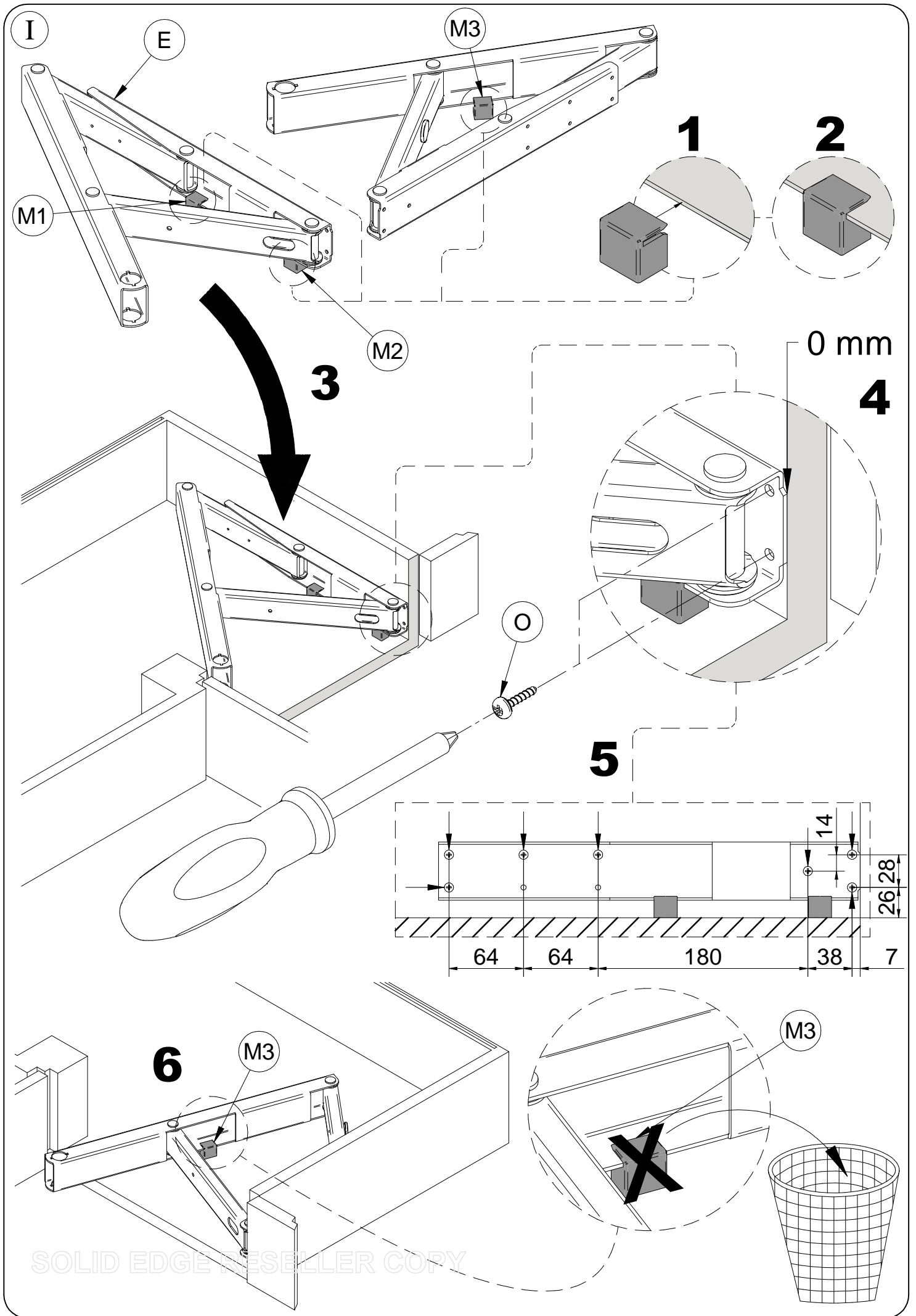
BEFORE STARTING, REFER
TO THE ASSEMBLING
ADVICE IN ANNEX

AVANT DE COMMENCER, SE
REPORTER AUX CONSEILS
DE MONTAGE EN ANNEXE

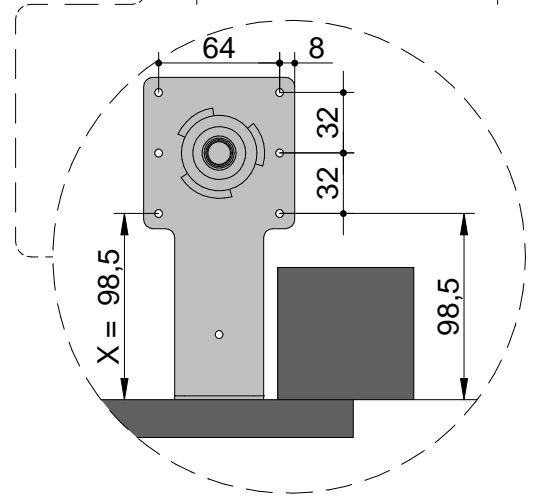
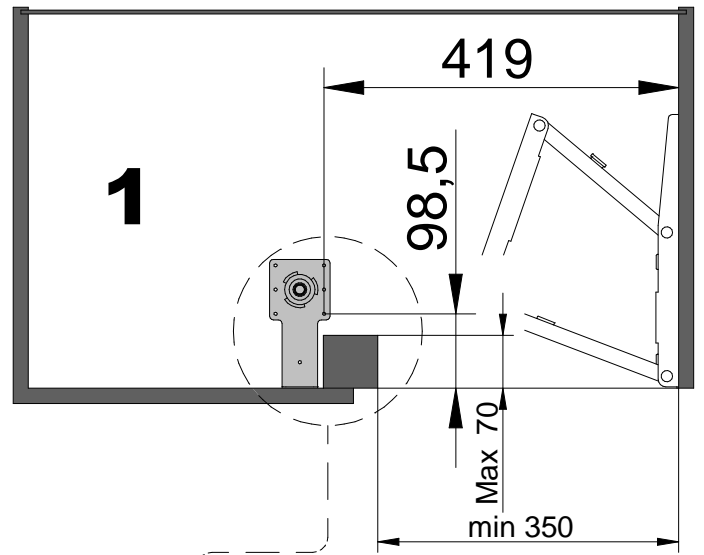
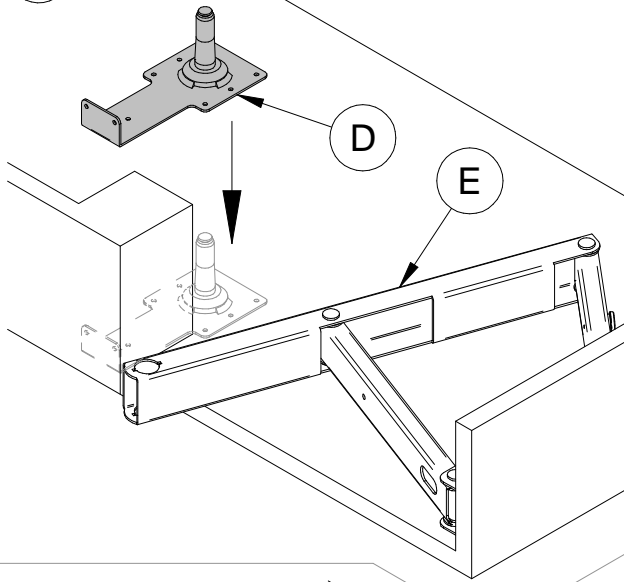
VOR DIE MONTAGE, BITTE
BEILIEGENDE
ANWEISUNGEN FOLGEN

ANTES DE EMPEZAR
CONSULTE LOS CONSEJOS
PARA EL MONTAJE

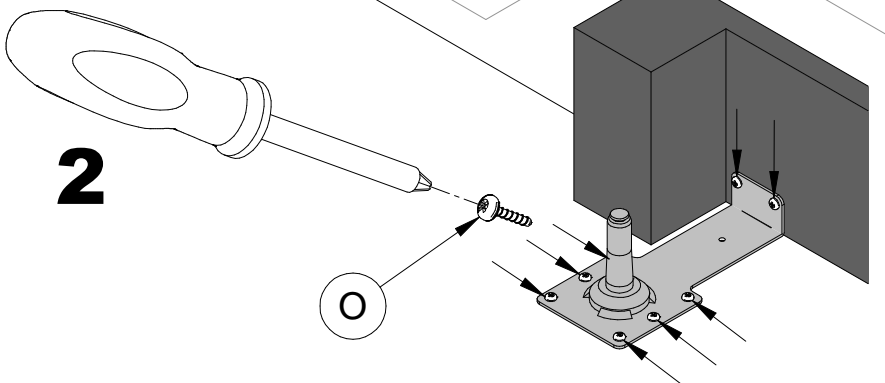




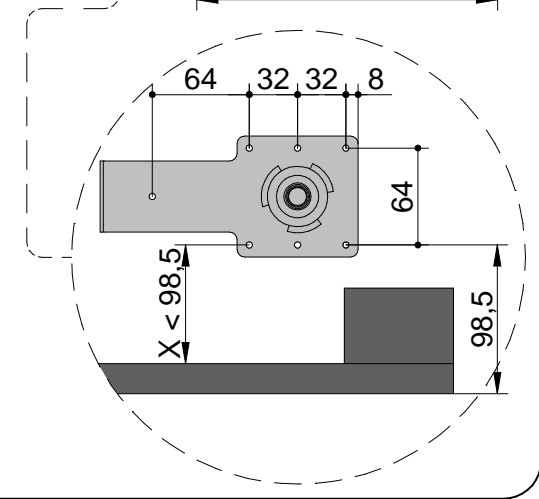
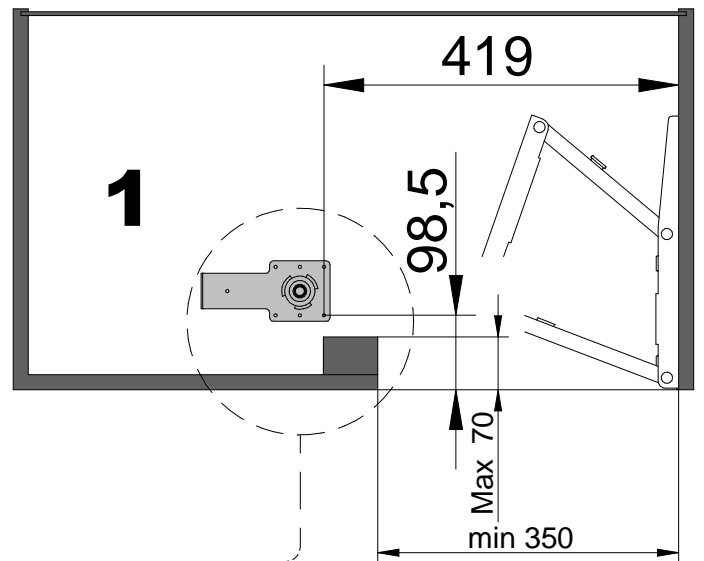
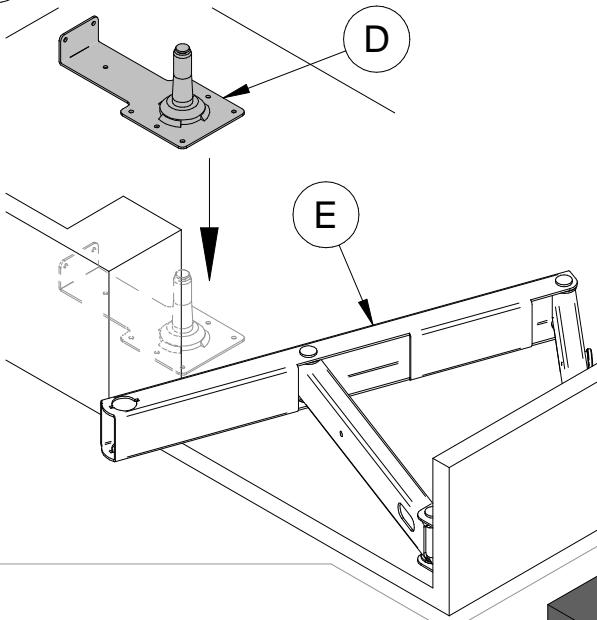
IIa $X = 98,5\text{mm}$



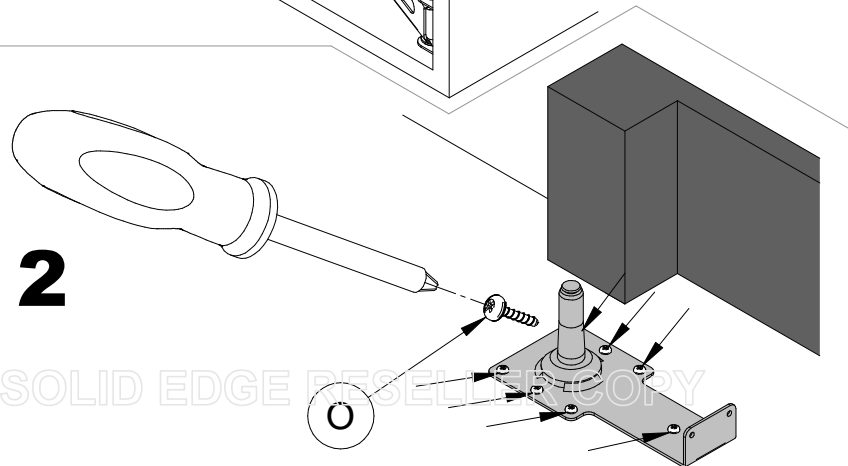
2



IIb $X < 98,5\text{mm}$

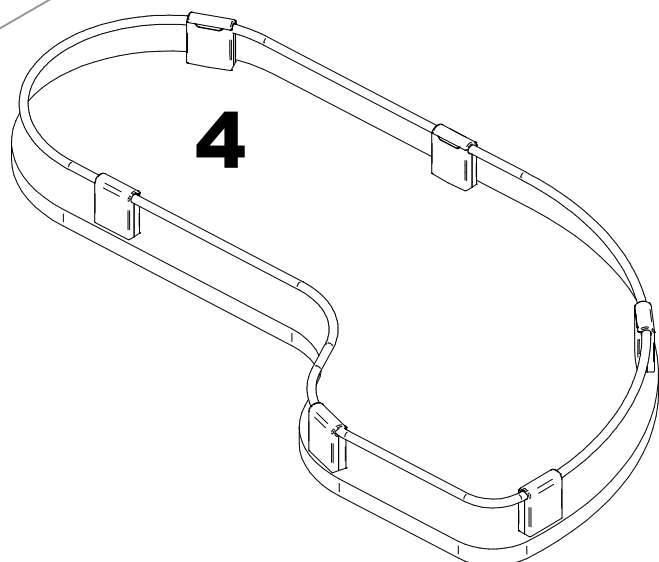
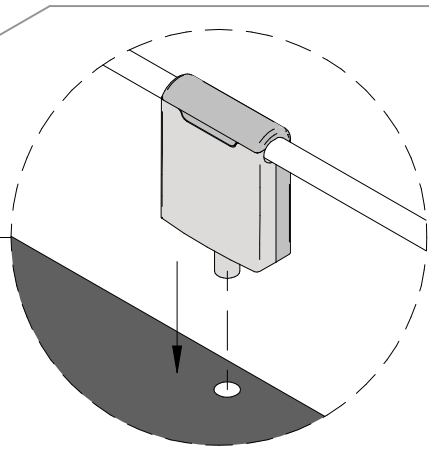
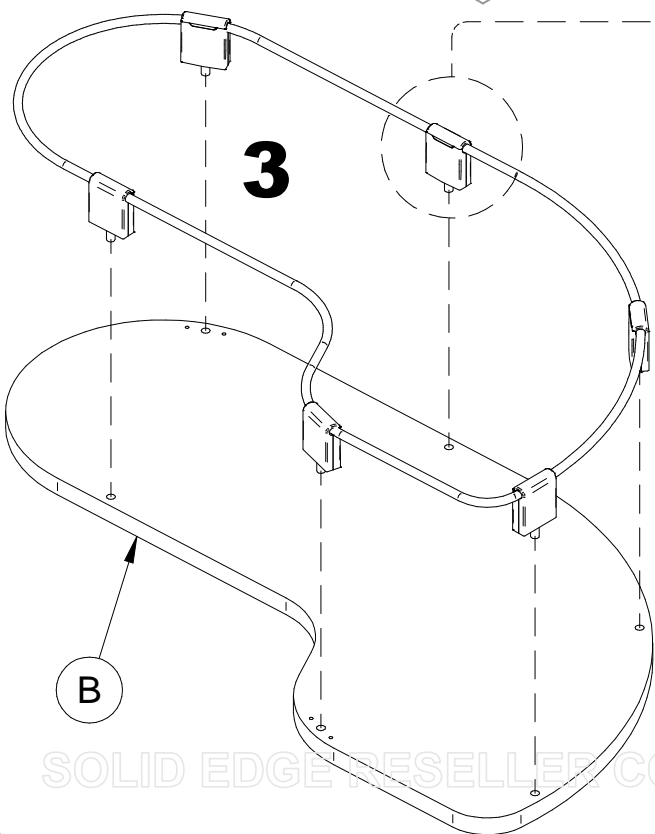
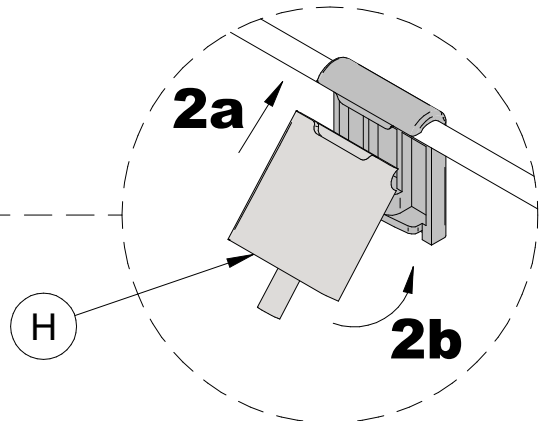
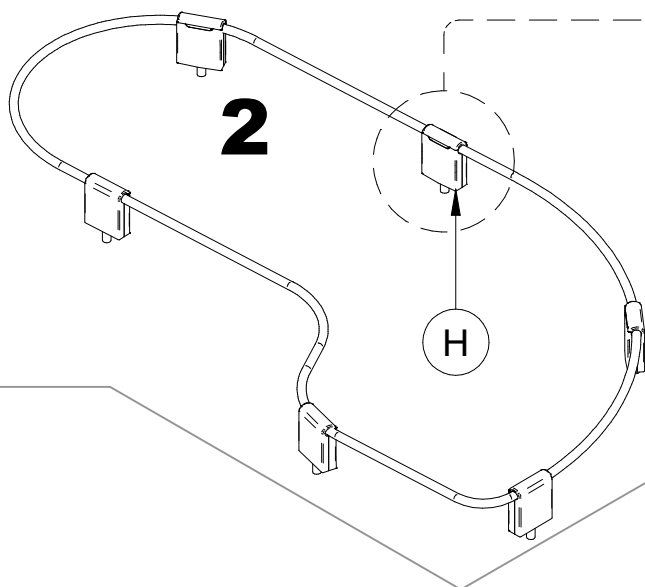
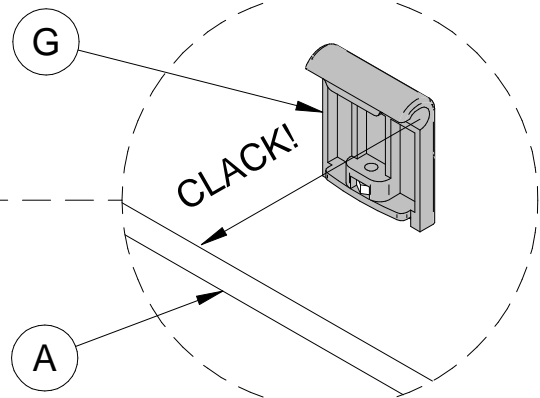
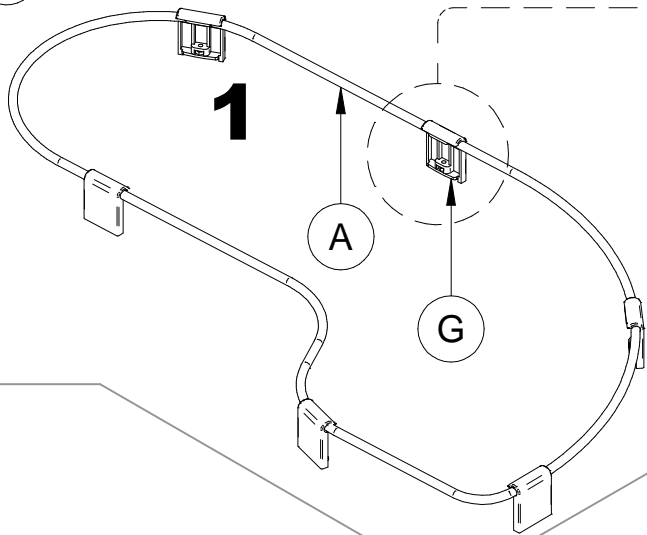


2



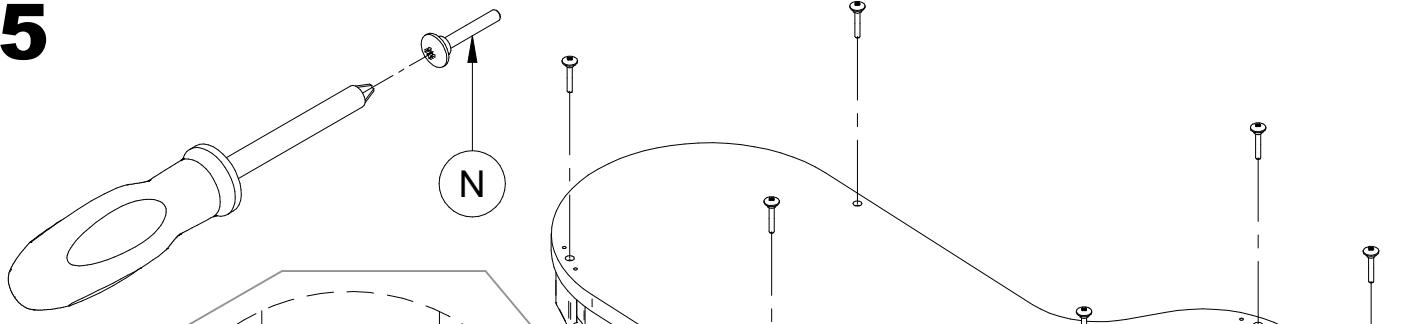
SOLID EDGE RESERVOIR COPY

III

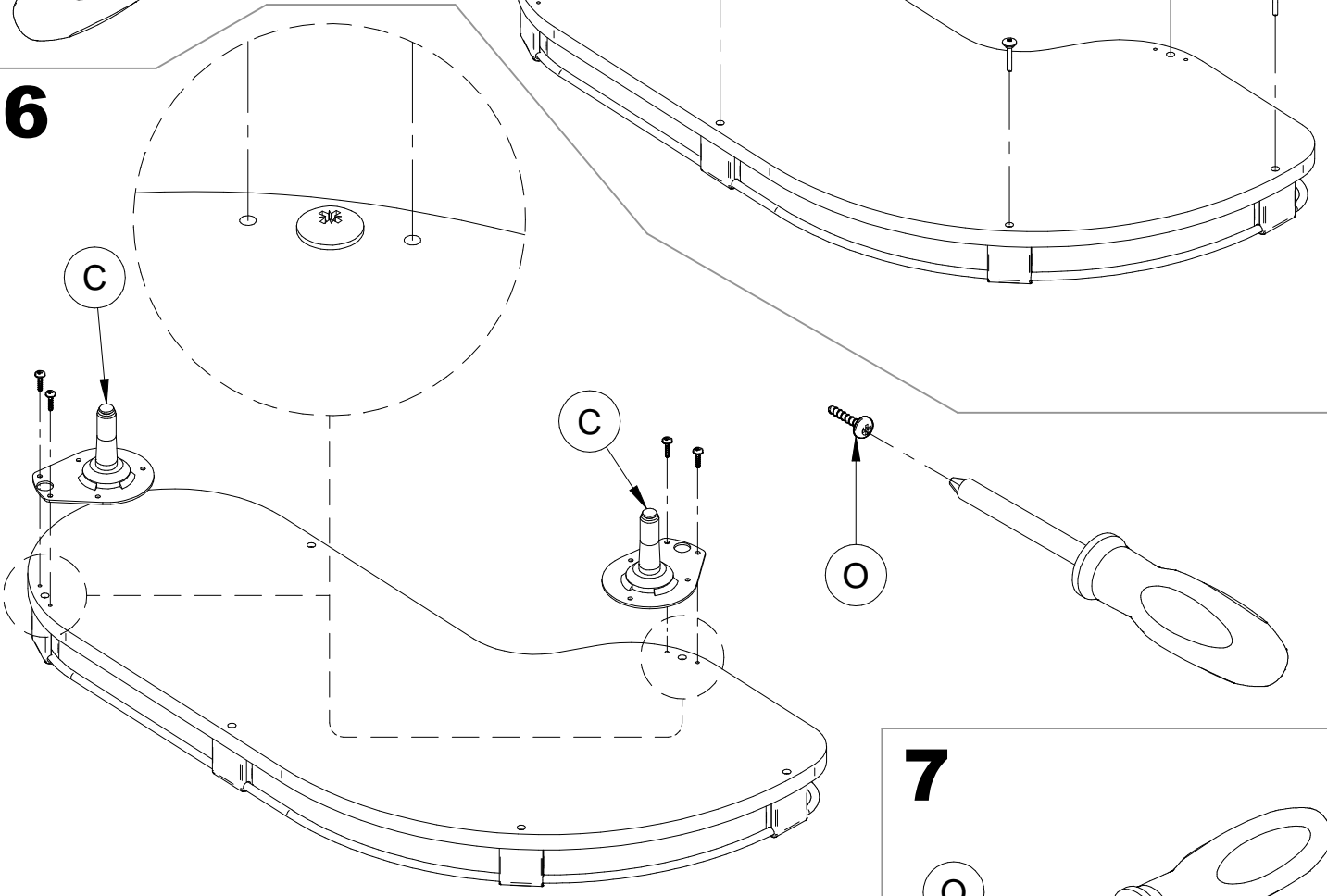


SOLID EDGE RESELLER COPY

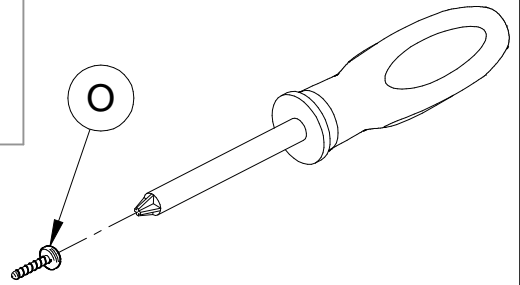
5



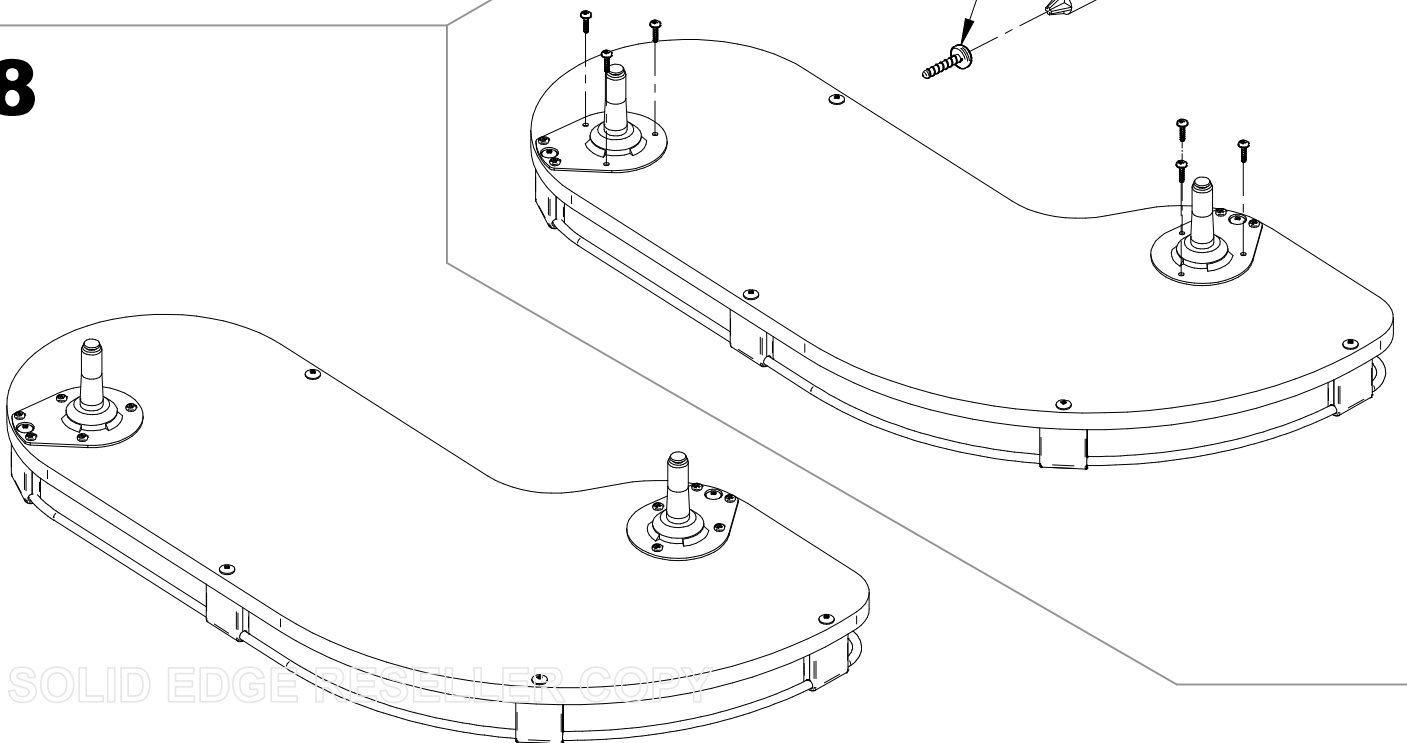
6



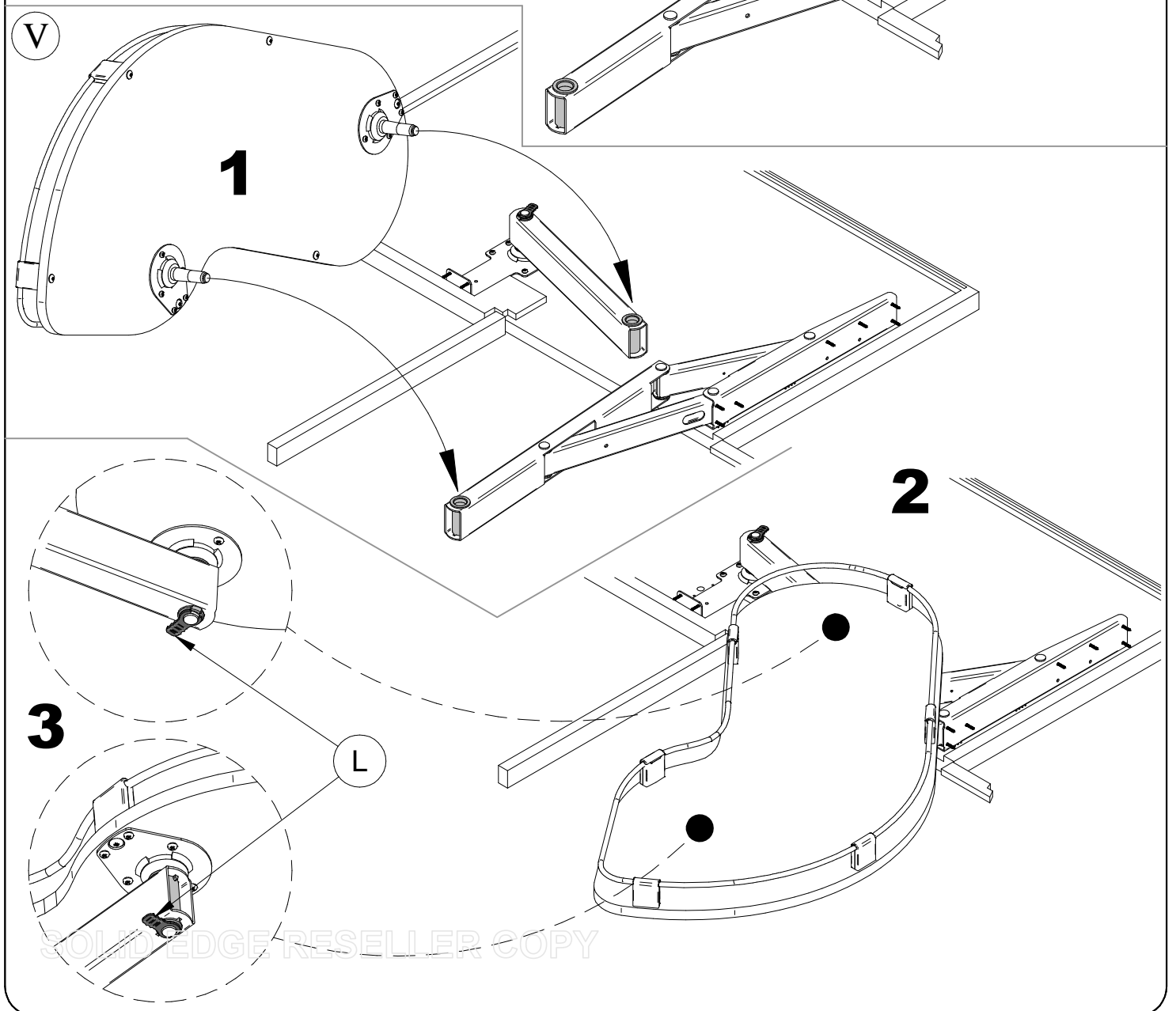
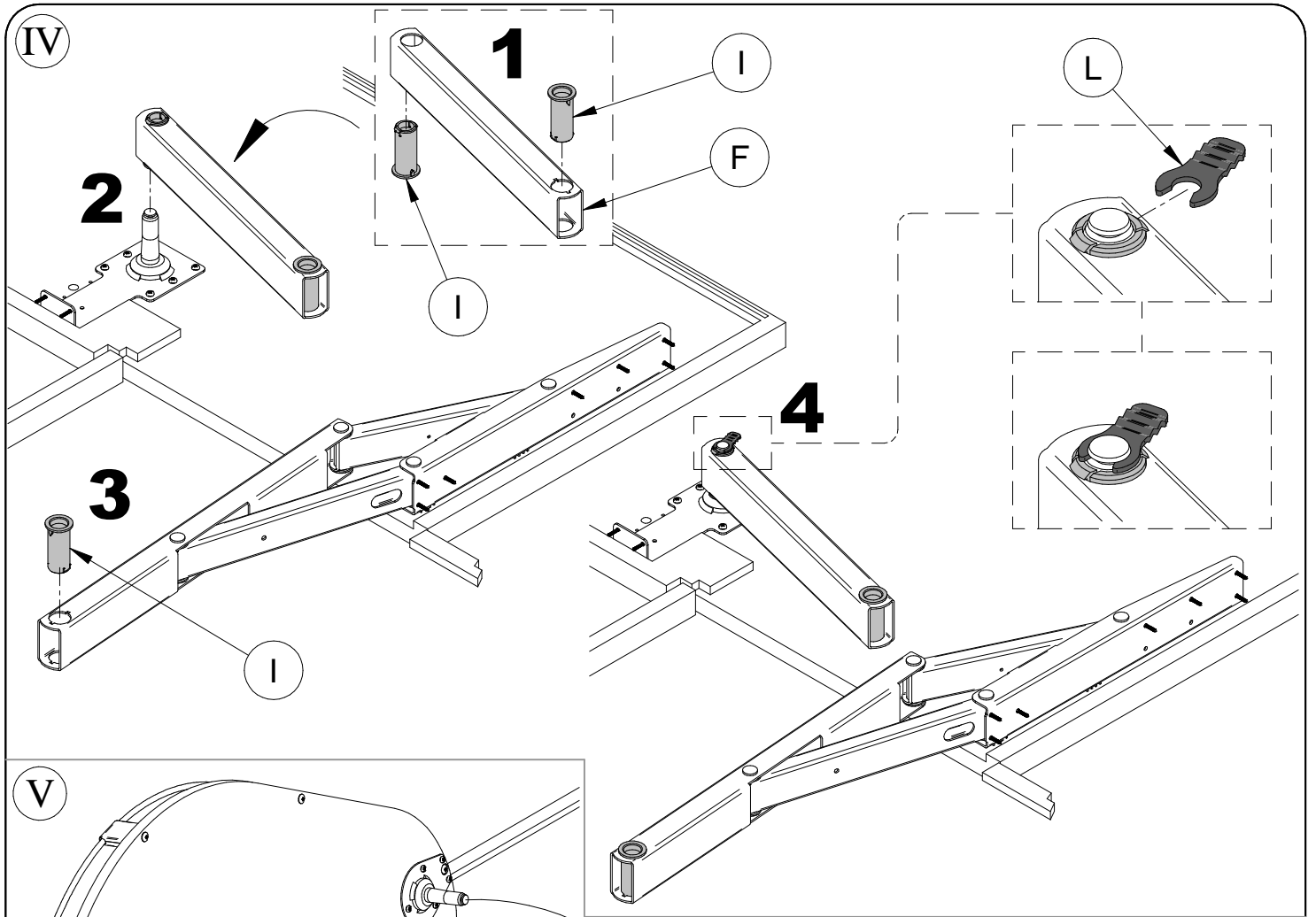
7



8



SOLID EDGE RESSELLER COPY



Istruzioni di montaggio

Assembling instructions

Notice de montage

Montageanleitung

Manual de montaje

Portata massima:

Maximum load:

Charge maxi:

Maximale

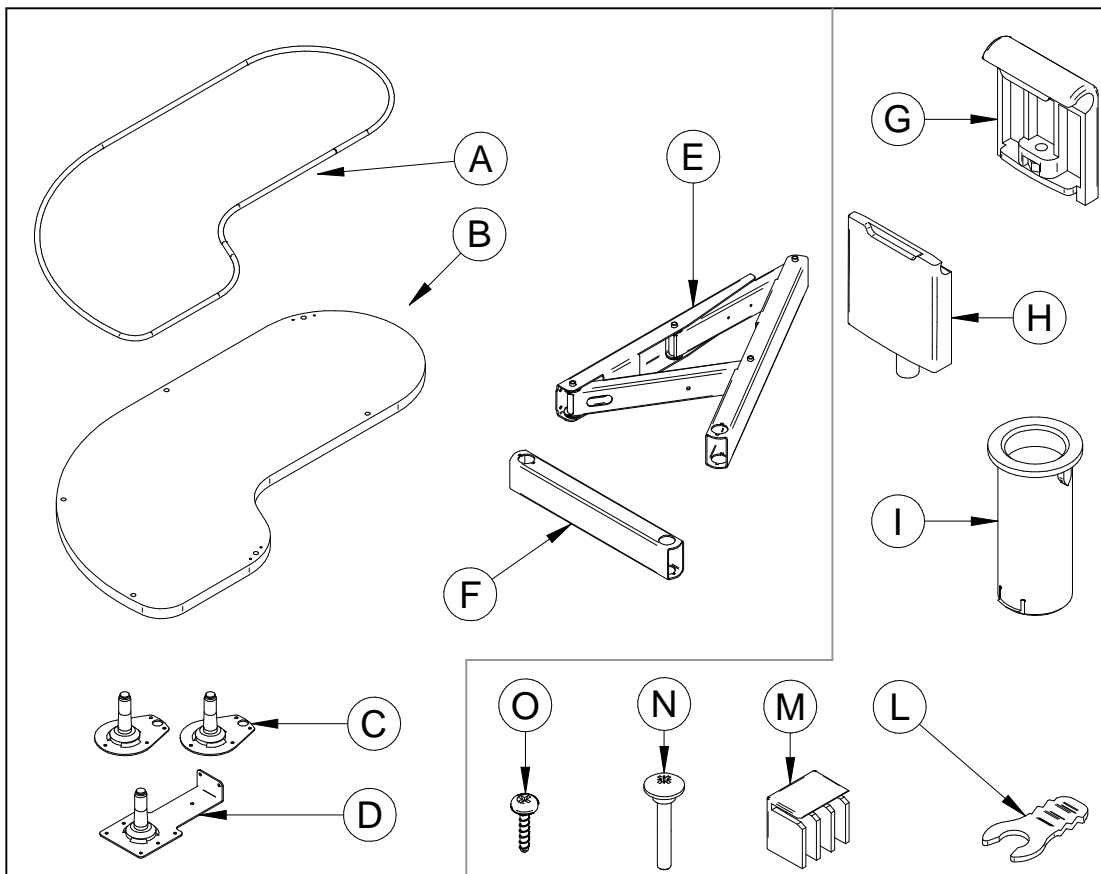
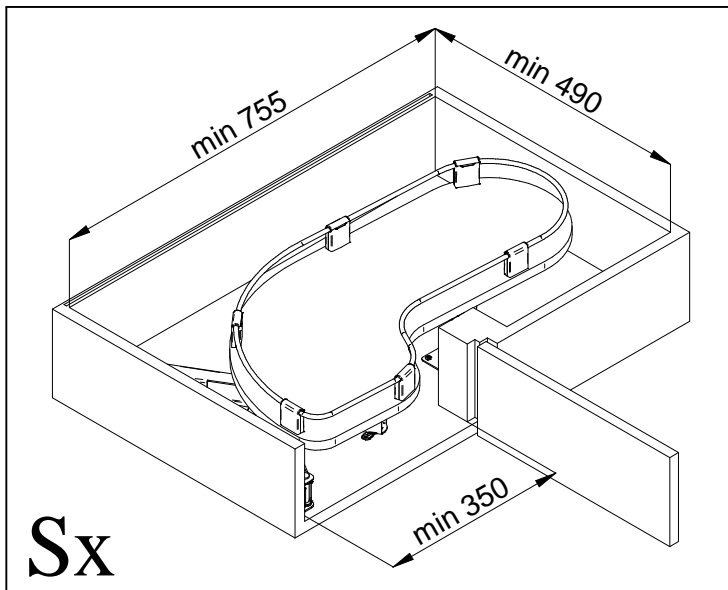
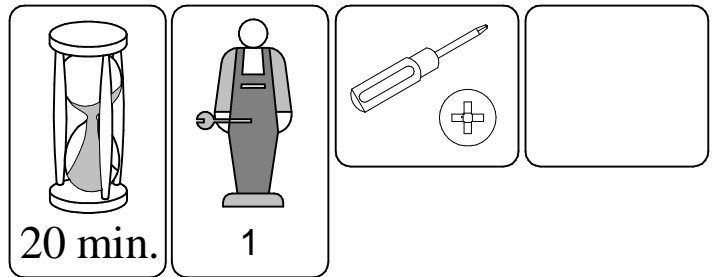
belastbarkeit:

Carga maxima:

25 Kg

Reversibile - Reversible
Rèversible - Reversibel - Reversible

EUK40F1



**PRIMA DI COMINCIARE,
VEDERE I CONSIGLI DI
MONTAGGIO**

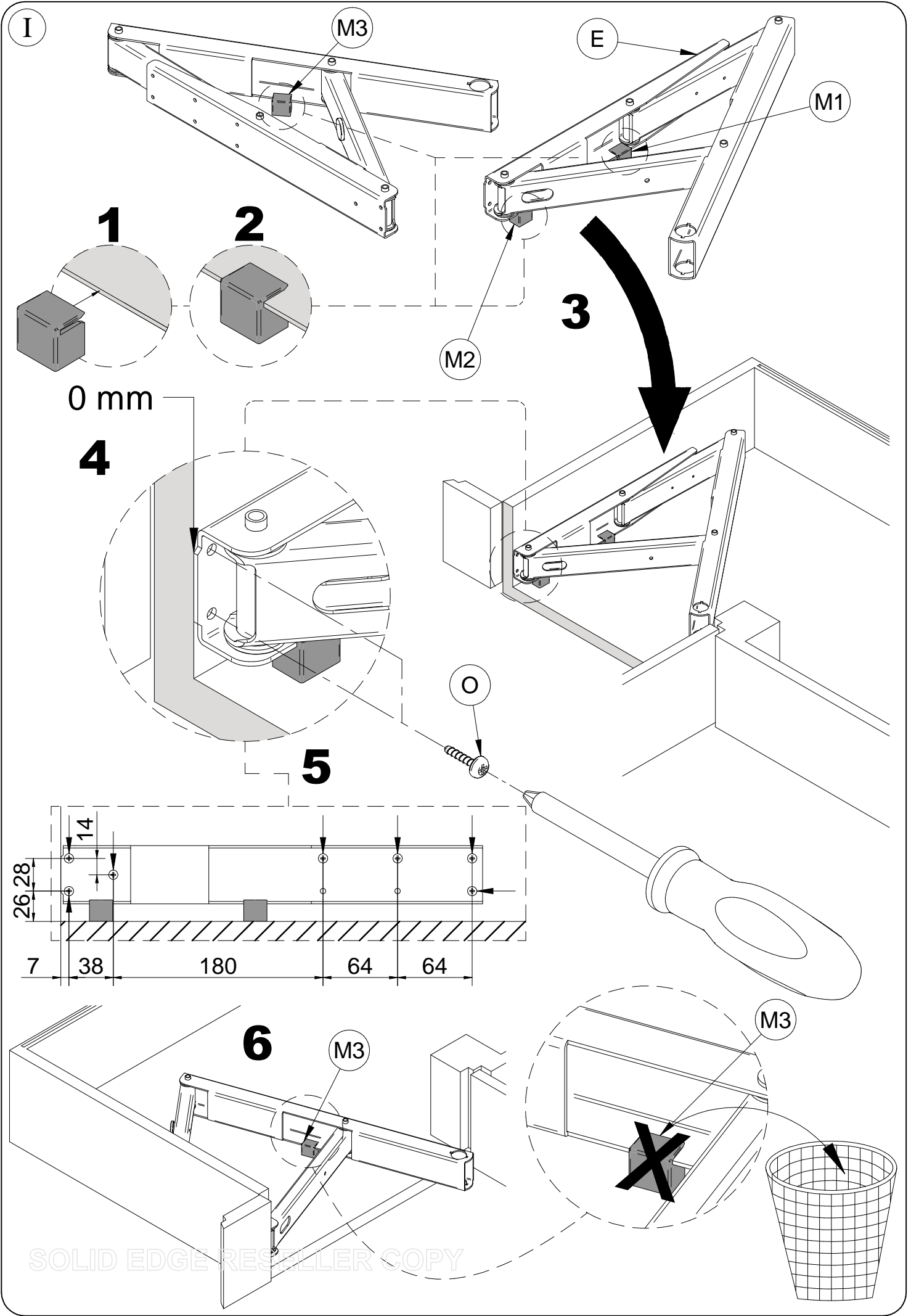
BEFORE STARTING, REFER
TO THE ASSEMBLING
ADVICE IN ANNEX

AVANT DE COMMENCER, SE
REPORTER AUX CONSEILS
DE MONTAGE EN ANNEXE

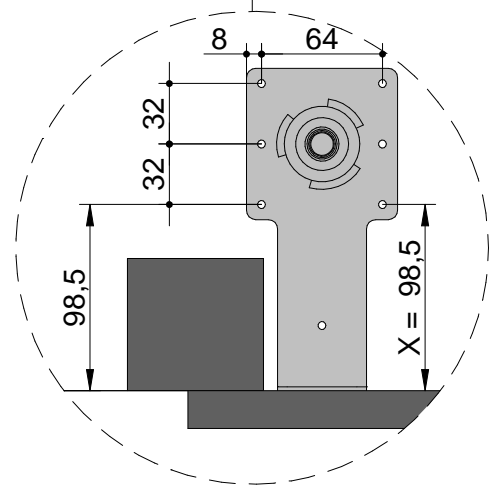
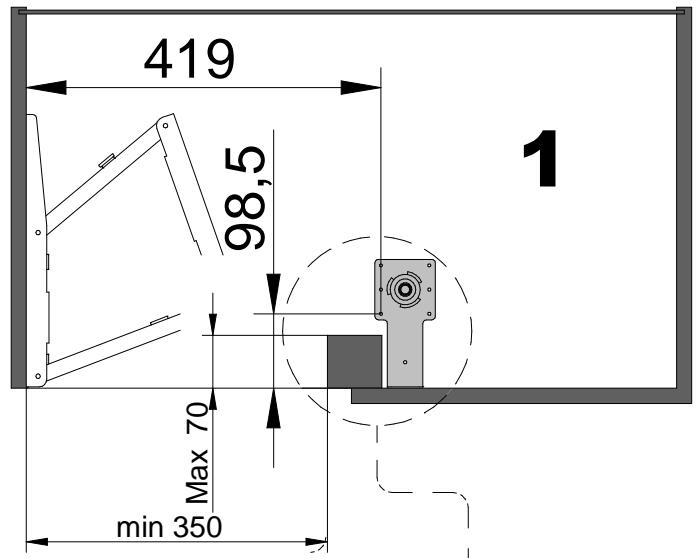
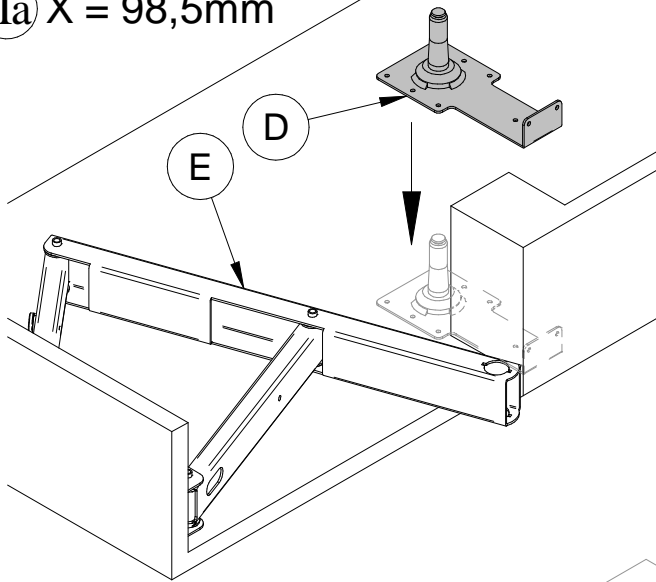
VOR DIE MONTAGE, BITTE
BEILIEGENDE
ANWEISUNGEN FOLGEN

ANTES DE EMPEZAR
CONSULTE LOS CONSEJOS
PARA EL MONTAJE

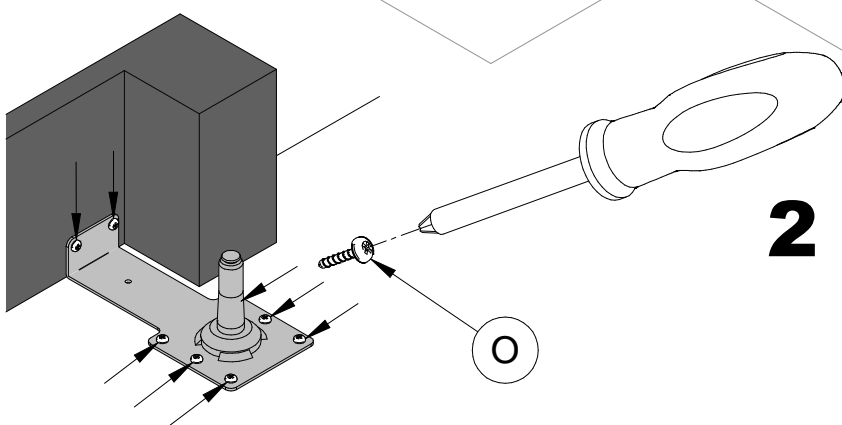
A x 1	B x 1	C x 2	D x 1	E x 1	F x 1	
G x 6	H x 6	I x 3	L x 3	M x 3	N x 6	O x 25



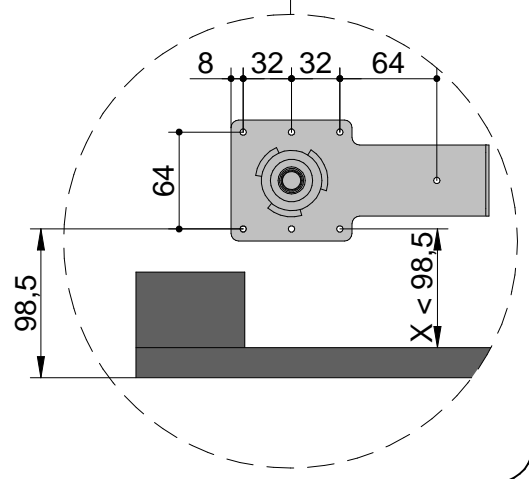
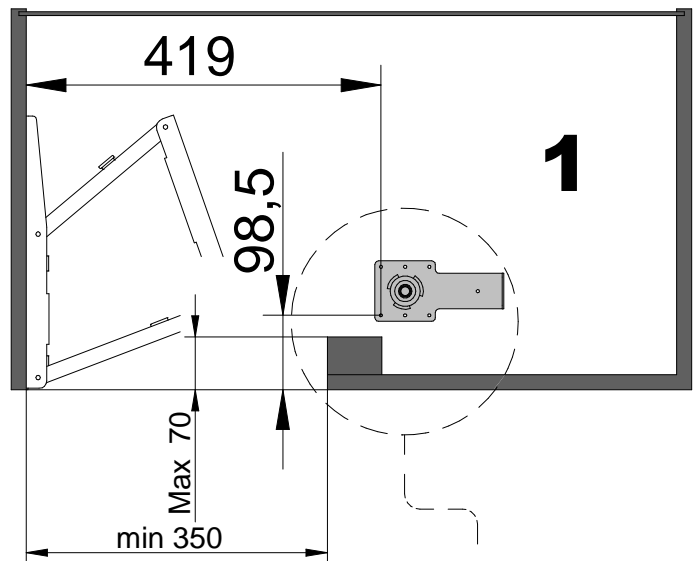
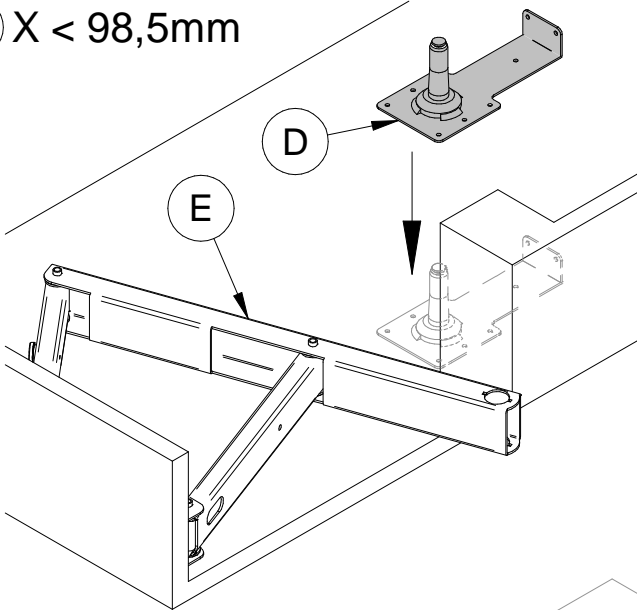
IIa X = 98,5mm



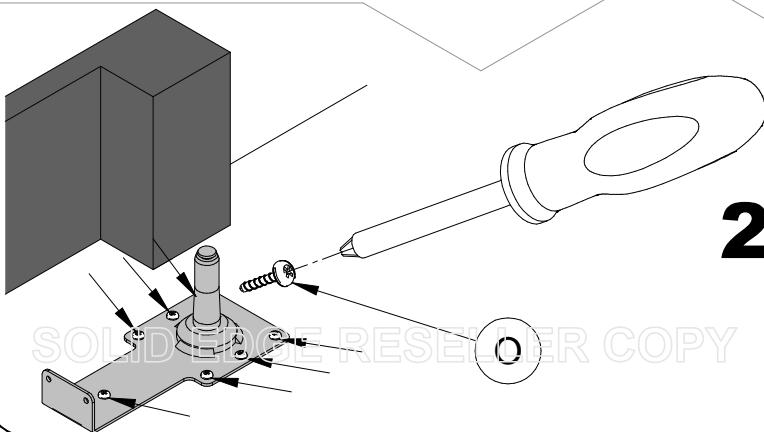
2



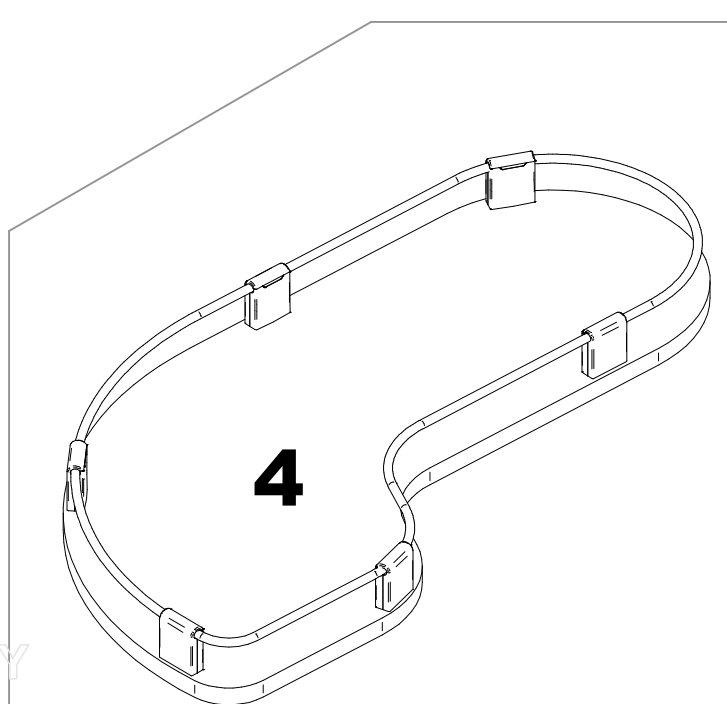
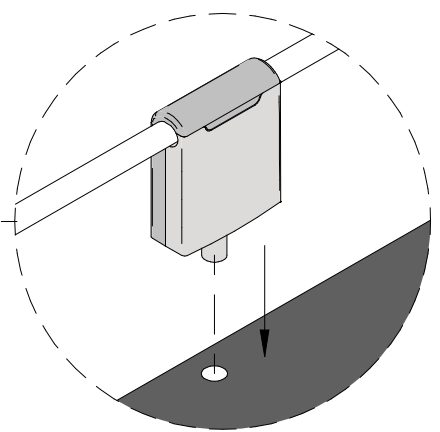
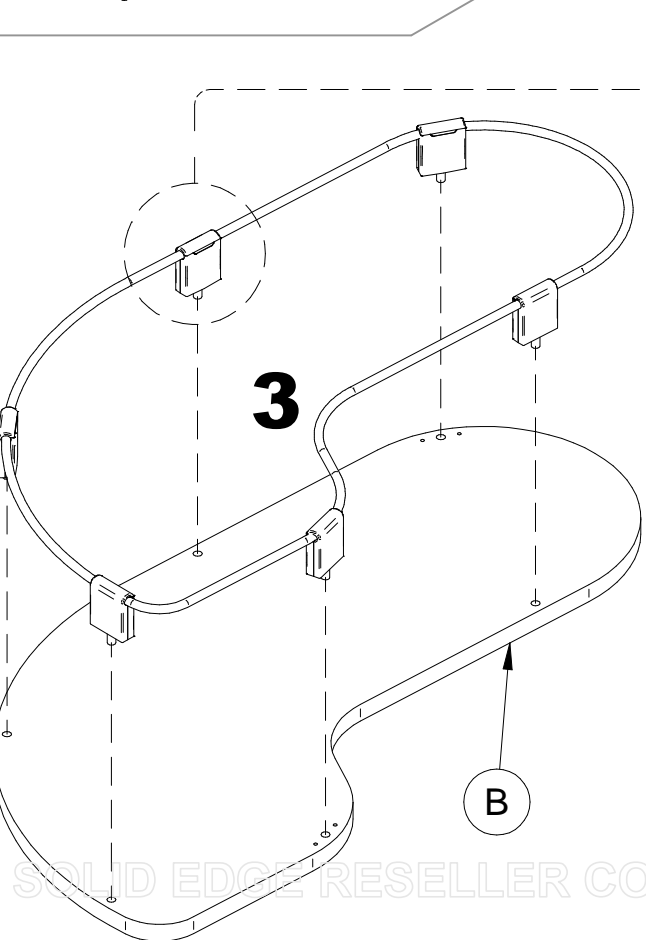
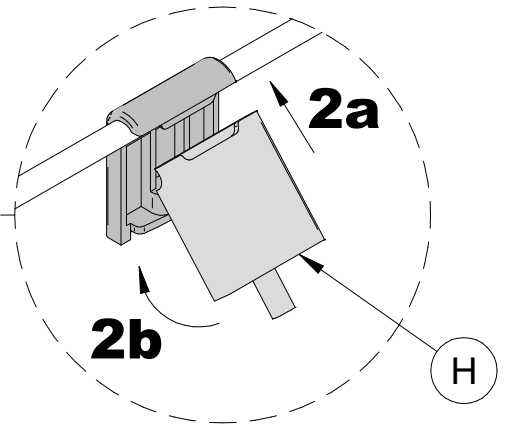
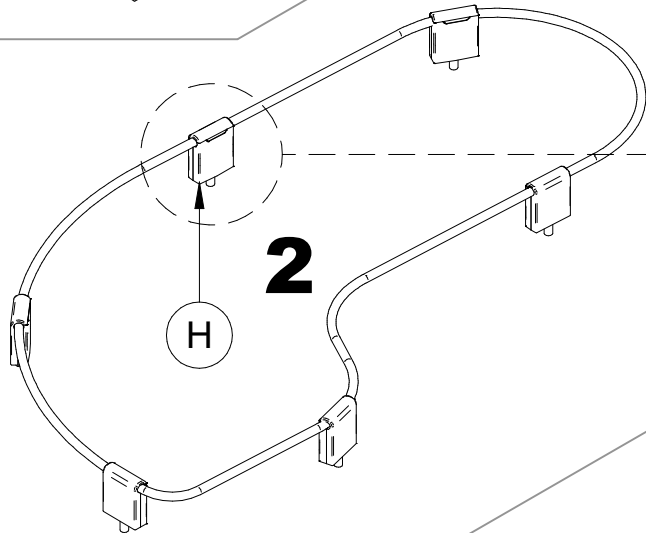
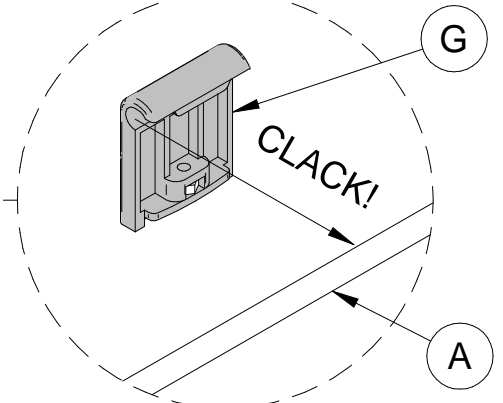
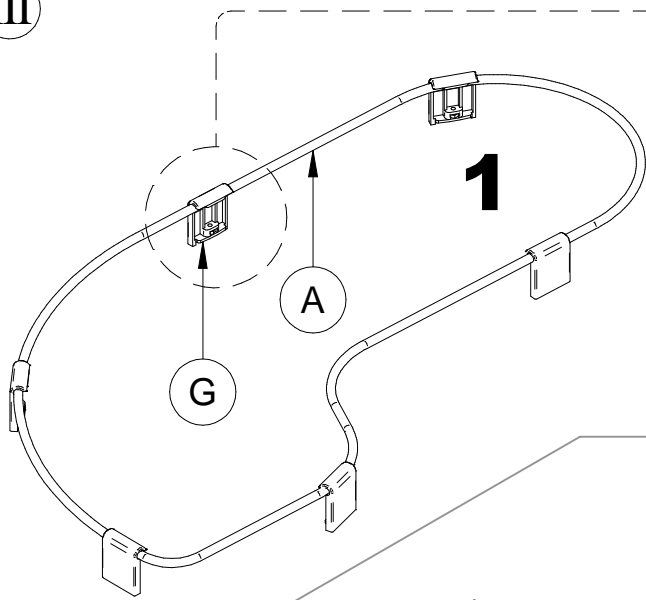
IIb X < 98,5mm



2

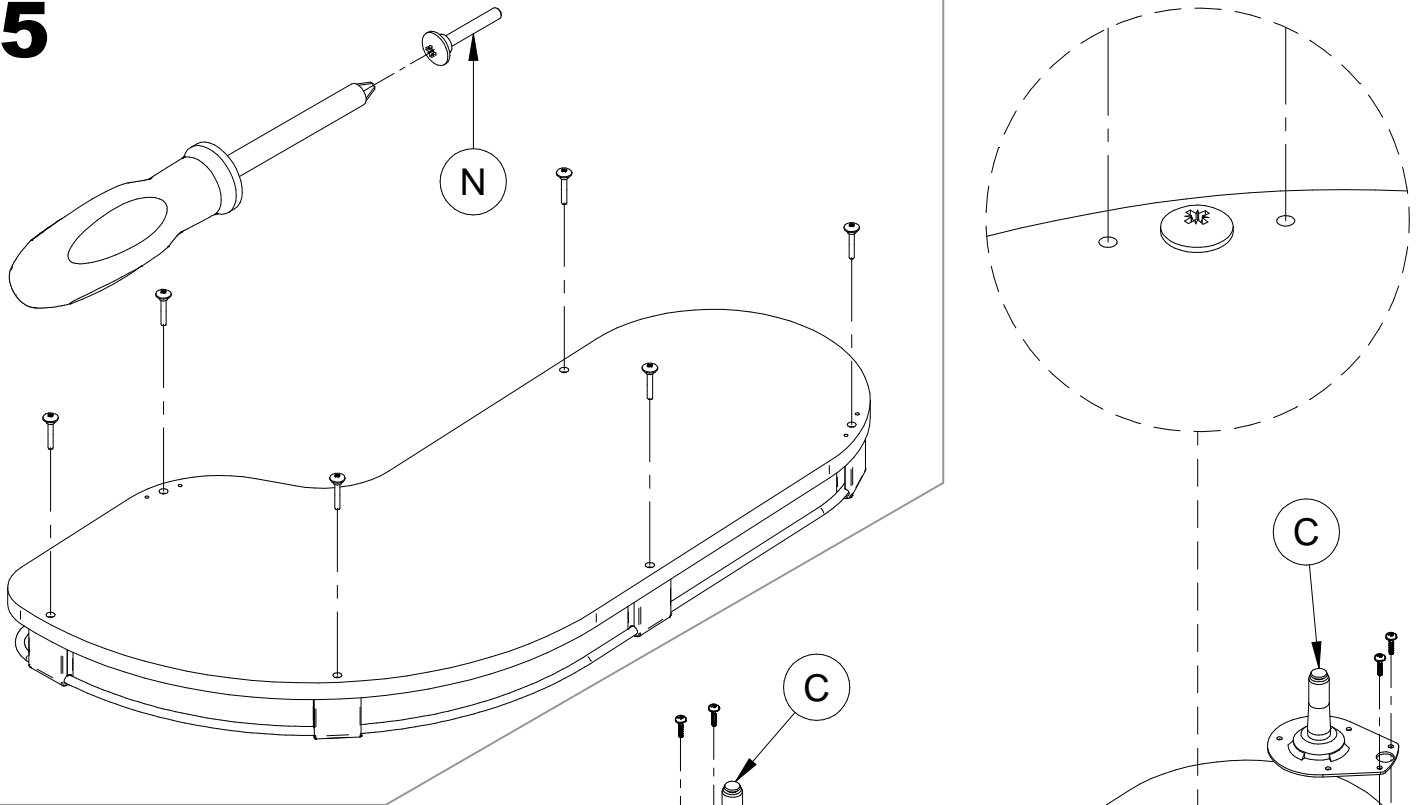


III

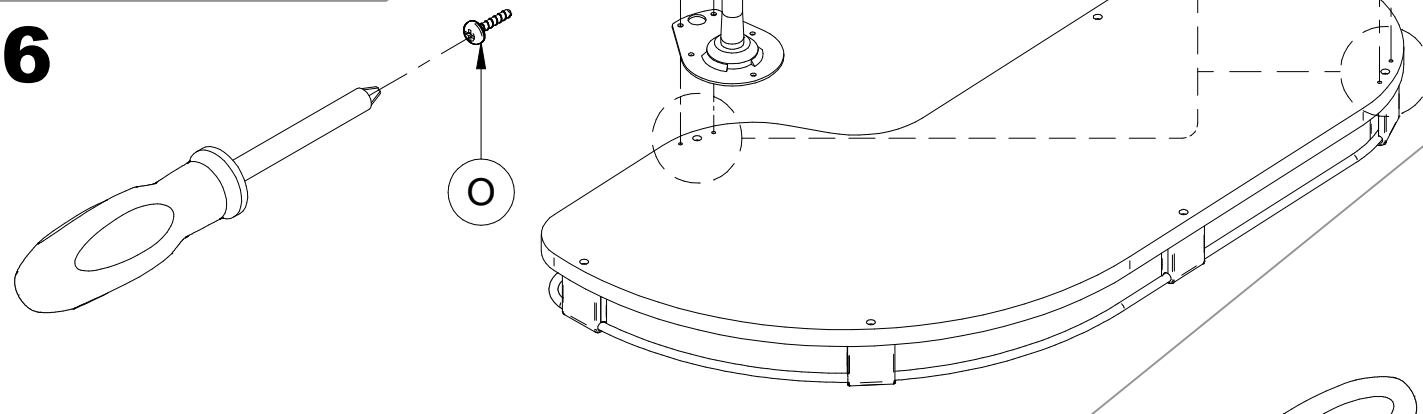


SOLID EDGE RESELLER COPY

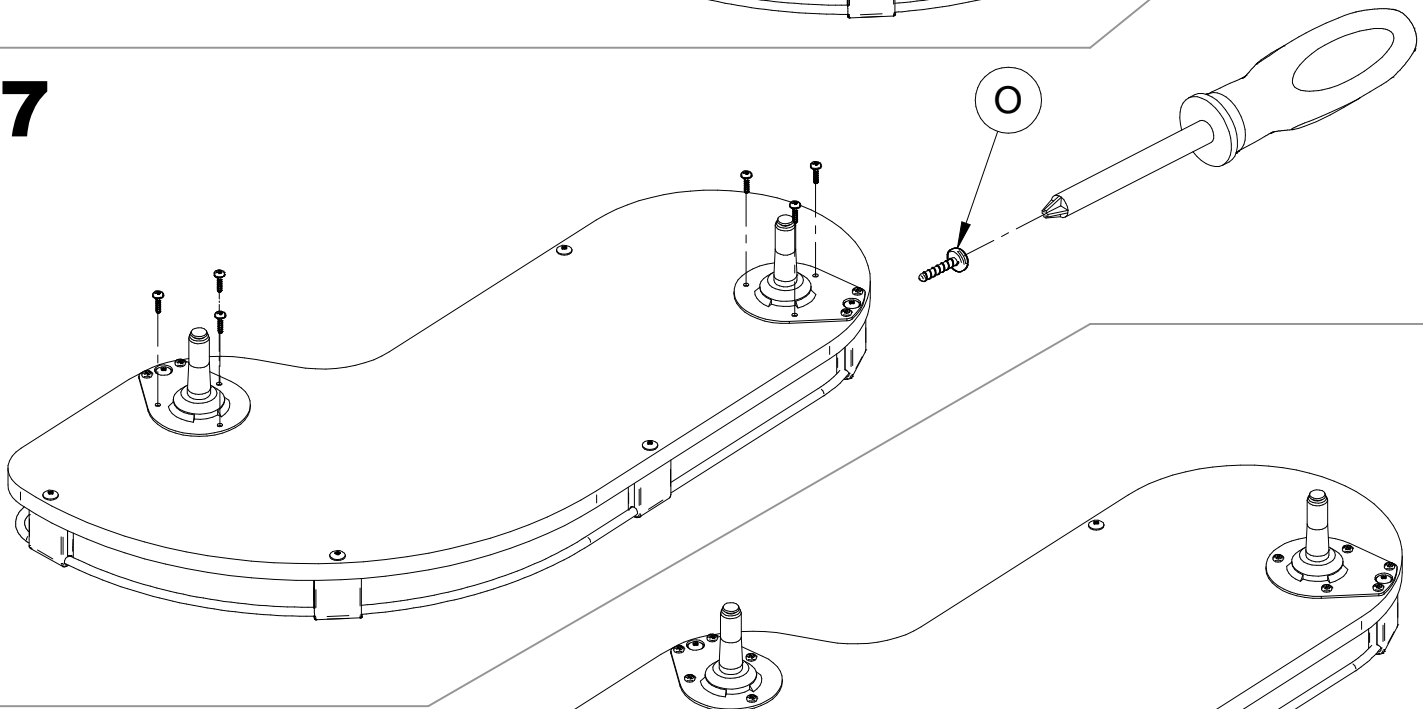
5



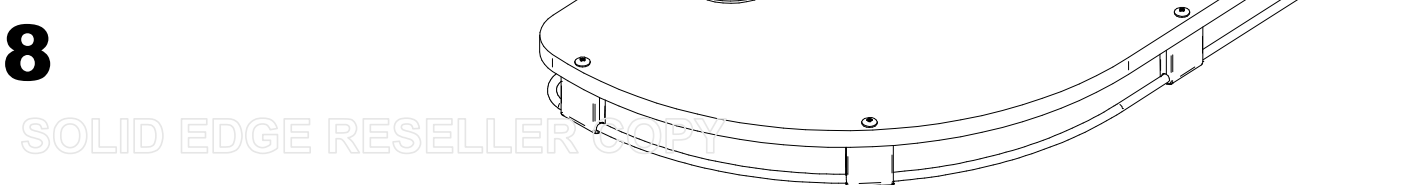
6



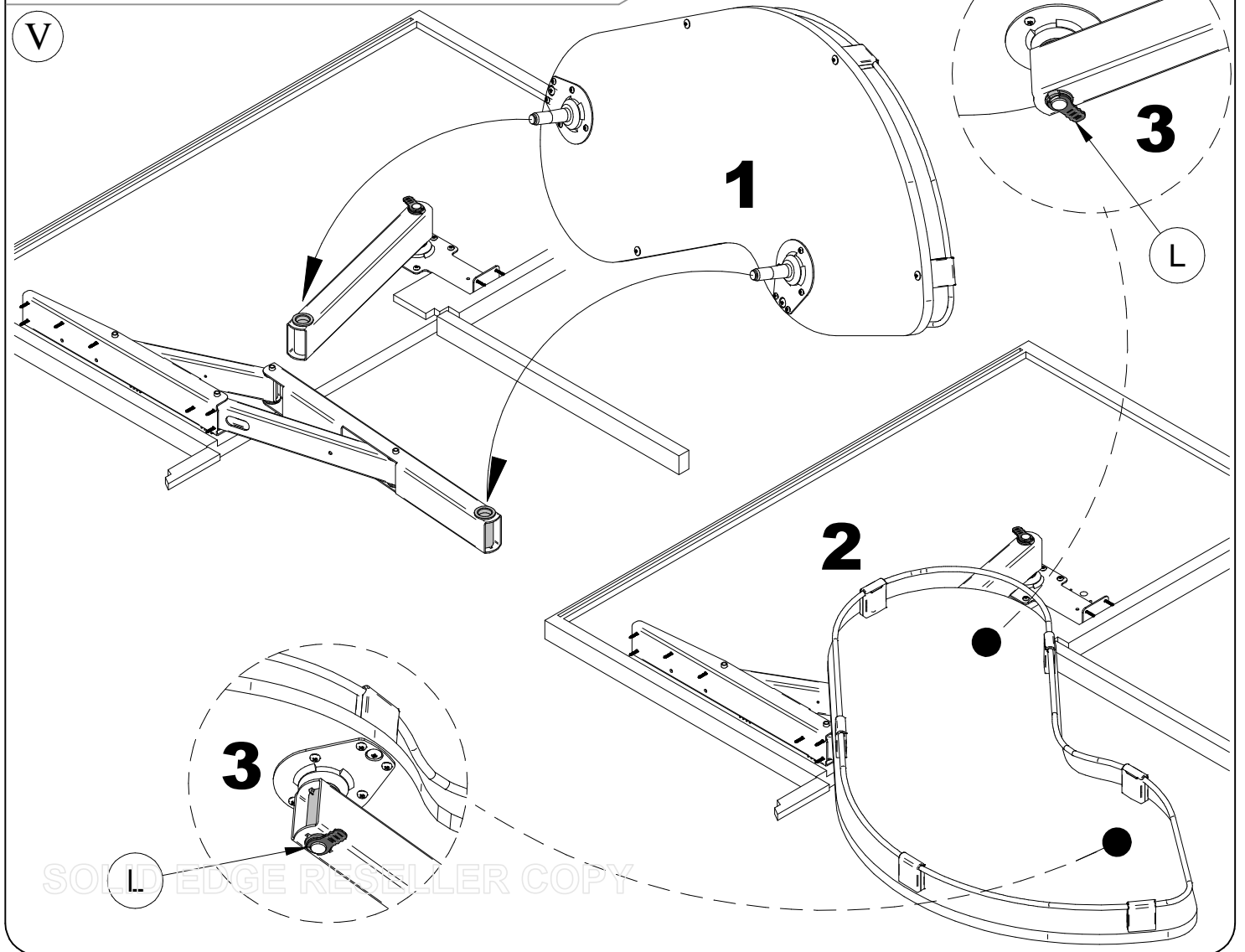
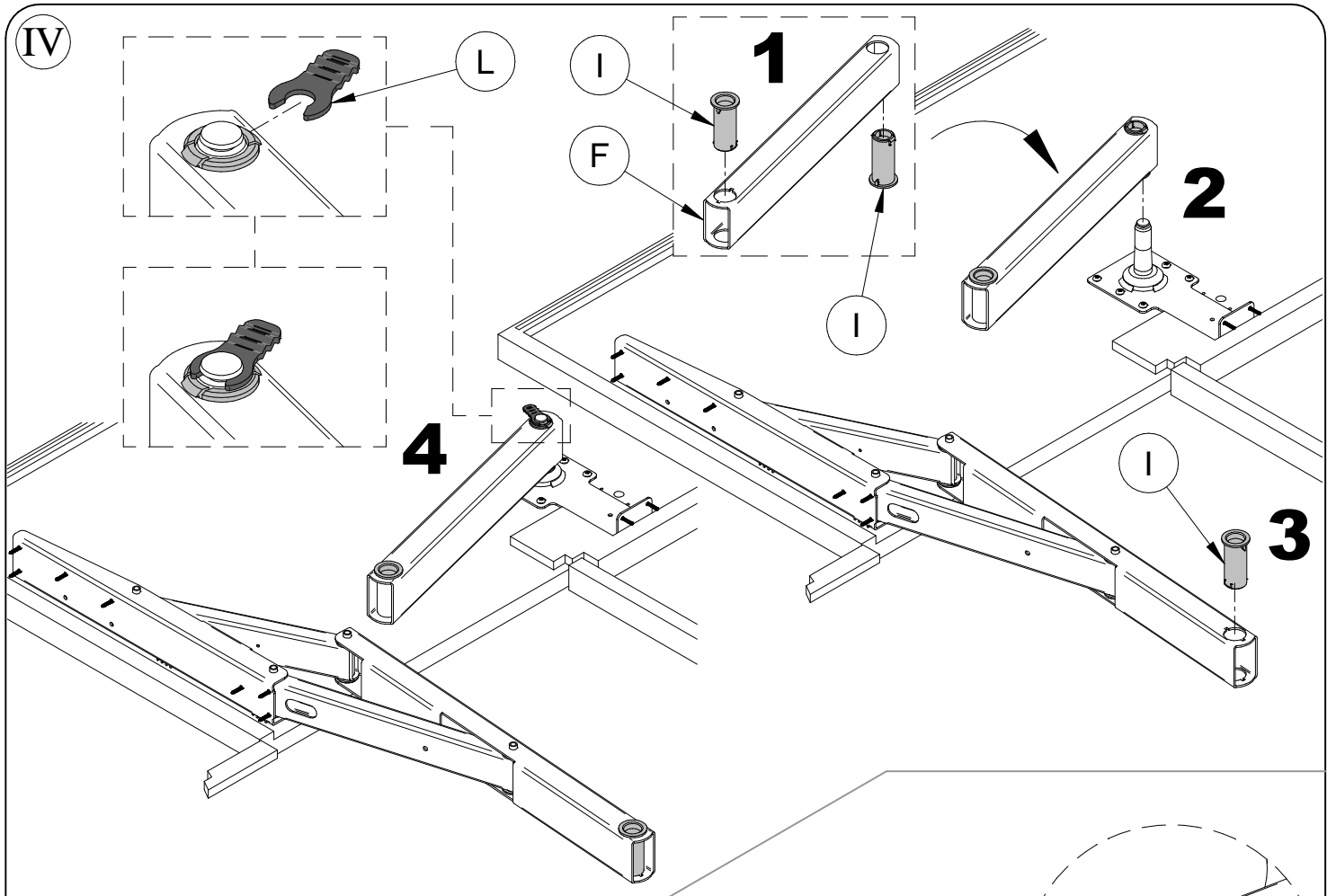
7



8



SOLID EDGE RESELLER COPY



SOLID EDGE RESSELLER COPY