

RYOBI®

RCS1935B
RCS2340B

ORIGINAL INSTRUCTIONS
TRADUCTION DES INSTRUCTIONS ORIGINALES
ÜBERSETZUNG DER ORIGINALANLEITUNG
TRADUCCIÓN DE LAS INSTRUCCIONES ORIGINALES
TRADUZIONE DELLE ISTRUZIONI ORIGINALI
VERTALING VAN DE ORIGINELE INSTRUCTIES
TRADUÇÃO DAS INSTRUÇÕES ORIGINAIS
OVERSÆTTELSE AF DE ORIGINALE INSTRUKTIONER
ÖVERSÄTTNING AV DE URSPRUNGLIGA INSTRUKTIONERNA
ALKUPERÄISTEN OHJEIDEN SUOMENNOS
OVERSETTELSE AV DE ORIGINALE INSTRUKSJONENE
ПЕРЕВОД ОРИГИНАЛЬНЫХ ИНСТРУКЦИЙ
TŁUMACZENIE INSTRUKCJI ORYGINALNEJ
PŘEKLAD ORIGINÁLNÍCH POKYNŮ
AZ EREDETI ÚTMUTATÓ FORDÍTÁSA
TRADUCEREA INSTRUCȚIUNILOR ORIGINALE
TULKOTS NO ORIGINĀLĀS INSTRUKCIJAS
ORIGINALIŲ INSTRUKCIJŲ VERTIMAS
ORIGINALJUHENDI TÖLGE
PRIJEVOD ORIGINALNIH UPUTA
PREVOD ORIGINALNIH NAVODIL
PREKLAD ORIGINÁLNYCH POKYNOV
ПЕРЕВОД ОТ ОРИГИНАЛНИТЕ ИНСТРУКЦИИ
PEREKŁAD ORYGINALNYCH INSTRUKCJI
ORIJINAL TALIMATLARIN ÇEVIRILERI

EN
FR
DE
ES
IT
NL
PT
DA
SV
FI
NO
RU
PL
CS
HU
RO
LV
LT
ET
HR
SL
SK
BG
UK
TR



| | |
|-----------------------------|--|
| Important! | It is essential that you read the instructions in this manual before assembling, maintaining and operating the product. |
| Attention! | Il est essentiel que vous lisiez les instructions contenues dans ce manuel avant d'assembler, d'entretenir et d'utiliser le produit. |
| Achtung! | Es ist wichtig, dass Sie vor Zusammenbau, Wartung und Benutzung des Produktes die Anweisungen in dieser Anleitung lesen. |
| ¡Atención! | Resulta fundamental que lea este manual de instrucciones antes de realizar el montaje, el mantenimiento y de utilizar este producto |
| Attenzione! | E' importante leggere le istruzioni contenute nel presente manuale prima di montare il prodotto, svolgere le operazioni di manutenzione sullo stesso e metterlo in funzione. |
| Let op! | Het is van essentieel belang dat u de instructies in deze gebruiksaanwijzing leest voor u het product monteert, onderhoudt en gebruikt. |
| Atenção! | É fundamental que leia as instruções deste manual antes da montagem, manutenção e operação do aparelho. |
| OBS! | Det er vigtigt, at man læser instrukserne i denne brugsanvisning, inden man samler, vedligeholder og betjener produktet. |
| Observera! | Det är viktigt att du läser instruktionerna i manualen före montering, användning och underhåll av produkten. |
| Huomio! | On tärkeää, että luet tämän käsikirjan ohjeet ennen tuotteen kokoamista, huoltoa ja käyttöä. |
| Advarsel! | Det er viktig at du leser instruksjonene i denne manualen før sammensetning, vedlikehold og bruk av produktet |
| Внимание! | Необходимо прочитать инструкции в данном руководстве перед сборкой, обслуживанием и эксплуатацией этого изделия. |
| Uwaga! | Koniecznle należy przeczytać instrukcje zawarte w tym podręczniku przed montażem, obsługą oraz konserwacją produktu. |
| Důležité upozornění! | Neinstalujte, neprovádějte údržbu ani nepoužívejte tento výrobek dříve, než si přečtete pokyny uvedené v tomto návodu. |
| Figyelem! | Fontos, hogy a termék összeszerelése, karbantartása és használata előtt elolvassa a kézikönyvben található utasításokat. |
| Atenție! | Este esențial să citiți instrucțiunile din acest manual înainte de asamblare, efectuarea întreinerii și operarea produsului. |
| Uzmanību! | Ir svarīgi izlasīt šīs rokasgrāmatas instrukcijas pirms uzstādīšanas, apkopes un preces darbināšanas. |
| Dėmesio! | Prieš surenkant, prižiūrint ir naudojant gaminį, būtina perskaityti šiame vadove pateiktus nurodymus. |
| Tähtis! | Enne masina kokkupanekut, hooldamist ja kasutama hakkamist tuleb käesolevas juhendis esitatud juhised kindlasti läbi lugeda. |
| Upozorenje! | Vrlo je važno da ste prije sklapanja, održavanja i rada s ovim proizvodom pročitali upute u ovom priručniku. |
| Pomembno! | Pomembno je da pred montažo vzdrževanjem in uporabo tega izdelka preberete navodila v tem priročniku. |
| Upozornenie! | Je dôležité, aby ste si pred montážou, údržbou a obsluhou produktu prečítali pokyny v tomto návode. |
| Важно! | Изключително важно е да прочетете инструкциите в настоящото ръководство, преди да преминете към сглобяване, поддръжка или работа с продукта. |
| Важливо! | Дуже важливо, щоб ви прочитали інструкції в цьому керівництві перед складанням, обслуговуванням та експлуатацією цієї машини. |
| Önemli! | Ürünü monte etmeden, kullanmadan ve bakimini yapmadan önce bu kılavuzdaki talimatları okumanız önemlidir. |

Subject to technical modification | Sous réserve de modifications techniques | Technische Änderungen vorbehalten | Bajo reserva de modificaciones técnicas | Con riserva di eventuali modifiche tecniche | Technische wijzigingen voorbehouden | Com reserva de modificações técnicas | Med forbehold for tekniske ændringer | Med förbehåll för tekniska ändringar | Tekniset muutokset varataan | Med forbehold om tekniske ændringer | могут быть внесены технические изменения | Z zastrzeżeniem modyfikacji technicznych | Změny technických údajů vyhrazeny | A műszaki módosítás jogát fenntartjuk | Sub rezerva modifițiilor tehnice | Paturam tiesības mainīt tehniskos raksturlielumus | Pasiliekan teisę daryti techninius pakeitimus | Tehnilised muudatused võimalikud | Podloženo tehničkim promjenama | Tehnične spremembe dopuščene | Právo na technické zmeny je vyhradené | Подлежи на технически модификации | Є об'єктом для технічних змін | Teknik değişikliğe tabidir.

Safety, performance, and dependability have been given top priority in the design of your electric chainsaw.

INTENDED USE

The electric chainsaw is only intended for use outdoors. For safety reasons, the product must be adequately controlled by using two-handed operation at all times.

The product is designed for cutting branches, trunks, logs, and beams of a diameter determined by the cutting length of the guide bar. It is only designed to cut wood. It is only to be used in domestic application by adults who have received adequate training on the hazards and preventative measures/actions to be taken while using the product.

The product is not to be used by children or by persons not wearing adequate personal protective equipment and clothing. It is also not to be used for professional tree services.

Do not use the product for any other purpose.

⚠ WARNING

When using the product, the safety rules must be followed. For your own safety and that of bystanders, you must read and fully understand these instructions before operating the product. You should attend a professionally organised course on the use and maintenance of chainsaws, preventative actions, and first aid. Please keep these instructions safe for later use.

⚠ WARNING

Chainsaws are potentially dangerous tools. Accidents involving the use of chainsaws often result in loss of limbs or death. It is not just the chainsaw that is the hazard. Falling branches, toppling trees, rolling logs can all kill. Diseased or rotting timber poses additional hazards. You should assess your capability of completing the task safely. If there is any doubt, leave it to a professional tree surgeon.

GENERAL POWER TOOL SAFETY WARNINGS

⚠ WARNING

Read all safety warnings and all instructions. Failure to follow the warnings and instructions may result in electric shock, fire and/or serious injury.

Save all warnings and instructions for future reference.

The term "power tool" in the warnings refers to your mains-operated (corded) power tool or battery-operated (cordless) power tool.

WORK AREA SAFETY

- **Keep work area clean and well lit.** Cluttered or dark areas invite accidents.
- **Do not operate power tools in explosive atmospheres, such as in the presence of flammable**

liquids, gases or dust. Power tools create sparks which may ignite the dust or fumes.

- **Keep children and bystanders away while operating a power tool.** Distractions can cause you to lose control.

ELECTRICAL SAFETY

- **Power tool plugs must match the outlet. Never modify the plug in any way. Do not use any adapter plugs with earthed (grounded) power tools.** Unmodified plugs and matching outlets will reduce risk of electric shock.
- **Avoid body contact with earthed or grounded surfaces, such as pipes, radiators, ranges and refrigerators.** There is an increased risk of electric shock if your body is earthed or grounded.
- **Do not expose power tools to rain or wet conditions.** Water entering a power tool will increase the risk of electric shock.
- **Do not abuse the cord. Never use the cord for carrying, pulling or unplugging the power tool. Keep cord away from heat, oil, sharp edges or moving parts.** Damaged or entangled cords increase the risk of electric shock.
- **When operating a power tool outdoors, use an extension cord suitable for outdoor use.** Use of a cord suitable for outdoor use reduces the risk of electric shock.
- **If operating a power tool in a damp location is unavoidable, use a residual current device (RCD) protected supply.** Use of an RCD reduces the risk of electric shock.

PERSONAL SAFETY

- **Stay alert, watch what you are doing and use common sense when operating a power tool. Do not use a power tool while you are tired or under the influence of drugs, alcohol or medication.** A moment of inattention while operating power tools may result in serious personal injury.
- **Use personal protective equipment. Always wear eye protection.** Protective equipment such as dust mask, non-skid safety shoes, hard hat or hearing protection used for appropriate conditions will reduce personal injuries.
- **Prevent unintentional starting. Ensure the switch is in the off-position before connecting to power source and/or battery pack, picking up or carrying the tool.** Carrying power tools with your finger on the switch or energising power tools that have the switch on invites accidents.
- **Remove any adjusting key or wrench before turning the power tool on.** A wrench or a key left attached to a rotating part of the power tool may result in personal injury.
- **Do not overreach. Keep proper footing and balance at all times.** This enables better control of the power tool in unexpected situations.
- **Dress properly. Do not wear loose clothing or jewellery. Keep your hair, clothing and gloves away**

| |
|----|
| EN |
| FR |
| DE |
| ES |
| IT |
| NL |
| PT |
| DK |
| SV |
| FI |
| NO |
| RU |
| PL |
| CZ |
| HU |
| RO |
| LV |
| LT |
| ET |
| HR |
| SL |
| SK |
| BG |
| UK |
| TR |

from moving parts. Loose clothes, jewellery or long hair can be caught in moving parts.

- If devices are provided for the connection of dust extraction and collection facilities, ensure these are connected and properly used. Use of dust collection can reduce dust-related hazards.

POWER TOOL USE AND CARE

- Do not force the power tool. Use the correct power tool for your application. The correct power tool will do the job better and safer at the rate for which it was designed.
- Do not use the power tool if the switch does not turn it on and off. Any power tool that cannot be controlled with the switch is dangerous and must be repaired.
- Disconnect the plug from the power source and/or the battery pack from the power tool before making any adjustments, changing accessories or storing power tools. Such preventive safety measures reduce the risk of starting the power tool accidentally.
- Store idle power tools out of the reach of children and do not allow persons unfamiliar with the power tool or these instructions to operate the power tool. Power tools are dangerous in the hands of untrained users.
- Maintain power tools. Check for misalignment or binding of moving parts, breakage of parts and any other condition that may affect the power tool's operation. If damaged, have the power tool repaired before use. Many accidents are caused by poorly maintained power tools.
- Keep cutting tools sharp and clean. Properly maintained cutting tools with sharp cutting edges are less likely to bind and are easier to control.
- Use the power tool, accessories and tool bits etc, in accordance with these instructions, taking into account the working conditions and the work to be performed. Use of the power tool for operations different from those intended could result in a hazardous situation.
- Keep handles and grasping surfaces dry, clean and free from oil and grease. Slippery handles and grasping surfaces do not allow for safe handling and control of the tool in unexpected situations.

SERVICE

- Have your power tool serviced by a qualified repair person using only identical replacement parts. This will ensure that the safety of the power tool is maintained.

ADDITIONAL GENERAL SAFETY WARNINGS

- Some regions have regulations that restrict the use of the product. Check with your local authority for advice.
- Never allow children or people unfamiliar with the instructions to use the product. Local regulations may restrict the age of the operator.
- Ensure before each use that all controls and safety devices function correctly. Do not use the power tool if the "off" switch does not stop the motor.

- Wear full eye and hearing protection, strong sturdy gloves, as well as head protection while operating the product. Use a face mask if operation is dusty.
- Do not wear loose fitting clothing, short trousers, or jewellery of any kind.
- Secure long hair so it is above shoulder level to prevent entanglement in moving parts.
- Beware of thrown, flying, or falling objects. Keep all bystanders, children, and animals at least 15 m away from work area.
- Do not operate in poor lighting. The operator requires a clear view of the work area to identify potential hazards.
- Use of hearing protection reduces the ability to hear warnings (shouts or alarms). The operator must pay extra attention to what is going on in the working area.
- Operating similar tools nearby increases both the risk of hearing injury and the potential for other persons to enter your working area.
- Keep firm footing and balance. Do not overreach. Overreaching can result in loss of balance and can increase the risk of kickback.
- Keep all parts of your body away from any moving part.
- Inspect the product before each use. Check for correct operation of all controls, including the chain brake. Check for loose fasteners, make sure all guards, and handles are properly and securely attached. Replace any damaged parts before use.
- Do not modify the product in any way or use parts and accessories which are not recommended by the manufacturer.
- A power spike causes voltage fluctuations and may affect other electrical products in the same power line. Connect the product to a power supply with an impedance equal or less than 0.33 Ω to minimize voltage fluctuations. Contact your electric power supplier for further clarification.

⚠ WARNING

If the product is dropped, suffers heavy impact or begins to vibrate abnormally, immediately stop the product and inspect for damage or identify the cause of the vibration. Any damage should be properly repaired or replaced by an authorised service centre.

- Electrical power should be supplied via a residual current device (RCD) with a tripping current of not more than 30 mA.
- If you need to use an extension cable, ensure it is suitable for outdoor use and has a current capacity sufficient to supply your product. Check it before every use for damage. Always uncoil it during use because coiled cables can overheat. Damaged extension cables should not be repaired; they should be replaced with an equivalent type.
- If the power cable becomes damaged, it must be replaced before using.
- Make sure the power cord is positioned so that it cannot be damaged by the cutting means and will not be stepped on, tripped over, or otherwise subjected to

- damage or stress.
- Never pick up or carry the product by the electric cable.
- Never pull the power cord to disconnect from the power supply.
- Keep the power cord away from heat, oil, and sharp edges.
- Before every use, examine the supply cord for damage. If there are signs of damage, it must be replaced by a qualified person at an authorised service centre to avoid a hazard.

CHAINSAW SAFETY WARNINGS

- **Keep all parts of the body away from the saw chain when operating the product. Before you start the chainsaw, make sure the saw chain is not contacting anything.** A moment of inattention while operating chainsaws may cause entanglement of your clothing or body with the saw chain.
- **Always hold the chainsaw with your right hand on the rear handle and your left hand on the front handle.** Holding the chainsaw with a reversed hand configuration increases the risk of personal injury and should never be done.
- **Hold the power tool by the insulated gripping surface only, because the saw chain may contact hidden wiring or its own cord.** Saw chains contacting a "live" wire may make exposed metal parts of the power tool "live" and could give the operator an electric shock.
- **Wear safety glasses and hearing protection. Further protective equipment for head, hands, legs and feet is recommended.** Adequate protective clothing will reduce personal injury by flying debris or accidental contact with the saw chain.
- **Do not operate a chainsaw in a tree.** Operation of a chainsaw while up in a tree may result in personal injury.
- **Always keep proper footing and operate the chainsaw only when standing on fixed, secure and level surface.** Slippery or unstable surfaces such as ladders may cause a loss of balance or control of the chainsaw.
- **When cutting a limb that is under tension be alert for spring back.** When the tension in the wood fibres is released the spring loaded limb may strike the operator and/or throw the chainsaw out of control.
- **Use extreme caution when cutting brush and saplings.** The slender material may catch the saw chain and be whipped toward you or pull you off balance.
- **Carry the chainsaw by the front handle with the chainsaw switched off and away from your body. When transporting or storing the chainsaw always fit the guide bar cover.** Proper handling of the chainsaw will reduce the likelihood of accidental contact with the moving saw chain.
- **Follow instructions for lubricating, chain tensioning and changing accessories.** Improperly tensioned or lubricated chain may either break or increase the

chance for kickback.

- **Keep handles dry, clean, and free from oil and grease.** Greasy, oily handles are slippery causing loss of control.
- **Cut wood only. Do not use chainsaw for purposes not intended. For example: do not use chainsaw for cutting plastic, masonry or non-wood building materials.** Use of the chainsaw for operations different than intended could result in a hazardous situation.

Causes and operator prevention of kickback:

Kickback may occur when the nose or tip of the guide bar touches an object, or when the wood closes in and pinches the saw chain in the cut.

Tip contact in some cases may cause a sudden reverse reaction, kicking the guide bar up and back towards the operator.

Pinching the saw chain along the top of the guide bar may push the guide bar rapidly back towards the operator.

Either of these reactions may cause you to lose control of the saw which could result in serious personal injury. Do not rely exclusively upon the safety devices built into your saw. As a chainsaw user, you should take several steps to keep your cutting jobs free from accident or injury.

Kickback is the result of tool misuse and/or incorrect operating procedures or conditions and can be avoided by taking proper precautions as given below:

- **Maintain a firm grip, with thumbs and fingers encircling the chainsaw handles, with both hands on the saw and position your body and arm to allow you to resist kickback forces.** Kickback forces can be controlled by the operator, if proper precautions are taken. Do not let go of the chainsaw.
- **Do not overreach and do not cut above shoulder height.** This helps prevent unintended tip contact and enables better control of the chainsaw in unexpected situations.
- **Only use replacement bars and chains specified by the manufacturer.** Incorrect replacement bars and chains may cause chain breakage and/or kickback.
- **Follow the manufacturer's sharpening and maintenance instructions for the saw chain.** Decreasing the depth gauge height can lead to increased kickback.

ADDITIONAL CHAINSAW SAFETY WARNINGS

- It is recommended to cut logs on a saw-horse or cradle when operating the product the first time.
- Ensure all guards, handles and spiked bumper are properly fitted and are in good condition.
- Persons using the product should be in good health. The product is heavy, so the operator must be physically fit. The operator should be alert, have a good vision, mobility, balance, and manual dexterity. If there is any doubt, do not operate the product.
- Do not start using the product until you have a clear work area, secure footing, and a planned retreat path away from the falling tree.
- Beware of the emission of lubricant mist and saw dust. Wear a mask or respirator, if required.

- If the power cable becomes damaged, have the product serviced by an authorised service centre only.
 - Always keep the power cable tidy and away from the area of cutting. Apart from the danger of electrocution, untidy cables cause falls and trips.
 - Do not cut vines and/or small undergrowth (less than 75 mm in diameter).
 - Always hold the chainsaw with both hands during operation. Use a firm grip with thumbs and fingers encircling the chainsaw handles. Right hand must be on the rear handle and left hand on the front handle.
 - Before starting the product, make sure the saw chain is not contacting any object.
 - Do not modify the product in any way or use it to power any attachments or devices not recommended by the manufacturer for your saw.
 - There should be a first-aid kit containing large wound dressings and a means to summon attention (e.g., whistle) close to the operator. A larger more comprehensive kit should be reasonably nearby.
 - Wear a helmet at all times when operating the product. A helmet, equipped with mesh visor, can help reduce the risk of injury to the face and the head if kickback occurs.
 - An incorrectly tensioned chain can jump off the guide bar and could result in serious injury or fatality. The length of chain depends on the temperature. Check the tension frequently.
 - You should get used to your new chainsaw by making simple cuts on securely supported wood. Do this whenever you have not operated the saw for some time.
 - To reduce the risk of injury associated with contacting moving parts, always stop the motor, apply chain brake, and remove the plug from the power outlet. Make sure all moving parts have come to a complete stop:
 - before leaving the product unattended
 - before cleaning or clearing a blockage
 - before installing or removing attachments
 - before checking, conducting maintenance, or working on the product
 - The size of the work area depends on the job being performed as well as the size of the tree or work piece involved. For example, felling a tree requires a larger work area than making other cuts, i.e., bucking cuts, etc. The operator needs to be aware and in control of everything happening in this work area.
 - Do not cut with your body in line with the guide bar and chain. If you do experience kickback this will prevent the chain coming into contact with your head or body.
 - Do not use a back-and-forward sawing motion, let the chain do the work, keep the chain sharp and don't try to push the chain through the cut.
 - Do not put pressure on the saw at the end of the cut. Be ready to take on the weight of the saw as it cuts free from the wood. Failure to do so could result in possible serious personal injury.
 - Do not stop the saw in the middle of a cutting operation.
- Keep the saw running until it is already removed from the cut.
- Personal protective equipment**
- Good quality, personal protective equipment as used by professionals will help to reduce the risk of injury to the operator. The following items should be used when operating the product:
- Safety helmet**
- should comply with EN 397 and be CE marked
- Hearing protection**
- should comply with EN 352-1 and be CE marked
- Eye and face protection**
- should be CE marked and comply with EN 166 (for safety glasses) or EN 1731 (for mesh visors)
- Gloves**
- should comply with EN381-7 and be CE marked
- Leg protection (chaps)**
- should comply with EN381-5, be CE marked and provide all-round protection.
- Chainsaw safety boots**
- should comply with EN ISO 20345:2004 and be marked with a shield depicting a chainsaw to show compliance with EN 381-3. (Occasional users may use steel toe-cap safety boots with protective gaiters which conform to EN 381-9 if the ground is even and there is little risk of tripping or catching on undergrowth)
- Chainsaw jackets for upper body protection**
- should comply with EN 381-11 and be CE marked
- INSTRUCTIONS CONCERNING THE PROPER TECHNIQUES FOR BASIC FELLING, LIMBING, AND CROSS-CUTTING**
- Understanding the forces within the wood**
- When you understand the directional pressures and stresses inside the wood you can reduce the "pinches" or at least expect them during your cutting. Tension in the wood means the fibers are being pulled apart and if you cut in this area, the "kerf" or cut will tend to open as the saw goes through. If a log is being supported on a saw horse and the end is hanging unsupported over the end, then tension is created on the upper surface due to the weight of the overhanging log stretching the fibers. Likewise, the underside of the log will be in compression and the fibers are being pushed together. If a cut is made in this area, the kerf will have the tendency to close up during the cut. This would pinch the blade.
- Felling a tree**
- See page 273 - 274.
- When bucking and felling operations are being performed by two or more persons at the same time, the felling operations should be separated from the bucking operation by a distance of at least twice the height of the tree being felled. Trees should not be felled in a manner that would endanger any person, strike any utility line or cause any property damage. If the tree does make contact with any utility line, the company should be notified immediately.

The chainsaw operator should keep on the uphill side of the terrain as the tree is likely to roll or slide downhill after it is felled.

An escape path should be planned and cleared as necessary before cuts are started. The escape path should extend back and diagonally to the rear of the expected line of fall.

Before felling starts, consider the natural lean of the tree, the location of larger branches, and the wind direction to judge which way the tree will fall.

Remove dirt, stones, loose bark, nails, staples and wire from the tree.

Do not attempt to fell trees which are rotten or have been damaged by wind, fire, lightning, etc. This is extremely dangerous and should only be completed by professional tree surgeons.

- Notching undercut
See page 273 - 274.

Make the notch 1/3 the diameter of the tree, perpendicular to the direction of the fall. Make the lower horizontal notching cut first. This will help to avoid pinching either the saw chain or the guide bar when the second notch is being made.

- Felling back cut
See page 273 - 274.

Make the felling back cut at least 50 mm. / 2 in. higher than the horizontal notching cut. Keep the felling-back cut parallel to the horizontal notching cut. Make the felling back cut so enough wood is left to act as a hinge. The hinge wood keeps the tree from twisting and falling in the wrong direction. Do not cut through the hinge.

As the felling gets close to the hinge, the tree should begin to fall. If there is any chance that the tree may not fall in desired direction or it may rock back and bind the saw chain, stop cutting before the felling back cut is complete and use wedges of wood, plastic or aluminium to open the cut and drop the tree along the desired line of fall.

When the tree begins to fall remove the chainsaw from the cut, stop the motor, put the chainsaw down, and use the retreat path planned. Be alert for falling overhead limbs and watch your footing.

Removing buttress roots

See page 274.

A buttress root is a large root extending from the trunk of the tree above the ground. Remove large buttress roots prior to felling. Make the horizontal cut into the buttress first, followed by the vertical cut. Remove the resulting loose section from the work area. Follow the correct tree felling procedure after you have removed the large buttress roots.

Push and pull

The reaction force is always opposite to the direction the chain is moving. Thus, the operator must be ready to control the tendency for the product to pull away (forward motion) when cutting on the bottom edge of the bar. Engage always firmly the bumper spike to avoid such movement. The product can be pushed backwards (towards the operator) when cutting along the top edge. To avoid this make sure

the chain is not jammed when cutting along the top edge.

Saw jammed in the cut

Stop the chainsaw and make it safe. Do not try to force the chain and bar out of the cut as this is likely to break the chain, which may swing back and strike the operator. This situation normally occurs because the wood is incorrectly supported which forces the cut to close under compression, thereby pinching the blade. If adjusting the support does not release the bar and chain, use wooden wedges or a lever to open the cut and release the saw. Never try to start the chainsaw when the guide bar is already in a cut or kerf.

Skating / Bouncing

When the chainsaw fails to dig in during a cut, the guide bar can begin hopping or dangerously skidding along the surface of the log or branch, possibly resulting in the loss of control of the chainsaw. To prevent or reduce skating or bouncing, always use the saw with both hands. Make sure the saw chain establishes a groove for cutting.

Never cut small, flexible branches or brushes with your chainsaw. Their size and flexibility can easily cause the saw to bounce towards you or bind up with enough force to cause a kickback. The best tool for that kind of work is a hand saw, pruning shears, an axe or other hand tools.

Bucking a log

See page 275.

Bucking is cutting a log into lengths. It is important to make sure your footing is firm and your weight is evenly distributed on both feet. When possible, the log should be raised and supported by the use of limbs, logs or chocks. Follow the simple directions for easy cutting. When the log is supported along its entire length, it is cut from the top (overbuck).

When the log is supported on one end, cut 1/3 the diameter from the underside (underbuck). Then make the finished cut by overbucking to meet the first cut.

When the log is supported on both ends, cut 1/3 the diameter from the top (overbuck). Then make the finished cut by underbucking the lower 2/3 to meet the first cut.

When bucking on a slope always stand on the uphill side of the log. To maintain control when "cutting through", release the cutting pressure near the end of the cut without relaxing your grip on the chainsaw handles. Don't let the chain contact the ground. After completing the cut, wait for the saw chain to stop before you move the chainsaw. Always stop the motor before moving from tree to tree.

Limbing a tree

See page 276.

Limbing is removing the branches from a fallen tree. When limbing, leave larger lower limbs to support the log off the ground. Remove the small limbs in one cut. Branches under tension should be cut from the bottom up to avoid binding the chainsaw.

Springpoles

See page 276.

A springpole is any log, branch, rooted stump, or sapling which is bent under tension by other wood so that it springs

EN

FR

DE

ES

IT

NL

PT

DA

SV

FI

NO

RU

PL

CS

HU

RO

LV

LT

ET

HR

SL

SH

DK

SE

back if the wood holding it is cut or removed.

On a fallen tree, a rooted stump has a high potential of springing back to the upright position during the bucking cut to separate the log from the stump. Watch out for springpoles—they are dangerous. Do not attempt to cut bent branches or stumps which are under tension unless you are professionally trained and competent to do so.

⚠ WARNING

Springpoles are dangerous and could strike the operator, causing the operator to lose control of the chainsaw. This could result in severe or fatal injury to the operator. This should be done by trained users.

TRANSPORTATION AND STORAGE

See page 281 - 284.

- Stop the product and disconnect it from the power supply. Allow the product to cool down before storing or transporting.
- Clean all foreign material from the product. Store it in a cool, dry, and well-ventilated place that is inaccessible to children. Keep away from corrosive agents such as garden chemicals and de-icing salts. Do not store outdoors.
- Fit the guide bar cover before storing the product or during transportation.
- For transportation, secure the product against movement or falling to prevent injury to persons or damage to the product.

MAINTENANCE

Always keep the product in good working condition.

⚠ WARNING

Use only original **manufacturer's** replacement parts, accessories, and **attachments**. Failure to do so can cause possible injury, **poor performance**, and may void your warranty.

⚠ WARNING

Servicing requires extreme care and knowledge and should be performed only by a qualified service technician. Have the product serviced by an authorised service centre only. When servicing, use only original replacement parts.

⚠ WARNING

Disconnect the product from the power supply before adjustment, maintenance, or cleaning. Failure to do so could result in serious personal injury.

- You may only make adjustments or repairs described in this manual. For other repairs, have the product serviced by an authorised service centre only.
- Consequences of improper maintenance, removal, or

modification of safety features like the chain brake, hand guard (front and back), spiked bumper, chain catcher, guide bar, low-kickback saw chain may cause the safety features to not function correctly, thus increasing the potential for serious injury. Keep the product professionally maintained and safe.

- Sharpening the chain safely is a skilled task. Therefore, the manufacturer strongly recommends that a worn or dull chain is replaced with a new one, available at your authorised service centre. The part number is available in the product specification table in this manual.
- Follow instructions for lubricating and chain tension checking and adjustment.
- After each use, clean the product with a soft dry cloth.
- Check all nuts, bolts, and screws at frequent intervals for security to ensure the product is in safe working condition. Any part that is damaged should be properly repaired or replaced by an authorised service centre.

RESIDUAL RISKS

Even when the product is used as prescribed, it is still impossible to completely eliminate certain residual risk factors. The following hazards may arise during use, and the operator should pay special attention to avoid the following:

- Injury caused by vibration
 - Always use the right tool for the job. Use designated handles. Restrict working time and exposure.
- Exposure to noise can cause hearing injury.
 - Wear hearing protection and limit exposure.
- Contact with exposed saw teeth of the chain (cutting hazards).
- Unforeseen, abrupt movement or kickback of the guide bar (cutting hazards).
- Parts ejected from the saw chain (cutting/injection hazards).
- Thrown out pieces of the work piece (wood chips, splinters).
- Inhalation of saw dust and particles.
- Skin contact with oil.

RISK REDUCTION

It has been reported that vibrations from hand-held tools may contribute to a condition called Raynaud's Syndrome in certain individuals. Symptoms may include tingling, numbness and blanching of the fingers, usually apparent upon exposure to cold. Hereditary factors, exposure to cold and dampness, diet, smoking and work practices are all thought to contribute to the development of these symptoms. There are measures that can be taken by the operator to possibly reduce the effects of vibration.

- Keep your body warm in cold weather. When operating the unit wear gloves to keep the hands and wrists warm. It is reported that cold weather is a major factor contributing to Raynaud's Syndrome.
- After each period of operation, exercise to increase blood circulation.
- Take frequent work breaks. Limit the amount of

- exposure per day.
- Protective gloves available from professional chainsaw retailers are designed specifically for chainsaw use, which give protection, good grip and also reduce the effect of handle vibration.

If you experience any of the symptoms of this condition, immediately discontinue use and see your physician.

⚠ WARNING

Injuries may be caused, or aggravated, by prolonged use of a tool. When using any tool for prolonged periods, ensure you take regular breaks.

KNOW YOUR PRODUCT

See page 267.

1. Chain
2. Guide bar
3. Front hand guard/Chain brake
4. Front handle
5. Trigger release
6. Rear handle
7. Spiked bumper
8. Chain lubricant cap
9. Cord retainer
10. Switch trigger
11. Sprocket cover
12. Chain tension/Guide bar locking knob
13. Guide bar cover
14. Chain catcher

SAFETY DEVICES

Low kick-back saw chain

A low-kickback saw chain helps to reduce the possibility of a kickback event.

The rakers (depth gauges) ahead of each cutter can minimize the force of a kickback reaction by preventing the cutters from digging in too deeply. Only use replacement guide bar and chain combinations recommended by the manufacturer.

As saw chains are sharpened, they lose some of the low kickback qualities and extra caution is required. For your safety, replace saw chains when cutting performance decreases.

Spiked bumper

The integral bumper spike may be used as a pivot when making a cut. It helps to keep the body of the chainsaw steady while cutting. When cutting, push the product forward until the spikes dig into the edge of the wood, then by moving the rear handle up or down in the direction of the cutting line it can help ease the physical strain of cutting.

Guide bars

Generally, guide bars with small radius tips have somewhat lower potential for kickback. You should use a guide bar and matching chain which is just long enough for the job. Longer bars increase the risk of loss of control during sawing. Regularly check the chain tension. When cutting

smaller branches (less than the full length of the guide bar) the chain is more likely to be thrown off if the tension is not correct.

Chain brake

Chain brakes are designed to quickly stop the chain from rotating. When the chain brake lever/hand guard is pushed towards the bar, the chain should stop immediately. A chain brake does not prevent kickback. It only lowers the risk of injury should the chain bar contact the operator's body during a kickback event. The chain brake should be tested before each use for correct operation in both the run and brake positions.

Chain catcher

A chain catcher prevents the saw chain from being thrown back towards the operator if the saw chain comes loose or breaks.

ASSEMBLY

⚠ WARNING

If any parts are damaged or missing, do not operate the product until the parts are replaced. Failure to heed this warning could result in serious personal injury.

ASSEMBLING THE SAW CHAIN AND GUIDE BAR

See page 268 - 269.

1. Disconnect the mains plug. Wear protective gloves.
2. Unscrew the guide bar locking knob and remove the sprocket cover.
3. The saw chain should face in the direction of chain rotation. If they face backwards, turn the loop over.
4. Place the chain drive links into the bar groove.
5. Position the chain so there is a loop at the back of the bar.
6. Hold the chain in position on the bar and place the loop around the drive sprocket. Lower the bar so that the bolt goes through the hole in the attached chain tension assembly.
7. Replace the sprocket cover and then tighten the chain tension/guide bar locking knob by turning it clockwise until it locks into place. Check the chain tension frequently.
The chain tension is correct when the gap between the cutter in the chain and the bar is between 3 mm - 4 mm. Pull the chain in the middle of the lower side of the bar downwards (away from the bar) and measure the distance between the bar and the chain cutters.
8. Tighten and lock the chain tension/guide bar locking knob by turning it clockwise.

ADJUSTING THE CHAIN TENSION

See page 279.

1. Disconnect the product from the power supply. Wear protective gloves.
2. To correct the chain tension, fully loosen the chain tension/guide bar locking knob, then tighten the chain tension/guide bar locking knob by turning it clockwise until it locks into place. Check the chain tension

EN

FR

DE

ES

IT

NL

PT

DA

SV

FI

NO

RU

PL

CZ

HU

RO

LV

LT

ET

HR

IL

BK

SG

UK

TH

frequently.

The chain tension is correct when the gap between the cutter in the chain and the bar is between 3 mm - 4 mm. Pull the chain in the middle of the lower side of the bar downwards (away from the bar) and measure the distance between the bar and the chain cutters.

3. Tighten and lock the chain tension/guide bar locking knob by turning it clockwise.

Note: Make sure that the bar and chain tensioning assembly is moving freely without dirt and the saw chain is correctly looped around the sprocket. If the chain tension is too tight or too loose after locking the chain tension/guide bar locking knob, check if the guide bar and chain tensioning assembly are clean and properly assembled.

If necessary, remove the sprocket cover and guide bar for cleaning, then re-assemble the parts.

OPERATION

ADDING CHAIN LUBRICATING OIL

See page 269.

⚠ WARNING

Never work without chain lubricant. If the saw chain is running without lubricant, the guide bar and saw chain can be damaged. It is essential to frequently check the oil level in the oil level gauge and before starting to use the chainsaw.

1. Clear surface around the oil cap to prevent contamination.
2. Unscrew and remove the cap from the oil tank.
3. Pour the oil into the oil tank and monitor the oil level gauge. Ensure that no dirt enters the oil tank while filling.
4. Put the oil cap back on and tighten it up. Wipe away any spillage.
5. One full oil tank will enable you to use the saw for 18 - 28 min.

HOLDING THE CHAINSAW

See page 269.

Always hold the chain saw with your right hand at the rear handle and your left hand at the front handle. Grip both handles with the thumbs and fingers encircling the handles. Ensure that your left hand is holding the front handle so that your thumb is underneath.

⚠ WARNING

Always keep the power cable tidy and away from the area of cutting. Apart from the danger of electrocution, untidy cables cause falls and trips.

STARTING THE CHAINSAW

See page 269.

1. Connect the product to a power outlet. Make sure the chain brake is in the run position by pulling back on the lever/hand guard.

2. To start the product: Press the trigger release, and then press the on/off trigger.

CHECKING AND OPERATING CHAIN BRAKE

1. Engage the chain brake by rotating your left hand around the front handle. Allow the back of your hand to push the chain brake lever/hand guard toward the bar while the chain is rotating rapidly. The chain should stop rotating immediately. Be sure to maintain both hands on the saw handles at all times.
2. Reset the chain brake back into the Run position by grasping the top of the chain brake lever/hand guard and pulling toward the front handle until you hear a click.

⚠ WARNING

If the chain brake does not stop the chain immediately, or if the chain brake will not stay in the run position without assistance, have the product serviced by an authorised service centre prior to use.

REPLACING THE GUIDE BAR AND SAW CHAIN

See page 277 - 278.

1. Disconnect the product from the power supply. Wear protective gloves.
2. Unlock the chain tension/guide bar locking knob by turning it counterclockwise until the sprocket cover comes loose.
3. Remove the sprocket cover. Remove the bar and saw chain from the product.
4. Remove the screw holding the guide bar to the chain tension assembly. Dispose the used bar and saw chain properly.
5. Mount the chain tension assembly on to the new bar and tighten the screw. Put the new chain in the correct direction onto the bar and make sure that the drive links are aligned in the bar groove.
6. Attach the bar to the chain saw and loop the chain around the drive sprocket.
Replace the sprocket cover.
7. Tighten and lock the chain tension/guide bar locking knob by turning it clockwise.

The chain tension is correct when the gap between the cutter in the chain and the bar is between 3 mm - 4 mm. Pull the chain in the middle of the lower side of the bar downwards (away from the bar) and measure the distance between the bar and the chain cutters.

Adjust the chain tension. Refer to the "Adjusting chain tension" section.

⚠ WARNING

Improper chain sharpening increases the potential of kickback.

⚠ WARNING

Failure to replace or repair a damaged chain can cause serious injury.

⚠ WARNING
 The saw chain is very sharp. Always wear protective gloves when performing maintenance to the chain.

INSPECTING AND CLEANING THE CHAIN BRAKE

See page 280.

- Always keep the chain brake mechanism clean by lightly brushing the linkage free from dirt.
- Always test the chain brake performance after cleaning. Refer to the "Operation - Checking and Operating Chain Brake" section in this manual for additional information.

MAINTENANCE SCHEDULE

| Daily check | |
|------------------------|--------------------------------|
| Power cable for damage | Before each use |
| Bar lubrication | Before each use |
| Chain tension | Before each use and frequently |
| Chain sharpness | Before each use, visual check |
| For damaged parts | Before each use |
| For loose fasteners | Before each use |
| Chain brake function | Before each use |
| Inspect and clean | |
| Bar | Before each use |
| Complete saw | After each use |
| Chain brake | Every 5 hours* |

* Hours of operation

SYMBOLS ON THE PRODUCT

- Safety alert
- To reduce the risk of injury, user must read and understand operator's manual before using this product.
- Wear eye, ear and head protection.
- Wear non-slip safety footwear when using the product.
- Wear non-slip, heavy duty gloves.
- Remove plug from the mains immediately before maintenance or if cable is damaged or cut
- Beware of chain saw kickback and avoid contact with bar tip.



Do not expose to rain or damp condition.



Hold and operate the saw properly with both hands.



Do not operate the saw using only one hand.



Conforms to all regulatory standards in the country in the EU where the product is purchased.



EurAsian Conformity Mark



Class II tool, double insulation



Ukrainian mark of conformity



Waste electrical products should not be disposed of with household waste. Please recycle where facilities exist. Check with your local authority or retailer for recycling advice.



The guaranteed sound power level is 104 dB (RCS1935B)



The guaranteed sound power level is 105 dB (RCS2340B)



Bar and chain lubricant



Chain brake

Rotate to lock or unlock the guide bar



Lock



Unlock



Moving direction of the chain. (Marked under the sprocket cover)

SYMBOLS IN THIS MANUAL



Connect to power outlet.

- EN
- FR
- DE
- ES
- IT
- NL
- PT
- DA
- SV
- FI
- NO
- RU
- PL
- CZ
- HU
- RO
- LV
- LT
- ET
- HR
- SK
- GR
- TR



Disconnect from power outlet.



Parts or accessories sold separately



Note



Warning



Wear eye and face protection.



Wear upper body protection.



Wear leg protection.



Stop the product.

The following signal words and meanings are intended to explain the levels of risk associated with this product.

⚠ DANGER

Indicates an imminently hazardous situation, which, if not avoided, will result in death or serious injury.

⚠ WARNING

Indicates a potentially hazardous situation, which, if not avoided, could result in death or serious injury.

⚠ CAUTION

Indicates a potentially hazardous situation, which, if not avoided, may result in minor or moderate injury.

CAUTION

Without safety alert symbol

Indicates a situation that may result in property damage.

Lors de la conception de la tronçonneuse électrique, l'accent a été mis sur la sécurité, les performances et la fiabilité.

UTILISATION PRÉVUE

La tronçonneuse électrique est uniquement destinée à une utilisation en extérieur. Pour des raisons de sécurité, le produit doit être en permanence contrôlé des deux mains.

Le produit est destiné à la coupe des branches, troncs, bûches, et poutres d'un diamètre déterminé par la longueur de coupe du guide-chaîne. Il n'est autorisé de l'utiliser que pour couper du bois. Utilisation réservée à des applications domestiques, par des adultes ayant reçu une formation adéquate concernant les risques et les actions/mesures de prévention à prendre lors de l'utilisation du produit.

Le produit ne doit pas être utilisé par des enfants ou par des personnes ne portant pas des équipements et vêtements de sécurité. Il ne doit pas être utilisé de façon professionnelle pour l'abattage et l'élagage des arbres.

Ne l'utilisez pour aucun autre travail.

⚠ AVERTISSEMENT

Suivez les règles de sécurité lorsque vous utilisez le produit. Pour votre sécurité et celle des passants, vous devez lire et totalement comprendre ces instructions avant d'utiliser le produit. Vous devriez suivre un stage professionnel de sécurité ayant trait à l'utilisation et à l'entretien des tronçonneuses, ainsi qu'aux mesures préventives et aux premiers soins. Veuillez conserver ce manuel pour vous-y reporter dans le futur.

⚠ AVERTISSEMENT

Les tronçonneuses sont des outils potentiellement dangereux. Les accidents impliquant l'utilisation de tronçonneuses causent souvent la perte d'un membre ou la mort. La tronçonneuse en elle-même n'est pas le seul risque. La chute de branches et d'arbres et la rotation des bûches peuvent tuer. Le bois malade ou pourri crée des risques supplémentaires. Vous devez jauger votre capacité à effectuer une tâche de façon sûre. En cas de doute quel qu'il soit, confiez le travail à un chirurgien du bois.

INDICATIONS GÉNÉRALES DE SÉCURITÉ POUR OUTILS ÉLECTROPORTATIFS

⚠ AVERTISSEMENT

Lisez tous les avertissements et indications. Le non-respect des avertissements et instructions peut entraîner un décharge électrique, un incendie et/ou de graves blessures.

Bien garder tous les avertissements et instructions.

La notion d'« outil électroportatif » mentionnée dans les avertissements se rapporte à des outils électriques raccordés au secteur (avec câble de raccordement) et à des outils électriques à accu (sans câble de raccordement).

SÉCURITÉ DANS LA ZONE DE TRAVAIL

- **Maintenez l'endroit de travail propre et bien éclairé.** Un lieu de travail en désordre ou mal éclairé augmente le risque d'accidents.
- **N'utilisez pas l'outil électroportatif dans un environnement présentant des risques d'explosion et où se trouvent des liquides, des gaz ou poussières inflammables.** Les outils électroportatifs génèrent des étincelles risquant d'enflammer les poussières ou les vapeurs.
- **Tenez les enfants et autres personnes éloignés durant l'utilisation de l'outil électroportatif.** En cas d'inattention vous risquez de perdre le contrôle sur l'appareil.

SÉCURITÉ RELATIVE AU SYSTÈME ÉLECTRIQUE

- **La fiche de secteur de l'outil électroportatif doit être appropriée à la prise de courant. Ne pas modifier en aucun cas la fiche. Ne pas utiliser de fiches d'adaptateur avec des outils électroportatifs avec mise à la terre.** Les fiches non modifiées et les prises de courant appropriées réduisent le risque de décharge électrique.
- **Évitez le contact physique avec des surfaces mises à la terre tels que tuyaux, radiateurs, fours et réfrigérateurs.** Il y a un risque élevé de choc électrique au cas où votre corps serait relié à la terre.
- **Ne pas exposer l'outil électroportatif à la pluie ou à l'humidité.** La pénétration d'eau dans un outil électroportatif augmente le risque d'un choc électrique.
- **Ne malmenez pas le câble d'alimentation. Ne jamais utiliser le cordon pour porter, tirer ou débrancher l'outil. Maintenir le câble éloigné des sources de chaleur, des parties grasses, des bords tranchants ou des parties de l'appareil en rotation.** Un câble endommagé ou torsadé augmente le risque d'un choc électrique.
- **Au cas où l'outil électroportatif serait utilisé à l'extérieur, utiliser une rallonge appropriée pour les applications extérieures.** L'utilisation d'une rallonge électrique appropriée pour les applications extérieures réduit le risque d'un choc électrique.
- **Si une utilisation de l'outil électroportatif dans un environnement humide ne peut pas être évitée, utiliser un disjoncteur différentiel.** Un disjoncteur différentiel réduit le risque d'un choqué électrique.

SÉCURITÉ DES PERSONNES

- **Rester vigilant, surveiller ce que vous faites. Faire preuve de bon sens en utilisant l'outil électroportatif. Ne pas utiliser un outil électroportatif lorsqu'on est fatigué ou après avoir consommé de l'alcool, des drogues ou avoir pris des médicaments.** Un moment d'inattention lors de l'utilisation de l'outil électroportatif peut entraîner de graves blessures sur les personnes.
- **Porter des équipements de protection. Porter toujours des lunettes de protection.** Afin d'éviter tout dommage corporel, il convient d'utiliser, dans les conditions appropriées, des équipements de protection tels qu'un masque anti-poussière, des chaussures de sécurité antidérapantes, un casque de sécurité et une

- protection auditive.
- **Eviter toute mise en service accidentelle. Assurez-vous que l'interrupteur est en position "arrêt" avant la connexion au secteur et/ou l'insertion de la batterie, ainsi qu'avant de saisir ou de transporter l'outil.** Le transport d'un outil électrique avec votre doigt sur l'interrupteur ou la mise sous tension d'un outil dont l'interrupteur est en position "marche" est propice aux accidents.
 - **Enlever tout outil de réglage ou toute clé avant de mettre l'outil électroportatif en fonctionnement. Une clé ou un outil se trouvant sur une partie en rotation peut causer des blessures.** Le fait de porter l'outil électroportatif avec le doigt sur l'interrupteur ou de le brancher sur la source de courant lorsque l'outil électroportatif est en fonctionnement, peut entraîner des accidents.
 - **Ne pas se précipiter. Gardez une position et un équilibre adaptés à tout moment.** Cela permet un meilleur contrôle de l'outil dans des situations inattendues.
 - **Portez des vêtements appropriés. Ne pas porter de vêtements amples ni de bijoux. Maintenir cheveux, vêtements et gants éloignés des parties de l'appareil en rotation.** Des vêtements amples, des bijoux ou des cheveux longs peuvent être happés par des pièces en mouvement.
 - **Si des dispositifs servant à aspirer ou à recueillir les poussières doivent être utilisés, vérifiez que ceux-ci soient effectivement raccordés et qu'ils sont correctement utilisés.** L'utilisation d'un dispositif d'aspiration des poussières peut réduire les dangers dus aux poussières.

UTILISATION ET EMPLOI SOIGNEUX D'OUTILS ÉLECTROPORTATIFS

- **Ne pas surcharger l'appareil. Utiliser l'outil électroportatif approprié au travail à effectuer.** Avec l'outil électroportatif approprié, vous travaillerez mieux et avec plus de sécurité à la vitesse pour laquelle il est prévu.
- **Ne pas utiliser un outil électroportatif dont l'interrupteur est défectueux.** Un outil électroportatif qui ne peut plus être mis en ou hors fonctionnement est dangereux et doit être réparé.
- **Débranchez la fiche secteur de la source de courant et/ou le pack batterie de l'outil électrique avant d'effectuer tout réglage, tout changement d'accessoire, et avant de le ranger.** Cette mesure de précaution empêche une mise en fonctionnement de l'outil électroportatif par mégarde.
- **Conserver les outils à l'arrêt hors de la portée des enfants et ne pas permettre à des personnes ne connaissant pas l'outil ou les présentes instructions de le faire fonctionner.** Les outils sont dangereux entre les mains d'utilisateurs novices.
- **Prendre soin de l'outil électroportatif. Vérifier que les parties en mouvement fonctionnent correctement et qu'elles ne soient pas coincées, et contrôler si des parties sont cassées ou endommagées de telle sorte que le bon fonctionnement de**

l'outil électroportatif s'en trouve entravé. Faire réparer ces parties endommagées avant d'utiliser l'appareil. De nombreux accidents sont dus à des outils électroportatifs mal entretenus.

- **Maintenir les outils de coupe aiguisés et propres.** Des outils soigneusement entretenus avec des bords tranchants bien aiguisés se coincent moins souvent et peuvent être guidés plus facilement.
- **Utiliser l'outil, les accessoires et les lames etc., conformément à ces instructions, en tenant compte des conditions de travail et du travail à réaliser.** L'utilisation des outils électroportatifs à d'autres fins que celles prévues peut entraîner des situations dangereuses.
- **Gardez les poignées et les surfaces de préhension sèches, propres et exemptes d'huile et de graisse.** Des poignées et des surfaces de préhension glissantes ne permettent pas une manipulation et un contrôle de l'outil en toute sécurité en cas de situation imprévue.

TRAVAUX D'ENTRETIEN

- **Ne faire réparer l'outil électroportatif que par un personnel qualifié et seulement avec des pièces de rechange d'origine.** Ceci permet d'assurer la sécurité de l'appareil.

INSTRUCTIONS DE SÉCURITÉ GÉNÉRALE ADDITIONNELLES

- La législation de certaines régions restreint l'utilisation du produit. Contactez les autorités locales pour obtenir des conseils.
- Ne laissez jamais les enfants ou les personnes non familiarisées avec le mode d'emploi utiliser le produit. Les lois locales peuvent imposer un âge minimum à l'opérateur.
- Avant chaque utilisation, assurez-vous que toutes les commandes et tous les organes de sécurité fonctionnent correctement. N'utilisez pas l'outil à moteur si la mise de son interrupteur sur "off" (arrêt) n'arrête pas le moteur.
- Porter une protection complète des yeux et des oreilles, des gants solides ainsi qu'une protection de tête lors de l'utilisation du produit. Portez un masque anti-poussières si l'opération est poussiéreuse.
- Ne portez pas de vêtements amples, de pantalons courts ou de bijoux d'aucune sorte.
- Si vous avez les cheveux longs, attachez-les au-dessus du niveau des épaules afin d'éviter qu'ils ne se prennent dans les parties en mouvement.
- Prenez garde à la projection et à la chute d'objets. Tenir tous les observateurs, enfants et animaux à au moins 15m de la zone de travail.
- N'utilisez pas cet outil dans une zone mal éclairée. L'opérateur doit avoir une bonne vue d'ensemble de la zone de travail pour identifier les dangers éventuels.
- L'utilisation d'une protection auditive réduit la capacité à entendre les avertissements (cris ou alarmes). L'utilisateur doit redoubler d'attention en ce qui concerne les événements survenant dans la zone de travail.

- L'utilisation d'outils similaires alentour augmente le risque d'atteinte à l'audition ainsi que le risque que d'autres personnes entrent dans la zone de travail.
- Gardez un bon appui et un bon équilibre. Ne pas se précipiter. Un travail en extension excessive peut entraîner une perte d'équilibre et augmenter le risque de rebond.
- Maintenez toutes les parties de votre corps éloignées des parties en mouvement.
- Vérifiez le produit avant chaque utilisation. Vérifiez le fonctionnement correct de toutes les commandes, frein de chaîne compris. Vérifiez le bon serrage des attaches, assurez-vous que toutes les protections et poignées sont bien en place et bien verrouillées. Remplacez toute pièce endommagée avant utilisation.
- Ne modifiez la machine d'aucune façon et n'utilisez pas de pièces ou accessoires non recommandés par le fabricant.
- Un pic de tension peut provoquer des variations de tension susceptibles d'affecter les autres appareils électriques branchés sur la même ligne d'alimentation. Branchez le produit sur une source d'alimentation électrique dont l'impédance est inférieure ou égale à 0,33 Ω afin de minimiser les variations de tension. Contactez votre fournisseur d'électricité pour de plus amples informations.

AVERTISSEMENT

Si le produit est tombé, a subi un choc important ou se met à vibrer de façon anormale, arrêtez-le immédiatement et recherchez les dommages éventuels ou identifiez la cause des vibrations. Toute pièce endommagée doit être correctement remplacée ou réparée par un service après-vente agréé

- L'appareil doit être alimenté par l'intermédiaire d'un disjoncteur différentiel d'une sensibilité n'excédant pas 30 mA.
- Si vous devez utiliser une rallonge électrique, assurez-vous qu'elle est prévue pour une utilisation à l'extérieur et que sa capacité en courant est suffisante pour alimenter votre produit. Vérifiez l'absence de dommages avant chaque utilisation. Le câble d'alimentation doit toujours être déroulé pendant utilisation, les câbles enroulés étant susceptibles de surchauffer. Les rallonges endommagées ne doivent pas être réparées, elles doivent être remplacées par un modèle équivalent.
- Si le câble d'alimentation est endommagé, veuillez le remplacer avant toute utilisation.
- Assurez-vous que le câble chemine de façon qu'il ne puisse pas être coupé et que l'on ne puisse pas marcher dessus ou se prendre les pieds dedans, et qu'il ne peut pas être forcé ou endommagé.
- Ne soulevez et ne transportez jamais le produit en le tenant par son câble d'alimentation.
- Ne débranchez jamais le câble d'alimentation en tirant dessus.
- Gardez le câble d'alimentation éloigné de la chaleur,

des graisses et des bords coupants.

- Avant chaque utilisation, vérifiez que le câble d'alimentation n'est pas endommagé. En cas de signe de dommages, faites procéder à son remplacement par une personne qualifiée ou par un service après-vente agréé afin d'éviter tout danger.

AVERTISSEMENTS DE SÉCURITÉ RELATIFS À LA TRONÇONNEUSE

- **Conserver toutes les parties du corps à distance de la tronçonneuse lors de l'utilisation du produit. Avant de mettre la tronçonneuse en marche, assurez-vous que rien ne soit en contact avec la chaîne.** Un moment d'inattention lors de l'utilisation d'une tronçonneuse est susceptible d'entraîner l'enchevêtrement de vos habits ou de votre corps dans sa chaîne.
- **Tenez toujours la tondeuse avec votre main droite sur la poignée arrière et votre main gauche sur la poignée avant.** Le maintien de la tronçonneuse avec la position des mains inversée augmente le risque de blessures et ne doit jamais être effectué.
- **Tenir l'outil électrique uniquement au niveau de sa surface de saisie isolée, parce que la tronçonneuse peut entrer en contact avec des branchements dissimulés ou son propre fil.** Une chaîne de tronçonneuse qui entrerait en contact avec un câble "sous tension" pourrait véhiculer cette tension électrique vers les parties métalliques de l'outil et exposer l'opérateur à une décharge électrique.
- **Portez des lunettes de sécurité et une protection auditive. L'utilisation d'équipement de protection supplémentaire pour la tête, les mains, les jambes et les pieds est recommandée.** Un habillement de protection adéquat réduit les risques de blessures provoquées par la projection de débris ou la mise en contact accidentelle avec la chaîne de la tronçonneuse.
- **N'utilisez pas de tronçonneuse dans un arbre.** L'utilisation d'une tronçonneuse en hauteur dans un arbre est susceptible de provoquer des blessures.
- **Gardez toujours un bon appui de vos pieds au sol et n'utilisez la tronçonneuse que lorsque vous vous tenez debout sur une surface fixe, sûre et horizontale.** Les surfaces glissantes ou instables telles que les échelles peuvent entraîner une perte d'équilibre ou de maîtrise de la tronçonneuse.
- **Lorsque vous coupez une branche sous tension, prenez garde à l'effet ressort.** Une fois la tension des fibres du bois relâchée, la branche sous tension pourrait frapper l'opérateur et/ou causer une perte de contrôle de la tronçonneuse.
- **Soyez particulièrement prudent lors de la coupe de broussailles et de jeunes arbres.** Les fins branchages sont susceptibles d'être agrippés par la chaîne de la tronçonneuse et de venir vous fouetter ou de vous faire perdre l'équilibre.
- **Transportez la tronçonneuse par sa poignée avant, moteur coupé et éloignée de votre corps. Mettez toujours le fourreau de protection du guide-chaîne en place lorsque vous transportez ou rangez la**

| |
|----|
| FR |
| FR |
| DE |
| ES |
| IT |
| NL |
| PT |
| DA |
| SV |
| PL |
| NO |
| RU |
| AL |
| GR |
| MT |
| RO |
| CY |
| LT |
| ET |
| HR |
| SK |
| SI |
| UK |
| RU |

tronçonneuse. Une manipulation correcte de la tronçonneuse réduit la probabilité de mise en contact accidentelle avec la chaîne en mouvement.

- **Respectez les instructions concernant la lubrification, la tension de la chaîne et le changement d'accessoires.** Une chaîne mal tendue ou mal lubrifiée peut soit casser ou augmenter le risque de rebond.
- **Gardez les poignées propres, sèches, et exemptes d'huile et de graisse.** Des poignées grasses ou huileuses sont glissantes et peuvent entraîner une perte de contrôle.
- **Ne coupez que du bois. N'utilisez pas cette tronçonneuse pour un usage autre que ceux prévus. Par exemple, n'utilisez pas la tronçonneuse pour couper du plastique, de la maçonnerie ou des matériaux n'étant pas à base de bois.** L'utilisation détournée de l'appareil peut entraîner des situations dangereuses.

Causes et prévention du rebond :

Il peut se produire un rebond si l'extrémité du guide-chaîne entre en contact avec un objet ou si la chaîne coupante se pince et se bloque dans le bois pendant la coupe.

Dans certains cas, le contact avec le nez du guide-chaîne peut provoquer une réaction inverse soudaine, faisant rebondir le guide-chaîne vers le haut et en direction de l'opérateur.

Le pincement de la chaîne au niveau du haut du guide-chaîne est susceptible de le repousser rapidement le guide-chaîne en direction de l'opérateur.

Dans chacun de ces cas, vous pouvez perdre le contrôle de la tronçonneuse et être grièvement blessé. Ne vous fiez pas exclusivement aux éléments de protection de votre tronçonneuse. Vous devez également prendre différentes mesures pour éviter les risques d'accidents ou de blessures.

Le rebond est le résultat d'une utilisation incorrecte de l'outil et/ou de mauvaises procédures ou conditions d'utilisation, et il peut être évité en prenant les précautions adéquates indiquées ci-dessous :

- **Maintenez fermement la tronçonneuse des deux mains, vos pouces et vos doigts enserrant ses poignées, et positionnez votre corps et vos bras de façon à pouvoir résister aux forces de rebond.** Les forces de rebond peuvent être maîtrisées par l'opérateur si des précautions adaptées sont prises. Ne lâchez pas la tronçonneuse.
- **Ne travaillez pas en extension et ne tronçonnez pas au dessus du niveau des épaules.** Vous aiderez ainsi à éviter le contact accidentel avec le nez du guide-chaîne et à améliorer le contrôle de la tronçonneuse en cas de situation inattendue.
- **N'utilisez que les chaînes et guides-chaînes indiqués par le fabricant.** Des chaînes et guides-chaînes de rechange de type incorrect pourraient entraîner une rupture de la chaîne et/ou un rebond.
- **Respectez les instructions du fabricant pour l'aiguisage et l'entretien de la chaîne.** La diminution de la hauteur du limiteur de profondeur est susceptible

d'augmenter le risque de rebond.

AVERTISSEMENTS DE SÉCURITÉ SUPPLÉMENTAIRES CONCERNANT LES TRONÇONNEUSES

- Il est recommandé de couper les bûches sur un chevalet ou sur un berceau lors de la première utilisation du produit.
- Assurez-vous que toutes les protections et poignées ainsi que l'arrêt à griffes sont bien en place et en bon état.
- Les utilisateurs du produit doivent être en bonne santé. Le produit est lourd ; l'opérateur doit être en bonne condition physique. L'utilisateur doit être vigilant, avoir une bonne vue, une bonne mobilité, un bon sens de l'équilibre, et être adroit de ses mains. En cas de doute quel qu'il soit, n'utilisez pas la tronçonneuse.
- Ne commencez pas à utiliser le produit avant de disposer d'une zone de travail dégagée, d'avoir un bon appui au sol, ainsi qu'un chemin de repli éloigné de la zone de chute de l'arbre.
- Prenez garde aux projections de brouillard d'huile et de sciure. Portez un masque ou un respirateur au besoin.
- Si le câble venait à être endommagé, confier l'entretien du produit à un centre d'entretien agréé.
- Gardez toujours le câble d'alimentation bien en ordre et éloigné de la zone de coupe. En plus des dangers d'électrocution qu'ils présentent, les câbles en désordre peuvent provoquer des trébuchements et des chutes.
- Ne coupez pas de vigne et/ou de petites broussailles (de moins de 75 mm de diamètre).
- Toujours tenir la tronçonneuse avec les deux mains lors de son utilisation. Tenez la tronçonneuse fermement, vos doigts entourant les poignées. La main droite doit tenir la poignée arrière et la main gauche la poignée avant.
- Avant de démarrer le produit, assurez-vous que la tronçonneuse n'est en contact avec aucun objet.
- N'apporter aucune modification à l'outil et ne pas l'utiliser avec des accessoires ou des dispositifs qui ne sont pas conseillés par le fabricant de la tronçonneuse.
- Il devrait toujours y avoir une trousse de premiers soins contenant de grands pansements et un dispositif permettant d'attirer l'attention (par ex. un sifflet) à proximité de l'utilisateur. Une trousse de premiers soins mieux fournie doit aussi se trouver à distance raisonnablement proche.
- Porter un casque en permanence lors de l'utilisation du produit. Un casque, équipé d'une visière en mesh, peut permettre de réduire le risque de blessure du visage et de la tête en cas de recul.
- Une chaîne mal tendue peut dérailler du guide-chaîne et provoquer de graves blessures potentiellement mortelles. La longueur de la chaîne varie en fonction de la température. Vérifiez fréquemment sa tension.
- Vous devriez vous familiariser avec votre nouvelle tronçonneuse en effectuant des coupes simples dans du bois bien calé. Faites-le si vous n'avez pas utilisé la tronçonneuse depuis longtemps.
- Pour réduire les risques de blessure liés au contact avec des pièces en rotation, arrêtez toujours le moteur,

bloquez le frein de la chaîne et retirez la fiche de la prise de courant. Assurez-vous que tous les éléments en mouvement se sont bien arrêtés:

- avant de laisser le produit sans surveillance
 - avant de nettoyer ou de dégager la cause d'un blocage
 - avant de mettre en place ou de retirer des accessoires
 - avant de travailler sur le produit, de le vérifier ou de l'entretenir
- La superficie de la zone de travail dépend du travail à effectuer tout autant que de la taille de l'arbre ou de la pièce à usiner. Par exemple, l'abattage d'un arbre demande une zone de travail plus importante que les autres coupes, telles que le tronçonnage, etc. L'opérateur doit être conscient de son environnement de travail et opérer un contrôle total sur tout événement pouvant s'y produire.
 - Ne coupez pas en ayant votre corps aligné avec le guide-chaîne et avec la chaîne. En cas de rebond, vous aiderez ainsi à éviter que la chaîne n'entre en contact avec votre tête ou votre corps.
 - N'effectuez pas de mouvements de sciage d'avant en arrière, laissez la chaîne faire le travail, gardez la chaîne affûtée et ne tentez pas de la pousser dans la coupe.
 - N'exercez pas de pression sur la tronçonneuse en fin de coupe. Tenez-vous prêt à supporter le poids de la tronçonneuse une fois celle-ci libérée en fin de la coupe. Le non-respect de cet avertissement peut entraîner de graves blessures.
 - N'arrêtez pas la tronçonneuse en pleine opération de coupe. Gardez la tronçonneuse en fonctionnement jusqu'à ce qu'elle soit sortie de la coupe.

Équipement de protection individuel

Un équipement de protection individuel de bonne qualité utilisé par des professionnels aide à réduire le risque de blessures infligées à l'opérateur. Les éléments suivants doivent être utilisés lorsque vous utilisez votre tronçonneuse :

Casque de sécurité

- doit être conforme à EN 397 et porter l'inscription CE

Protection auditive

- doit être conforme à EN 352-1 et porter l'inscription CE

Protection oculaire et faciale

- doit porter l'inscription CE et être conforme à EN 166 (pour les lunettes de sécurité) ou EN 1731 (pour les visières à grille)

Gants

- doit être conforme à EN381-7 et porter l'inscription CE

Protèges-jambes (jambières)

- doivent être conformes à EN381-5, porter l'inscription CE et protéger tout le tour des jambes.

Bottes de protection pour tronçonneuse

- doivent être conformes à EN ISO 20345:2004 et

porter un pictogramme de tronçonneuse indiquant la conformité à EN 381-3. (Les utilisateurs occasionnels peuvent porter des chaussures de sécurité à embouts acier et des guêtres de sécurité conformes à EN 381-9 si le sol est régulier et que le risque de trébucher ou de s'emmêler dans des broussailles est faible)

Vestes de protection du haut du corps pour tronçonneuse

- doit être conforme à EN 381-11 et porter l'inscription CE

INSTRUCTIONS CONCERNANT LES TECHNIQUES DE BASE ADÉQUATE POUR L'ABATTAGE, LE TRONÇONNAGE, ET L'ÉBRANCHAGE

Compréhension des forces présentes dans le bois

Une fois comprises les pressions directionnelles et les tensions présentes dans le bois, vous pouvez réduire les "pincement" ou au moins les prévoir en cours de coupe. Une tension dans le bois signifie que les fibres subissent une force de traction et que si vous coupez dans cette zone, le "trait de coupe" ou la coupe auront tendance à s'ouvrir à mesure que la tronçonneuse progressera. Si une bûche est soutenue par un chevalet et que son extrémité pend sans être soutenue à son extrémité, une tension se crée alors sur son dessus due au poids de la partie qui dépasse et qui étire les fibres. De la même façon, le dessous de la bûche sera comprimé et les fibres seront compressées. Si une coupe est effectuée dans cette zone, le trait de coupe aura tendance à se refermer en cours de coupe. La chaîne et le guide-chaîne s'en trouveront pincés.

Abattage d'un arbre

Voir page 273 - 274.

Lorsque des opérations de tronçonnage et d'abattage sont effectuées simultanément par deux personnes ou plus, les opérations d'abattage et de tronçonnage doivent être séparées par une distance égale à au moins deux fois la hauteur de l'arbre à abattre. Les arbres ne doivent pas être abattus d'une façon qui pourrait mettre quiconque en danger, atteindre toute conduite ou toute ligne électrique ou causer des dommages à la propriété d'autrui. En cas de contact avec toute conduite ou ligne électrique, prévenez immédiatement la compagnie d'exploitation.

Si le terrain est en pente, restez toujours en haut du terrain car l'arbre risque de rouler ou de glisser au bas de la pente une fois abattu.

Un chemin de repli doit être prévu et déblayé au besoin avant de commencer les coupes. Le chemin de repli doit s'étendre vers l'arrière et en diagonale par rapport à la ligne de chute prévue.

Avant de commencer l'abattage, prenez en compte l'inclinaison naturelle de l'arbre, la position des plus grosses branches ainsi que la direction du vent pour juger du chemin de chute de l'arbre.

Débarrassez l'arbre de la terre, des pierres, des écorces détachées, des clous, des agrafes et des câbles.

N'essayez pas d'abattre des arbres qui sont pourris ou ont été endommagés par le vent, le feu, la foudre, etc. C'est extrêmement dangereux et ne doit être réalisé que par des

arboriculteurs professionnels.

- **Entaille d'abattage**

Voir page 273 - 274.

Effectuer l'encoche sur 1/3 du diamètre de l'arbre, perpendiculairement à la direction de la chute. Commencez par l'entaille horizontale inférieure. Vous aiderez ainsi à éviter de pincer soit la chaîne ou le guide-chaîne lors de la coupe de la deuxième entaille.

- **Trait d'abattage**

Voir page 273 - 274.

Effectuez le trait d'abattage au moins 50 mm au dessus de l'entaille d'abattage horizontale. Gardez le trait d'abattage parallèle à l'entaille d'abattage horizontale. Effectuez le trait d'abattage de façon à laisser assez de bois pour que se forme une charnière. La charnière évite que l'arbre ne se vrille et chute dans la mauvaise direction. Ne coupez pas dans la charnière.

À mesure que la coupe se rapproche de la charnière, l'arbre doit commencer à tomber. S'il existe une possibilité que l'arbre ne chute pas dans la direction prévue ou qu'il bascule et coince la chaîne, arrêtez la coupe avant que le trait d'abattage ne soit terminé et utilisez des coins en bois, en plastique ou en aluminium pour ouvrir la coupe et faire tomber l'arbre le long de la ligne de chute prévue.

lorsque l'arbre commence à tomber, retirez la tronçonneuse de la coupe, arrêtez le moteur, posez la tronçonneuse, puis empruntez le chemin de repli prévu. Prenez garde à la chute de branches hautes et assurez vos pas.

Coupe des racines de contrefort

Voir page 274.

Une racine de contrefort est une grosse racine partant du tronc de l'arbre jusqu'au sol. Coupez les grosses racines avant de procéder à l'abattage. Effectuez tout d'abord une entaille horizontale dans le contrefort, puis une entaille verticale. Dégagez la partie ainsi coupée de la zone de travail. Procédez à l'abattage après avoir retiré les racines de contrefort.

Poussée et traction

La force de réaction s'exerce toujours dans la direction opposée au sens de rotation de la chaîne. L'opérateur doit donc être prêt à contrer la tendance du produit à « sursauter » (mouvement vers l'avant) lors d'une coupe au niveau du bord inférieur de la lame. Appuyez toujours la griffe contre le bois afin d'éviter un tel mouvement. Lors d'une coupe le long du bord supérieur, le produit peut être poussé vers l'arrière (vers l'opérateur). Pour éviter ceci, assurez-vous que la chaîne n'est pas bloquée lors d'une coupe le long du bord supérieur.

Tronçonneuse coincée dans la coupe

Arrêtez la tronçonneuse et sécurisez-la. Ne tentez pas de faire sortir de force la chaîne et le guide-chaîne de la coupe, vous risqueriez de provoquer le bris de la chaîne qui pourrait alors basculer en arrière et frapper l'opérateur. Cette situation arrive généralement lorsque le bois est mal soutenu et force la coupe à se resserrer sous la pression, entraînant le pincement de la chaîne et du guide-chaîne. Si

le réglage du support ne parvient pas à dégager la chaîne et le guide-chaîne, ouvrez la coupe à l'aide de coins ou d'un levier. Ne tentez jamais de mettre la tronçonneuse en marche lorsque le guide-chaîne se trouve déjà dans une coupe ou dans un trait d'abattage.

Patinage / Rebond

Lorsque la tronçonneuse n'arrive pas à s'enfoncer dans le tronc ou la branche lors d'une coupe, le guide-chaîne peut se mettre à sauter ou à déraper dangereusement sur la surface. Ceci pourrait provoquer une perte de contrôle de la tronçonneuse. Afin d'empêcher ou de limiter le patinage ou le rebond, tenez toujours la tronçonneuse avec les deux mains. Assurez-vous que la tronçonneuse forme une entaille pour la coupe.

Ne coupez jamais de branches ou de buissons souples et de petites tailles avec la tronçonneuse. Leur taille et leur souplesse peuvent facilement entraîner un rebond de la tronçonneuse dans votre direction ou la coincer avec suffisamment de force pour provoquer un rebond. Une scie à main, un sécateur et autres outils à main sont mieux adaptés à cet usage.

Coupe d'un tronçon

Voir page 275.

Le tronçonnage consiste à débiter une bûche en plusieurs tronçons. Il est important de vous assurer que votre appui au sol est ferme et que votre poids est bien réparti sur vos deux pieds. Lorsque cela est possible, la bûche doit être relevée et soutenue à l'aide de branches, de bûches ou de cales. Suivez les instructions de base pour une coupe facile. Lorsque la bûche est soutenue sur toute sa longueur, coupez-la par le dessus (tronçonnage par dessus).

Lorsque la bûche est soutenue par une extrémité, coupez 1/3 de son diamètre par le dessous (tronçonnage par dessous). Effectuez ensuite la coupe finale par le dessus en rejoignant la première coupe.

Lorsque la bûche est soutenue par ses deux extrémités, coupez 1/3 de son diamètre par le dessus (tronçonnage par dessus). Effectuez ensuite la coupe finale par le dessous aux 2/3 en rejoignant la première coupe.

Lorsque vous tronçonnez dans une pente, tenez-vous toujours en amont de la bûche. Lorsque vous atteignez la fin de la coupe, pour garder un contrôle total, relâchez la pression de coupe lorsque vous approchez de la fin de la coupe sans desserrer votre maintien des poignées de la tronçonneuse. Ne laissez pas la chaîne entrer en contact avec le sol. Une fois la coupe terminée, attendez l'arrêt complet de la chaîne avant de déplacer la tronçonneuse. Arrêtez toujours le moteur avant de passer d'un arbre à un autre.

Ébranchage d'un arbre

Voir page 276.

L'ébranchage consiste à retirer les branches d'un arbre abattu. Lorsque vous procédez à un ébranchage, laissez les plus grosses branches inférieures en place pour soulever le tronc du sol. Retirez les petites branches en une seule coupe. Les branches sous tension doivent être coupées du dessous vers le dessus afin d'éviter de coincer la tronçonneuse.

Tiges ressorts

Voir page 276.

Un fouet est une branche, souche déracinée ou un arbrisseau qui est fléchi par un autre morceau de bois, de telle sorte qu'il se détend brusquement lorsque l'on coupe ou retire le morceau de bois le retenant.

La souche déracinée d'un arbre abattu risque fortement de se détendre et de revenir en position verticale pendant la coupe pour la séparer du tronc. Attention aux fouets, ils sont dangereux. Ne tentez pas de couper des branches courbées ou des souches sous tension, à moins de n'avoir suivi un entraînement professionnel et d'en avoir les compétences.

⚠ AVERTISSEMENT

Les fouets sont dangereux car ils peuvent vous frapper et vous faire perdre le contrôle de la tronçonneuse. Ce qui peut entraîner des blessures graves ou mortelles. Ceci doit être effectué par des utilisateurs entraînés.

TRANSPORT ET STOCKAGE

Voir page 281 - 284.

- Arrêter l'appareil et le débrancher de l'alimentation. Laissez le produit refroidir suffisamment avant de le ranger ou de le transporter.
- Débarrassez l'appareil de tous les corps étrangers. Rangez-le en un endroit frais, sec et correctement ventilé, hors de portée des enfants. Ne le rangez pas à proximité d'agents corrosifs tels que des produits chimiques de jardinage ou des sels de dégel. Ne rangez pas à l'extérieur.
- Mettez le fourreau de protection du guide-chaîne en place avant de ranger l'appareil, ainsi qu'au cours de son transport.
- Pour le transport, attachez le produit pour l'empêcher de bouger ou de tomber, afin d'éviter toute blessure et tout dommage matériel.

ENTRETIEN

Gardez toujours le produit en bon état de fonctionnement.

⚠ AVERTISSEMENT

N'utilisez que des pièces détachées et accessoires d'origine constructeur. Le non-respect de cette précaution peut entraîner de mauvaises performances, des blessures, et annuler votre garantie.

⚠ AVERTISSEMENT

Les opérations d'entretien demandent un soin et des connaissances extrêmes et ne doivent être effectuées que par un technicien de service qualifié. Confier l'entretien du produit à un centre d'entretien agréé. N'utilisez que des pièces détachées identiques pour effectuer les réparations.

⚠ AVERTISSEMENT

S'assurer que le cordon d'alimentation débranchée du secteur avant d'entretenir, de nettoyer, de réparer ou d'effectuer des réglages. Le non-respect de cet avertissement peut entraîner de graves blessures.

- Vous n'êtes autorisé à effectuer que les réglages ou réparations décrits dans ce manuel. Pour les autres réparations, adressez-vous uniquement à un centre d'entretien agréé.
- Un mauvais entretien, un démontage incorrecte, la suppression ou la modification de dispositifs de sécurité tels que le frein de la chaîne, les protège-mains (à l'avant et à l'arrière), la griffe, l'attrape-chaîne, le guide-chaîne ou la chaîne à faible effet de rebond pourraient empêcher le bon fonctionnement des fonctionnalités de sécurité et, par-là, augmenter le risque de blessure grave. Veillez à la sécurité permanente du produit et confiez son entretien à un personnel qualifié.
- L'affûtage de la chaîne en toute sécurité est une opération demandant un certain savoir-faire. Le fabricant conseille donc fortement de remplacer une chaîne usée ou émoussée par une chaîne neuve, disponible auprès de votre centre d'entretien agréé. Vous pourrez trouver la référence de la pièce dans le tableau des caractéristiques présent dans ce manuel.
- Respectez les instructions concernant la lubrification, la vérification de la tension de la chaîne et son réglage.
- Après chaque utilisation, utilisez un chiffon propre et sec pour nettoyer le produit.
- Vérifiez régulièrement le bon serrage des écrous, vis et boulons pour que la tondeuse soit toujours en bon état de fonctionnement. Toute pièce endommagée doit être correctement remplacée ou réparée par un service après-vente agréé.

RISQUES RÉSIDUELS

Même lorsque le produit est utilisé selon les prescriptions, il reste impossible d'éliminer totalement certains facteurs de risque résiduels. Les dangers suivants risquent de se présenter en cours d'utilisation et l'utilisateur doit faire particulièrement attention afin d'éviter ce qui suit :

- Blessures dues aux vibrations
 - Utilisez toujours l'outil adapté au travail à effectuer. Utiliser les poignées prévues à cet effet. Limiter la durée de travail et l'exposition.
- L'exposition au bruit peut provoquer des pertes d'audition.
 - Portez une protection auditive et limitez le temps d'exposition
- Contact avec les dents exposées de la scie de la chaîne (risques de coupures).
- Mouvement brusque et imprévu ou rebond du guide-chaîne (risques de coupures).
- Projection d'éléments en provenance de la chaîne (risques de coupures/injections).
- Éléments projetés en provenance de l'élément coupé (copeaux, éclats).

- Inhalation de sciure et particules.
- La peau entre en contact avec de l'huile.

RÉDUCTION DES RISQUES

Il a été reporté que les vibrations engendrées par les outils à main peuvent contribuer à l'apparition d'un état appelé le Syndrome de Raynaud chez certaines personnes. Les symptômes peuvent comprendre des fourmillements, un engourdissement et un blanchiment des doigts, généralement par temps froid. Des facteurs héréditaires, l'exposition au froid et à l'humidité, le régime alimentaire, le tabagisme et les habitudes de travail peuvent contribuer au développement de ces symptômes. Certaines mesures peuvent être prises par l'utilisateur pour aider à réduire les effets des vibrations:

- Gardez votre corps au chaud par temps froid. Lorsque vous utilisez l'appareil, portez des gants afin de garder vos mains et vos poignets au chaud. Le temps froid est considéré comme un facteur contribuant très largement à l'apparition du Syndrome de Raynaud.
- Après chaque session de travail, pratiquez des exercices qui favorisent la circulation sanguine.
- Faites des pauses fréquentes. Limitez la quantité d'exposition journalière.
- Les gants de protection disponibles auprès des revendeurs professionnels de tronçonneuses sont spécialement destinés à l'utilisation avec une tronçonneuse, ils procurent une bonne protection et une bonne accroche, et ils réduisent également les effets des vibrations des poignées.

Si vous ressentez l'un des symptômes associés à ce syndrome, arrêtez immédiatement le travail et consultez votre médecin pour lui en faire part.

⚠ AVERTISSEMENT

L'utilisation prolongée d'un outil est susceptible de provoquer ou d'aggraver des blessures. Assurez-vous de faire des pauses de façon régulière lorsque vous utilisez tout outil de façon prolongée.

APPRENEZ À CONNAÎTRE VOTRE PRODUIT

Voir page 267.

1. Chaîne coupante
2. Guide-chaîne
3. Protège-main avant / frein de chaîne
4. Poignée avant
5. Bouton de déverrouillage de la gâchette
6. Poignée arrière
7. Patin d'ébranchage
8. Bouchon du réservoir d'huile
9. Accroche-câble
10. Interrupteur
11. Carter de pignon
12. Tension de la chaîne / Bouton de verrouillage du guide-chaîne
13. Fourreau de guide-chaîne
14. Attrape-chaîne

ÉLÉMENTS DE SÉCURITÉ

Chaîne à faible tendance au rebond

Une chaîne à faible rebond aide à réduire la possibilité qu'un rebond se produise.

Les limiteurs de profondeur situés à l'avant de chaque dent peuvent réduire la force de l'effet de rebond en évitant que les dents ne s'enfoncent trop profondément dans la zone de rebond. N'utilisez que les combinaisons de chaînes et guides-chaînes recommandés par le fabricant.

Redoublez de vigilance après avoir aiguisé la chaîne de votre tronçonneuse, car l'aiguillage rend la chaîne moins résistante au rebond. Pour votre sécurité, remplacez les chaînes des tronçonneuses lorsque leurs performances de coupe diminuent.

Patin d'ébranchage

Tout le patin d'ébranchage peut être utilisé comme pivot lors d'une coupe. Cela aide à garder le corps de la tronçonneuse stable en cours de coupe. Lors de la coupe, poussez la machine vers l'avant jusqu'à ce que les pointes s'enfoncent dans le bord du bois, puis en déplaçant la poignée arrière vers le bas et vers le haut dans le sens du trait de coupe, facilitez la libération des efforts de coupe.

Guide-chaîne

En général, les guides-chaîne dont l'embout a un petit rayon sont moins susceptibles de provoquer un rebond. Vous devriez utiliser un guide-chaîne et une chaîne juste assez longs pour le travail à effectuer. Des guides-chaînes plus longs augmentent le risque de perte de contrôle en cours de coupe. Vérifiez régulièrement la tension de la chaîne. Lors de la coupe de branches courtes (plus courtes que le guide-chaîne) la chaîne a plus de chances de se faire éjecter si la tension n'est pas correcte.

Frein de chaîne

Le frein de chaîne a été conçu pour permettre d'arrêter rapidement la chaîne de tourner. La chaîne doit s'arrêter immédiatement lorsque le levier du frein / protège-main est poussé vers l'avant. Un frein de chaîne n'empêche pas l'effet de rebond. Il ne fait que diminuer le risque de blessures en cas de contact du guide-chaîne avec le corps de l'opérateur en cas de rebond. Le frein de chaîne doit être testé avant chaque utilisation afin de vérifier son bon fonctionnement à la fois en position de fonctionnement et en position de frein.

Attrape-chaîne

Un bloqueur empêche la chaîne de reculer vers l'opérateur si elle se détend ou se casse.

MONTAGE

⚠ AVERTISSEMENT

Si une quelconque pièce ou partie de ce produit est manquante ou endommagée, ne l'utilisez pas avant d'avoir changé la pièce. Le non-respect de cet avertissement pourrait entraîner de graves blessures.

MONTAGE DE LA CHAÎNE ET DU GUIDE-CHAÎNE

Voir page 268 - 269.

1. Débranchez la fiche secteur. Portez des gants de protection.
2. Dévissez le bouton de verrouillage du guide-chaîne puis retirez le carter de pignon.
3. La chaîne doit être orientée vers son sens de rotation. Si elle est orientée dans le sens inverse, retournez la boucle que vous avez formée.
4. Placez les maillons d'entraînement dans la rainure du guide.
5. Positionnez la chaîne de façon à former une boucle à l'arrière du guide.
6. Maintenez la chaîne en place sur le guide-chaîne et enroulez la boucle autour du pignon. Abaissez le guide-chaîne de façon que le boulon puisse passer dans le trou du tendeur de chaîne attendant.
7. Remplacez le carter de pignon et serrez la molette de verrouillage de la barre de guidage/tension de chaîne en la tournant dans le sens horaire jusqu'à ce qu'elle s'enclenche. Vérifiez régulièrement la tension de la chaîne.
La tension est correcte lorsque le jeu entre les dents de la chaîne et le guide-chaîne est de 3 mm à 4 mm. Tirez la chaîne vers le bas au niveau du milieu de la partie inférieure du guide-chaîne (de façon à l'éloigner du guide-chaîne) et mesurez la distance entre le guide-chaîne et les dents de la chaîne.
8. Serrez et verrouillez la molette de verrouillage de la barre de guidage/tension de la chaîne en la tournant dans le sens horaire.

RÉGLAGE DE LA TENSION DE LA CHAÎNE

Voir page 279.

1. Débranchez le produit de la prise secteur. Portez des gants de protection.
2. Pour corriger la tension de la chaîne, desserrez complètement la molette de verrouillage de la barre de guidage/tension de chaîne en la tournant dans le sens horaire jusqu'à ce qu'elle s'enclenche. Vérifiez régulièrement la tension de la chaîne.
La tension est correcte lorsque le jeu entre les dents de la chaîne et le guide-chaîne est de 3 mm à 4 mm. Tirez la chaîne vers le bas au niveau du milieu de la partie inférieure du guide-chaîne (de façon à l'éloigner du guide-chaîne) et mesurez la distance entre le guide-chaîne et les dents de la chaîne.
3. Serrez et verrouillez la molette de verrouillage de la barre de guidage/tension de la chaîne en la tournant dans le sens horaire.

REMARQUE: S'assurer que la barre de guidage et le tendeur de chaîne se déplacent librement, sans saleté, et que la chaîne de la tronçonneuse est correctement enroulée autour du pignon. En cas de tension excessive ou insuffisante de la chaîne après verrouillage de la molette de verrouillage de la barre de guidage/de la tension de la chaîne, vérifiez que la barre de guidage et le tendeur de chaîne sont propres et correctement assemblés.

Si nécessaire, retirez le couvercle du pignon et la barre de guidage à des fins de nettoyage, puis réassemblez les pièces.

UTILISATION

AJOUT D'HUILE DE LUBRIFICATION DE CHAÎNE

Voir page 269.

⚠ AVERTISSEMENT

Ne travaillez jamais sans huile de chaîne. Si la chaîne tourne sans lubrifiant, cela peut endommager la chaîne et le guide-chaîne. Il est essentiel de vérifier fréquemment le niveau d'huile dans la jauge de niveau d'huile, ainsi qu'avant toute utilisation de la tronçonneuse.

1. Nettoyez la surface autour du bouchon d'huile pour éviter toute contamination.
2. Dévissez et retirez le bouchon du réservoir d'huile.
3. Versez l'huile dans le réservoir d'huile et vérifiez la jauge de niveau d'huile. Prenez garde de ne pas faire pénétrer de saletés dans le réservoir d'huile lors de son remplissage.
4. Remettez le bouchon d'huile en place et serrez-le. Essayez toute huile renversée.
5. Un réservoir d'huile plein vous permet d'utiliser la tronçonneuse pendant 12 - 18 minutes.

MAINTENIR LA TRONÇONNEUSE

Voir page 269.

Tenez toujours la tondeuse avec votre main droite sur la poignée arrière et votre main gauche sur la poignée avant. Agrippez les deux poignées de façon que vos pouces et vos doigts les encerclent. Assurez-vous que votre main gauche tient la poignée avant de telle façon que votre pouce se trouve en dessous.

⚠ AVERTISSEMENT

Gardez toujours le câble d'alimentation bien en ordre et éloigné de la zone de coupe. En plus des dangers d'électrocution qu'ils présentent, les câbles en désordre peuvent provoquer des trébuchements et des chutes.

DÉMARRAGE DE LA TRONÇONNEUSE

Voir page 269.

1. Connecter le produit à une prise électrique. Assurez-vous que le frein de chaîne est en position RUN en tirant le levier/protège-main vers l'arrière.
2. Pour démarrer le produit : Appuyer sur le système de libération du déclencheur, puis appuyer sur le déclencheur de marche/arrêt.

VÉRIFICATION ET UTILISATION DU FREIN DE CHAÎNE

1. Actionnez le frein de chaîne en faisant tourner votre main gauche autour de la poignée avant. À l'aide du dos de votre main, poussez le levier du frein de chaîne/ sur le protège-mains en direction du guide-chaîne alors que la chaîne est en rotation rapide. La chaîne doit s'arrêter de tourner immédiatement. Assurez-vous de maintenir les poignées de la tronçonneuse des deux mains en permanence.
2. Remettez le frein de chaîne en position Run (fonctionnement) en saisissant la partie supérieure

du levier de frein/protège-mains et en le tirant vers la poignée avant jusqu'à entendre un clic.

⚠ AVERTISSEMENT

Si le frein de la chaîne n'arrête pas la chaîne immédiatement, ou si le frein de la chaîne ne reste pas en position de marche (run) sans assistance, apporter l'outil dans un centre d'entretien agréé afin de le faire réparer avant la prochaine utilisation.

REEMPLACEMENT LA BARRE DE GUIDAGE ET LA CHAÎNE DE LA TRONÇONNEUSE

Voir page 277 - 278.

1. Débranchez le produit de la prise secteur. Portez des gants de protection.
2. Déverrouillez la molette de verrouillage de la barre de guidage/tension de la chaîne en la tournant dans le sens anti-horaire jusqu'à ce que le carter de pignon se desserre.
3. Retirez le carter de pignon. Retirez le guide-chaîne ainsi que la chaîne de l'outil.
4. Déposez la vis maintenant la barre de guidage sur le bloc tendeur de la chaîne. Éliminez correctement la barre et la chaîne usagées.
5. Montez le tendeur de chaîne sur la nouvelle barre et serrez les vis. Mettez la nouvelle chaîne en place sur le guide-chaîne (dans le bon sens) et assurez-vous que les maillons d'entraînement sont bien alignés dans la rainure du guide-chaîne.
6. Assemblez le guide-chaîne sur la tronçonneuse puis passez la chaîne autour du pignon d'entraînement. Remettez le carter de pignon en place.
7. Serrez et verrouillez la molette de verrouillage de la barre de guidage/tension de la chaîne en la tournant dans le sens horaire.

La tension est correcte lorsque le jeu entre les dents de la chaîne et le guide-chaîne est de 3 mm à 4 mm. Tirez la chaîne vers le bas au niveau du milieu de la partie inférieure du guide-chaîne (de façon à l'éloigner du guide-chaîne) et mesurez la distance entre le guide-chaîne et les dents de la chaîne.

Réglez la tension de la chaîne. Reportez-vous au chapitre « Réglage de la tension de la chaîne ».

⚠ AVERTISSEMENT

Un mauvais aiguisage de la chaîne augmente le risque de rebond.

⚠ AVERTISSEMENT

Si vous ne remplacez pas ou ne réparez pas une chaîne endommagée, vous vous exposez à des risques de blessures corporelles graves.

⚠ AVERTISSEMENT

La chaîne est très coupante. Portez toujours des gants de protection lorsque vous assurez son entretien.

VÉRIFICATION ET NETTOYAGE DU FREIN DE CHAÎNE

Voir page 280.

- Gardez toujours le mécanisme de frein de chaîne propre en en brossant légèrement l'accouplement pour en retirer la saleté.
- Testez toujours l'efficacité du frein de chaîne après l'avoir nettoyé. Pour plus d'informations, consulter la section « Fonctionnement - Vérification et utilisation du frein de la chaîne » dans ce manuel.

PÉRIODICITÉ D'ENTRETIEN

| Vérification quotidienne | |
|--|---|
| Câble d'alimentation pour vérifier qu'il n'est pas endommagé | Avant chaque utilisation |
| Lubrification du guide | Avant chaque utilisation |
| Tension de la chaîne | Avant chaque utilisation et fréquemment |
| Affûtage de la chaîne | Avant chaque utilisation, vérification visuelle |
| Pièces éventuellement endommagées | Avant chaque utilisation |
| Attaches mal serrées | Avant chaque utilisation |
| Le bon fonctionnement du frein de chaîne | Avant chaque utilisation |
| Vérification et nettoyage | |
| Guide-chaîne | Avant chaque utilisation |
| Tronçonneuse dans son ensemble | Après chaque utilisation |
| Frein de chaîne | Toutes les 5 heures* |

*Heures de fonctionnement

SYMBOLES APPLIQUÉS SUR LE PRODUIT



Alerte de sécurité



Afin de réduire les risques de blessures, il est indispensable de bien lire et de bien comprendre le présent manuel d'utilisation avant d'utiliser cet outil.



Portez une protection oculaire et auditive ainsi qu'un casque



Portez des chaussures de sécurité antidérapantes lorsque vous utilisez le produit.



Portez des gants de protection solides et antidérapants.



Débranchez immédiatement la fiche secteur avant l'entretien ou si le câble est endommagé ou coupé.



Prenez garde au phénomène de rebond de la tronçonneuse et évitez le contact avec l'extrémité du guide-chaîne.



N'exposez pas ce produit à la pluie ou à des conditions humides.



Tenez et utilisez votre tronçonneuse avec vos deux mains.



N'utilisez pas votre tronçonneuse en la tenant avec une seule main.



Cet outil est conforme à l'ensemble des normes réglementaires du pays de l'UE où il a été acheté.



Marque de qualité EurAsian



Outil de Classe II, isolation double



Marque de conformité ukrainienne



Les produits électriques hors d'usage ne doivent pas être jetés avec les ordures ménagères. Recyclez-les par l'intermédiaire des structures disponibles. Contactez les autorités locales ou votre distributeur pour vous renseigner sur les conditions de recyclage.



Le niveau de puissance sonore garanti est de 104 dB (RCS1935B)



Le niveau de puissance sonore garanti est de 105 dB (RCS2340B)



Lubrifiant pour chaîne et guide-chaîne



Frein de chaîne

Tournez la molette de façon à verrouiller ou à déverrouiller la barre de guidage.



Verrouillage



Déverrouillage



Sens de déplacement de la chaîne. (Indiqué sous le carter de chaîne)

SYMBOLES DE CE MANUEL



Branchez sur le secteur.



Débranchez du secteur.



Pièces détachées et accessoires vendus séparément



Remarque



AVERTISSEMENT



Portez une protection oculaire et faciale.



Portez une protection du haut du corps.



Portez une protection des jambes.



Arrêtez l'appareil.

Les symboles suivants, et les noms qui leur sont associés, permettent d'expliquer les différents niveaux de risques liés à l'utilisation de cet outil.

⚠ DANGER

Imminence d'un danger qui, si l'on n'y prend garde, peut entraîner la mort ou des blessures graves.

⚠ AVERTISSEMENT

Situation potentiellement dangereuse qui, si l'on n'y prend garde, peut entraîner la mort ou des blessures graves.

⚠ MISE EN GARDE

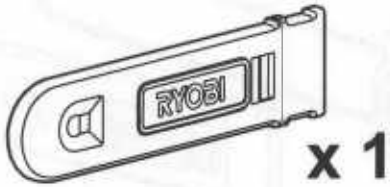
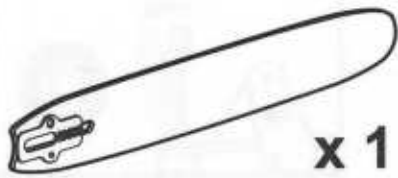
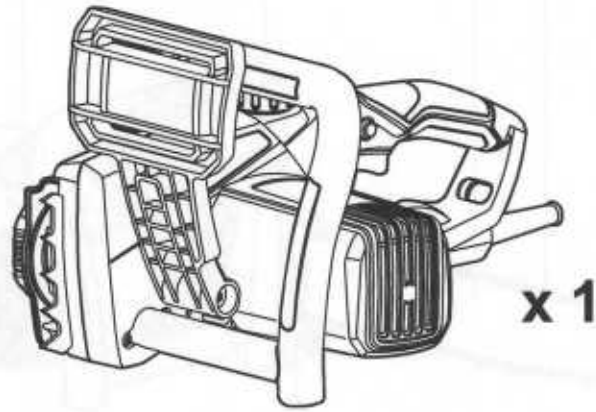
Situation potentiellement dangereuse qui, si l'on n'y prend garde, peut entraîner des blessures moyennes ou légères.

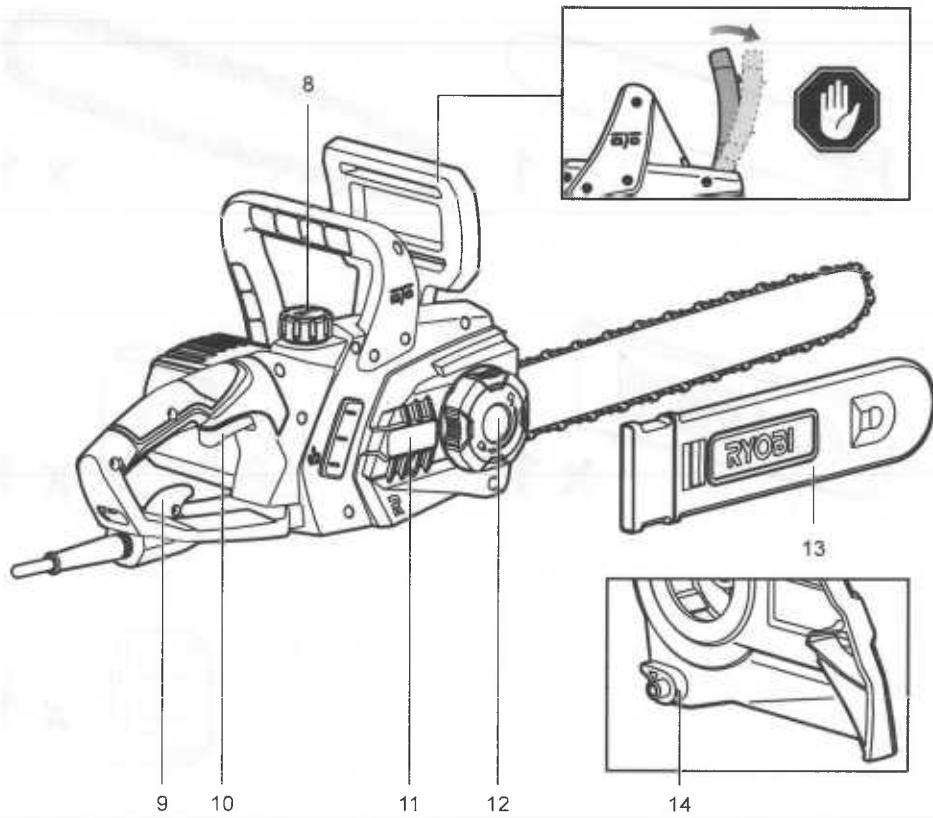
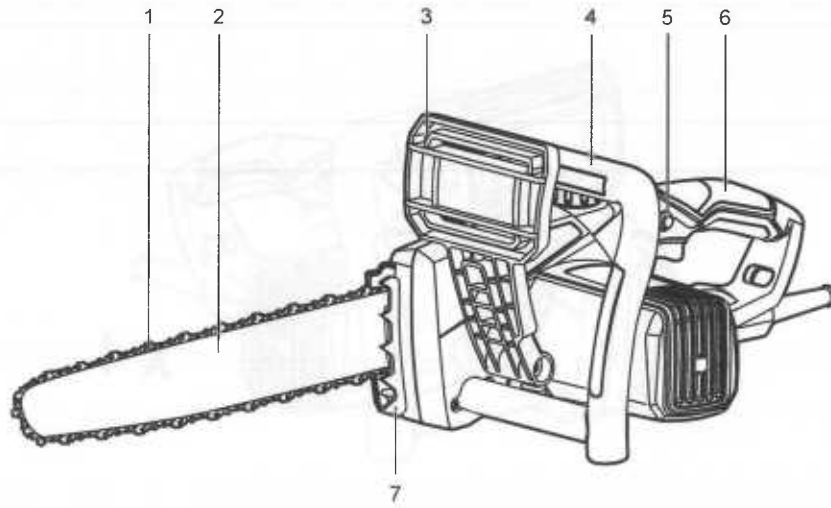
MISE EN GARDE

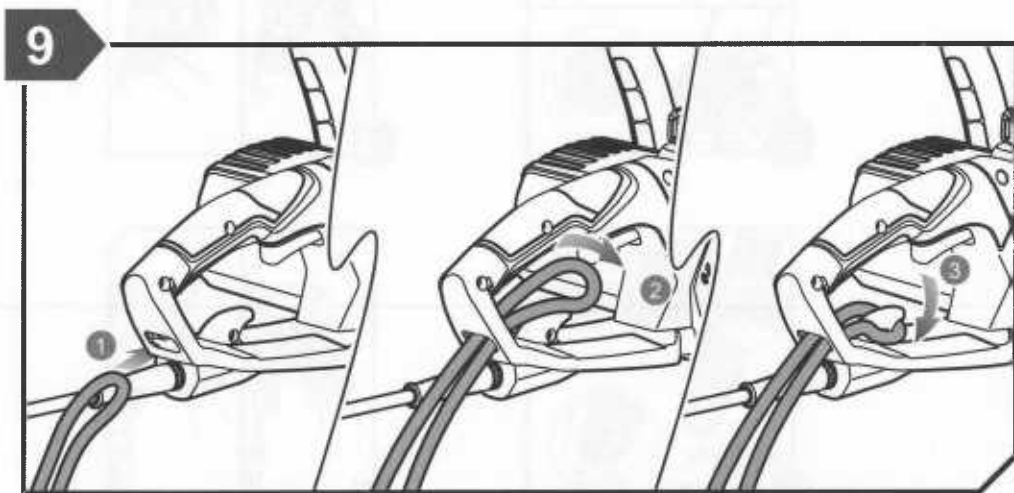
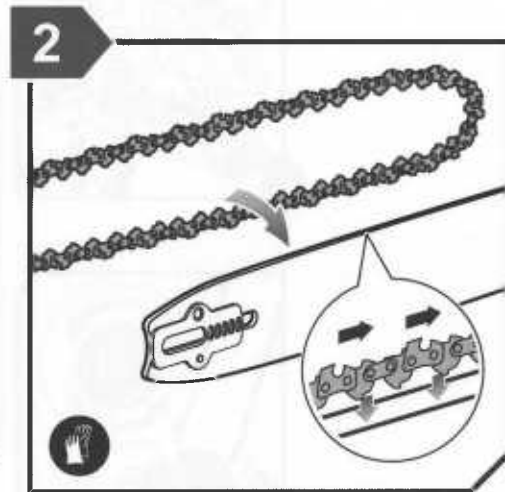
Sans symbole d'alerte de sécurité

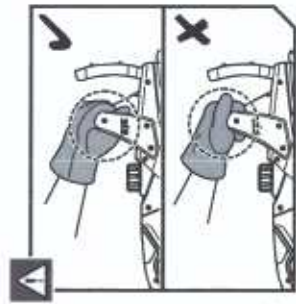
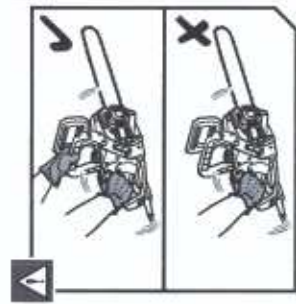
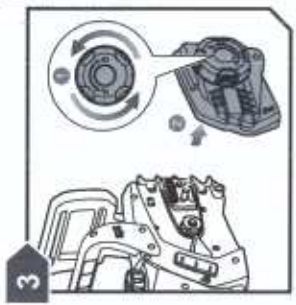
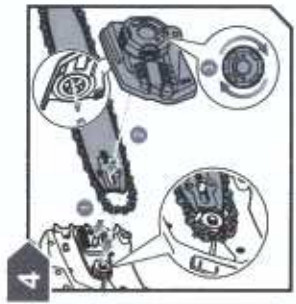
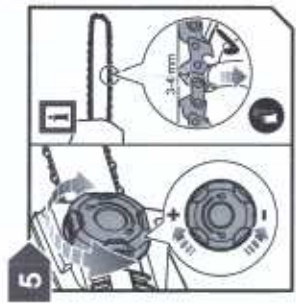
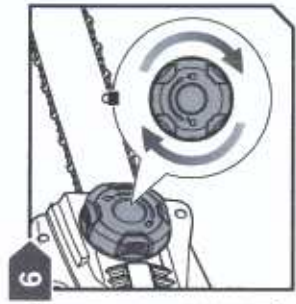
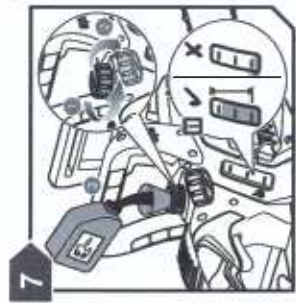
Indique une situation pouvant entraîner des dommages matériels.

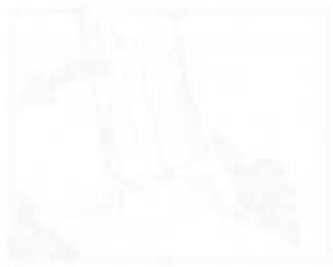
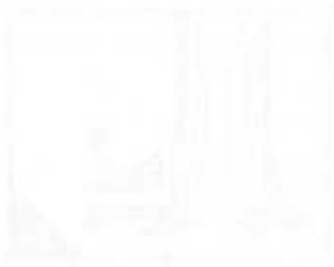
EN
FR
DE
ES
IT
NL
PT
DA
SV
FI
NO
HU
PL
CZ
HU
RO
SK
LT
ET
HR
SL
SK
NO
UK
TR

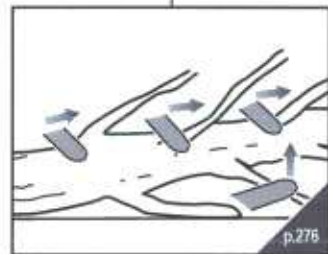
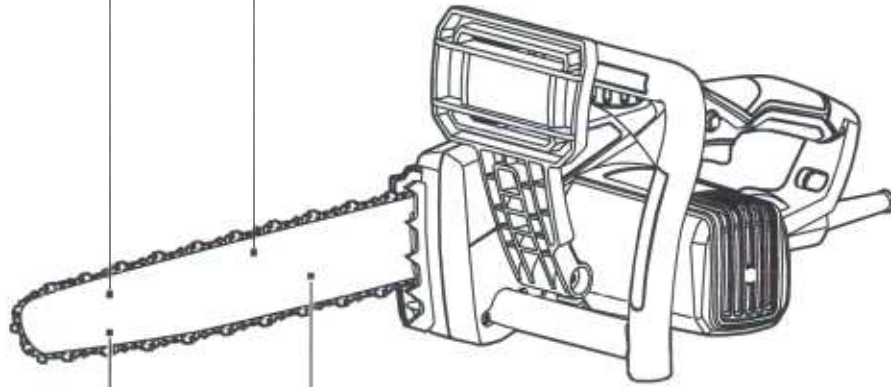
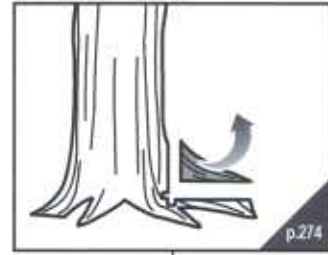
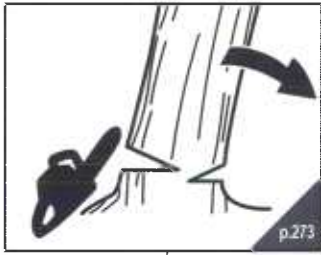


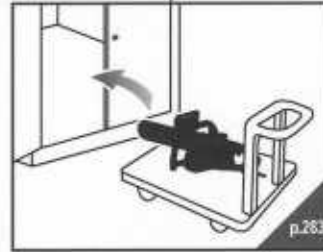
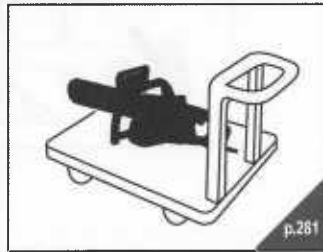
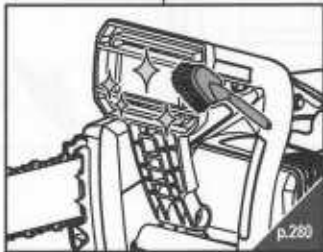
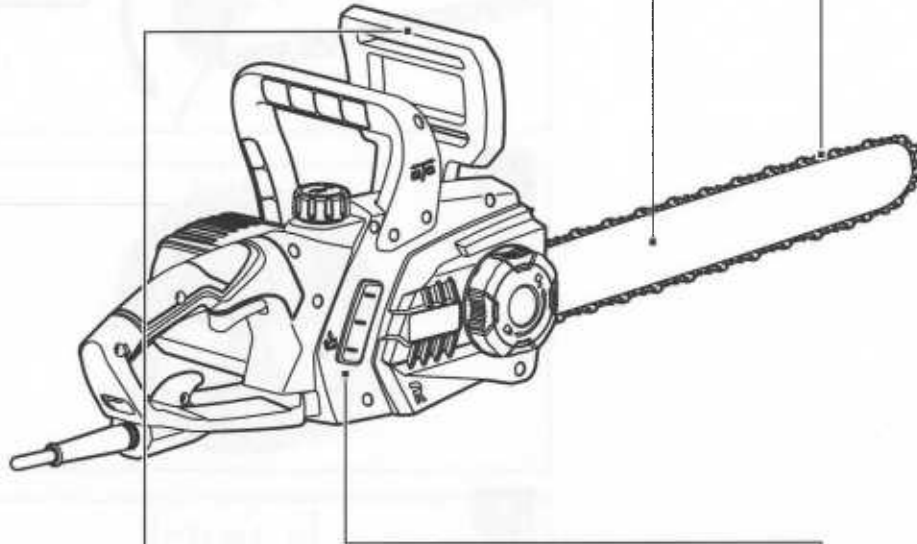
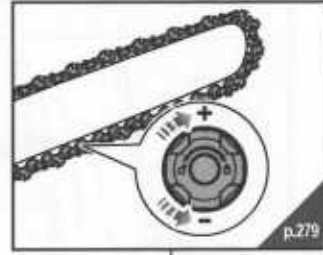
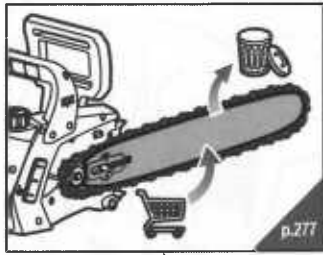


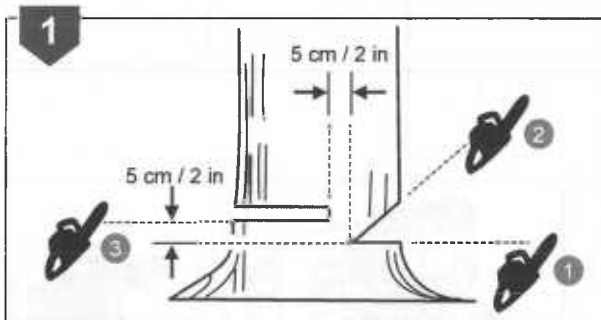
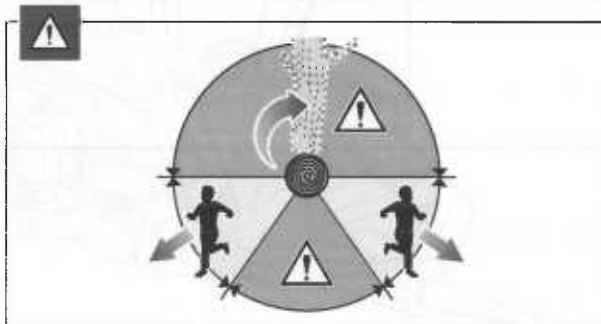
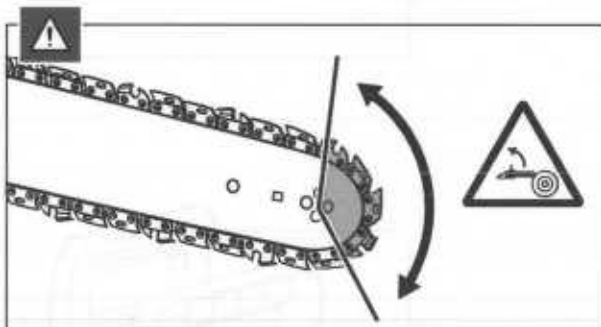
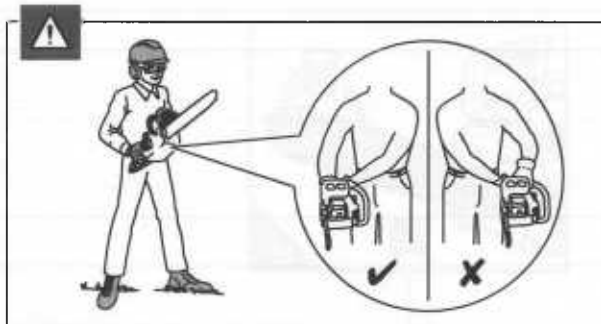
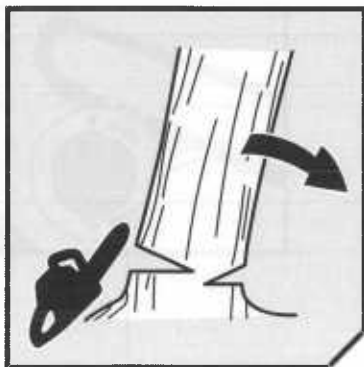


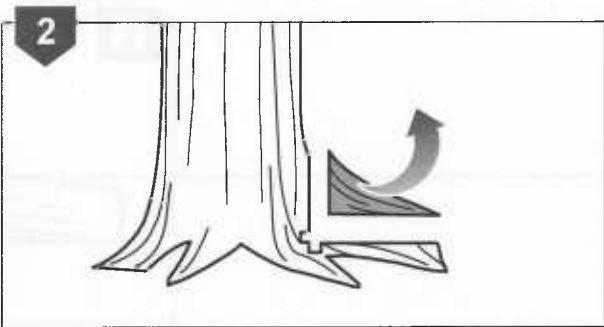
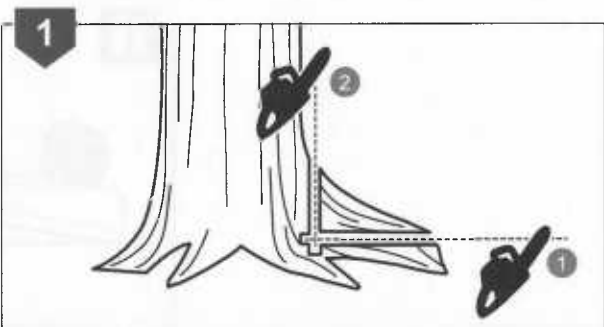
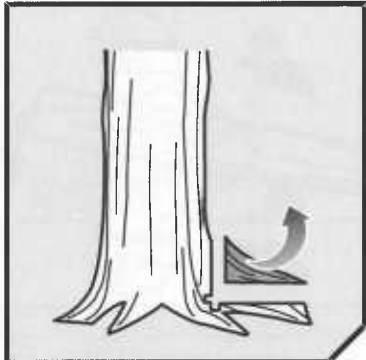
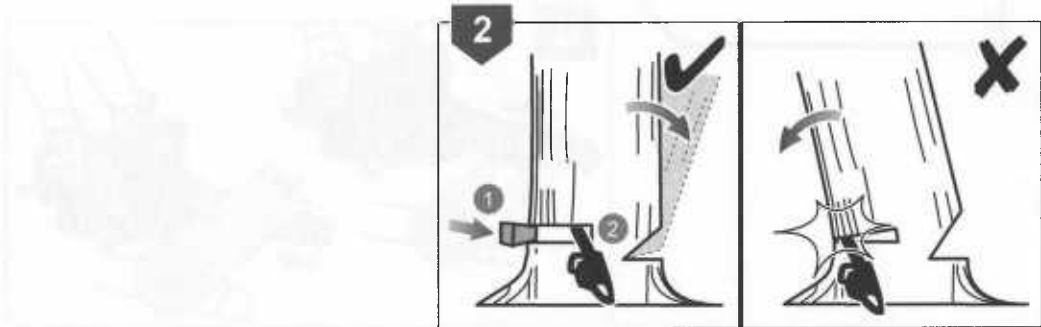
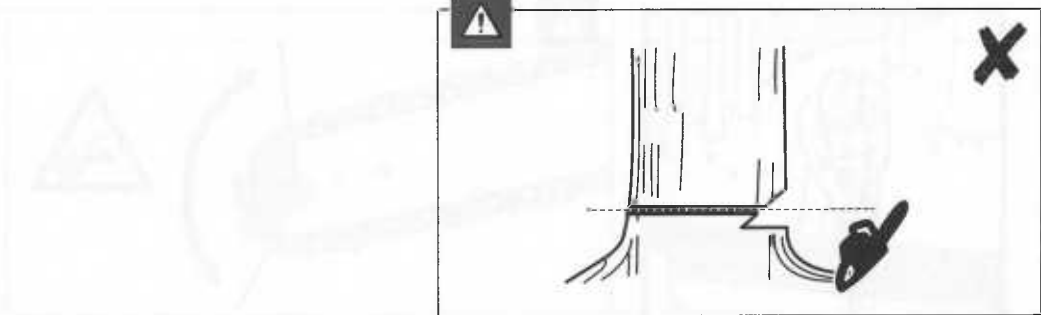


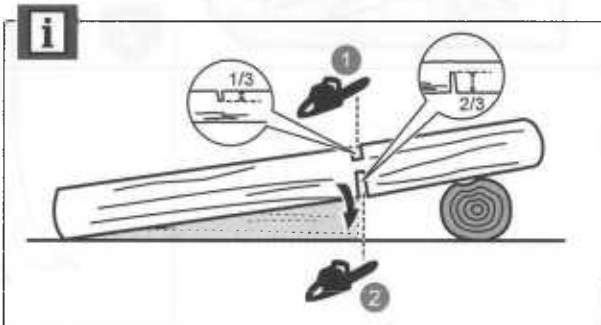
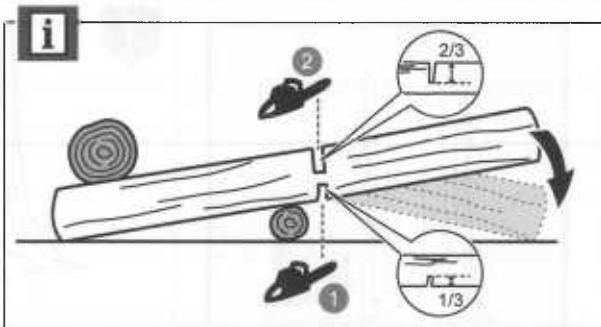
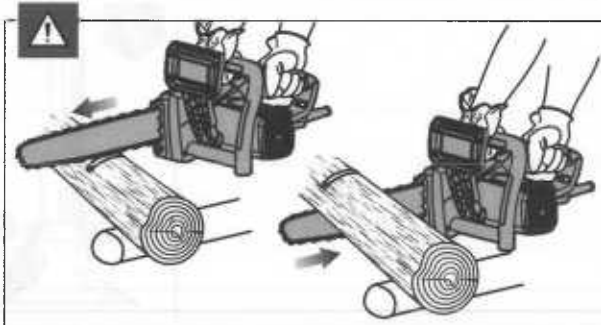
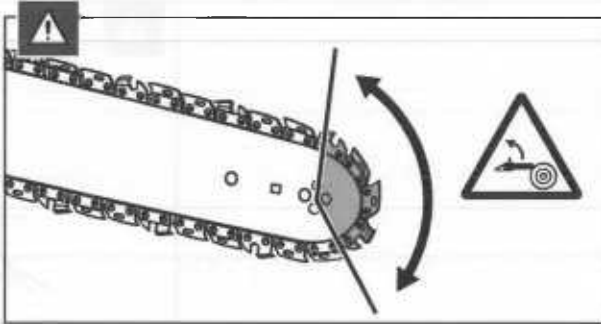


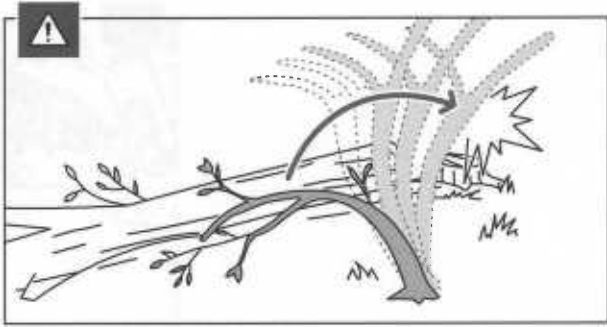
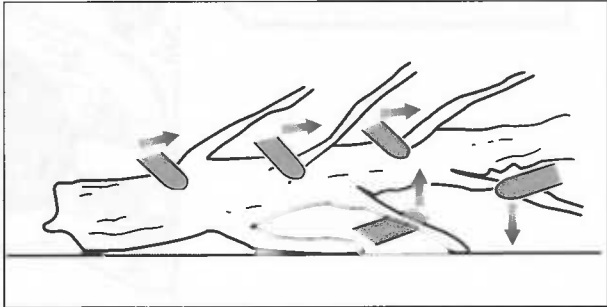
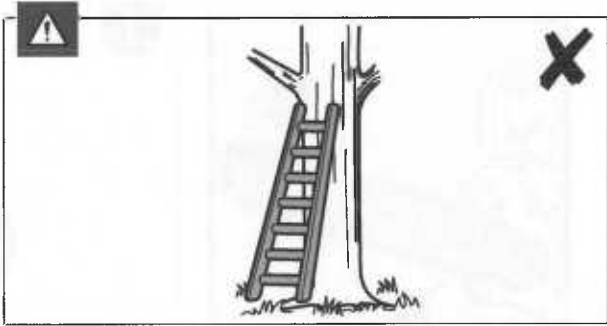
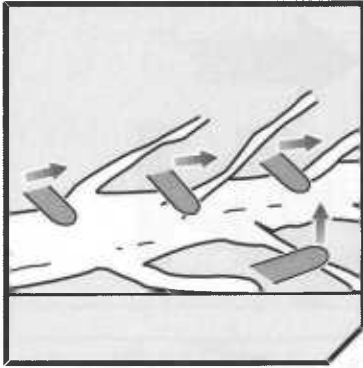


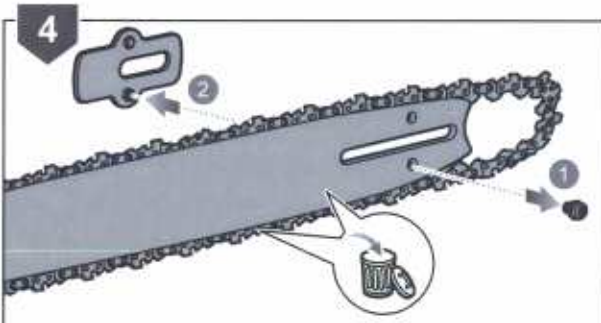
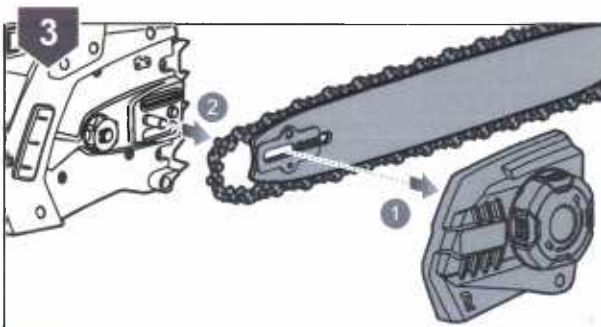
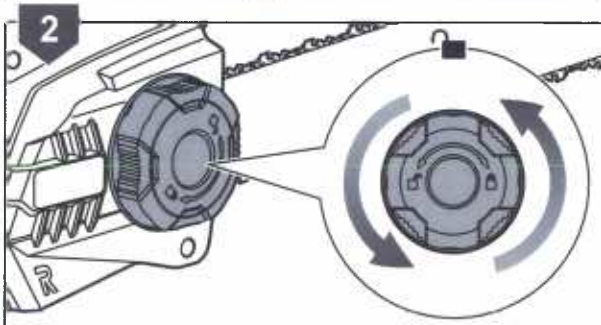
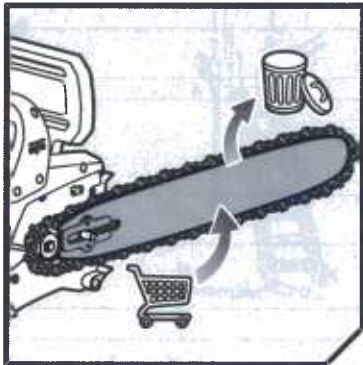


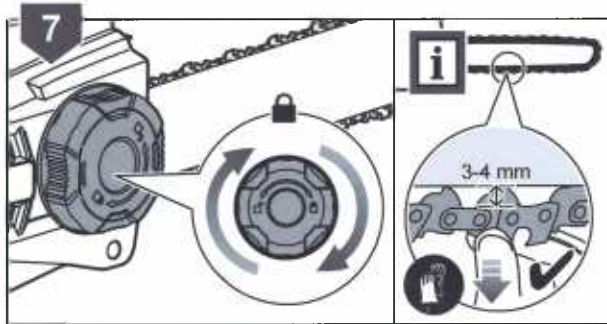
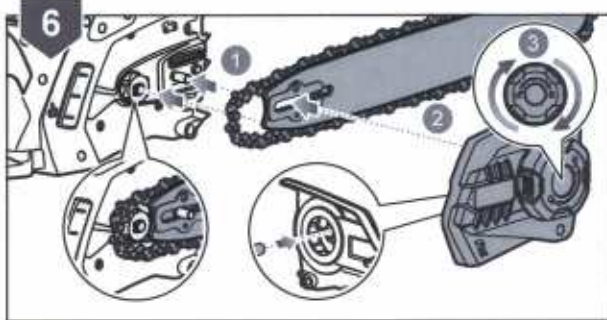
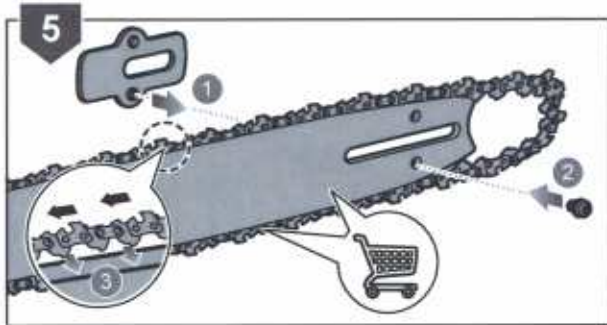


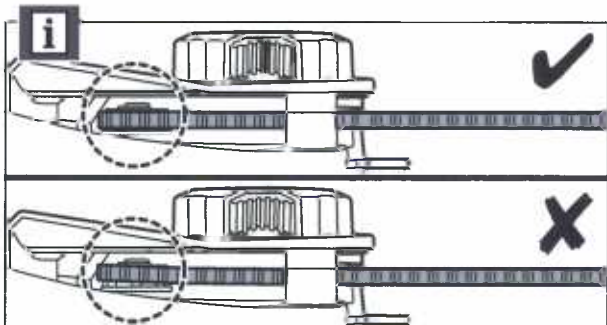
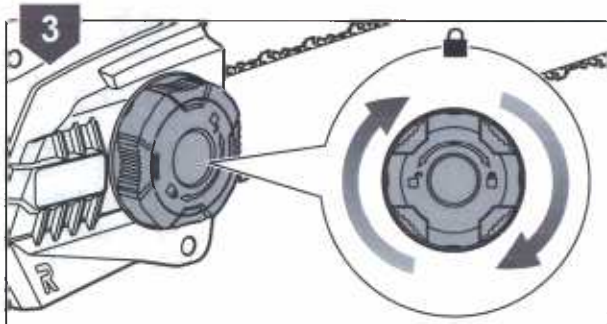
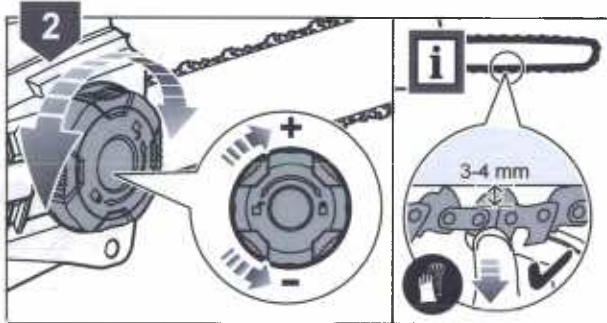
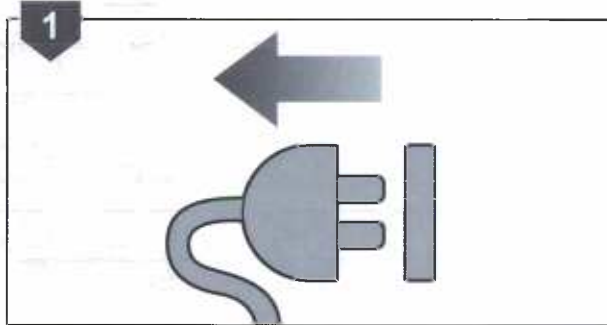
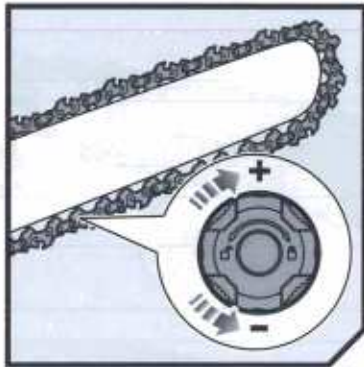


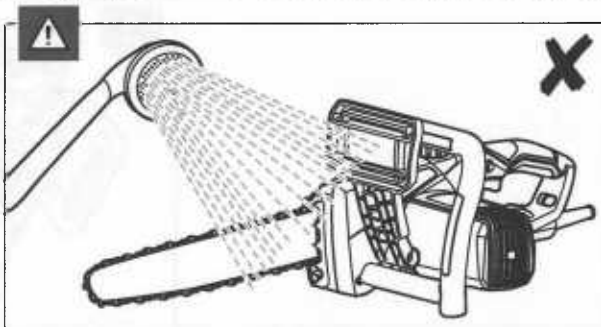
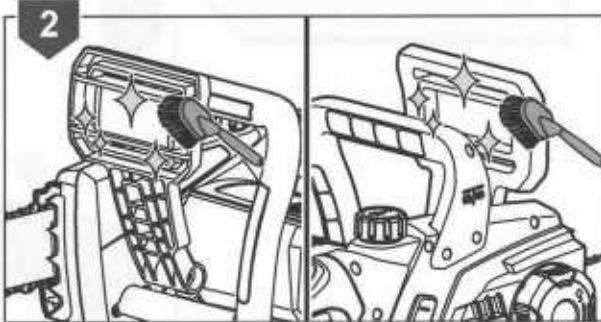
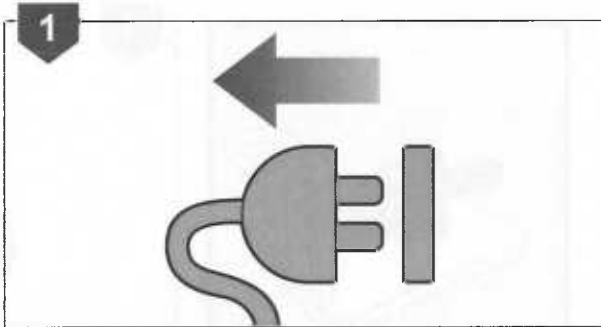
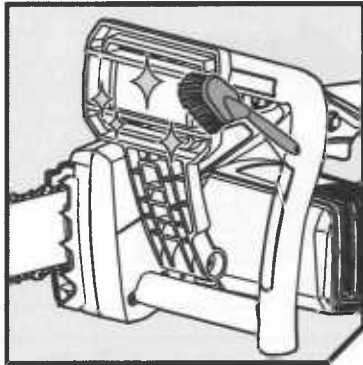


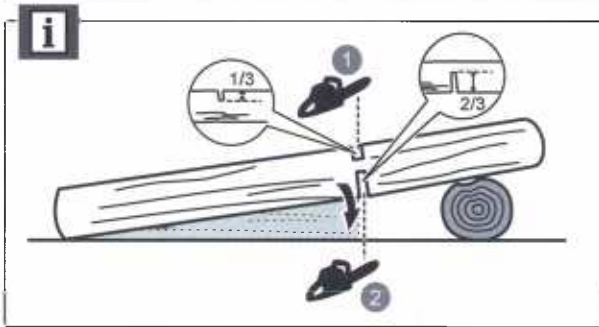
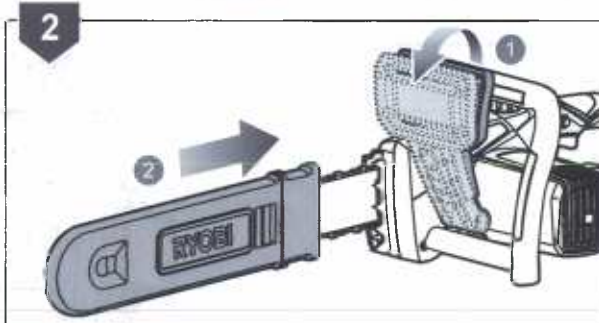
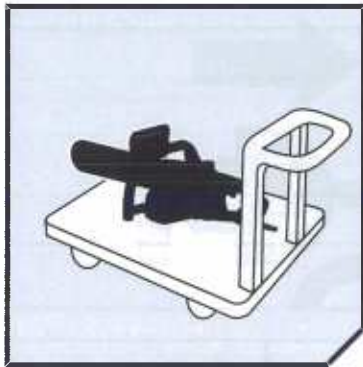


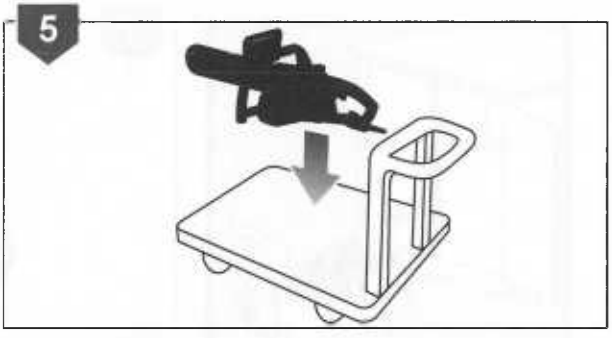


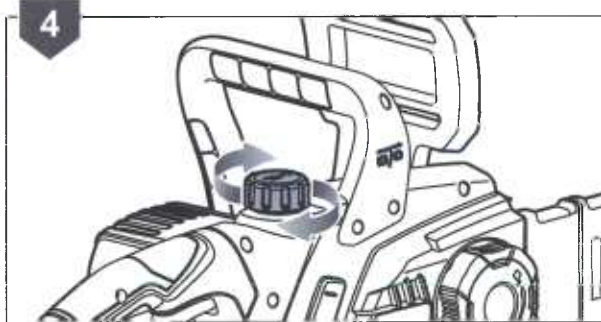
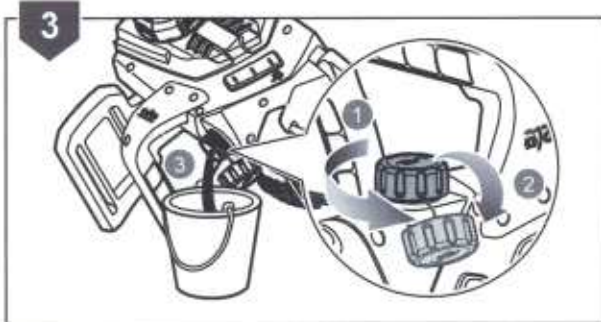
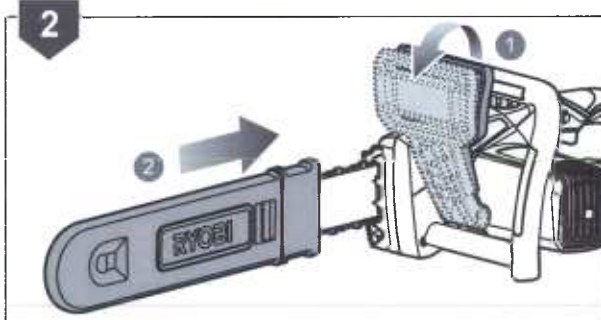
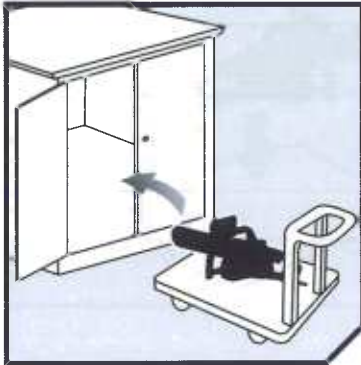


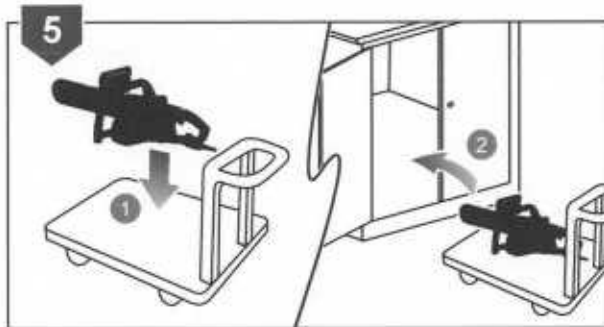














| English | Français | Deutsch | Español | Italiano |
|--|--|---|--|---|
| Product specifications | Caractéristiques produit | Produkt-Spezifikationen | Características del producto | Caratteristiche del prodotto |
| Model | Modèle | Modell | Modelo | Modello |
| Rated power | Puissance nominale | Nennleistung | Potencia nominal | Potenza nominale |
| Rated voltage | Tension nominale | Nennspannung | Tensión nominal | Voltaggio nominale |
| Guide bar length | Longueur du guide-chaîne | Länge der Führungsschiene | Longitud de la barra guía | Lunghezza barra di guida |
| Usable cutting length | Longueur de coupe utile | Anwendbare Schnittlänge | Largo de corte | Lunghezza di taglio disponibile |
| Chain brake stop | Arrêt du frein de chaîne | Kettenbremsanschlag | Tope del freno de cadena | Arresto del freno della catena |
| Chain oil tank capacity | Contenance du réservoir d'huile de chaîne | Kettenöltankkapazität | Capacidad del depósito de aceite de la cadena | Capacità serbatoio olio catena |
| Weight (with guide bar, chain and empty tank) | Poids (avec chaîne, guide-chaîne et réservoir vide) | Gewicht (mit Schwert, Kette und leerem Tank) | Peso (con barra guía, cadena y depósito vacío) | Peso (con barra di guida, catena e serbatoio vuoto) |
| Vibration level | Niveau de vibration | Vibrationsgrad | Nivel de vibración | Livello di vibrazioni |
| Front handle | Poignée avant | Vorderer Haltegriff | Mango delantero | Manico anteriore |
| Rear handle | Poignée arrière | Hintere Haltegriff | Mango trasero | Manico posteriore |
| Uncertainty of measurement | Incertitude de la mesure | Unsicherheit der Messung | Incertidumbre de medición | Incertezza delle misurazioni |
| Noise emission level (in accordance with EN 60745-1 and EN 60745-2-13) | Niveau d'émission sonore (selon EN 60745-1; EN 60745-2-13) | Schallenergiepegel (gemäß EN 60745-1; EN 60745-2-13) | Nivel de emisión de ruido (de acuerdo con EN 60745-1; EN 60745-2-13) | Livello di emissione rumore (in accordo con la direttiva EN 60745-1; EN 60745-2-13) |
| A-weighted sound pressure level at operator's position | Niveau de pression sonore pondéré-A au niveau de l'opérateur | A-bewerteter Schalldruckpegel an der Position des Anwenders | Nivel de presión sonora ponderado A en la posición del operario | Livello di pressione sonora ponderata A alla posizione dell'operatore |
| Uncertainty of measurement | Incertitude de la mesure | Unsicherheit der Messung | Incertidumbre de medición | Incertezza delle misurazioni |
| A-weighted sound power level | Niveau de puissance sonore pondéré-A | A-bewerteter Schallleistungspegel | Nivel de potencia acústica ponderada en A | Livello di potenza sonora pesato A |
| Uncertainty of measurement | Incertitude de la mesure | Unsicherheit der Messung | Incertidumbre de medición | Incertezza delle misurazioni |

| Replacement Part (Bar and Chain) | Pièces de Rechange (Guide-chaîne et chaîne) | Ersatzteile (Schiene und Kette) | Piezas de repuesto (Barra y cadena) | Parti di ricambio (Barra e catena) |
|----------------------------------|---|---------------------------------|-------------------------------------|------------------------------------|
| Model | Modèle | Modell | Modelo | Modello |
| Manufacturer | Fabricant | Hersteller | Fabricante | Ditta produttrice |
| Chain | Chaîne coupante | Kette | Cadena | Catena |
| Bar | Guide-chaîne | Führungsschiene | Barra | Barra |

| Nederlands | Português | Dansk | | |
|---|---|---|----------------------|----------------------|
| Productgegevens | Características do aparelho | Produktspecifikationer | | |
| Model | Modelo | Model | RCS1935B | RCS2340B |
| Nominaal vermogen | Potência nominal | Mærkeeffekt | 1900W | 2300W |
| Toegekende spanning | Tensão nominal | Mærkespænding | 230-240V ~50Hz | |
| Zwaardlengte | Comprimento da lâmina-guia | Sværdets længde | 356 mm (14") | 406 mm (16") |
| Bruikbare zaaglengte | Comprimento de corte útil | Anvendelig skærer længde | 340 mm (13") | 380 mm (15") |
| Kettingrem stopzetten | Travão da correia | Kædebremseslop | <0.12 s | |
| Kettingolietankcapaciteit | Capacidade do depósito do óleo da corrente | Kædeolietank-kapacitet | 150 ml | |
| Gewicht (met zwaard, ketting en lege tank) | Peso (com barra guia, corrente e depósito vazio) | Vægt (med sværd, kæde og tom tank) | 4.7 kg | 4.8 kg |
| Trillingsniveau | Nível de vibração | Vibrationsniveau | | |
| Voorste handvat | Pega frontal | Forhåndtag | 3,1 m/s ² | 6,0 m/s ² |
| Achterste handvat | Pega traseira | Baghåndtag | 5,0 m/s ² | 9,4 m/s ² |
| Onzekerheid bij meting | Incerteza de medições | Målingsusikkerhed | 1,5 m/s ² | |
| Geluidsemissieniveau (in overeenstemming met EN 60745-1; EN 60745-2-13) | Nível de emissão de ruído (em conformidade com EN 60745-1; EN 60745-2-13) | Sløjmissionsniveau (iht. EN 60745-1, EN 60745-2-13) | | |
| A-gewogen geluidsdrukniveau bij positie van gebruiker | Nível de pressão sonora ponderada A na posição do operador | A-vægtet lydtryksniveau ved operatørens position | 92 dB(A) | 93 dB(A) |
| Onzekerheid bij meting | Incerteza de medições | Målingsusikkerhed | 3 dB(A) | |
| A-gewogen geluidsniveau | Nível de potência sonora ponderada A | A-vægtet lydeffektniveau | 103 dB(A) | 104 dB(A) |
| Onzekerheid bij meting | Incerteza de medições | Målingsusikkerhed | 3 dB(A) | |

| Vervangonderdelen (Ketting en zwaard) | Peças de substituição (Barra e corrente) | Reservedele (Sværd og kæde) | | | | |
|---------------------------------------|--|-----------------------------|------------|--------|------------|--------|
| Model | Modelo | Model | RCS1935B | | RCS2340B | |
| Fabrikant | Fabricante | Producent | OREGON | RYOBI | OREGON | RYOBI |
| Ketting | Corrente | Kæde | 91PJ052X | RAC248 | 91PJ056X | RAC253 |
| Zwaard | Barra | Sværd | 140SDEA041 | RAC247 | 160SDEA041 | RAC249 |

| Svenska | Suomi | Norsk | Русский | Polski |
|---|--|--|--|--|
| Produktspecifikationer | Tuotteen tekniset tiedot | Produktspesifikasjoner | Характеристики изделия | Parametry techniczne |
| Modell | Malli | Modell | Модель | Model |
| Klassad effekt | Moottoriteho | Nominell effekt | Номинальная мощность | Moc znamionowa |
| Spänning | Nimellisjännite | Nominell spenning | Номинальное напряжение | Napięcie znamionowe |
| Klingans längd | Terälevyn pituus | Sagsverdlengde | Длина пильной шины | Długość prowadnicy |
| Användbar sågningsslängd | Leikkuupituus | Brukbar kuttelengde | Используемая режущая длина | Użyteczna długość cięcia |
| Kedjebromsens stopp | Ketjujarrun pysäytin. | Kjedebremsestopp | Упор цепного тормоза | Czas hamowania łańcucha |
| Kapacitet för oljebehållaren | Ketjun öljysäiliön tilavuus | Kjeldeolje tankkapasitet | Емкость масляного бака пилы | Pojemność zbiornika oleju łańcuchowego |
| Vikt (med stödarm, kedja och tom tank) | Paino (terälevy, ketju ja tyhjä säilö) | Vekt (med føringssskinne, kjede og tom tank) | Вес (с пильной шиной, цепью и пустым топливным баком) | Masa (z prowadnicą, łańcuchem i pustym zbiornikiem paliwa) |
| Vibrationsnivå | Tärinätsato | Vibrasjonsnivå | Уровень вибрации | Poziom drgań |
| Främre handtag | Etukädensija | Fremre håndtak | Передняя ручка | Przedni uchwyt |
| Bakre handtag | Takakädensija | Bakre håndtak | Задняя ручка | Tylny uchwyt |
| Osäkerhet för mätt | Mittausten epätarkkuus | Usikkerhet ved måling | Погрешность измерения | Niepewność pomiaru |
| Bullerutsläppsnivå (enligt EN 60745-1; EN 60745-2-13) | Melutaso (standardin EN 60745-1; EN 60745-2-13 mukaisesti) | Noise emission level (in accordance with EN 60745-1 and EN 60745-2-13) | Уровень шума (в соответствии с EN 60745-1; EN 60745-2-13) | Poziom emisji hałasu (zgodnie z normą EN 60745-1; EN 60745-2-13) |
| A-viktad ljudtrycksnivå vid operatörens plats | A-painotettu käyttäjään kohdistuva äänenpainetaso | Støynivåvekting ved operatørens posisjon | Амплитудно-взвешенный уровень звукового давления в рабочем месте оператора | Poziom ciśnienia akustycznego (A) w miejscu operatora |
| Osäkerhet för mätt | Mittausten epätarkkuus | Usikkerhet ved måling | Погрешность измерения | Niepewność pomiaru |
| A-vägd ljudeffektnivå | A-painotettu äänenteho | A-vektet lydeffektnivå | Уровень А-взвешенной звуковой мощности | A-ważony poziom natężenia hałasu |
| Osäkerhet för mätt | Mittausten epätarkkuus | Usikkerhet ved måling | Погрешность измерения | Niepewność pomiaru |

| Utbytesdelar (Klinga och kedja) | Varaosat (Terälevy ja ketju) | Erstatningsdelar (Sagsverd og kjede) | Запасные части (Пильная шина и цепь) | Części zamienne (Prowadnica i łańcuch) |
|---------------------------------|------------------------------|--------------------------------------|--------------------------------------|--|
| Modell | Malli | Modell | Модель | Model |
| Tillverkare | Valmistaja | Produsent | Изготовитель | Producent |
| Kedja | Ketju | Kjede | Пильная цепь | Łańcuch |
| Stod | Terälevy | Skinne | Шина | Prowadnica |

| Čeština | Magyar | Română | | |
|---|--|--|----------------------|----------------------|
| Technické údaje produktu | Termék műszaki adatai | Specificațiile produsului | | |
| Model | Typus | Model | RCS1935B | RCS2340B |
| Jmenovitý výkon | Névleges teljesítmény | Puterea nominală | 1900W | 2300W |
| Jmenovitá napětí | Névleges feszültség | Tensiunea nominală | 230-240V ~50Hz | |
| Délka vodící lišty | Láncvezető hossza | Lungime a barei de ghidare | 356 mm (14") | 406 mm (16") |
| Využitelná řezací délka | Hasznos vágáshossz | Lungime de tăiere utilizabilă | 340 mm (13") | 380 mm (15") |
| Zastavení řetězu brzdou | Láncfék leállása | Blocarea lanțului | <0,12 s | |
| Kapacita olejové nádrže pro řetěz | Láncolaj tartályának térfogata | Capacitate rezervor ulei de lanț | 150 ml | |
| Hmotnost (s vodící lištou, řetězem a prázdnou nádrží) | Tömeg (láncvezetővel, láncsal és üres tartállyal) | Greutate (cu lamă de ghidare, lanț și rezervor gol) | 4,7 kg | 4,8 kg |
| Úroveň vibrací | Vibrációs szint | Nivelul vibrațiilor | | |
| Přední rukojeť | Elűlső fogantyú | Mâner anterior | 3,1 m/s ² | 6,0 m/s ² |
| Zadní rukojeť | Hátso fogantyú | Mânerul principal | 5,0 m/s ² | 9,4 m/s ² |
| Nejistota měření | Mérés bizonytalansága | Nesiguranța măsurătorii | 1,5 m/s ² | |
| Hladina emise hluku (v souladu s EN 60745-1, EN 60745-2-13) | Hangkibocsátási szint (az EN 60745-1, EN 60745-2-13 szerint) | Nivel emisie zgomot (în conformitate cu EN 60745-1, EN 60745-2-13) | | |
| Hladina akustického tlaku vážená funkci A v poloze obsluhy | A-súlyozott hangnyomásszint a kezelő helyén | Nivel presiune sunet greutate A la poziția operatorului | 92 dB(A) | 93 dB(A) |
| Nejistota měření | Mérés bizonytalansága | Nesiguranța măsurătorii | 3 dB(A) | |
| Hladina akustického tlaku vážená funkci A | A-súlyozott hangteljesítményszint | Nivel de putere acustică ponderată A | 103 dB(A) | 104 dB(A) |
| Nejistota měření | Mérés bizonytalansága | Nesiguranța măsurătorii | 3 dB(A) | |

| Náhradní díly (Lišta a řetěz) | Cserealkatrészek (Láncvezető és lánc) | Piese de schimb (Bară și lanț) | | | | |
|-------------------------------|---------------------------------------|--------------------------------|------------|--------|------------|--------|
| Model | Typus | Model | RCS1935B | | RCS2340B | |
| Výrobce | Gyártó | Producător | OREGON | RYOBI | OREGON | RYOBI |
| Ostrá část řetězu | Fűrészlánc | Lanțul ferăstrăului | 91PJ052X | RAC248 | 91PJ056X | RAC253 |
| Lišta | Láncvezető | Lamă | 140SDEA041 | RAC247 | 160SDEA041 | RAC249 |

| Latviski | Lietuviškai | Eesti | Hrvatski | Slovensko | Slovenčina |
|---|---|---|--|--|--|
| Produkta specifikācijas | Gaminio techninės savybės | Toote tehnilised andmed | Specifikacije proizvoda | Specifikacije izdelka | Specifikacije proizvoda |
| Modelis | Modelis | Mudel | Model | Model | Modelis |
| Nominālā jauda | Nominali galia | Nimivõimsus | Nazivna snaga | Nazivna moč | Menovity výkon |
| Nominālais spriegums | Nominali įtampa | Nimipinge | Nazivni napon | Nazivna napetost | Menovité napätie |
| Slīdes garums | Kreipiamosios juostos ilgis | Juhtlati pikkus | Duljina vodilice lanca | Dolžina meča | Dĺžka vodiacej lišty |
| Izmantojamais griešanas garums | Naudojamas pjovimo ilgis | Kasutatav lõike pikkus | Korisna duljina vodilice | Dolžina uporabne površine za žaganje | Využitelná dĺžka rezania |
| Kēdes bremze | Grandinės stabdikiio reagavimo greitis | Ketipiduri seiskumine | Zaustavljajč kočnice lanca | Zapora zavore verige | Zastavenie brzdov retaze |
| Kēdes eļļas tvertnes tilpums | Grandinės alyvos bakelio tūris | Ūlipaagi maht | Kapaciteta spremnika ulja za lanac | Kapaciteta posode za olje verige | Kapacita olejovej nádrže retaze |
| Svars (ar slīdī, ķēdi un tukšu tvertni) | Svoris (su krepituvu, grandine ir tuščiu baku) | Mass (juhtlatiga, ketiga ja tūhja paagiga) | Težina (s vodilicom, lancem i praznim spremnikom) | Teža (z mečem, verigo in praznim rezervoarjem) | Hmotnosť (s vodiacou lištou, reťazou a prázdnu nádržou) |
| Vibrācijas līmenis | Vibrācijas lygis | Vibratsioonitase | Razina vibracije | Raven vibracij | Úroveň vibrácií |
| Priekšējais rokturis | Priekinė rankena | Eesmine käepide | Prednja ručka | Sprednji ročaj | Predná rukoväť |
| Aizmugurējais rokturis | Galinė rankena | Tagumine käepide | Stražnja ručica | Zadnji ročaj | Zadná rukoväť |
| Mērījuma nenoteiktība | Matavimo paklaida | Mõõtmismääramatus | Neodređenost mjerenja | Negotovost meritve | Nespojahlivost merani |
| Trokšņu emisijas līmenis (saskaņā ar EN 60745-1, EN 60745-2-13) | Skaidzīamo triukšmo lygis (pagal EN 60745-1, EN 60745-2-13 standartą) | Helivõimsuse tase (vastavalt standardile EN 60745-1, EN 60745-2-13) | Razina emisija buke (u skladu s EN 60745-1, EN 60745-2-13) | Raven emisij hrupa (v skladu s standardom EN 60745-1, EN 60745-2-13) | Úroveň emisii hluku (podľa normy EN 60745-1, EN 60745-2-13) |
| Lietotāja pozīcijā ir ar A novērtēts skaņas spiediena līmenis | A svorinis triukšmo slėgio lygis operatoriaus padėtyje | A-kaalutud müraemissiooni rõhu tase operatoori töökohal | A-ponderirana razina zvučnog tlaka u položaju operatera | A-izmerjena raven zvočnega tlaka pri položaju upravljalca | Vážená A hladina akustického tlaku na pozícii obsluhujúcej osoby |
| Mērījuma nenoteiktība | Matavimo paklaida | Mõõtmismääramatus | Neodređenost mjerenja | Negotovost meritve | Nespojahlivost merani |
| A-līmeņa skaņas jaudas līmenis | A-svertinis akustinis lygis | A-kaalutud helivõimsuse tase | Ponderirana razina zvučne snage | A-izmerjena raven zvočne moči | Vážená A hladina akustického výkonu |
| Mērījuma nenoteiktība | Matavimo paklaida | Mõõtmismääramatus | Neodređenost mjerenja | Negotovost meritve | Nespojahlivost merani |

| Rezerves daļas (Slīde un ķēde) | Atsarginės detalės (Juosta ir grandinė) | Asendusosad (Juhtlati ja kett) | Zamjena dijelova (Vodilica i lanac) | Nadomestni deli (Meč in veriga) | Náhradné diely (Lišta a reťaz) |
|--------------------------------|---|--------------------------------|-------------------------------------|---------------------------------|--------------------------------|
| Modelis | Modelis | Mudel | Model | Model | Modelis |
| Ražotājs | Gamintojas | Tootja | Proizvođač | Proizvajalec | Výrobca |
| Zāģēšanas ķēde | Pjovimo grandinė | Kett | Lanac | Veriga | Reťaz |
| Slīde | Apsagas | Juhtlatt | Vodilica | Meč | Lišta |

| България | Українська | Türkçe | | |
|--|---|---|----------------------|----------------------|
| Технически характеристики | Технічні характеристики пристрою | Ürün teknik özellikleri | | |
| Модел | Модель | Model | RCS1935B | RCS2340B |
| Номинална мощност | Номинална потужність | Nominal güç | 1900W | 2300W |
| Номинален волтаж | Номинална напрега | Nominal voltaj | 230-240V ~50Hz | |
| Дължина на водещата шина | Довжина напрямної штанги | Kılavuz çubuğu uzunluk | 356 mm (14") | 406 mm (16") |
| Използваема дължина на рязане | Корисна рижуча довжина | Kullanılabilen kesme uzunluğu | 340 mm (13") | 360 mm (15") |
| Спиратка на веригата | Зупинка ланцюгового гальма | Zincir freni durdurma | <0,12 s | |
| Вместимост на резервоара за верижно масло | Об'єм масляного бака ланцюга | Zincir yağ tanki kapasitesi | 150 ml | |
| Тегло (с шина, верига и празен резервоар) | Вага (з напрямною штангою, ланцюгом і порожнім баком) | Ağırlık (kılavuz çubuk, zincir ve boş tank) | 4,7 kg | 4,8 kg |
| Ниво на вибрация | Рівень вібрації | Titreşim seviyesi | | |
| Предна ръкохватка | Передня ручка | Ön kulp | 3,1 m/s ² | 6,0 m/s ² |
| Задна ръкохватка | Задня ручка | Arka kulp | 5,0 m/s ² | 9,4 m/s ² |
| Несигурност на измерването | Невизначеність вимірювання | Ölçüm bilinmiyor | 1,5 m/s ² | |
| Ниво на шумовите емисии (в съответствие с EN 60745-1, EN 60745-2-13) | Рівень шуму (відповідно до EN 60745-1, EN 60745-2-13) | Gürültü emisyon seviyesi (EN 60745-1, EN 60745-2-13 uyanınca) | | |
| Равнище A на нивото на шумовото налягане на мястото на оператора. | Рівень звукового тиску за шкалою A для оператора пристрою | Kullanıcı pozisyonundaki A ağırlıklı ses basıncı seviyesi | 92 dB(A) | 93 dB(A) |
| Несигурност на измерването | Невизначеність вимірювання | Ölçüm bilinmiyor | 3 dB(A) | |
| Ниво на силата на шума с равнище A | A-зважений рівень звукової потужності | A ağırlıklı ses gücü seviyesi | 103 dB(A) | 104 dB(A) |
| Несигурност на измерването | Невизначеність вимірювання | Ölçüm bilinmiyor | 3 dB(A) | |

| Резервни части (Шина и верига) | Запасні частини (штанга і ланцюг) | Yedek Parça (Gövde ve Zincir) | | | | |
|--------------------------------|-----------------------------------|-------------------------------|------------|--------|------------|--------|
| Модел | Модель | Model | RCS1935B | | RCS2340B | |
| Производител | Виробник | Üretici | OREGON | RYOBI | OREGON | RYOBI |
| Режеща верига | Ланцюг | Zincir | 91PJ052X | RAC248 | 91PJ056X | RAC253 |
| Шина | Штанга | Gövde | 140SDEA041 | RAC247 | 160SDEA041 | RAC249 |

EN Vibration level

The declared vibration value has been measured with a standard test method and may be used to compare one tool with another.

The declared vibration value may be used in a preliminary assessment of exposure. The vibration emission during actual use of power tool can differ from the declared total value depending on the ways in which the tool is used.

Identify safety measures to protect the operator that are based on an estimation of exposure in the actual conditions of use, taking account of all parts of the operating cycle such as the times when the tool is switched off and when it is running idle in addition to the trigger time.

IT Livello di vibrazioni

Il valore delle vibrazioni dichiarato deve essere misurato con un metodo di test standard e può essere utilizzato per paragonare un utensile a un altro.

Il valore dichiarato delle vibrazioni può essere utilizzato nella valutazione preliminare dell'esposizione.

L'emissione delle vibrazioni durante l'utilizzo dell'utensile può essere diversa dal valore totale dichiarato a seconda dei modi in cui l'utensile viene utilizzato.

Individuare misure di sicurezza per proteggersi basate su una stima dell'esposizione nelle attuali condizioni di utilizzo, prendendo in considerazione tutte le parti del ciclo operativo come i tempi in cui l'utensile viene spento o quando funziona al minimo oltre al tempo di attivazione.

FR Niveau de vibrations

La valeur déclarée totale des vibrations a été mesurée selon une méthode de test standardisée qui peut être utilisée pour comparer un outil avec un autre.

La valeur déclarée totale des vibrations peut également être utilisée pour évaluer par avance le niveau d'exposition.

La valeur des vibrations réellement produites durant l'utilisation de l'outil électrique peuvent différer de la valeur totale déclarée, en fonction de la manière dont l'outil est utilisé.

Identifiez les mesures de sécurité à prendre pour vous protéger, sur la base d'une estimation de l'exposition réelle, en tenant compte de tous les éléments du cycle d'utilisation tels que le temps d'arrêt de l'outil et le temps de son fonctionnement au ralenti, en plus du temps de fonctionnement normal.

NL Trillingsniveau

De aangegeven trillingswaarde werd gemeten met behulp van een standaard testmethode en kan worden gebruikt om gereedschap met elkaar te vergelijken.

De aangegeven trillingswaarde kan worden gebruikt in een voorlopige blootstellingsanalyse.

De trillingsemissie tijdens het gebruik van het werktuig kan verschillen van de aangegeven totale waarde, afhankelijk van de manier waarop het werktuig wordt gebruikt.

Neem veiligheidsmaatregelen om uzelf te beschermen op basis van een inschatting van de blootstelling in de huidige gebruiksomstandigheden, rekening houdend met alle onderdelen van de bedrijfscyclus, zoals de tijd dat het werktuig wordt uitgeschakeld en het stationair draait, bovenop de bedrijfstijd.

DE Vibrationsgrad

Der angegebene Vibrationswert wurde durch eine Standard-Testmethode ermittelt und kann dazu verwendet werden, ein Werkzeug mit einem anderen zu vergleichen.

Der angegebene Vibrationswert kann für eine Voraburteilung der Exponierung herangezogen werden.

Die Vibrationsemissionen bei der tatsächlichen Benutzung von Elektrowerkzeugen kann sich, abhängig von der Art der Benutzung des Werkzeugs, von dem genannten Wert unterscheiden.

Identifizieren Sie aufgrund einer Einschätzung der Exponierung unter tatsächlichen Einsatzbedingungen Maßnahmen zum eigenen Schutz, unter Berücksichtigung aller Bestandteile des Betriebszyklus, wie die Zeiten zu denen das Werkzeug ausgeschaltet ist, und zu denen es sich zusätzlich zu den Auslösezeitpunkten im Leerlauf befindet.

PT Nivel de vibração

O valor de vibração declarado foi medido com um método de teste padrão e pode ser usado para comparar uma ferramenta com outra.

O valor de vibração declarado pode ser utilizado numa avaliação preliminar da exposição.

A emissão das vibrações durante o uso real da ferramenta eléctrica pode diferir do valor total declarado segundo o uso que se der à ferramenta.

Identifique as medidas de segurança para se proteger com base numa estimativa de exposição nas actuais condições de uso, tendo em conta todas as peças do ciclo de funcionamento, como as vezes que a ferramenta é desligada e quando está a trabalhar em ralenti para além do tempo de gatilho.

ES Nivel de vibración

El valor declarado de vibraciones se ha medido con un método de prueba estándar y puede utilizarse para comparar una herramienta con otra.

El valor declarado de vibraciones puede utilizarse en una evaluación preliminar de exposición.

La emisión de las vibraciones durante el uso real de la herramienta eléctrica puede diferir del valor total declarado según el uso que se le dé a la herramienta.

Identifique las medidas de seguridad para protegerse en base a una estimación de la exposición en las condiciones reales de uso, teniendo en cuenta todas las partes del ciclo de funcionamiento, como los tiempos en que la herramienta está apagada y cuando está en ralentí, además del tiempo de activación.

DA Vibrationsniveau

Den erklærede vibrationsværdi er målt i henhold til en standard-testmetode og kan bruges til at sammenligne forskellige værktøjer indbyrdes.

Den erklærede vibrationsværdi kan bruges som en foreløbig vurdering af eksponeringen.

Vibrationsemissionen ved praktisk brug af elværktøjet kan variere fra den erklærede totalværdi, alt efter hvordan værktøjet anvendes.

Træf passende sikkerhedsforanstaltninger for at beskytte dig selv ud fra den skønnede eksponering for risici under de aktuelle anvendelsesforhold, hvor du - ud over den effektive arbejdstid - også tager højde for de varierende perioder, som fx når værktøjet er slukket, og når det kører i tomgang.

SV Vibrationsnivå

Det angivna vibrationsvärdet har uppmätts med en standardmetod och kan användas för att jämföra med andra kraftverktyg.

Det angivna vibrationsvärdet kan användas i en preliminär analys av vibrationerna som användaren utsätts för.

De vibrationer som uppstår vid användningen av el-verktyget kan skilja sig från det uppgivna totalvärdet beroende på det sätt som verktyget används på.

Vidtag säkerhetsåtgärder för ditt personliga skydd utifrån den exponering som sker under användningen, ta hänsyn till all användning som då verktyget är avstängt och när det går på tomgång förutom den faktiska brukstiden.

PL Poziom drgań

Deklarowany poziom drgań został zmierzony za pomocą standardowej metody pomiaru i jego wyniki mogą służyć do porównywania tego urządzenia z innymi.

Deklarowana wartość drgań może służyć do wstępnej oceny narażenia operatora na wibracje.

Emisja drgań podczas użytkowania elektronarzędzi może różnić się od zadeklarowanej wartości, w zależności od sposobu użytkowania urządzenia.

Określić zasady bezpieczeństwa, oparte na oszacowaniu narażenia operatora w rzeczywistych warunkach użytkowania, uwzględniając wszystkie elementy cyklu operacyjnego, takie jak czasy wyłączenia oraz czasy pracy bez obciążenia, oprócz czasu pracy przy wciśniętym przycisku uruchamiania.

FI Tärinäätaso

Ilmoitettu tärinäarvo on mitattu tavallisin testimenetelmin, ja sitä voidaan käyttää verrattaessa laitetta toiseen.

Ilmoitettua tärinäarvoa voidaan käyttää arvioitaessa tärinävaikutusta.

Sähkötyökalun todellisen käytön aikainen tärinä saattaa poiketa ilmoitetusta kokonaisarvosta, laitteen käytötavasta riippuen.

Määritä käyttäjän suojauskeinot, jotka perustuvat todellisten käyttöolosuhteiden tärinävaikutusarvoon, ottaen huomioon kaikki käyttäjän osat, kuten ajan, jonka laite on sammuksissa ja käy tyhjäkäynnillä, varsinaisen sahausajan lisäksi.

CS Úroveň vibrací

Uznaná hodnota vibrací byla naměřena pomocí standardního testovacího postupu a lze ji použít k porovnání s jiným nástrojem.

Uznaná hodnota vibrací se může používat k předběžnému odhadu vystavení vibracím.

Aktuální hodnoty vibrací během používání nástroje se mohou lišit od výše uvedených a mohou se lišit dle použitého nástroje.

Určete bezpečnostní opatření pro vlastní ochranu, která jsou založena na odhadu vystavení v aktuálních podmínkách používání, popisu všech částí pracovního cyklu jako doby, kdy je nástroj vypnut a když běží naprázdno, kromě doby spuštění.

NO Vibrasjonsnivå

Den oppgitte vibrasjonsverdien er målt med en standard testmetode og kan benyttes for å sammenligne ett verktøy med et annet.

Den oppgitte vibrasjonsverdien kan benyttes for en foreløpig angivelse av eksponering.

Vibrasjonene ved faktisk bruk av et elektrisk verktøy kan skille seg fra oppgitte totalverdier avhengig av måten verktøyet brukes på.

Identifiser sikkeringstiltak som beskytter deg selv, basert på et anslag for eksponering i den faktiske brukssituasjonen der man tar hensyn til alle brukssykluser, som lids punktet da maskinen ble slått av og når den går på tomgang i tillegg til tiden når verktøyet arbeider.

HU Vibrációs szint

A megadott vibrációs érték szabványos tesztmódszerrel lett meghatározva, és két szerszám összehasonlításakor is használható.

A megadott vibrációs érték a vibrációnak való kitétség előzetes becsléséhez is felhasználható.

A vibráció-kibocsátás a szerszám gép tényleges használat során eltérhet a nyilatkozatban szereplő teljes értéktől; ez függ a gép használatának módjától.

Határozza meg a saját védelmét szolgáló óvintézkedéseket az adott használati körülmények között érvényes kitétség felmérésével, figyelembe véve a használat teljes időtartamát, vagyis beleértve azokat az időszakokat, amikor a gép ki van kapcsolva, vagy bekapcsolva állapotban üresjárásban működik.

RU Уровень вибрации

Заявленная величина вибрации измерялась в соответствии со стандартной методикой проведения испытаний и может использоваться для сравнения одного инструмента с другим.

Заявленная величина вибрации может использоваться при предварительной оценке характеристик.

Уровень вибрации при работе электроинструмента может отличаться от заявленной общей величины вибрации в зависимости от условий его использования.

Выберите средства защиты оператора с учетом реальных условий эксплуатации, принимая во внимание все факторы рабочего цикла, такие как время, в течение которого инструмент был выключен, и время его работы в холостом режиме.

RO Nivelul vibrațiilor

Valoarea declarată a vibrațiilor a fost măsurată cu o metodă de testare standard și poate fi utilizată pentru a compara o unealtă cu alta.

Valoarea declarată a vibrațiilor poate fi utilizată într-o evaluare preliminară a expunerii.

Emisia de vibrații în timpul folosirii efective a unelei electrice poate diferi de valoarea totală declarată în funcție de modulele în care este utilizată unealta.

Identificați măsurile de siguranță pentru a vă proteja, pe baza estimării expunerii la condițiile efective de utilizare, luând în considerare toate etapele ciclului de operare, precum momentele în care unealta este oprită și atunci când funcționează în gol, suplimentar momentului declanșării.

LV Vibrācijas līmenis

Nosauktais vibrācijas līmenis ir ticis izmērīts ar standarta pārbaudes metodi un var tikt izmantots, lai salīdzinātu vienu instrumentu ar citu.

Nosauktā vibrācijas vērtība var tikt izmantota sākotnējās iedarbības novērtējumam. Elektroinstrumenta vibromisija reālā darba laikā var atšķirties no norādītās kopējās vērtības atkarībā no veidiem, kā instruments tiek lietots.

Nosakiet drošības pasākumus, lai sevi aizsargātu, balstoties uz saskares ilguma novērtējumu atbilstoši lietošanas apstākļiem, ņemot vērā visas lietošanas cikla daļas, tostarp laikus, kad instruments tiek izslēgts un kad tas darbojas tukšgaitā papildus darbināšanas laikam.

SL Raven vibracij

Navedena vērtnost vibracij je bila izmjerena s standardno metodo testiranja in se lahko uporabi za primerjavo različnih orodij.

Navedena vrednost vibracij se lahko uporabi za predhodne ocene izpostavljenosti.

Emisije med dejansko uporabo električnega orodja se od navedene vrednosti lahko razlikujejo, odvisno od načina, kako se orodje uporablja.

Ugotovite varnostne ukrepe za zaščito upravitelja, ki temeljijo na oceni izpostavljenosti v dejanskih pogojih uporabe, pri tem pa je treba upoštevati vse dele delovnega cikla – npr. ko je orodje izključeno in ko je v prostem teku in čas zagona.

LT Vibracijos lygis

Deklaruotas vibracijos lygis yra išmatuotas standartinio testo metu ir gali būti naudojamas vieno įrankio su kitu palyginimui.

Deklaruotas vibracijos lygis gali būti naudojamas preliminariam pavojaus įvertinimui.

Elektrinio įrankio naudojimo metu vibracijos lygis gali skirtis nuo deklaruotos bendrosios vertės pagal įrankio naudojimo būdus.

Nustatykite saugumo priemones, kad apsisaugotumėte, kurios pagrįstos pavojaus įvertinimu pačiose naudojimo sąlygose, atkreipiant dėmesį į visas darbo ciklo dalis, pvz. laikotarpį, kai įrankis yra išjungtas ir kai veikia tuščiaja eiga bei perjungimo laiką.

SK Úroveň vibrácií

Deklarovaná hodnota vibrácií bola meraná podľa štandardnej testovacej metódy a možno ju používať na porovnanie jedného nástroja s iným.

Deklarovaná hodnota vibrácií sa dá použiť aj v predbežnom odhade expozície.

Úroveň emisii počas samotného používania elektrického nástroja sa môže líšiť od deklarovanej celkovej hodnoty v závislosti od toho, ktorý nástroj sa používa.

Identifikujte bezpečnostné opatrenia na vašu ochranu ne základe posúdenia skutočných podmienok použitia, pričom vezmite do úvahy všetky časti prevádzkového cyklu, napríklad časov, kedy je nástroj vypnutý a kedy pracuje na voľnobehu okrem času spúšťania.

ET Vibratsioonitase

Deklareeritud vibratsiooniväärtus on mõõdetud standardse testimismeetodiga ja seda võib kasutada tööriistade omavaheliseks võrdlemiseks.

Deklareeritud vibratsiooniväärtust võib kasutada mürataseme eelhindamiseks.

Olenevalt seadme kasutusviisist võib mehaanilise tööriista töötamisel ilmneva vibratsioonimisiooni, mille suurus erineb deklareeritud väärtustest.

Kasutaja kaitsmiseks seadmega töötamisel tuleb kindlaks teha turvameetmed, mis põhinevad teatavates kasutusviisides esinevale vibratsioonile, sealjuures tuleb arvesse võtta kõiki töötsükli osi, lisaks sisselülitatud olekule näiteks ka vibratsiooni väljalülitamise ajal ja tühikäigul.

BG Ниво на вибрация

Посочената стойност за вибрациите е измерена с помощта на стандартен тест и може да се използва за сравнение с друг инструмент.

Посочената стойност за вибрациите може да бъде използвана в предварително оценяване за излагане на вибрации.

Вибрациите по време на действителната употреба на електромеханичния инструмент може да се различават от обявената обща стойност в зависимост от начините, по които се използва инструментът.

Определете мерки за безопасност за собствена защита според преценка за излагането на вибрации в реални условия, като се вземат предвид всички елементи на работния цикъл, като например времето, в което инструментът е изключен и когато работи на празен ход, както и времето за задействане.

HR Razina vibracije

Objavljena vrijednost vibracija je izmjerena standardnom metodom testiranja i može se koristiti za usporedbu jednog alata s drugim.

Objavljena vrijednost vibracija može se koristiti u početnom usklađivanju izloženosti.

Razina vibracija tijekom trenutne uporabe AKU alata može se razlikovati od deklarirane ukupne vrijednost ovisno o načinima na koje se alat koristi.

Identificirajte sigurnosne mjere za svoju zaštitu na temelju procjene izloženosti u trenutim uvjetima korištenja, uzевši u obzir sve dijelove radnog ciklusa kao što su vrijeme kada je alat isključen i kada je pokrenut u praznom hodu u dodatku vremenu pokretanja.

UK Рівень вібрації

Оголошене значення вібрації було виміряно за допомогою стандартного методу випробування і може бути використане для порівняння одного інструмента з іншим.

Він може бути використаний для попередньої оцінки впливу.

Емісія вібрації під час фактичного використання електроінструменту може відрізнятись від заявленого значення залежно загального використання інструменту.

Визначити заходи безпеки, щоб захистити себе на основі оцінки впливу в реальних умовах використання, з урахуванням всіх частин робочого циклу, коли інструмент вимкнений, і коли він працює в холостому режимі, доповнюючи робоче положення.

TR Titreşim seviyesi

Beyan edilen titreşim değeri standart bir test yöntemi ile ölçülmüştür ve bir aleti diğeriyle karşılaştırmak için kullanılabilir.

Beyan edilen titreşim değeri bir maruz kalma ön değerlendirmesinde kullanılabilir. Güç destekli aletin fiili kullanımı sırasında meydana gelen titreşim emisyonu aletin kullanıma şekline bağlı olarak beyan edilen toplam değerden farklı olabilir.

Kendinizi korumak için aletin açılıp kapatılma sayısı ve tetik süresinin yanı sıra rölanide çalıştığı zaman gibi çalışma döngüsünde yer alan tüm parçaları dikkate alarak gerçek kullanım koşullarında maruz kalma hesaplamasına dayalı güvenlik önlemlerini belirleyin.

EN RYOBI® WARRANTY APPLICATION CONDITIONS

In addition to any statutory rights resulting from the purchase, this product is covered by a warranty as stated below.

1. The warranty period is 24 months for consumers and commences on the date when the product was purchased. This date has to be documented by an invoice or other proof of purchase. The product is designed and dedicated to consumer and private use only. So there is no warranty provided in case of professional or commercial use. This warranty applies only on new products.
2. There is a possibility to extend for a part of the range of power tools (AC/DC) the warranty period over the period described above using the registration on the www.ryobitools.eu website. The eligibility of products for extended warranty is clearly displayed in stores and / or on packaging and is contained within the product documentation. The end user is required to register his/her newly-acquired products online within 30 days from the date of purchase. The end user may register for the extended warranty in his/her country of residence if listed on the online registration form where this option is valid. Furthermore, end users must give their consent to the storage of their personal data that is required to be entered online. They must also accept the terms and conditions. The registration confirmation receipt, which is sent out by e-mail, and the original invoice showing the date of purchase will serve as proof of the extended warranty.
3. The warranty covers all defects of the product during the warranty period due to faults in workmanship or material at the purchase date. The warranty is limited to repair and/or replacement and does not include any other obligations including but not limited to incidental or consequential damages. The warranty is not valid if the product has been misused, used contrary to the instruction manual, or has been incorrectly connected to a power supply. This warranty does not apply to:
 - any damage to the product that is the result of improper or lack of maintenance
 - any product that has been altered or modified
 - any product where original identification (trade mark, serial number) markings have been defaced, altered or removed
 - any damage caused by non-observance of the instruction manual
 - any product not displaying the CE approval mark on the rating plate
 - any product that has been attempted to be repaired by a non-authorized warranty service centre or without prior authorisation by Techtronic Industries
 - any product connected to improper power supply (amps, voltage, frequency)
 - any product used with inappropriate fuel mixture (fuel, oil, ratio of oil/ fuel mixture)
 - any damage caused by external influences (water, chemical, physical, shocks) or foreign substances
 - normal wear and tear spare parts
 - inappropriate use, overloading of the tool
 - use of non-approved accessories or parts
 - Accessories provided with the tool or purchased separately including but not limited to blades, saw chains, cutting lines, etc.
 - Any periodic adjustments to or maintenance cleaning of carburetors
 - Components (parts and accessories) subject to natural wear and tear, including but not limited to bump knobs, drive belts, clutch, blades of hedge trimmers or lawn mowers, harness, cable throttle, carbon brushes, power cord, tines, felt washers, hitch pins, blower fans, blower and vacuum tubes, vacuum bag and straps, guide bars, saw chains, hoses, connector fittings, spray nozzles, wheels, spray wands, inner reels, outer spools, cutting lines, spark plugs, air filters, gas filters, mulching blades, etc.
4. For servicing, the product must be sent or presented to a RYOBI authorised service station listed for each country in the following list of service station addresses. In some countries your local RYOBI dealer undertakes to send the product to the RYOBI service organisation. When sending a product to a RYOBI service station, the product should be safely packed without any dangerous contents such as petrol, marked with sender's address and accompanied by a short description of the fault.
5. A repair / replacement under this warranty is free of charge. It does not constitute an extension or a new start of the warranty period. Exchanged parts or products become our property. In some countries delivery charges or postage will have to be paid by the sender. Your statutory rights arising from the purchase of the product remain unaffected.
6. This warranty is valid in the European Community, Switzerland, Iceland, Norway, Liechtenstein, Turkey and Russia. Outside these areas, please contact your authorised RYOBI dealer to determine if another warranty applies.

AUTHORISED SERVICE CENTRE

To find an authorised service centre near you, visit <http://en.ryobitools.eu/header/service-and-support/service-agents>.

FR RYOBI® CONDITIONS D'APPLICATION DE LA GARANTIE

En plus des droits statutaires liés à l'achat, ce produit est couvert par une garantie telle que décrite ci-dessous.

1. La durée de la garantie accordée au consommateur est de 24 mois à partir de la date d'achat. Cette date doit être authentifiée par une facture ou tout autre preuve d'achat. Le produit a été conçu en vue d'une utilisation strictement privée. Aucune garantie ne s'applique donc en cas d'utilisation professionnelle ou commerciale.
2. Il existe pour une partie de la gamme « jardin » (AC/DC), une possibilité d'étendre la période de garantie au-delà de la période précédemment décrite en utilisant le formulaire d'enregistrement présent sur le site Internet www.ryobitools.eu. L'éligibilité d'un outil est clairement affichée dans les points de vente et/ou sur l'emballage et la documentation. L'utilisateur final doit enregistrer son/ses outil(s) nouvellement acheté(s) en ligne dans les 30 jours qui suivent la date d'achat. L'utilisateur a la possibilité de s'enregistrer pour l'extension de garantie dans son pays de résidence si celui-ci est listé dans le formulaire d'enregistrement en ligne où cette option est valide. L'utilisateur final doit donner son consentement pour l'enregistrement des données requises pour accéder au site et doit accepter les termes et conditions. La confirmation d'enregistrement, envoyée par courrier électronique, ainsi que la facture originale mentionnant la date d'achat serviront de preuve de l'extension de garantie.
3. La garantie couvre pendant la période de garantie les défauts des produits liés à la fabrication et aux matériaux à la date d'achat. La garantie est limitée à la réparation et/ou au remplacement et n'inclut aucune autre obligation, tel que, mais sans s'y limiter, les dommages accessoires ou indirects. La garantie est non valable en cas de mauvaise utilisation du produit, d'utilisation contraire aux instructions du mode d'emploi, ou en cas de branchement incorrect. Cette garantie ne s'applique pas pour :
 - tout dommage au produit résultant d'un mauvais entretien
 - tout produit ayant été altéré ou modifié
 - tout produit dont les marquages originaux d'identification (marque, numéro de série) ont été dégradés, altérés ou retirés
 - tout dommage causé par le non-respect des instructions du mode d'emploi
 - tout produit non CE
 - tout produit ayant subi une tentative de réparation par du personnel non qualifié ou sans autorisation préalable de Techtronic Industries
 - tout produit raccordé à une alimentation secteur non conforme (ampérage, voltage, fréquence)
 - tout produit utilisé avec un mélange inapproprié (essence, huile, pourcentage d'huile)
 - tout dommage causé par des influences extérieures (chimiques, physiques, chocs) ou par des substances étrangères
 - l'usure normale des pièces consommables
 - une utilisation inappropriée, une surcharge de l'outil
 - l'utilisation de pièces ou accessoires non agréés
 - Tout réglage périodique ou tout nettoyage de maintenance des carburateurs
 - les composants (pièces et accessoires) sujets à une usure naturelle, incluant de façon non exhaustive les têtes de fil à frapper, les courroies de transmission, les embrayages, les lames des taille-haies ou des tondeuses à gazon, les harnais, les câbles d'accélérateur, les charbons, les cordons d'alimentation, les fraises de cultivateurs, les rondelles feutre, les goupilles de fraise, les turbines et lame de broyage des souffleurs, les tubes de soufflage et d'aspiration des souffleurs, les sacs de souffleurs et leurs lanières, les guides-chaîne, les chaînes de tronçonneuses, les tuyaux et raccords, les buses et lances de nettoyeurs haute pression, les roues, les recharges de fil des têtes de coupe, les têtes de coupe, le fil de coupe, les bougies d'allumage, les filtres à air, les filtres à essence, etc.
4. Si le produit doit être réparé, envoyez-le à un service après-vente agréé RYOBI dont vous trouverez ci-dessous la liste pour chaque pays. Dans certains pays, votre revendeur RYOBI se chargera d'envoyer le produit à un centre de réparation RYOBI. Lorsque vous envoyez un produit à un service après-vente RYOBI, celui-ci doit être correctement emballé, sans contenir aucun produit dangereux tel que de l'essence, et vous devez indiquer votre adresse ainsi qu'une courte description du problème.
5. Une réparation / un remplacement sous garantie est gratuit(e). Ceci ne constituera pas une extension de garantie ni un nouveau départ de la période de garantie. Les pièces ou les outils remplacés deviennent notre propriété. Dans certains pays, les frais de port devront être assumés par l'expéditeur. Vos droits statutaires restent inchangés.
6. Cette garantie est valable au sein de l'Europe, de la Suisse, de l'Islande, de la Norvège, du Liechtenstein, de la Turquie, de la Russie. En dehors de ces zones, veuillez contacter votre distributeur agréé RYOBI pour déterminer si une autre garantie s'applique.

SERVICE APRÈS-VENTE AGRÉÉ

Pour trouver le service après-vente agréé le plus proche, rendez-vous sur <http://fr.ryobitools.eu/header/service-and-support/service-agents>

DE RYOBI® GARANTIEBEDINGUNGEN

Zusätzlich zu den gesetzlichen Rechten aus dem Kauf gilt für dieses Produkt die nachstehend aufgeführte Garantie.

- Der Garantiezeitraum beträgt für Verbraucher 24 Monate und beginnt mit dem Datum des Kaufs. Dieses Datum muss durch eine Rechnung oder einen anderen Kaufbeleg dokumentiert werden. Dieses Produkt wurde ausschließlich zur privaten Nutzung durch Verbraucher entwickelt. Für den Fall einer professionellen bzw. kommerziellen Nutzung besteht daher keine Garantie.
- Es besteht die Möglichkeit, für einen Teil des Sortiments der Gartenwerkzeuge (AC/DC) den Garantiezeitraum über den oben genannten Zeitraum hinaus zu verlängern, indem der Verbraucher die Registrierung auf der Website www.ryobitools.eu durchführt. Die Berechtigung der Werkzeuge für die Garantieverlängerung ist deutlich im Geschäft und/oder auf der Verpackung beschrieben und in der Produktdokumentation erwähnt. Der Verbraucher muss das neu erworbene Gerät online innerhalb von 30 Tagen ab dem Kaufdatum registrieren. Der Verbraucher kann das Gerät zwecks Garantieverlängerung in seinem Wohnsitzland/Heimatland registrieren, wenn dieses Land auf dem Online-Registrierungsformular aufgeführt und die Option gültig ist. Darüber hinaus muss der Verbraucher seine Zustimmung zur Speicherung der Daten geben, die online eingegeben werden müssen, und er muss die allgemeinen Geschäftsbedingungen akzeptieren. Die Bestätigung der Registrierung, die per E-Mail versandt wird, und die Originalrechnung mit dem Kaufdatum gelten als Beleg für die Garantieverlängerung.
- Die Garantie deckt alle Defekte des Geräts während des Garantiezeitraums ab, die auf zum Zeitpunkt des Kaufs bestehende Verarbeitungs- oder Materialfehler zurückzuführen sind. Die Garantie beschränkt sich auf Reparatur und/oder Ersatz und beinhaltet keine anderen Verpflichtungen, insbesondere keinen Schadenersatz für Folge- oder Nebenschäden. Die Garantie gilt nicht, wenn das Gerät fehlerhaft eingesetzt wurde, gegenseitlich zur Bedienungsanleitung eingesetzt wurde oder falsch angeschlossen wurde. Die Garantie gilt nicht für Folgendes:
 - Schäden am Gerät, die auf unkorrekte Wartung zurückzuführen sind
 - Geräte, an denen Veränderungen vorgenommen wurden
 - Produkte, bei denen die ursprüngliche Identifizierung (Handelsmarke, Seriennummer) unleserlich gemacht, verändert oder entfernt wurde
 - Schäden durch Nichtbeachtung der Bedienungsanleitung
 - nicht-CE-zertifizierte Geräte
 - Geräte, an denen durch nicht-qualifizierte Personen oder ohne vorherige Genehmigung von Techtronic Industries Reparaturversuche vorgenommen wurden
 - Geräte, die an unkorrekte Energiequellen (Ampere, Volt, Frequenz) angeschlossen wurden
 - Geräte, die mit einer fehlerhaften Treibstoffmischung (Treibstoff, Öl, Ölanteil) betrieben wurden
 - Schäden durch äußere Einflüsse (chemisch, physisch, Stöße) oder Fremdstoffe
 - normaler Verschleiß von Ersatzteilen
 - unangemessene Nutzung, Überlastung des Geräts
 - Nutzung nicht genehmigter Zubehörteile oder Ersatzteile
 - Regelmäßige Einstellung oder Wartungsreinigung des Vergasers
 - Komponenten (Ersatzteile und Zubehörteile), die natürlichem Verschleiß unterliegen, einschließlich, aber nicht begrenzt auf Service- und Wartungssets, Kohlebürsten, Lager, Spannvorrichtungen, SDS-Bohreraufnahme /Bit-Adapter, Netzkabel, Zusatzhandgriff, Transportkoffer, Schleifplatten, Staubbeutel, Staubabführungen, Filzunterlegscheiben, Bolzen und Federn von Schlagschraubern, einschließlich, aber nicht beschränkt auf Fadenköpfe, Antriebsriemen, Kupplungen, die Klingen von Heckenschere oder Rasenmäher, Kabelstränge, Gaszüge, Zinken, Steckbolzen, Lüfter, Saug- und Gebläserohre oder Düsen, Fangsäcke und Gurte, Führungsschienen, Sägeketten, Schläuche, Verbinder, Sprühdüsen, Räder, Sprühstäbe, innere Rollen, äußere Spulen, Schneidfäden, Zündkerzen, Luftfilter, Benzin/- ÖlfILTER, Häcksel- Messer usw.
- Zum Service muss das Gerät zu einer von RYOBI autorisierten Servicestation gebracht oder dorthin gesendet werden. Die Servicestationen für die einzelnen Länder sind in der folgenden Liste aufgeführt. In einigen Ländern sendet Ihr RYOBI-Händler vor Ort das Gerät an das RYOBI-Serviceunternehmen. Beim Einsenden an die RYOBI-Servicestation sollte das Gerät sicher verpackt sein, ohne gefährliche Inhalte wie Benzin, und es sollte mit der Adresse des Absenders und einer kurzen Beschreibung des Fehlers versehen sein.
- Eine Reparatur bzw. ein Ersatz gemäß dieser Garantie ist kostenlos. Hieraus ergibt sich weder eine Garantieverlängerung noch der Beginn eines neuen Garantiezeitraums. Die ausgetauschten Ersatzteile oder Werkzeuge gehen in unser Eigentum über. In einigen Ländern müssen die Zustellgebühren oder die Versandkosten vom Absender gezahlt werden. Ihre gesetzlichen Rechte aus dem Kauf des Geräts bleiben hiervon unberührt.
- Diese Garantie gilt in der Europäischen Union, der Schweiz, Island, Norwegen, Liechtenstein, der Türkei und Russland. Bitte wenden Sie sich außerhalb dieser Gebiete an Ihren autorisierten RYOBI-Händler, um festzustellen, ob eine andere Garantie gilt.

AUTORISIERTER KUNDENDIENST

Besuchen Sie <http://de.ryobitools.eu/header/service-and-support/service-agents>, um einen autorisierten Kundendienst in Ihrer Nähe zu finden.

ES CONDICIONES DE APLICACIÓN DE LA GARANTÍA DE RYOBI®

Además de cualquier derecho legal derivado de la compra, este producto está cubierto por una garantía que se indica a continuación.

- El periodo de garantía es de 24 meses para consumidores y comienza en la fecha en que se comprara el producto. Dicha fecha debe documentarse con una factura u otro comprobante de compra. El producto está diseñado y concebido únicamente para el uso privado del consumidor. Por lo tanto, no se ofrece garantía en caso de uso profesional o comercial.
- Existe la posibilidad de ampliar el periodo de garantía respecto a una parte de la gama de herramientas de jardinería (CA/CC) durante el periodo descrito más arriba y mediante el registro en el sitio web www.ryobitools.eu. La elegibilidad de las herramientas para que se amplie el periodo de garantía se muestra claramente en las tiendas o en el embalaje y está incluida en la documentación del producto. El usuario final tiene que registrar en línea sus herramientas recientemente adquiridas en un plazo de 30 días a partir de la fecha de compra. El usuario final podrá registrarse para obtener la garantía ampliada en su país de residencia si este aparece en la lista del formulario de registro en línea cuando esta opción sea válida. Además, los usuarios finales deberán dar su consentimiento al almacenamiento de los datos necesarios para el acceso en línea y tienen que aceptar los términos y condiciones. El recibo de confirmación de registro, que se envía por correo electrónico, y la factura original que muestra la fecha de compra servirán como comprobante para la garantía ampliada.
- La garantía cubre todos los defectos del producto durante el periodo de garantía debido a fallos de mano de obra o material en la fecha de compra. La garantía se limita a la reparación o sustitución y no incluye ninguna otra obligación como, por ejemplo, daños accidentales o consecuentes. La garantía no es válida si se ha usado mal el producto, se ha usado contraviniendo el manual de instrucciones o se ha conectado de forma incorrecta. Esta garantía no es aplicable a:
 - ningún daño en el producto que sea consecuencia de un mantenimiento inadecuado
 - ningún producto que haya sido alterado o modificado
 - ningún producto en el que los marcados de identificación originales (marca comercial, número de serie) se hayan borrado, modificado o eliminado
 - ningún daño provocado por no seguir el manual de instrucciones
 - ningún producto que no sea CE
 - ningún producto que haya sufrido un intento de reparación por parte de un profesional no cualificado o sin la autorización previa de Techtronic Industries.
 - ningún producto conectado a un suministro eléctrico inadecuado (amperios, voltaje, frecuencia)
 - ningún producto usado con una mezcla de combustible inadecuada (combustible, aceite, porcentaje de aceite)
 - ningún daño causado por influencias externas (químicas, físicas, impactos) o sustancias extrañas
 - desgaste normal de piezas de repuesto
 - uso inadecuado, sobrecarga de la herramienta
 - uso de accesorios o piezas no aprobados
 - Cualquier ajuste periódico o limpieza de mantenimiento de los carburadores
 - Componentes (piezas y accesorios) sujetos al desgaste natural incluyendo, entre otros, pomos de golpes, correas de transmisión, embragues, cuchillas de cortasetos o cortacésped, arneses, cable del acelerador, escobillas de carbono, cables eléctricos, púas, discos de fieltro, pasadores de enganche, ventiladores de soplador, tubos de aspiración y de soplado, bolsas y correas de aspiración, barras guías, cadenas de sierra, mangueras, herrajes de conectores, boquillas pulverizadoras, ruedas, lanzas pulverizadoras, bobinas interiores, carretes exteriores, líneas de corte, bujías, filtros de aire, filtros de gas, cuchillas de compostaje, etc.
- Para su mantenimiento, el producto debe enviarse o presentarse a una estación de servicio de RYOBI autorizada que figure en la siguiente lista de direcciones de estaciones de servicio por países. En algunos países, su distribuidor RYOBI local se responsabiliza de enviar el producto a la compañía de servicio de RYOBI. Cuando se envíe un producto a una estación de servicio de RYOBI, este debe estar empaquetado de forma segura sin contenidos peligrosos como gasolina, marcado con la dirección del remitente y acompañado de una breve descripción del fallo.
- Una reparación / sustitución con esta garantía es gratuita. No constituye una ampliación ni un nuevo comienzo del periodo de garantía. Las piezas o herramientas intercambiadas pasan a ser de nuestra propiedad. En algunos países, los gastos de envío o correo tendrá que pagarlos el remitente. Sus derechos legales derivados de esta compra de la herramienta no se verán afectados.
- Esta garantía es válida en la Unión Europea, Suiza, Islandia, Noruega, Liechtenstein, Turquía y Rusia. Fuera de estas zonas, póngase en contacto con su distribuidor de RYOBI autorizado para determinar si es aplicable otra garantía.

SERVICIO TÉCNICO AUTORIZADO

Para encontrar el servicio técnico autorizado más cercano, visite <http://es.ryobitools.eu/header/service-and-support/service-agents>.

IT CONDIZIONI DI VALIDITÀ DELLA GARANZIA RYOBI®

In aggiunta ai diritti di legge risultanti dall'acquisto, il prodotto è coperto dalla garanzia sotto descritta.

1. Il periodo di garanzia è di 24 mesi per i consumatori, a decorrere dalla data di acquisto del prodotto. La data deve essere documentata da una fattura o altra prova d'acquisto. Il prodotto è progettato e destinato solo all'utilizzo privato dei consumatori. Pertanto non viene fornita alcuna garanzia in caso di uso professionale o commerciale.
2. Per una serie di utensili da giardino (CA/CC) è possibile prolungare il periodo di garanzia oltre quello descritto, registrandosi sul sito web www.ryobitools.eu. Gli utensili per i quali è possibile prolungare il periodo di garanzia sono chiaramente indicati nei negozi e/o sulle confezioni e nella documentazione dei prodotti. L'utente deve registrare online l'utensile acquistato entro 30 giorni dalla data di acquisto. L'utente può registrarsi per la garanzia prolungata nel proprio paese di residenza, se questo è elencato nel modulo di registrazione online dove questa opzione sia valida. Inoltre gli utenti devono fornire il proprio consenso alla conservazione dei dati da immettere online e devono accettare le condizioni generali. La conferma di registrazione, inviata tramite e-mail, e la fattura originale indicante la data di acquisto, costituiranno la prova della garanzia prolungata.
3. La garanzia copre tutti i difetti del prodotto durante il periodo di garanzia, risultanti da manodopera o materiali alla data di acquisto. La garanzia è limitata alla riparazione e/o sostituzione e non include alcun altro obbligo quali, a mero titolo esemplificativo, i danni incidentali o consequenziali. La garanzia non è valida se il prodotto è stato usato scorrettamente, in modo contrario al manuale di istruzioni o se è stato collegato in modo errato. La garanzia non è valida per:
 - qualsiasi danno al prodotto dovuto a manutenzione errata;
 - qualsiasi prodotto che sia stato alterato o modificato;
 - qualsiasi prodotto le cui marcature di identificazione originali (marchi di fabbrica, numero di serie) siano state cancellate, alterate o rimosse;
 - qualsiasi danno causato dalla non osservanza delle istruzioni del manuale;
 - qualsiasi prodotto privo di omologazione CE;
 - qualsiasi prodotto che sia stato sottoposto a un tentativo di riparazione da parte di un professionista non qualificato oppure senza la previa autorizzazione di Techtronic Industries;
 - qualsiasi prodotto collegato a un'alimentazione errata (per ampere, tensione, frequenza);
 - qualsiasi prodotto usato con una miscela di carburante errata (carburante, olio, percentuale di olio);
 - qualsiasi danno causato da influenze esterne (chimiche, fisiche, urti) o sostanze estranee;
 - la normale usura delle parti di ricambio;
 - uso inappropriato, sovraccarico dell'utensile;
 - uso di accessori o parti non omologate;
 - qualsiasi regolazione periodica o pulizia di manutenzione dei carburatori;
 - componenti (parti e accessori) soggetti alla normale usura compresi, a mero titolo esemplificativo, testine a filo, cinghie di trasmissione, frizioni, lame di tagliaerba, imbragature, cavi di accelerazione, spazzole al carbonio, cavi di alimentazione, denti, rondelle di feltro, perni di aggancio, ventole dei soffiatori, tubi di soffiatori e aspiratori, sacchetti e cinghie per aspirapolvere, barre guida, catene per seghe, tubi, raccordi di connessione, ugelli di spruzzo, ruote, erogatori, bobine interne ed esterne, linee di taglio, candele, filtri dell'aria, filtri del gas, lame per mulching ecc.
4. Per la manutenzione il prodotto dev'essere spedito o portato presso uno dei centri assistenza autorizzati RYOBI elencati per ogni paese nel seguente elenco di indirizzi dei centri. In alcuni paesi il rivenditore locale RYOBI si incarica di inviare il prodotto all'organizzazione di assistenza RYOBI. Quando si invia un prodotto a un centro assistenza RYOBI, imballarlo in modo sicuro senza contenuti pericolosi come la benzina, apporre l'indirizzo del mittente e accompagnarlo da una breve descrizione del guasto.
5. La riparazione/sostituzione ai sensi della presente garanzia è gratuita. Non costituisce un prolungamento o un nuovo inizio del periodo di garanzia. Le parti o gli utensili scambiati diventano di nostra proprietà. In alcuni paesi i costi di consegna o di spedizione postale devono essere pagati dal mittente. I diritti di legge derivanti dall'acquisto dell'utensile rimangono inalterati.
6. La presente garanzia è valida in Unione Europea, Svizzera, Islanda, Norvegia, Liechtenstein, Turchia e Russia. Al di fuori di tali aree contattare il rivenditore autorizzato RYOBI per sapere se è valida un'altra garanzia.

CENTRO SERVIZI AUTORIZZATO

Per individuare il più vicino centro servizi autorizzato, visitare il sito <http://it.ryobitools.eu/header/service-and-support/service-agents>.

NL RYOBI® GARANTIEVOORWAARDEN

Naast de wettelijke rechten die voortvloeien uit de aankoop, wordt dit product gedekt door een garantie, zoals hieronder staat vermeld.

1. De garantietermijn voor consumenten bedraagt 24 maanden en gaat in op de datum waarop het product is gekocht. Deze datum moet worden gedocumenteerd met een factuur of een ander aankoopbewijs. Het product is uitsluitend ontworpen en bedoeld voor persoonlijk gebruik door consumenten. Er wordt dus geen garantie gegeven voor professioneel of commercieel gebruik.
2. Voor een deel van ons aanbod van tuingeredschappen (AC/DC) is het mogelijk om de garantietermijn te verlengen over de boven beschreven termijn, met behulp van de website www.ryobitools.eu. De gereedschappen die in aanmerking komen voor de verlenging van de garantietermijn wordt duidelijk weergegeven in winkels en/of verpakkingen en staat beschreven in de productdocumentatie. De eindgebruiker moet zijn/haar nieuw gekochte gereedschappen binnen 30 dagen na aankoop online registreren. De eindgebruiker kan zich registreren voor de verlengde garantietermijn als zijn woonland staat vermeld op het online registratieformulier waar deze optie geldig is. Bovendien moeten eindgebruikers toestemming geven voor de opslag van de gegevens die online ingevuld moeten worden en moeten ze de algemene voorwaarden accepteren. Het ontvangstbewijs van de registratie, dat per e-mail wordt verzonden en de oorspronkelijke factuur met de aankoopdatum vormt het bewijs van de verlengde garantietermijn.
3. De garantie dekt tijdens de garantietermijn alle gebreken van het product vanwege defecten in vakmanschap of materiaal op de aankoopdatum. De garantie is beperkt tot reparatie en/of vervanging en bevat geen andere verplichtingen, waaronder maar niet beperkt tot incidentele of gevolgschade. De garantie is niet geldig als het product is misbruikt, in strijd met de gebruiksaanwijzing wordt gebruikt of onjuist is aangesloten. Deze garantie geldt niet voor:
 - alle schade aan het product die het gevolg is van onjuist onderhoud
 - elk product dat is veranderd of aangepast
 - elk product waar de oorspronkelijke identificatie (handelsmerk, serienummer) is beschadigd, gewijzigd of verwijderd
 - alle schade die is veroorzaakt door het niet opvolgen van de gebruiksaanwijzing
 - elk niet-CE-product
 - elk product waar een poging tot reparatie is gedaan door een niet-erkende professional of zonder voorafgaande toestemming door Techtronic Industries.
 - elk product dat is verbonden met een verkeerde voeding (amperage, spanning, frequentie)
 - elk product dat wordt gebruikt met een verkeerd brandstofmengsel (brandstof, olie, oliegehalte)
 - alle schade die is veroorzaakt door externe invloeden (chemisch, fysisch, schokken) of vreemde stoffen
 - normale slijtage van reserveonderdelen
 - ongepast gebruik, overbelasting van het gereedschap
 - gebruik van niet-goedgekeurde accessoires of onderdelen
 - Alle periodieke aanpassingen aan of het onderhoud en reiniging van carburateurs
 - Componenten (onderdelen en accessoires) die onderhevig zijn aan natuurlijke slijtage, waaronder maar niet beperkt tot stootknoppen, aandrijfriemen, koppelingen, messen van heggrimmers of grasmaaiers, harnas, gaskabel, koolstofborstels, stroomspoeren, tanden, vilttringen, koppelingsspannen, blazers, blaas- en zuigbuizen, zuigzakken en -riemen, geleidingsstaven, zaagkettingen, slangen, koppelingen, mondstukken, wielen, spuitstukken, binnenhaspels, buitenhaspels, snijdraden, bougies, luchtfilters, gasfilters, maaimessen, etc.
4. Voor onderhoud moet het product worden verzonden of gebracht naar een erkend servicestation van RYOBI die voor elk land staan vermeld in de volgende lijst met adressen voor servicestations. In sommige landen zal uw lokale RYOBI-dealer het product verzenden naar de RYOBI-serviceorganisatie. Wanneer u het product naar een servicestation van RYOBI verzendt, moet het product veilig worden verpakt zonder enige gevaarlijke inhoud, zoals benzine, met het adres van de afzender en vergezeld van een korte beschrijving van het defect.
5. Een reparatie/vervanging die onder deze garantie valt is gratis. Het vormt geen verlenging of een nieuwe start van de garantietermijn. Verwisselde onderdelen of gereedschappen worden ons eigendom. In sommige landen moeten de verzendkosten door de afzender worden betaald. Uw wettelijke rechten die voortvloeien uit de aankoop van het gereedschap blijven onaangetast.
6. Deze garantie is geldig in de Europese Gemeenschap, Zwitserland, IJsland, Noorwegen, Liechtenstein, Turkije en Rusland. Buiten deze gebieden moet u contact opnemen met uw erkende RYOBI-dealer om vast te stellen of er een andere garantie van toepassing is.

GEAUTORISEERD ONDERHOUDSCENTRUM

Om een geautoriseerd onderhoudscentrum in uw buurt te vinden, surf u naar <http://nl.ryobitools.eu/header/service-and-support/service-agents>.

PT CONDIÇÕES DE APLICAÇÃO DA GARANTIA RYOBI®

Para além de quaisquer direitos previstos por lei resultantes da compra, este produto está coberto por uma garantia conforme descrição abaixo.

- O período da garantia é de 24 meses para consumidores particulares e inicia-se na data de compra do produto. Esta data tem de ser documentada por uma factura ou por outra prova de compra. O produto foi concebido para e destina-se apenas a consumidores particulares e uso privado. Assim, não é dada garantia em caso de utilização por profissionais ou uso comercial.
- Para uma parte da gama de ferramentas de jardim (AC/DC) existe a possibilidade de prolongamento do período da garantia para além do período descrito acima, mediante registo no Web site www.ryobitools.eu. A elegibilidade das ferramentas para prolongamento do período da garantia é claramente visível nas lojas e/ou nas embalagens e está contida na documentação do produto. O utilizador final tem de fazer o registo online das suas ferramentas recém-adquiridas no prazo de 30 dias após a data de compra. O utilizador final pode fazer o registo para prolongamento da garantia no seu país de residência, desde que esteja listado no formulário de registo online e para os casos em que esta opção seja válida. Para além disso, os utilizadores finais têm de autorizar o armazenamento dos dados cujo preenchimento lhes for solicitado online e têm de aceitar os termos e as condições. O recibo de confirmação do registo é enviado por e-mail e, em conjunto com a factura original ostentando a data de compra, servirá de prova do prolongamento da garantia.
- A garantia cobre todos os defeitos do produto durante o período da garantia devidos a defeitos de fabrico ou de material à data da compra. A garantia está limitada à reparação e/ou substituição e não inclui quaisquer outras obrigações, incluindo mas não se limitando a, perdas complementares ou indirectas. A garantia não é válida se o produto tiver sido utilizado incorrectamente, utilizado de forma contrária ao Manual de Instruções ou se as respectivas ligações tiverem sido feitas incorrectamente. Esta garantia não se aplica ao seguinte:
 - quaisquer danos ao produto que sejam resultado de manutenção incorrecta
 - qualquer produto que tenha sido alterado ou modificado
 - qualquer produto cujas marcações de identificação de origem (marca comercial, número de série) tiverem sido apagadas, alteradas ou retiradas
 - quaisquer danos causados pelo incumprimento do Manual de Instruções
 - qualquer produto que não seja da Comunidade Europeia
 - qualquer produto ao qual tenha sido feita, ou tentada fazer, uma reparação por outra pessoa que não um profissional habilitado ou sem autorização prévia da Techtronic Industries.
 - qualquer produto ligado a uma fonte de alimentação eléctrica incorrecta (Amperes, Voltagem e Frequência)
 - qualquer produto utilizado com uma mistura de combustível incorrecta (combustível, óleo, percentagem de óleo)
 - qualquer dano causado por influências externas (químicas, físicas, impactos) ou substâncias estranhas
 - desgaste e degradação normal de sobresselentes
 - utilização incorrecta, sobrecarga da ferramenta
 - utilização de acessórios ou peças não aprovados
 - quaisquer ajustes periódicos a, ou limpeza de manutenção de, carburadores
 - Componentes (peças e acessórios) sujeitos a desgaste e degradação natural, incluindo mas não se limitando a, maçanetas anti-choque, correias de transmissão, embraiagens, lâminas de recortadores de sebes ou corta-relvas, ameses, cabos de acelerador, escovas de carvão, cabos eléctricos, dentes, anilhas de feltro, pinos de engate, ventoinhas do soprador, tubos do soprador e do aspirador, cintas e sacos do aspirador, barras de guia, correntes de serra, mangueiras, peças de ligação, bocais de pulverização, rodas, varinhas de pulverização, bobinas interiores, bobinas exteriores, linhas de corte, velas de ignição, filtros do ar, filtros de gasolina, lâminas trituradoras, etc.
- Para assistência, o produto tem de ser enviado para, ou apresentado em, um posto de assistência autorizado RYOBI, conforme listado para cada país na lista de moradas de postos de assistência seguinte. Nalguns países, o seu concessionário RYOBI local encarrega-se de enviar o produto para a organização de assistência RYOBI. Quando enviar um produto para um posto de assistência RYOBI, o produto deve ser embalado de forma segura, sem conter nenhum conteúdo perigoso (por exemplo, gasolina), marcado com o endereço do remetente e acompanhado por uma breve descrição da avaria.
- Uma reparação/substituição ao abrigo desta garantia é gratuita. Não constitui um prolongamento a, nem um novo início de, o período da garantia. As peças ou ferramentas substituídas tomam-se propriedade nossa. Nalguns países, o remetente terá de pagar os custos de entrega ou a remessa postal. Os seus direitos previstos por lei resultantes da compra da ferramenta mantêm-se inalterados
- Esta garantia é válida na Comunidade Europeia, Suíça, Islândia, Noruega, Liechtenstein, Turquia e Rússia. Fora destas áreas, entre em contacto com o seu concessionário autorizado RYOBI para determinar se existe outra garantia aplicável.

CENTRO DE ASSISTÊNCIA AUTORIZADO

Para encontrar um centro de assistência autorizado próximo de si, visite <http://pt.ryobitools.eu/header/service-and-support/service-agents>.

DA RYOBI® BETINGELSER FOR GARANTI

Udover lovbestemte rettigheder, som resulterer af købet, er dette produkt dækket af en garanti, som anført herunder.

- Garantiperioden er 24 måneder for forbrugere og begynder på den dato, som produktet blev købt. Denne dato skal dokumenteres af en faktura eller andet bevis for køb. Produktet er udelukkende designet og dedikeret til forbrugere og privat brug. Så der ydes ingen garanti i tilfælde af professionel eller kommerciel brug.
- Der er en mulighed for at forlænge garantiperioden for en del af udvalget af haveværktøj (AC/DC), hen over den ovenfor beskrevne periode vha. registrering på hjemmesiden www.ryobitools.eu. Berettigelsen af værktøjet til forlængelse af garantiperioden er tydeligt vist i butikker og/eller på emballage/og indeholdt i produktokumentationen. Slutbrugeren skal registrere hans/hendes nytilkøbte værktøj online indenfor 30 dage efter købsdatoen. Slutbrugeren kan registrere sig for den forlængede garanti i sit land, hvis han/hun er opført på den online registreringsformular, hvor denne mulighed er gyldig. Derudover skal slutbrugere give deres samtykke til at opbevare data, som er påkrævet at indtaste online, og de er nødt til at acceptere vilkår og betingelser. Registreringsbekræftelseskvitteringen, som sendes ud på e-mail, og den originale faktura, som viser købsdatoen, vil fungere som bevis for den forlængede garanti.
- Garantien dækker alle defekter, som et produkt måtte have i løbet af garantiperioden, og som skyldes produktionsfejl eller materialefejl på købsdatoen. Garantien er begrænset til reparation og/eller udskiftning og inkluderer ikke andre forpligtelser, inklusiv men ikke begrænset til tilfældige skader eller følgeskader. Garantien er ugyldig, hvis produktet er blevet misbrugt, brugt uden at overholde vejledningen, eller det er blevet forkert tilsluttet. Denne garanti gælder ikke:
 - Beskadigelse af produktet, som er et resultat af uegnet vedligeholdelse
 - Et produkt der er blevet ændret eller modificeret
 - Et produkt hvor de originale identifikationsmærkninger (varemærke, serienummer) er blevet ødelagt, ændret eller fjernet.
 - Enhver beskadigelse forårsaget af manglende overholdelse af vejledningen
 - Ethvert ikke CE-produkt
 - Ethvert produkt som er blevet forsøgt repareret af en ukvalificeret professionel eller uden tidligere autorisation af Techtronic Industries.
 - Ethvert produkt som er tilsluttet uegnet strømforsyning (ampere, spænding, frekvens)
 - Ethvert produkt som bruges med uegnet brændstofblandning (brændstof, olie, procentdel olie)
 - Enhver skade forårsaget af ekstern påvirkning (kemisk, fysisk, chok) eller fremmedelementer
 - Normal slid på reservedele
 - Uegnet brug, overbelastning af værktøjet
 - Brug af ikke-godkendt tilbehør eller dele
 - Alle regelmæssige justeringer eller vedligeholdelsesrengøring af karburatorer
 - Komponenter (dele og tilbehør) som er udsat for naturlig slid og ælde, inklusiv men ikke begrænset til drejeknapper, drivrem, greb, klinger til hæktrimmere eller plæneklypere, sele, kabel gasspæld, kulbørster, elledning, lænder, fitskiver, ophængstapper, blæseventilatorer, blæser- og sugeslanger, sugepose og stropper, styrestænger, savkæder, slanger, forbindelsespakninger, sprøjtedyser, hjul, sprøjtestave, indvendige ruller, udvendige ruller, udvendige spoler, skærelinjer, tændrør, luftfilter, gasfilter, tildækningsblade etc.
- For eftersyn skal produktet sendes til eller præsenteres for en RYOBI- autoriseret service værksted, som er oplyst for hvert land i den følgende liste over service værksted adresser. I nogle lande påtager din lokale RYOBI-forhandler sig ansvaret for at sende produktet til RYOBI-serviceorganisationen. Når et produkt sendes til en RYOBI-service værksted, skal det pakkes sikkert ind uden noget farligt indhold som benzin, mærkes med afsenderens adresse og med en kort beskrivelse af fejlen.
- En reparation/erstatning under denne garanti er gratis. Den udgør ikke en forlængelse eller en ny start på garantiperioden. Udvekslede dele eller værktøjer bliver vores ejendom. I nogle lande skal leveringsafgifter eller porto betales af afsenderen. Dine lovbestemte rettigheder i forbindelse med købet forbliver uanfægtede
- Denne garanti gælder i EU, Schweiz, Island, Norge, Liechtenstein, Tyrkiet og Rusland. Udenfor disse områder bedes du kontakte din autoriserede RYOBI-forhandler for at afgøre, om en anden garanti gælder.

AUTORISEREDE SERVICEVÆRKSTEDER

Find nærmeste autoriserede serviceværksted på <http://dk.ryobitools.eu/header/service-and-support/service-agents>.

SV RYOBI® ANVÄNDNINGSVILLKOR FÖR GARANTI

Förutom eventuella lagstadgade rättigheter som uppstår genom köpet, täcks den här produkten av en garanti som anges nedan.

- Garantiperioden är 24 månader för konsumenter och börjar gälla från det datum då produkten köptes. Detta datum måste dokumenteras på en faktura eller annat köpbevis. Produkten är utformad och avsedd för konsumenter och privat bruk. Därmed tillhandahålls ingen garanti vid yrkesmässigt eller kommersiellt bruk.
- Det finns möjlighet att förlänga garantiperioden för en del av utbudet för trädgårdsverktyg (AC/DC) under den period som anges ovan genom att använda registreringen på webbplatsen www.ryobitools.eu. De verktyg som är berättigade till en förlängning av garantiperioden visas tydligt i butikerna och/eller på förpackningen/och anges i produktdokumentationen. Slut användaren behöver registrera hans/hennes nyförvärvade verktyg online inom 30 dagar från köpdatumet. Slut användaren kan registrera sig för den förlängda garantin i det land där han/hon bor om landet finns angivet i registreringsformuläret online och där detta alternativ är giltigt. Dessutom måste slut användaren ge sitt medgivande till lagring av data vilket krävs vid registrering online samt acceptera villkoren. Bekräftelsekvittot för registreringen som skickas ut via e-post och originalfakturan som visar köpdatumet kommer att gälla som bevis för den förlängda garantin.
- Garantin täcker alla produktdefekter under garantiperioden som beror på brister i utförande eller material vid köpdatumet. Garantin är begränsad gällande reparation och/eller utbyte och inkluderar inte några skyldigheter inklusive men inte begränsat till oförutsedda skador eller följskador. Garantin är inte giltig om produkten har missbrukats, använts i strid med bruksanvisningen eller inte anslutits på rätt sätt. Denna garanti täcker inte:
 - eventuella skador på produkten som uppstått till följd av felaktigt underhåll
 - produkter som har ändrats eller modifierats
 - produkter där ursprungliga identifieringsmärken (varumärke, serienummer) har målats över, ändrats eller tagits bort
 - eventuella skador som uppstått till följd av att bruksanvisningen inte efterföljts
 - alla icke CE-produkter
 - eventuella produkter som har försökt repareras av en icke-kvalificerad yrkesman eller utan föregående medgivande från Techtronic Industries.
 - eventuella produkter som anslutits till felaktig strömförsörjning (ampere, volt, frekvens)
 - eventuella produkter som använts med olämplig bränsleblandning (bränsle, olja, oljeprocent)
 - eventuella skador som uppstått till följd av yttre påverkan (kemisk, fysisk, stötar) eller främmande ämnen
 - normalt slitage av reservdelar
 - olämplig användning, överbelastning av verktyget
 - användningen av icke-godkända tillbehör eller delar
 - Eventuella periodiska justeringar av eller vid underhållsrengöring av förgasare
 - Komponenter (delar och tillbehör) är föremål för naturligt slitage, inklusive men inte begränsat till tryckknappar, drivremmar, koppling, blad till kantrimmer eller gräsklippare, sele, gasreglagevajer, kolborstar, strömsladd, spetsar, filtbrickor, kopplingsprint, blåsfäkt, blås- och sugrör, sugpåse och remmar, styrskenor, sågkedjor, slangar, anslutningsdonördel, spraymunstycken, hjul, spraystavar, innerullar, ytterspolar, skärtråd, tändstift, luftfilter, gasfilter, sonderdelningsblad osv.
- Vid service måste produkten skickas eller uppvisas för en RYOBI-auktoriserad servicestation som står angiven för varje land i följande adresslista över servicestationer. I vissa länder tar din lokala RYOBI-återförsäljare på sig ansvaret att skicka produkten till RYOBI-serviceorganisationen. När en produkt skickas till en RYOBI-servicestation, ska produkten paketeras säkert utan något farligt innehåll såsom bensin, markeras med avsändarens adress samt en kort beskrivning av felet.
- En reparation/ett utbyte under denna garanti är kostnadsfri. Det utgår inte en förlängning eller fömyelse av garantiperioden. Utbyta delar eller verktyg blir vår egendom. I vissa länder måste leveranskostnader eller porto betalas av avsändaren. Dina lagstadgade rättigheter som härrör från köpet av verktyget förblir opåverkade.
- Denna garanti är giltig i Europeiska gemenskapen: Schweiz, Island, Norge, Liechtenstein, Turkiet och Ryssland. Utanför dessa länder, kontakta din auktoriserade RYOBI-återförsäljare för att avgöra om en annan garanti gäller.

AUKTORISERAT SERVICECENTER

Du hittar närmaste auktoriserade servicecenter genom att gå till <http://se.ryobitools.eu/header/service-and-support/service-agents>.

FI RYOBI®-TAKUUN SOVELTAMISEHDOT

Tällä tuotteella on oston luomien lakisääteisten oikeuksien ohella alla mainitun mukainen takuu.

- Takuun kesto on kuluttajille 24 kuukautta ja takuuaika alkaa tuotteen ostohetkestä. Tämän päivämäärän tulee lukea laskussa tai muussa ostotositteesta. Tuote on suunniteltu ja tarkoitettu vain kuluttajien ja yksityiseen käyttöön. Takuu ei siis kata ammatti- eikä kaupallista käyttöä.
- Joidenkin puutarhatyökalujen (AC/DC) takuun kestoa on mahdollista laajentaa yllä mainittua kestoa pidemmäksi verkkosivuston www.ryobitools.eu rekisteröinnin kautta. Työkalujen kelpoisuus takuujakson laajennukseen näkyy selkeästi myymälöissä ja/tai pakkauksissa ja/tai tämä tieto sisältyy tuotedokumentaation. Loppukäyttäjän täytyy rekisteröidä vasta hankitut työkalut internetissä 30 päivän kuluessa ostopäivämäärästä. Loppukäyttäjä voi rekisteröidä laajennetun takuun kotimaassaan, jos se on luoteltuna online-rekisteröintilomakkeessa, jossa mainitaan, missä tämä vaihtoehto on voimassa. Loppukäyttäjien täytyy lisäksi hyväksyä tietojen tallennus, jotka heidän täytyy antaa online-illassa sekä ehdot. Rekisteröinnin vahvistuskuitin, joka lähetetään sähköpostitse, ja alkuperäinen ostopäivämäärän ilmaiseva lasku toimivat laajennetun takuun tositteina.
- Takuu kattaa kaikki tuotteeseen takuuaikana tulevat viat, joiden aiheuttajina ovat tuotteessa ostopäivänä olleet valmistus- tai materiaaliviat. Takuu on rajoitettu korjaukseen ja/tai vaihtoon eikä se sisällä mitään muita palveluita mukaan lukien satunnais- ja seurannaisvaihintoja, mutta rajoittumatta niihin. Takuu ei päde, jos tuotetta on käytetty väärin, käyttöohjeen vastaisesti tai jos se on liitetty virheellisesti. Tämä takuu ei kata:
 - virheellisestä huollosta johtuvia vaurioita
 - muunnettua tai muutettua tuotetta
 - tuotetta, jonka alkuperäiset tunnistemerkinnät (tavaramerkki, sarjanumero) on turmeltu, muutettu tai poistettu
 - tämän käyttöoppaan laimintyönistä johtuvia vaurioita
 - ei-CE-tuotetta
 - tuotetta, jota on yrittänyt korjata epäpätevä ammattilainen tai joka on korjattu ilman Techtronic Industriesin ennakkolupa.
 - tuotetta, joka on liitetty virheelliseen teholahteeseen (ampeirit, jännite, taajuus)
 - tuotetta, jossa on käytetty väärää polttoaineseosta (polttoaine, öljy, öljyprosentti)
 - ulkoisten vaikutusten (kemiallinen, fyysinen, iskut) tai vieraiden aineiden aiheuttamaa vauriota
 - normaaleja kuluvia varaosia
 - virheellistä käyttöä, työkalun ylikuumitusta
 - ei-hyväksytyjen tarvikkeiden tai osien käyttöä
 - Kaasutinren säännöllistä säätöä tai ylläpitävää puhdistusta
 - Luonnollisesti kuluvia komponentteja (osia tai tarvikkeita), joihin sisältyvät puskunupit, käyttöihnat, kytkin, pensasleikkuriin tai ruohonleikkuriin terät, valjaat, kaasuvaijeri, hiiharjat, virtajohto, piikit, huopatiivisteet, sokkatapit, puhallinten tuuletin, puhallin- ja imuputket, imuriin säkit ja ihnat, terälevyt, sahankeljut, letkut, liittinot, suihkusuihuttimet, pyörät, ruiskutusputket, sisä- ja ulkokelat, leikkusuihimat, hehkutulpat, imansuodatimet, kaasusuodatimet, silpputerät yms. näihin kuitenkaan rajoittumatta.
- Tuote on läheletävä huollettavaksi valtuutettuun RYOBI-huoltoon tai näytettävä siellä. Niiden osoitteet kussakin maassa löytyvät seuraavasta luettelosta. Joissakin maissa paikallinen RYOBI-jälleenmyyjä huolehtii tuotteen lähetyksestä RYOBI-huolto-organisaatioon. Kun tuote lähetetään RYOBI-huoltoon, se täytyy pakata hyvin ilman vaarallisia aineita, kuten polttoainetta, ja pakkaukseen täytyy merkitä lähettäjän nimi sekä vian lyhyt kuvaus.
- Takuun kattama korjaus/vaihto on maksuton. Se ei tarkoita takuuaajan laajennusta tai alkamista alusta. Vaihdetut osat tai työkalut siirtyvät valmistajan omistukseen. Joissakin maissa lähettäjän täytyy maksaa lähetyksenkustannukset tai postikulut. Työkalun oston luomat lakisääteiset oikeudet pysyvät koskemattomina
- Tämä takuu on voimassa Euroopan yhteisössä, Sveitsissä, Islannissa, Norjassa, Liechtensteinissa, Turkissa ja Venäjällä. Ota näiden alueiden ulkopuolella yhteyttä omaan valtuutettuun RYOBI-jälleenmyyjään ja selvitä, onko jotain muuta takuuta.

VALTUUTETTU HUOLTO

Voit etsiä lähimmän valtuutetun huollon sivulta <http://fi.ryobitools.eu/header/service-and-support/service-agents>.

NO RYOBI® GARANTIBETINGELSER

I tillegg til eventuelle lovbestemte rettigheter som følger av kjøpet, er dette produktet dekket av en garanti som angitt nedenfor.

1. Garantiperioden er 24 måneder for konsumenter og gjelder fra den datoen som produktet ble kjøpt. Denne datoen skal dokumenteres med en faktura eller annet kjøpsbevis. Produktet er designet og beregnet kun til konsument- og privat bruk. Så det gis ingen garanti ved profesjonell eller kommersiell bruk.
2. For en del av utvalget av hageverktøy (AC/DC) er det mulighet til å utvide garantiperioden i den perioden som er beskrevet ovenfor ved bruk av registreringen på nettsidene www.ryobitools.eu. Kvalifisering av verktøyene for en utvidelse av garantiperioden er tydelig vist i butikker og/eller på pakningen / og finnes innen produktdokumentasjonen. Slutbrukeren må registrere sine nylig anskaffede verktøy online innen 30 dager etter kjøpsdato. Slutbrukeren kan registrere seg for den utvidede garantien i sitt land hvis det er opplistet på online registreringskjemaet der dette alternativet er gyldig. Videre må slutbrukere gi sitt samtykke til oppbevaring av dataene som kreves for å gå online, og de må godta vilkår og betingelser. Registreringsbekreftelsen, som sendes ut på e-post, og den originale fakturaen som viser kjøpsdato, vil tjene som bevis for den utvidede garantien.
3. Garantien dekker alle defekter i produktet under garantiperioden på grunn av defekter i utførelse eller materiale på kjøpsdato. Garantien er begrenset til å reparere og/eller erstatte og inkluderer ikke noen andre forpliktelser, inkludert, men ikke begrenset til, tilfeldige eller følgesmessige skader. Garantien er ikke gyldig hvis produktet har blitt misbrukt, brukt på annen måte enn det som beskrives i bruksanvisningen eller er koblet til på feil måte. Denne garantien gjelder ikke for
 - enhver skade på produktet som er resultat av utlitrerkelig vedlikehold
 - ethvert produkt som har blitt endret eller modifisert
 - ethvert produkt der de originale identifiseringsmerkene (varemerke, serienummer) har blitt uleselig, er endret eller fjernet
 - enhver skade som forårsakes av ikke-overholdelse av instruksjonsboken
 - ethvert ikke-CE-produkt
 - ethvert produkt som har blitt forsøkt reparert eller av en ikke-kvalifisert fagperson eller uten tidligere autorisasjon fra Techtronic Industries.
 - ethvert produkt tilkoblet feil strømforsyning (ampere, spenning, frekvens)
 - ethvert produkt som brukes med feil drivstoffblandning (drivstoff, olje, prosentandel olje)
 - enhver skade som er forårsaket av eksterne påvirkninger (kjemiske, fysiske, støt) eller fremmede stoffer
 - normal slitasje og slitereservedeler
 - feil bruk, overbelastning av verktøyet
 - bruk av ikke-godkjent tilbehør eller deler
 - Eventuelle periodiske justeringer av eller vedlikeholdsgrensing av forbrennere
 - Komponenter (deler og tilbehør) som er underlagt naturlig slitasje, inkludert, men ikke begrenset til bulkknøtter, drivreimer, clutch, blader på hekktrimmere eller gressklippere, seler, kabelspjeld, karbonbørster, stråmledning, kniver, feltpakninger, heispinner, blåsevifter, blåse- og vakuumslang, vakuumpose og reimer, førerstenger, sagkjeder, stråmper, koblingsmonteringer, spraydyser, hjul, språstenger, indre spoler, ytre spoler, kuttelinjer, tennplugg, luftfilter, gassfilter, mulchingblader osv.
4. For service må produktet sendes eller fremlegges for en RYOBI- autorisert servicestasjon opplistet for hvert land i den følgende listen over servicestasjonsadresser. I noen land sender den lokale RYOBI- forhandleren produktet til RYOBI serviceorganisasjonen. Ved å sende et produkt til en RYOBI servicestasjon skal produktet være sikkert pakket uten noe farlig innhold, slik som bensin, merket med senderens adresse og fulgt av en kort beskrivelse av feilen.
5. En reparasjon/erstatning under denne garantien er gratis. Den utgjør ingen forlengelse eller en ny start av garantiperioden. Utvexlede deler eller verktøy blir vår eiendom. I noen land vil leveringskostnader eller frankering måtte betales av senderen. Dine lovbestemte rettigheter som oppstår fra kjøp av verktøyet forblir uberørt.
6. Denne garantien er gyldig i EU, Sveits, Island, Norge, Liechtenstein, Tyrkia og Russland. Utenfor disse områdene ta kontakt med din autoriserte RYOBI-forhandler om en annen garanti gjelder.

AUTORISERT SERVICESENTER

For å finne et autorisert servicesenter i nærheten, gå til <http://no.ryobitools.eu/header/service-and-support/service-agents>.

RU УСЛОВИЯ ПРИМЕНЕНИЯ ГАРАНТИИ НА ПРОДУКЦИЮ RYOBI®

Помимо законных прав, возникающих при покупке, данное изделие покрывается гарантией в соответствии с приведенными ниже пунктами.

1. Гарантийный период для покупателя составляет 24 месяца с даты покупки изделия. Дата покупки должна быть подтверждена полностью заполненным гарантийным талоном и чеком о покупке. Данное изделие предназначено только для частного использования покупателем. Поэтому гарантия не распространяется на использование в профессиональных или коммерческих целях.
2. Предусмотрена возможность продления для части изделий линейки садовых инструментов (AC/DC) гарантийного периода с помощью регистрации на сайте www.ryobitools.eu. Право инструмента на продление гарантийного периода четко указано в магазинах и / или на упаковке / и содержится в сопутствующей инструменту документации. Конечный пользователь должен зарегистрировать свой приобретенный инструмент в течение 30 дней с даты покупки. Конечный пользователь может зарегистрировать свой инструмент на продление гарантии в стране своего проживания, если она указана в форме онлайн-регистрации. Кроме того, конечный пользователь должен дать свое согласие на хранение данных, которые необходимо ввести в онлайн-форму и принять правила и условия. Подтверждение регистрации, которое вы получите по электронной почте, заполненный гарантийный талон и оригинальный чек, в котором указана дата покупки, будут служить доказательством продленной гарантии.
3. Гарантия покрывает в течение гарантийного периода все дефекты качества или материала изделия на дату покупки. Гарантия ограничена ремонтом и / или заменой и не включает никакие другие обязательства, включая, но не ограничиваясь случайными или косвенными убытками. Гарантия становится недействительной, если изделие использовалось не по назначению, вопреки инструкциям, данным в Руководстве пользователя или было неправильно подключено. Настоящая гарантия не распространяется на:
 - любые повреждения изделия в результате неправильного технического обслуживания или недостаточного ухода за инструментом
 - любые изделия, подвергшиеся изменениям и модификации
 - любые изделия, оригинальные идентификационные отметки которого (торговая марка, серийный номер) были повреждены, изменены или удалены
 - любые повреждения, вызванные несоблюдением инструкций Руководства пользователя
 - любые изделия, не сертифицированные маркировкой "CE" для продажи в Европейском союзе
 - любые изделия, подвергшиеся попыткам ремонта неавторизованным работником или без предварительного утверждения компанией Techtronic Industries.
 - любые изделия, подключенные к неправильному источнику питания (сила тока, напряжение, частота)
 - любые изделия, в которых использовались несуществующие топливные смеси (топливо, масло, процент масла)
 - любые повреждения, вызванные внешними воздействиями (химические, физические, удары) или посторонними веществами
 - естественный износ запасных деталей
 - несоответствующее использование, перегрузка инструмента
 - использование неутвержденных аксессуаров и неоригинальных запасных деталей
 - любые регулярные регулировки, техническое обслуживание или чистка карбюраторов
 - компоненты (детали и аксессуары), подверженные естественному износу, включая, но не ограничиваясь фиксаторы шпули приводные ремни, сцепные муфты, лезвия триммеров и газонокосилок, плечевые ремни, кабельный дроссельный регулятор, угольные щетки, кабели питания, зубья, войлочные шайбы, фиксирующие шпильки, вентиляторы воздухоудуки, трубки воздухоудуки и пылесоса, мешок для сбора мусора и ремни, пыльные шины, пыльные цепи, шланги, соединительные детали, распылительные насадки, колеса, распылительные переходники, внутренние катушки и шпули, режущую леску, свечи зажигания, воздушные и топливные фильтры, мульчирующие лезвия и др.
4. Для проведения технического обслуживания изделие следует направлять в авторизованные сервисные центры RYOBI, указанные для каждой страны в приведенном ниже списке адресов станций сервисного обслуживания. В некоторых странах местные дилеры RYOBI отправляют изделия в сервисные организации RYOBI. При отправке изделия в сервисный центр RYOBI, изделие должно быть безопасно упаковано и не содержать никаких опасных веществ, таких как бензин, должен быть подписан адрес отправителя и сопровождаться кратким описанием неисправности.
5. Ремонт / замена проводится в рамках настоящей гарантии бесплатно. Он не продлевает гарантию и не начинает новый гарантийный период. Замененные детали и инструменты становятся нашей собственностью. В некоторых странах отправитель должен оплачивать стоимость отправки. Ваши законные права, возникшие при покупке инструмента, остаются неизменными.
6. Данная гарантия действительна в Европейском Сообществе, Швейцарии, Исландии, Норвегии, Лихтенштейне, Турции и России. Вне указанных территорий обращайтесь к своему авторизованному дилеру RYOBI, чтобы узнать, применяются ли условия каких-либо других гарантий.

УПОЛНОМОЧЕННЫЙ СЕРВИСНЫЙ ЦЕНТР

Чтобы найти ближайший уполномоченный сервисный центр, обратитесь к веб-сайту <http://ru.ryobitools.eu/header/service-and-support/service-agents>.

PL WARUNKI GWARANCJI RYOBI®

Oprócz praw ustawowych wynikających z zakupu produkt jest objęty gwarancją, której warunki podano poniżej.

- Okres gwarancyjny wynosi 24 miesiące dla konsumentów i rozpoczyna się w dniu zakupu produktu. Datę zakupu należy udokumentować fakturą lub innym dowodem zakupu. Produkt został zaprojektowany i jest przeznaczony do użytku konsumenckiego i prywatnego. W związku z tym gwarancja nie obejmuje zastosowań profesjonalnych i komercyjnych.
- Istnieje możliwość wydłużenia okresu gwarancyjnego dla części asortymentu narzędzi ogrodniczych (AC/DC) poprzez zarejestrowanie produktu na stronie internetowej www.ryobitools.eu. Kwalifikowalność narzędzi do wydłużenia okresu gwarancyjnego jest wyraźnie określona w sklepach i/lub na opakowaniu oraz w dokumentacji produktu. Użytkownik końcowy musi zarejestrować nowo kupione narzędzia online w ciągu 30 dni od daty zakupu. Użytkownik końcowy może zarejestrować się w celu przedłużenia gwarancji w swoim kraju zamieszkania, jeżeli jest on wymieniony w formularzu rejestracji online, gdzie opcja ta obowiązuje. Ponadto użytkownicy końcowi muszą wyrazić zgodę na przechowywanie danych, wprowadzanych na stronie internetowej i zaakceptować regulamin. Dowodem wydłużenia gwarancji jest wysłane pocztą elektroniczną potwierdzenie rejestracji i oryginał faktury potwierdzającej datę zakupu.
- Gwarancja obejmuje wszystkie wady produktu ujawnione w okresie gwarancyjnym wynikające usterek wykonania lub materiału obcych w dniu zakupu. Gwarancja jest ograniczona do naprawy i/lub wymiany i nie obejmuje żadnych innych zobowiązań, w tym między innymi odpowiedzialności za szkody przypadkowe lub włóme. Gwarancja nie obowiązuje, jeżeli produkt był nieprawidłowo używany, używany niezgodnie z instrukcją lub nie był prawidłowo podłączony. Gwarancja nie obejmuje:
 - uszkodzenia produktu wynikającego z nieprawidłowej konserwacji,
 - produktu, który został zmieniony lub zmodyfikowany,
 - produktu, którego oryginalne oznaczenie (znak towarowy, numer seryjny) zostało zniszczone, zmienione lub usunięte,
 - jakiegokolwiek uszkodzeń wynikających z nieprzestrzegania instrukcji,
 - jakiegokolwiek produktu bez certyfikatu CE,
 - jakiegokolwiek produktu, który próbowano naprawić z pomocą niewykwalifikowanej osoby lub bez uzyskania wcześniejszej zgody firmy Techtronic Industries,
 - jakiegokolwiek produktu podłączonego nie prawidłowego źródła zasilania (nieprawidłowe napięcie prądu, napięcie, czystość),
 - jakiegokolwiek produktu, który był używany z nieprawidłową mieszanką paliwową (paliwo, olej, procentowy udział oleju),
 - jakiegokolwiek uszkodzeń spowodowanych wpływem czynników zewnętrznych (chemicznych, fizycznych, drgań) lub substancji obcych,
 - normalnego zużycia części zamiennych,
 - nieprawidłowego użycia, przecięcia narzędzia,
 - stosowania niezatwierdzonych akcesoriów lub części,
 - jakiegokolwiek okresowych regulacji lub czyszczenia gaźników w ramach konserwacji
 - elementów (części i akcesoriów) podlegających naturalnemu zużyciu, obejmujących, między innymi, kopułki do zwalniania łyłki, pasy napędowe, sprzęgło, ostrza przycinarek do żywopłotów lub kosiariek do trawy, uprząż, przepustnicę linkową, szczotki węglowe, przewód zasilania, zęby, podkładki filcowe, kołki podnośnika, wentylatory dmuchawy, rury nadmuchowe i ssawne, worek na śmieci i paski, prowadnice, łańcuchy piły, węże, mocowanie złączy, dysze natryskowe, koła, przęty natryskowe, szpułte wewnętrzne, szpułte zewnętrzne, filtry gazu, ostrza do ściółkowania itp.
- W celu serwisowania produkt należy wysłać lub okazać w autoryzowanym punkcie serwisowym RYOBI znajdującym się na przedstawionym poniżej wykazie punktów serwisowych w poszczególnych krajach. W niektórych krajach lokalny dystrybutor produktów RYOBI podejmuje się wysyłki produktu do centrum serwisowego RYOBI. W przypadku wysyłki do punktu serwisowego RYOBI produkt — pozbawiony jakiegokolwiek niebezpiecznych substancji, na przykład benzyny — należy bezpiecznie zapakować i dołączyć adres nadawcy oraz krótki opis usterek.
- Naprawa/wymiana w ramach niniejszej gwarancji jest bezpłatna. Nie stanowi jednak o przedłużeniu lub rozpoczęciu od nowa biegu okresu gwarancyjnego. Wymienione części lub narzędzia stają się naszą własnością. W przypadku niektórych krajów nadawca będzie musiał uregulować koszty dostawy lub opłaty pocztowe. Prawa ustawowe wynikające z zakupu narzędzia pozostają niezmiennione.
- Niniejsza gwarancja obowiązuje w Unii Europejskiej, Szwajcarii, Islandii, Norwegii, Liechtensteinie, Turcji i Rosji. Poza tymi obszarami należy skontaktować się z autoryzowanym dostawcą produktów RYOBI i ustalić, czy obowiązuje inna gwarancja.

AUTORYZOWANY PUNKT SERWISOWY

Najbliższy autoryzowany punkt serwisowy można wyszukać w witrynie internetowej <http://pl.ryobitools.eu/header/service-and-support/service-agents>.

CS ZÁRUČNÍ PODMÍNKY RYOBI®

Kromě zákonných práv vyplývajících z koupě výrobku se na tento výrobek vztahuje také níže uvedené záruka.

- Záruční doba pro spotřebitele je 24 měsíců a začíná datem nákupu výrobku. Datum musí být zaznamenáno na faktuře nebo jiném dokladu o koupi. Tento výrobek je navržen a určen pouze pro soukromé účely spotřebitelů. Záruka se tedy nevztahuje na profesionální nebo komerční využití výrobku.
- U některých zahradních nástrojů (AC/DC) je možné záruční dobu prodloužit. K tomu je nutná registrace na stránkách www.ryobitools.eu. Možnost prodloužení záruční doby výrobků je jasně uvedena v prodejních, popř. na obalech nebo v dokumentech o výrobku. Koncový uživatel musí svůj nový nástroj zaregistrovat online do 30 dnů od data nákupu. Koncový uživatel se může k prodloužení záruční době zaregistrovat v zemi trvalého pobytu, pokud je tato uvedena na internetovém registračním formuláři u výrobku, kde je tato možnost dostupná. Koncoví uživatelé musí dále souhlasit s uložením osobních údajů, která musí zadat na internetu, a přijmout obchodní podmínky. E-mail s potvrzením registrace a původní faktura s datem koupě poslouží jako důkaz o prodloužené záruce.
- Záruka se vztahuje na veškeré vady na výrobku v rámci záruční doby způsobené výrobními vadami nebo vadami materiálu v době koupě. Záruka je omezena na opravu, popřípadě výměnu a nezahrnuje žádné další povinnosti, včetně mimo jiné vedlejších či následných odškodnění. Záruka neplatí při použití výrobku k nevhodným účelům, v rozporu s uživatelskou příručkou nebo při nesprávném zapojení. Záruka se nevztahuje na:
 - veškeré škody na výrobku způsobené nesprávnou údržbou
 - veškeré produkty, které byly pozměněny nebo upraveny
 - veškeré produkty, kde byly původní identifikační prvky (obchodní značka, sériové číslo) poškozeny, pozměněny nebo odstraněny
 - veškeré škody způsobené nedodržováním pokynů uživatelské příručky
 - veškeré produkty bez CE certifikace
 - veškeré produkty, které se pokusil opravit nequalifikovaný odborník nebo opravy bez předchozího svolení společnosti Techtronic Industries,
 - veškeré produkty zapojené do nesprávného elektrického zdroje (proud, napětí, frekvence)
 - veškeré produkty používané s nevhodnou palivovou směsí (palivo, olej, procento oleje)
 - veškeré škody způsobené externími vlivy (chemickými, fyzickými, nárazy) nebo cizími látkami
 - běžné opotřebování dílů
 - nevhodné použití, přetěžování nástroje
 - použití neschválených příslušenství nebo dílů
 - veškerá pravidelná seřízení nebo čištění v rámci údržby karburátorů
 - komponenty (díly a příslušenství) podléhající opotřebení, včetně mimo jiné nárazových koleček, posuvných pětů, spojek, nožů plotových nůžek a sekaček na trávu, popruhu, plynového lanka, karbonových kartáčů, napájecího kabelu, zubů, plstěných podložek, závěsných košíků, větráků fukaru, trubic fukaru a vysavače, vaku a popruhů vysavače, vodících lišt, pilových řetězů, hadic, konektorů, trysek, kol, stříkacích tyčí, vnitřních cívek, vnějších kotoučů, řezných strun, zapalovacích svíček, vzduchových filtrů, plynových filtrů, mulčovacích nožů atd.
- K provedení servisu musí být výrobek zaslán nebo předán do autorizovaného servisního centra společnosti RYOBI, jejichž adresy jsou uvedeny podle zemí v seznamu servisních center. V některých zemích za vás výrobek pošle servisní organizaci RYOBI sám prodejce výrobků této značky. Při zasílání výrobku do servisního centra RYOBI je potřeba výrobek bezpečně zabalit bez nebezpečného obsahu jako benzín, opatřit adresou odesílatele a připojit krátký popis závady.
- Oprava, popř. výměna v rámci této záruky je zdarma. Neznamená to prodloužení nebo začátek nové záruční lhůty. Vyměněné díly nebo nástroje přejdou do našeho vlastnictví. V některých zemích platí poštovné odesílatele. Vaše zákonná práva vyplývající z koupě tohoto nástroje zůstávají nedotčena.
- Tato záruka platí v Evropském Společenství, Švýcarsku, Norsku, Lichtenštejnsku, Turecku, Rusku a na Islandu. Mimo tato území kontaktujte autorizovaného prodejce značky RYOBI, který zjistí, zda se na výrobek vztahuje jiná záruka.

POVĚŘENÉ SERVISNÍ STŘEDISKO

Pro nalezení nejbližšího pověřeného servisního střediska navštivte <http://cz.ryobitools.eu/header/service-and-support/service-agents>.

HU A RYOBI® GARANCIA ALKALMAZÁSÁNAK FELTÉTELEI

A vásárlásból adódó törvényben rögzített jogok mellett a termékre az alábbi garancia vonatkozik.

1. A fogyasztói garancia tartama 24 hónap, mely a termék vásárlásának napjával kezdődik. Ezt a dátumot számlával vagy a vásárlást igazoló egyéb dokumentummal kell bizonyítani. A termék rendelkezése csak fogyasztói és magáncéllú használat esetén a garancia nem érvényes.
2. A kerli szerszámok (egyenáramú/váltóáramú) egy részénél a garancia időtartama a www.ryobitools.eu weblapon regisztrálva meghosszabbítható. Az áruházakban, a csomagoláson, illetve a termék dokumentációjában egyértelműen jelezve van, hogy az adott termék garanciája meghosszabbítható-e. A végfelhasználónak a vásárlás dátumától számított 30 napon belül regisztrálnia kell az újonnan vásárolt szerszámot. A végfelhasználó akkor regisztrálhat a kiterjesztett garanciára, ha az ország, ahol lakik, fel van sorolva az online regisztrációs úrlapon azon országok között, ahol választható ez az opció. Ezenkívül a végfelhasználónak bele kell egyeznie az online regisztrálás során szükséges adatok tárolásába, és el kell fogadnia a felhasználási feltételeket. A kiterjesztett garanciát a regisztráció beérkezésétől e-mailben küldött visszaigazolás és a vásárlás dátumát tartalmazó eredeti számla igazolja.
3. A garancia a termék vásárlásakor fennálló, a gyártás során keletkezett hibákra és anyaghibákra érvényes a garanciális időtartamon belül. A garancia csak a javításra/cserére korlátozódik, és nem terjed ki semmilyen egyéb kötelezettségre, nem kizárólagosan ideértve a véletlen vagy szándékos rongálást. A garancia nem érvényes, ha a terméket nem megfelelően, a használati utasításban foglaltakkal ellentétben, illetve nem megfelelően csatlakoztatva használták. A garancia nem vonatkozik
 - a terméket a nem megfelelő karbantartás következtében ért károsodásra
 - megváltoztatott vagy átalakított termékre
 - olyan termékre, melyen az eredeti azonosítókat (védjegy, sorozatszám) megromogálták, megváltoztatták vagy eltávolították
 - a használati utasítás be nem tartásából eredő kára
 - CE jelöléssel nem rendelkező termékekre
 - olyan termékre, melyet nem képzett, illetve a Techtronic Industries által nem feljogosított szerelő javított
 - nem megfelelő (áramerősségű, feszültségű, frekvenciájú) áramforrásra csatlakoztatott termékre
 - nem megfelelő üzemanyag-keverékkel (üzemanyag, olaj, olaj aránya) használt termékre
 - külső (vegyi, fizikai, ütés) hatásokból vagy idegen anyagokból eredő károka
 - a cserélhető alkatrészek természetes kopására és elhasználódására
 - a szerszám helytelen használatára, túlterhelésére
 - nem jóváhagyott tartozékok és alkatrészek használatára
 - A karburátorok rendszeres beállítása, karbantartása, tisztítása
 - A természetes kopásnak és elhasználódásnak kitett alkatrészek és kiegészítők, például (de nem kizárólag) damildobok, ékszíjak, foglalatok, sövényvágók és fűnyírók kése, heveder, gázbowden, szénkefék, tápkábel, kultivátorfogak, ficalátétek, akasztószögek, fűvókésűlékek ventilátora, fűvő- és szívócsövek, szívózsák és pántok, terelőrudak, fűrészláncok, támlők, csatlakozószerelvények, permetezőfejek, kerekék, permetezőszárak, belső dobok, külső csévek, vágódamikok, gyújtógyertyák, légszűrők, gázsűrők, mulcoszókések stb.
4. A terméket javításra el kell vinni egy meghatalmazott RYOBI szervizbe; ezeket az egyes országokhoz a következő listában találja. Egyes országokban a helyi RYOBI kereskedő vállalja a termék elszállítását a RYOBI szervizbe. A terméket veszélyes tartalom, például benzín nélkül csomagolva, a feladó címét feltüntetve, a hiba rövid leírásával együtt küldje el a RYOBI szervizbe.
5. A jelen garancia hatálya alatt végzett javítás, illetve csere ingyenes. Nem jelenti a garanciális időtartam újraindulását. A kicserélt alkatrészek és szerszámok a mi tulajdonunkba kerülnek. Egyes országokban a szállítás vagy postázás költségét a feladó viseli. A vevőnek a szerszám megvásárlásából adódó törvényes jogai nem változnak.
6. Jelen garancia az Európai Közösségben, Svájcban, Izlandon, Norvégiában, Liechtensteinben, Törökországban és Oroszországban érvényes. E területen kívül kérdezze meg a RYOBI forgalmazót, hogy milyen garancia van érvényben.

HIVATALOS SZERVIZKÖZPONT

A legközelebbi hivatalos szervizközpont megtalálásához látogasson el a <http://hu.ryobitools.eu/header/service-and-support/service-agents>.

RO CONDIȚII DE APLICARE A GARANȚIEI PENTRU PRODUSELE RYOBI®

În plus față de condițiile statutare rezultate din achiziționarea acestui produs, acesta este acoperit de garanția stipulată mai jos.

1. Perioada de garanție este de 24 de luni pentru consumatori și începe de la data achiziționării produsului. Data de începere a garanției trebuie demonstrată cu o factură sau altă dovadă a cumpărării produsului. Produsul este destinat și conceput doar pentru utilizare în scopuri personale. Din acest motiv, nu se oferă garanție pentru utilizarea sa în scop profesional sau comercial.
2. Există posibilitatea de extindere a perioadei de garanție pentru gama de unelte electrice pentru grădina (de CA/CC) peste perioada stipulată mai sus prin înscrierea produsului pe website-ul www.ryobitools.eu. Eligibilitatea pentru perioada de extindere a garanției este afișată în mod clar în magazinele de vânzare și/sau pe ambalaj sau este inclusă în documentația livrată împreună cu produsul. Utilizatorul final este obligat să-și înregistreze produsul online în termen de maxim 30 de zile de la achiziția acestuia. Utilizatorul final poate înregistra produsul pentru garanția extinsă oferită în țara sa de rezidență dacă aceasta este listată în formularul de înregistrare online și dacă această opțiune este validă. În plus, utilizatorul final trebuie să-și dea acordul pentru stocarea datelor personale solicitate la înregistrarea online și trebuie să accepte termenii și condițiile. Mesajul de confirmare a înregistrării, trimis prin e-mail și factura originală cu data achiziției vor dovedi perioada de garanție extinsă.
3. Garanția acoperă toate defecțiunile produsului survenite în perioada de garanție datorate defectelor de execuție sau materialelor folosite, începând cu data achiziției acestuia. Garanția este limitată la reparare și/sau înlocuire și nu include alte obligații, inclusiv, dar fără a se limita la daune accidentale sau rezultate pe cale de consecință. Garanția își pierde valabilitatea dacă produsul este utilizat necorespunzător, utilizat neconform cu instrucțiunile de utilizare din manualul cu instrucțiuni sau conectat incorect. Garanția nu se aplică în cazul:
 - oricărei defecțiuni survenite în urma întreținerii necorespunzătoare a produsului
 - oricărui produs alterat sau modificat
 - oricărui produs la care inscripțiile cu datele de identificare (marca comercială, numărul de serie) au fost șterse, modificate sau îndepărtate
 - oricărei defecțiuni datorate neconformării cu instrucțiunile din manualul de utilizare
 - oricărui produs necertificat CE
 - oricărui produs asupra căruia au fost efectuate tentative de reparare de către personal necalificat sau fără autorizație prealabilă din partea Techtronic Industries.
 - oricărui produs conectat la o sursă de alimentare necorespunzătoare (curent, tensiune, frecvență)
 - oricărui produs utilizat cu un amestec de carburant necorespunzător (combustibil, ulei, proporții de adaos ulei)
 - oricărui defecțiuni datorate unor influențe externe (chimice, fizice, șocuri) sau substanțe străine
 - uzurii și fisurării normale a pieselor de rezervă
 - utilizării neadecvate, suprasolicitanii uneltei
 - utilizării de piese și accesorii neaprobate
 - Orice operații de curățare sau reglare periodică a carburatoarelor
 - Componentele (piese și accesorii) supuse uzurii și defecțiilor normale, care includ, fără a se limita la manșoane de protecție, curele de transmisie, ambreiaj, lamele de la tăietoarele de arbore sau gazon, harnașamente, cablu de accelerație, perii de cârbune, cordon de alimentare, dinți, discuri de păsă, știfturi de siguranță, ventilatoare de suflantă, tuburi de aspirare sau suflare, sac de colectare resturi și banda de susținere a acestuia, bare de ghidare, lanțuri de fierăstrău, furtunuri, accesorii de conectare, duze de pulverizare, volante, baghete de pulverizare, moșoare interne, carcasa exterioară pentru moșoare, fire tăietoare, bujii, filtre de aer, filtre de gaz, lame de tocător, etc.
4. Pentru efectuarea reparațiilor, produsul trebuie trimis sau adus la un centru de reparații autorizat RYOBI din lista următoare de centre de reparații prezentate pentru fiecare țară. În anumite țări, reprezentantul local RYOBI va trimite produsul spre reparare la sediul central de reparații RYOBI. Atunci când trimiteți produsul spre reparare la un centru de reparații RYOBI, acesta trebuie ambalat în siguranță, fără conținut periculos (cum ar fi benzină), marcat cu adresa expeditorului și însoțit de o scurtă descriere a defectului.
5. Repararea/inlocuirea în perioada de garanție este gratuită. Aceasta nu este însoțită de o prelungire sau o reințiere a perioadei de garanție. Piesele sau uneltele schimbate devin proprietatea dvs. În anumite țări, taxele de expediție sau poștale vor fi suportate de expeditor. Drepturile dvs. statutare rezultate din achiziția produsului rămân neschimbate.
6. Această garanție este valabilă în Comunitatea Europeană, Elveția, Islanda, Norvegia, Liechtenstein, Turcia și Rusia. În afara acestor zone, vă rugăm să contactați reprezentantul dvs. local RYOBI pentru a determina dacă se aplică alt tip de garanție.

CENTRU DE SERVICE AUTORIZAT

Pentru a găsi un centru de service autorizat lângă dvs., vizitați <http://en.ryobitools.eu/header/service-and-support/service-agents>.

LV RYOBI® GARANTIJAS PIEMĒROŠANAS NOSACĪJUMI

Papildus jebkādam likumiskajām tiesībām, kuras rodas, veicot pirkumu, izstrādājums tiek nodrošināts ar tālāk tekstā noteikto garantiju.

1. Garantijas periods patērētājiem ir 24 mēneši, tā atskaitē tiek sākta no datuma, kurā veikta izstrādājuma iegāde. Šim datumam jābūt dokumentētām rēķinā vai citā pirkumu apliecinošā dokumentā. Izstrādājums ir radīts un paredzēts tikai patērētāja privātai lietošanai. Saistībā ar iepriekšminēto, garantija netiek nodrošināta profesionālās vai komerciālās lietošanas gadījumā.
2. Pastāv iespēja pagarināt daļas no dārza instrumentu kļāsta (Maiņstrāvas/akumulatoru) garantiju ilgāk par iepriekš minēto periodu, izmantojot reģistrāciju interneta vietnē www.ryobitools.eu. Instrumenti, kas pakļauti garantijas perioda pagarināšanai, tiek skaidri apzīmēti veikalos un/vai uz iepakojuma un izstrādājumu komplektējošajā dokumentācijā. Gala lietotājam nepieciešams reģistrēt tā iegādāto jauno instrumentu 30 dienu laikā no pirkuma datuma. Gala lietotājs var reģistrēties pagarinātājai garantijai savā mītnes valstī, ja tā minēta tiešsaistes reģistrācijas veidlapā, kurā šī iespēja ir aktīva. Bez tam, gala lietotājam ir jānodrošina piekrišana tiešsaistes ievadīšanai nepieciešamo datu glabāšanai un jāpiekrīt noteikumiem un nosacījumiem. Reģistrācijas apstiprinājums, kas tiek nosūtīts, izmantojot e-pastu, un rēķina oriģināls, kurā norādīts iegādes datums, kalpo kā pagarinātās garantijas apstiprinājums.
3. Garantija attiecas uz visiem izstrādājuma defektiem garantijas periodā, kas saistīti ar ražošanas vai materiālu defektiem no pirkuma datuma. Šī garantija tiek ierobežota ar remontu un/vai nomainītu un neietver jebkādas citas saistības, tajā skaitā, bet ne tikai, cēloņsakarīgas vai saistītas bojājumus. Garantija nav spēkā, ja izstrādājums ir nepareizi lietots, izmantots pretēji norādēm lietošanas rokasgrāmatā vai bijis nepareizi pieslēgts. Šī garantija netiek attiecināta uz:
 - jebkādiem izstrādājuma bojājumiem, kas radušies nepareizas uzrādēšanas rezultātā
 - jebkuru izstrādājumu, kas ticis pārveidots vai mainīts
 - jebkuru izstrādājumu, kura oriģinālās identifikācijas (preču zīme, sērijas numurs) marķējums ir ticis nodzēsts, mainīts vai noņemts
 - jebkādiem bojājumiem, kuri radušies neievērojot norādes lietošanas rokasgrāmatā
 - jebkādam izstrādājumam bez CE sertifikācijas
 - jebkuram izstrādājumam, kura remontu mēģinājis veikt nekvalificēts personāls vai bez Techronic Industries iepriekšējās autorizācijas.
 - jebkuram izstrādājumam, kurš bijis pieslēgts neatbilstošu parametru (strāvas, sprieguma, frekvences) sprieguma avotam
 - jebkuram izstrādājumam, kurš bijis izmantots ar nepareizu degvielas maisījumu (degviela, eļļa, eļļas procentuālais saturs)
 - jebkuriem bojājumiem, kuri radušies ārējas iedarbības (ķīmiskas, fiziskas, triecieni) vai vielu ietekmē
 - detaļu normāla lietošanas nodiluma rezultātā
 - nepareizas lietošanas vai instrumentu pārslodzes rezultātā
 - neapstiprinātu detaļu vai aprīkojuma lietošanas rezultātā
 - jebkādos periodiskus karburatoru regulēšanas darbus vai apkopes līrīšanu
 - Komponentus (daļas un aksesuārus), kas pakļauti dabīgam nodilumam, ieskaitot, bet neaprobežojoties ar atslēgām pogām, piedziņas siksnām, saļņiem, krūmu šķēru un pļaujmašīnu asmeņiem, uzkabēm, droseļu trosīšiem, oglekļa sukām, elektrības vadīem, tapām, filca paplākšņiem, sakābes tapām, pūtēja ventilatoriem, pūtēja un sūkšanas caurulēm, savākšanas maisiem un siksnām, vadotņu plankām, zāģu ķēdēm, šūtenēm, savienojumu uzgaļiem, izsmidzinātāja uzgaļiem, rīteņiem, izsmidzinātāja caurulēm, iekšējām spolēm, ārējām spolēm, pļaušanas auklām, aizdedzes svečēm, gaisa filtriem, degvielas filtriem, mulčēšanas asmeņiem, utt.
4. Servisa nodrošināšanai, izstrādājums ir jānodod pilnvarotā RYOBI servisa centrā, kas norādīts katrai valstij tālāk minētajā servisa centru adresē sarakstā. Dažās valstīs jūsu vietējais RYOBI izplatītājs uzņemas izstrādājuma nosūtīšanu uz RYOBI servisa organizāciju. Nosūtīt izstrādājumu uz RYOBI servisa centru, izstrādājuma jābūt droši iepakotam, tas nedrīkst saturēt bīstamas vielas kā degvielu, sūtiņumam jābūt marķētam ar sūtītāja adresi un īsu kļūmes aprakstu.
5. Remonts/nomainīga šīs garantijas ietvaros ir bezmaksas. Tas nerada garantijas perioda pagarināšanu vai jaunu garantiju. Nomainītās daļas vai instrumentu kļūst par mūsu īpašumu. Dažās valstīs piegādes vai pasta izmaksas būs jāapmaksā sūtītājam. Jūsu likumiskās tiesības, kas nodibinās, iegādājoties instrumentu, paliek nemainīgas
6. Šī garantija ir spēkā Eiropas Kopienā, Šveicē, Islandē, Norvēģijā, Lichtenšteinā, Turcijā un Krievijā. Ārpus šīm teritorijām, lūdz, sazinieties ar jūsu pilnvaroto RYOBI izplatītāju, lai noteiktu, vai ir piemērojama cita garantija.

AUTORIZĒTS APKALPOŠANAS CENTRS

Lai atrastu tuvāko autorizēto apkalpošanas centru, apmeklējiet <http://en.ryobitools.eu/header/service-and-support/service-agents>.

LT „RYOBI®“ GARANTIJOS TAIKOMO SĄLYGOS

Papildant bet kokias įstatymuose numatytas perkant atsirandančias teises, šiam įrenginiui taikoma toliau nurodyta garantija.

1. Vartotojams suteikiama 24 mėnesių trukmės garantija nuo įrenginio įsigijimo datos. Ši data turi būti nurodyta sąskaitoje faktūroje ar kitame pirkimą įrodančiame dokumente. Šis įrenginys skirtas tik vartotojų rinkai ir asmeniškai naudojimui. Todėl garantija netaikoma, jei įrenginys naudojamas profesinėms ar komercinėms reikmėms.
2. Įsigijus tam tikrus sodo įrenginius (AC/DC), suteikiama galimybė pratęsti garantiją, kad ji galiotų ilgiau, nei nurodyta pirmiau, naudojantis registracija interneto svetainėje www.ryobitools.eu. Ar galima pratęsti įrenginio garantinį laikotarpį, aiškiai nurodoma parduotuvėse ir (arba) ant įrenginio pakuotės, ir (arba) įrenginio dokumentuose. Galutinis naudotojas turi užregistruoti savo naujai įsigytą įrenginį per 30 dienų nuo įsigijimo datos. Galutinis naudotojas gali registruotis išplėstinei garantijai savo gyvenamojoje šalyje, jei ji nurodyta internetinėje registracijos formoje, kurioje siūloma tokia galimybė. Be to, galutiniai naudotojai turi sutikti su duomenų, kuriuos reikia įvesti internetu, saugojimu ir svetainės naudojimo sąlygomis. Kaip išplėstinės garantijos įrodymas naudojamas registracijos patvirtinimo kvitas, atsiunčiamas el. paštu, ir originali sąskaita faktūra, kurioje nurodyta įsigijimo data.
3. Ši garantija apima visus garantiniu laikotarpiu aptiktus įrenginio trūkumus, atsiradusius dėl gamybos arba medžiaginių defektų nuo įsigijimo datos. Ši garantija ribojama remontu ir (arba) pakeitimu, jei neapima jokių klijų įsipareigojimų, įskaitant (bet tuo neapsiribojant) šaltinius arba antrinius nuostolius. Garantija anuluojama, jei įrenginys buvo naudojamas netinkamai, naudojamas ne pagal naudojimo instrukciją arba netinkamai prijungtas. Ši garantija netaikoma:
 - jokiai įrenginiui padarytai žalai, kurią lėmė netinkama techninė priežiūra;
 - jokiai įrenginiui, kuris buvo keičiamas ar modifikuojamas;
 - jokiai įrenginiui, kurio originalūs identifikavimo ženklai (prekės ženklas, serijos numeris) buvo sugadinti, pakeisti arba pašalinti;
 - jokiai žalai, kurią lėmė naudojimo instrukcijos nesilaikymas;
 - jokiems CE ženklų nepažymėtiems įrenginiams;
 - jokiai įrenginiui, kurį bandė remontuoti nekvalifikuoti asmenys arba kuris buvo remontuojamas be „Techronic Industries“ leidimo;
 - jokiai įrenginiui, kuris buvo prijungtas prie netinkamo maitinimo tinklo (netinkamos srovės, įtampos, dažnio);
 - jokiai įrenginiui, kuris buvo naudojamas su netinkamu degalų mišiniu (degalai, alyva, maišymo santykis);
 - jokiai žalai, kurią lėmė išorinis poveikis (cheminis, fizinis, smūgiai) arba pašalinės medžiagos;
 - dėvimosioms dalims;
 - netinkamam naudojimui, įrenginio perkrovai;
 - nepatvirtintų priedų arba dalių naudojimui;
 - Jokiai reguliariam karbiuratorių reguliavimui arba priežiūros ir valymo darbams
 - Komponentams (dalims ir priedams), kurie natūraliai dėvisi, įskaitant (bet tuo neapsiribojant) spyruoklines galvutes, pavaru diržus, sankabą, gyvatvorių genėtuvų ar žoliapjovių geležtes, diržus, trosinį drošelį, anglinius šepetėlius, maitinimo kabelį, virbus, fetro poveržles, prikabinimo kaisčius, pūstuvo ventilatorius, pūstuvo ir siurblio vamzdžius, siurblio maišą ir diržus, kreipiamuosius strypus, pjūklų grandines, žarnes, jungiamąsias detales, purškimo antgalius, ratus, purškimo liestukus, vidines rites, išorines rites, pjovimo vielą, uždegimo žvakės, oro filtrus, dujų filtrus, mulčiamavimo geležtes ir pan.
4. Prireikus atlikti priežiūros darbus, įrenginį reikia siųsti arba atvežti RYOBI įgaliotajam priežiūros centrui, nurodytam kiekvienos šalies priežiūros centrų adresų sąrašė. Kai kuriose šalyse vietinis RYOBI atstovas siunčia įrenginį RYOBI priežiūros organizacijai. Siunčiant įrenginį RYOBI priežiūros centrui, reikia saugiai jį supakuoti pašalinant visas pavojingas medžiagas, pvz., benzina, nurodyti ant pakuotės siuntėjo adresą ir pridėti trumpą gedimo aprašymą.
5. Pagal šią garantiją remontas / keitimas atliekami nemokamai. Tokie veiksmai netaikomi garantijos pratęsimu arba naujo garantinio laikotarpio pradžia. Dalys arba įrenginiai, kuriuos pakeitėme, tampa mūsų nuosavybė. Kai kuriose šalyse pristatymo ir pašto išlaidas turi padengti siuntėjas. Įstatymuose numatytos jūsų teisės, atsirandančios perkant įrenginį, lieka nepakeistos
6. Ši garantija galioja Europos bendrijoje, Šveicarijoje, Islandijoje, Norvegijoje, Lichtenšteine, Turkijoje ir Rusijoje. Jei gyvenate ne šiose šalyse, kreipkitės į įgaliotąjį RYOBI atstavą ir sužinokite, ar jums taikoma kita garantija.

ĮGALIOJAS TECHNINĖS PRIEŽIŪROS CENTRAS

Jei norite surasti įgaliotą techninės priežiūros centrą netoli Jūsų, apsilankykite interneto svetainėje <http://en.ryobitools.eu/header/service-and-support/service-agents>.

ET RYOBI® GARANTIIINGIMUSED

Lisaks toote ostust tulenevatele seadusjärgsetele õigustele, kehtib tootele ka alltoodud garantiiga.

1. Tarbijatele on garantii aeg 24 kuud ja algab sellel kuupäeval, mil toode osteti. Selle kuupäeva tõestuseks on vaja arvet või mõnda teist tõendit ostu sooritamise kohta. Toode on mõeldud eratarbijatele ainult isiklikuks kasutamiseks. Seega ei kehti garantii ostu kasutamisel kutsetegevuses või kaubanduslikel eesmärkidel.
2. Teatud osale (vahelduvvoolu/alalisvoolu) aiatööriistadele on võimalik pikendada eespool toodud garantiiaega, kasutades toote registreerimist veebilehel www.ryobitools.eu. Teave tööriista võimaliku pikendatud garantiiaja kohta on selgelt esile toodud poodides ja/või pakendil / ning see sisaldub toote dokumentatsioonis. Lõpptarbijaja peab registreerima oma uued tööriistad interneti teel 30 päeva jooksul pärast ostupäeva. Lõppkasutaja võib registreerida pikendatud garantiiaja saamise oma elukohariigis, kui veebis olevas registreerimisvormis on see valik lubatud. Lisaks peavad kasutajad andma oma nõusoleku veebis nõutud sisestatavate andmete sailitamiseks ning nad peavad nõustuma tingimustega. E-posti teel saadetav registreerimise kinnitus ja arve originaal, kus on näha ostu sooritamise kuupäeva, on pikendatud garantiiaja tõestuseks.
3. Garantii katab kõik defektid toote garantiiaja jooksul, kui ostu kuupäeval ilmnevad talitus- või materjalvead. Garantii piirub toote remondi ja/või väljavahetamisega ning ei sisalda muid kohustusi, muu hulgas ettenägematuid või kaudseid kahjusid. Garantii ei kehti, kui toodet ei ole kasutatud sihtotstarbeliselt või kooskõlas kasutusjuhendiga või see on valesti ühendatud. Garantii ei kehti järgmistel põhjustel:
 - toode on kahjustatud vale hoolduse tõttu
 - toodet on muudetud
 - toote algsel põhjal identifitseerimismärkised (kaubamärk, seerianumber) on nikutud, muudetud või eemaldatud
 - kahju on tekkinud kasutusjuhendi mittejärgimisest
 - tootel puudub CE-märk
 - toodet on puudnud remondida vastavat kvalifikatsiooni mitte omav isik või ilma firma Technronic Industries eelneva loata.
 - toode on ühendatud valesse toiteallikasse (voolutugevus, pinge, sagedus)
 - tootega kasutati sobimatut kütusesegu (kütus, õli, õli protsent)
 - välismõjude (keemilised, füüsikalised, elektrilöögid) või võõrkehade tekitatud kahju
 - tavapärane kulumine ja katkised varuosad
 - ebaõige kasutamine, tööriista ülekoormamine
 - heakskiitmata tarvikute või osade kasutamine
 - Karburaatorite korraldis reguleerimistööd või hooldus- ja puhastustööd
 - Komponentid (osad ja tarvikud), mida iseloomustab kulumine ja vananemine, muu hulgas puutenupud, kiilrihmad, sidur, hekilõikurite või murunõelade lõiketerad, rakmed, gaasitross, süsinikharjad, toitejuhe, freesitõtt, vidist seibid, tihvtid, õhuväliatõtt, puhuri- ja imuritõtt, kogumiskott ja rihtmud, juhikud, saeketid, voolikud, liitmikud, puhusti otsakud, rattad, pritsi varred, sisemised poolid, välimised poolid, lõhvid, süüteküünlad, õhufiltrid, gaasifiltrid, multišmitterad jne.
4. Hoolduseks peab toote saatma või viima RYOBI volitatud teenindusse, mille aadressi leiab järgnevat teeninduspunkti nimekirjast vastava riigi alt. Mõnedes riikides võib kohalik RYOBI edasimüüja enda kanda kohustuse saata toode RYOBI teenindusorganisatsiooni. Toote saatmisel RYOBI teenindusse peab toode olema ohutult pakitud ja ei tohi sisaldada ohtlikke aineid (nt bensiini), kirjas peab olema saatja aadress ja lisatud vea lühikirjeldus.
5. Garantii alusel tehtavad remonditööd / asendamine on tasuta. See ei pikenda garantii kehtivusaega ega tähistata uue garantiiaja algust. Väljavahetatud osad või tööriistad kuuluvad meile. Mõnedes riikides maksab kätetoimetamis- ja postikulud saatja. Teile jäävad kehtima tööriista ostust tulenevad seadusjärgsed õigused
6. See garantii kehtib Euroopa Ühenduse territooriumil, Šveitsis, Islandil, Norras, Liechtensteinis, Türgis ja Venemaal. Väljaspool neid piirkondi võtke ühendust volitatud RYOBI edasimüüjaga, et teha kindlaks kas kehtib mõni teine garantii.

VOLITATUD HOOLDUSKESKUS

Oma volitatud hoolduskeskuse leiate veebisaidilt <http://en.ryobitools.eu/header/service-and-support/service-agents>.

HR UVJETI PRIMJENE JAMSTVA TVRTKE RYOBI®

Osim svim zakonskim pravima koja proizlaze iz kupnje, ovaj je proizvod pokriven jamstvom kako je navedeno u nastavku.

1. Jamstveno razdoblje za potrošače traje 24 mjeseca i počinje s datumom na koji je proizvod kupljen. Taj datum mora se dokumentirati računom ili drugim dokazom o kupnji. Proizvod je konstruiran i namijenjen samo za privatnu upotrebu korisnika. Stoga se jamstvo ne daje u slučaju profesionalne ili komercijalne uporabe.
2. Postoji mogućnost da se za dio asorimana vrtnih alata pokretanih izmjeničnom strujom (AC/DC) produži gore navedeno jamstveno razdoblje putem registriranja na mrežnom mjestu www.ryobitools.eu. Uvjeti koje je potrebno zadovoljiti kako bi se produžilo jamstveno razdoblje jasno su istaknuti u prodavaonicama i / ili na pakiranju / i nalaze se unutar dokumentacije proizvoda. Krajnji korisnik mora registrirati svoje novo kupljene alate na mreži u roku od 30 dana od datuma kupnje. Krajnji korisnik može se registrirati za produženo jamstvo u svojoj zemlji boravišta ako se nalazi na popisu u mrežnom obrascu za registraciju gdje je ta opcija važeća. Nadalje, krajnji korisnici moraju dati svoj pristanak na pohranu podataka koji su potrebni za mrežni ulazak i moraju prihvatiti odredbe i uvjete. Potvrda o prijemu registracije, koja se šalje putem e-pošte, kao i originalni račun s vidljivim datumom kupnje poslužit će kao dokaz produženog jamstva.
3. Jamstvo pokriva sve nedostatke proizvoda tijekom jamstvenog razdoblja koji su nastali zbog neispravnosti prilikom izrade ili materijala s datumom kupnje. Jamstvo je ograničeno na popravak i/ili zamjenu i ne obuhvaća nikakve druge obveze, uključujući, ali ne ograničavajući se na slučajne ili posljedične štete. Jamstvo ne vrijedi ako je proizvod bio zlorabljeno, korišten u suprotnosti s priručnikom s uputama ili ako je pogrešno spojen. Ovo jamstvo ne primjenjuje se na:
 - svako oštećenje proizvoda koje je rezultat nepravilnog održavanja
 - svaki proizvod koji je izmijenjen ili modificiran
 - svaki proizvod gdje su originalne identifikacijske oznake (zaštitni znak, serijski broj) izbrisane, zamijenjene ili uklonjene
 - svako oštećenje uzrokovano neprimjerenom upotrebom priručnika
 - svaki proizvod koji nije CE
 - svaki proizvod koji je pokušao popraviti neovlašten profesionalac ili bez prethodnog odobrenja od strane Technronic Industries
 - svaki proizvod priključen na nepravilno napajanje energijom (amperi, napon, frekvencija)
 - Svaki proizvod korišten s neodgovarajućom mješavinom (gorivo, ulje, postotak ulja)
 - svako oštećenje uzrokovano vanjskim utjecajima (kemijsko, fiziko, udar) ili stranim stvarima
 - normalno trošenje i habanje rezervnih dijelova
 - nepravilno korištenje, preopterećenje alata
 - korištenje neodobrenog dodatnog pribora ili dijelova
 - rasplinjača nakon 6 mjeseci, podešavanje rasplinjača nakon 6 mjeseci
 - komponente (dijelovi i dodatni pribor) koji su predmet prirodno trošenja i habanja, uključujući no ne ograničavajući se na gumbe za otpuštanje, pogonske remene, spojku, oštrice trimera za grmlje ili kosilicu, kope, sajle gasa, ugljene četke, kabele za napajanje, noževe, podloške, ztike za zglobnu vezu, ventilatore puhalice, cijevi za ispuhivanje i usisavanje, vakuumske vrećice i trake, vodilice, lance pile, crijeva, priključene elemente, mlaznice za raspršivanje, klatče, kopljica za raspršivanje, unutarnje kolute, vanjske kaleme, floskove, svjećice, filtre za zrak, filtre za plin, oštrice za usitnjavanje itd.
4. Za potrebe servisiranja, proizvod se mora poslati ili odnijeti u ovlaštenu servisnu postaju tvrtke RYOBI navedenu na sljedećem popisu s adresama servisnih postaja u svakoj zemlji. U nekim zemljama, vaš lokalni RYOBI zastupnik obvezuje se da će poslati proizvod u servisnu organizaciju tvrtke RYOBI. Kada se proizvod šalje u neku servisnu postaju tvrtke RYOBI, proizvod se mora sigurno pakirati bez ijednog od opasnih sadržaja kao što je benzin, na njemu mora pisati adresa pošiljatelja i mora biti popraćen kratkim opisom kvara.
5. Popravak / zamjena pod ovim jamstvom su besplatni. Oni ne predstavljaju produženje ili novi početak jamstvenog razdoblja. Zamijenjeni dijelovi ili alati postaju naše vlasništvo. U nekim državama troškove isporuke ili poštarinu mora platiti pošiljatelj. Vaša zakonska prava koja proizlaze iz kupnje alata ostaju nepromijenjena
6. Ovo jamstvo vrijedi u Europskoj uniji, Švicarskoj, Islandu, Norveškoj, Lihtenštajnu, Turskoj i Rusiji. Izvan tih područja vas molimo da se obratite svojem ovlaštenom zastupniku tvrtke RYOBI kako biste utvrdili primjenjuje li se drugo jamstvo.

OVLAŠTENI SERVISNI CENTAR

Za pronalaženje ovlaštenog servisnog centra pored vas posjetite <http://en.ryobitools.eu/header/service-and-support/service-agents>.

SL POGOJI ZA VELJAVNOST GARANCIJE RYOBI®

Poleg morebitnih zakonsko določenih pravic, ki izvirajo iz nakupa, za ta izdelek velja spodaj navedena garancija.

- Garancijsko obdobje je za potrošnike 24 mesecev in začne teči z dnem nakupa izdelka. Ta datum mora biti dokumentiran z računom ali drugim dokazilom o nakupu. Izdelek je zasnovan in namenjen izključno za potrošnikovo zasebno uporabo. V primeru strokovne oziroma komercialne uporabe izdelka garancija ne velja.
- Obstaja možnost podaljšanja garancije na del naše ponudbe vrtnih orodij (AC/DC) prek obdobja garancije, opisanega zgoraj, s pomočjo registracije na spletnem mestu www.ryobitools.eu. Ustreznost orodij za podaljšanje garancijskega obdobja je jasno prikazana v trgovinah in/ali na embalaži oziroma je navedena v dokumentaciji izdelka. Končni uporabnik mora registrirati svoje novo orodje na spletu v 30 dneh po datumu nakupa. Končni uporabnik lahko registrira podaljšano garancijo v svoji državi bivanja, če je na obrazcu spletne registracije navedeno, da ta možnost velja za njegovo državo. Poleg tega morajo končni uporabniki podati svoje soglasje za shranjevanje podatkov, ki so potrebni za spletni dostop in morajo sprejeti pogoje in določila uporabe spletnega mesta. Potrđilo o registraciji, ki ga pošljemo prek e-pošte, in originalni račun, ki prikazuje datum nakupa, služita kot dokazilo o podaljšani garanciji.
- Garancija krije vse okvare izdelka, do katerih pride v garancijskem obdobju zaradi napak v izdelavi ali materialu, ki so bile prisotne ob datumu nakupa. Garancija je omejena na popravilo in/ali zamenjavo in ne vključuje nobenih drugih obveznosti, med drugim vključno z naključno ali posledično škodo. Garancija ne velja, če je bil izdelek napačno uporabljen, uporabljen v nasprotju z navodili iz priročnika za uporabo ali če ni bil pravilno povezan. Ta garancija ne velja za:
 - škodo na izdelku, ki je posledica neustreznega vzdrževanja
 - spremenjen ali prilagojen izdelek
 - izdelek, katerega originalna identifikacijska oznaka (blagovna znamka, serijska številka) je bil poškodovan, spremenjena ali odstranjena
 - škodo, ki je posledica neupoštevanja navodil iz priročnika za uporabo
 - izdelek, ki nima oznake CE
 - izdelek, ki ga je poskušal popraviti ne kvalificiran strokovnjak ali ki je bil popravljen brez predhodne odobritve s strani družbe Techtronic Industries.
 - izdelek, ki je bil povezan na neustrezno napajanje (amperska moč, napetost, frekvenca)
 - izdelek, ki je bil uporabljen z neustrezno mešanico goriva (gorivo, olje, odstotek olja)
 - škodo, ki jo povzročijo zunanji vplivi (kemični, fizični, mehanski) ali tuje snovi
 - rezervne dele, ki so podvrženi običajni uporabi
 - neprimo uporabo, preobremenitev orodja
 - uporabo neodobrenih dodatkov ali delov
 - Vsako redno prilagajanje ali vzdrževalno čiščenje uplinjačev
 - Komponente (sestavni in rezervni deli), ki so podvrženi običajni obrabi, med drugim vključno z gumbi odbijača, pogonskimi jemeni, sklopko, rezili obrezovalnikov za žive meje ali kosilnic za trato, nosilnimi pasovi, kablji, dušilnimi ventili, oglikovimi krtačami, napajalnimi kablji, zobci, tesnili iz filca, vezniimi zatiči, ventilatorji pihalnika, cevni pihalnika in sesalnika, vrečko in pasovi sesalnika, vodilnimi palicami, verigami motorne žage, cevni, priključki, razpršilnimi šobami, kolesi, razpršilnimi palicami, notranjimi kolesci, zunanjiimi motki, rezalnimi vrvicami, vžigalnimi svečkami, zračnimi filtri, plinskimi filtri, rezili za mulčenje itd.
- Za servisiranje morate izdelek poslati ali prnesti v pooblaščen servisni center družbe RYOBI, ki je naveden za vsako državo na naslednjem seznamu naslovov servisnih centrov. V nekaterih državah se vaš lokalni posrednik družbe RYOBI obveže, da bo poslal izdelek na servis družbe RYOBI. Ko pošiljate izdelek v servisni center družbe RYOBI, mora biti izdelek varno zapakiran in ne sme vsebovati nobenih nevarnih snovi, kot je npr. bencin, opremljen pa mora biti z naslovom pošiljatelja in vsebovati kratek opis napake.
- Popravilo/zamenjava v skladu s to garancijo sta brezplačni storitvi. To pa ne predstavlja podaljšanja ali ponovnega začetka garancijskega obdobja. Zamenjani deli ali orodja postanejo naša last. V nekaterih državah stroške dostave ali poštnino plača pošiljatelj. Vaše zakonsko določene pravice, ki izvirajo iz nakupa orodja, ostajajo nespremenjene.
- Ta garancija velja v Evropski skupnosti, Švici, Islandiji, na Norveškem, v Lichtenštajnu, v Turčiji in Rusiji. Izven teh območij se obrnite na svojega pooblaščenega posrednika izdelkov RYOBI, dealer ki vam bo povedal, ali velja kakšna druga garancija.

POOBLAŠČEN SERVISNI CENTER

Pooblaščen servisni center blizu vas poiščite na <http://en.ryobitools.eu/header/service-and-support/service-agents>.

SK ZÁRUČNÉ PODMIENKY RYOBI®

Na tento výrobok sa okrem všetkých zákonných práv, vyplývajúcich z nákupu, vzťahuje záruka v nasledovnom znení.

- Záručná doba pre spotrebiteľa je 24 mesiacov a začína plynúť odo dňa, kedy bol výrobok zakúpený. Tento dátum musí byť doložený faktúrou alebo iným dokladom o zakúpení. Výrobok je navrhnutý a určený pre spotrebiteľov a len na súkromné používanie. Preto sa záruka sa neposkytuje v prípade použitia na profesionálne a komerčné účely.
- V prípade záhradného náradia (na striedavý/jednosmerný prúdu AC/DC), existuje možnosť predĺženia záručnej doby oproti záručnej dobe, uvedenej vyššie, s využitím on-line registrácie na webovej stránke www.ryobitools.eu. Označenie na náradí o nároku na predĺženie záručnej doby je zreteľne uvedené v obchodoch a/alebo na obale a je uvedené v dokumentácii k výrobku. Koncový používateľ musí zaregistrovať svoje novozískané náradie on-line do 30 dní odo dňa nákupu. Koncový používateľ sa môže zaregistrovať na predĺženú záruku v krajine svojho bydliska, ak je v on-line registračnom formulári uvedená táto možnosť. Ďalej musia koncoví používatelia ešte dať svoj súhlas k uchovávaniu údajov, ktoré je potrebné zadať on-line a musia súhlasiť s podmienkami. Potvrdenie o prijatí registrácie, ktorý je zaslané e-mailom a originálna faktúra, v ktorej je uvedený dátum nákupu, slúžia ako dôkaz o predĺžení záruky.
- Záruka sa vzťahuje na všetky poruchy výrobku v záručnej dobe, spôsobené chybami materiálu alebo spracovania k dátumu nákupu. Táto záruka je obmedzená na opravu a/alebo výmenu a nezahŕňa žiadne ďalšie povinnosti, vrátane, okrem iných, náhodné alebo následné škody. Táto záruka je neplatná, ak bol výrobok nesprávne používaný, bol používaný v rozpore s návodom na použitie alebo bol nesprávne zapojený. Táto záruka sa nevzťahuje na:
 - akékoľvek poškodenie výrobku, ktoré bolo spôsobené nesprávnou obsluhou
 - akýkoľvek výrobok, ktorý bol zmenený alebo upravený
 - akýkoľvek výrobok, na ktorom bolo poškodené, upravené alebo odstránené identifikačné označenie (ochranná známka, výrobné číslo)
 - akékoľvek škody, spôsobené nedodržaním návodu na obsluhu
 - akýkoľvek výrobok, ktorý neobsahuje označenie CE
 - akýkoľvek výrobok, ktorý sa pokúšal opraviť nekvalifikovaný odborník alebo bol opravovaný bez predchádzajúceho súhlasu zo strany spoločnosti Techtronic Industries.
 - akýkoľvek výrobok pripojený k nesprávnemu napájaciemu zdroju (ampéry, napätie, frekvencia)
 - akýkoľvek výrobok, používaný s nesprávnou palivovou zmesou (palivo, olej, percento oleja)
 - akékoľvek poškodenia, spôsobené vonkajšími vplyvmi (chemickými, fyzikálnymi, nárazmi) alebo cudzorodými látkami
 - bežné opotrebovanie náhradných dielov
 - nevhodné používanie, preťažovanie nástroja
 - používanie neschváleného príslušenstva a dielov
 - Akékoľvek pravidelné úpravy alebo čistenie karburátorov, vykonávaných vrámi údržby
 - Súčiastky (diely a príslušenstvo), ktoré podliehajú prirodzenému opotrebovaniu, okrem iných, otočné gombíky, hnacie remene, spojka, nože na nožnice na živý plot alebo kosačku na trávu, popruhy, lanko škrtiacej klapky, uhľiky, napájaci kábel, radličky, pístene podložky, závesné klnce, lopatky fúkačov, trubice vysávača a fúkača, vak do vysávača a popruhy, vodiace lišty, reťazové píly, hadice, spojovacie armatúry, trysky, kolesá, stienkacie rúrky, vnútorné cievky, vonkajšie cievky, žacie lanká, zapalovacie svečky, vzduchové filtre, benzínové filtre, mulčovacie nože atď.
- Na opravu musí byť výrobok odoslaný alebo doručený do autorizovaného servisného strediska RYOBI, uvedeného pre každú krajinu v nasledovnom zozname adries servisných stredísk. V niektorých krajinách miestny zástupca RYOBI preberá na seba záväzok zaslať tovar do servisnej organizácie RYOBI. Pri odosielaní výrobku do servisného strediska RYOBI je potrebné výrobok bezpečne zabaliť bez akéhokoľvek nebezpečného obsahu, ako je bencín, s vyznačením adresy odosielateľa, s krátkym popisom poruchy.
- Oprava/výmena je vrámi tejto záruky bezplatná. Neznamená to predĺženie záruky alebo spustenie novej záručnej doby. Vymenené diely alebo nástroje sa stávajú našim vlastníctvom. V niektorých krajinách náklady na odoslanie alebo poštné musí zaplatiť odosielateľ. Vaše zákonné práva, vyplývajúce z nákupu náradia, zostávajú nedotknuté.
- Táto záruka platí v Európskej únii, Švajčiarsku, Islande, Nórsku, Lichtenštajnsku, Turesku a Rusku. Ak sa nachádzate mimo týchto oblastí, obráťte sa na autorizovaného predajcu RYOBI na určenie, či sa dá uplatniť iná záruka.

AUTORIZOVANÉ SERVISNÉ CENTRUM

Ak chcete nájsť najbližšie autorizované servisné centrum, navštívte stránku <http://en.ryobitools.eu/header/service-and-support/service-agents>.

BG УСЛОВИЯ ЗА ВАЛИДНОСТ НА ГАРАНЦИЯТА НА RYOBI®

В допълнение към законоустановените права, произтичащи от покупката, този продукт е обхванат от гаранция, както е изложено по-долу.

- Гаранционният срок е 24 месеца за клиенти и започва да тече от деня на закупуване на продукта. Тази дата трябва да се докаже с фактура или друго доказателство за покупка. Продуктът е изработен и предназначен само за потребителска и лична употреба. Следователно не се дава гаранция в случай на използване от професионалисти или с търговска цел.
- Съществува възможност за удължаване на гаранционния срок за част от диапазона на гаранцията на градински инструменти (AC/DC) след изтичането на описания тук чрез регистрация на уеб сайта www.ryobitools.eu. В магазините и/или на опаковката или вътре в документацията на продукта е показано ясно дали инструментът отговаря на условията за такова удължаване на гаранционния срок. Крайният потребител трябва да регистрира своите новопридобити инструменти онлайн в рамките на 30 дни от датата на покупка. Крайният потребител може да се регистрира за удължена гаранция в държавата си на пребиваване, ако е посочена във формуляра за онлайн регистрация като място, където тази опция е валидна. Освен това крайните потребители трябва да дадат съгласието си за съхранение на данните, които са задължителни за потвърждение онлайн, и трябва да приемат общите условия. Полученото потвърждение за регистрация, изпратено по електронна поща, и оригиналната фактура, показваща датата на покупка, ще служат като доказателство за удължената гаранция.
- Гаранцията покрива всички дефекти на продукта по време на гаранционния срок, които се дължат на проблеми в изработката или материалите към момента на покупката. Гаранцията е ограничена до ремонт и/или замяна и не включва други задължения, включително, но не само, случайни или косвени щети. Гаранцията е невалидна, ако продуктът е използван неправилно или в противоречие с ръководство с инструкции, както и ако е свързан неправилно. Тази гаранция не важи за:
 - щети по продукта в резултат на неправилна профилактика
 - продукти, които са били изменени или модифицирани
 - продукт, при който оригиналните маркировки за идентификация (търговска марка, серийн номер) са изтрети, променени или премахнати
 - повреда, причинена от неспазване на ръководството с инструкции
 - продукт без CE маркировка
 - продукт, за който е направен опит за ремонт от неквалифициран специалист или без предварително разрешение от Techtronic Industries.
 - продукт, свързан към неподходящо електрохранване (ампераж, волтаж, честота)
 - продукт, използван с неподходяща горивна смес (гориво, масло, процент масло)
 - щети, причинени от външни влияния (химични, физични, удари) или чужди вещества
 - нормално износване на резервни част
 - неподходяща употреба, претоварване на инструмента
 - използване на неодобрени аксесоари или части
 - Всякакви периодични настройки или почистване с цел извършване на поддръжка на карбуратори
 - Компоненти (част и аксесоари), подложени на естествено износване, включително, но не само, копчета за тласкане, задвижващи ремъци, съединители, остриета на ножици за жив плет или косачки за трева, презрачки, кабелен дросел, карбонови четки, защитен кабел, остриета, филцови шайби, осигурителни цифрове, вентилатори на уреди за обдуване, тръби за обдуване и всмукване, торба за отпадъци и ремъци, водещи шини, вериги за триони, маркучи, фитинги на конектори, дюзи, колела, пръскалки, вътрешни и външни макири, режещо влакно, запалителни свещи, въздушни филтри, горивни филтри, остриета за мулчиране и др.
- За обслужване продуктът трябва да се изпрати или занесе на авторизиран сервиз на RYOBI, посочен за всяка държава в следния списък с адреси на сервиси. В някои държави местният търговец на RYOBI поема отговорността да изпрати продукта до сервизен център на RYOBI. При изпращане на продукт до сервиз на RYOBI той трябва да е опакован безопасно без опасно съдържание, напр. бензин, да е маркиран с адреса на подателя и придружен от кратко описание на повреда.
- Ремонт/замяната по силата на тази гаранция са безплатни. Те не водят до удължаване или подновяване на гаранционния срок. Сменените части или инструменти стават наша собственост. В някои държави таксите за доставка или изпращане трябва да се платят от подателя. Законоустановените ви права, произтичащи от закупуването на инструмента, остават незасегнати
- Тази гаранция е валидна в Европейската общност, Швейцария, Исландия, Норвегия, Лихтенщайн, Турция и Русия. Извън тези области се свържете с упълномощения търговец на RYOBI, за да се установи дали е приложима друга гаранция.

УПЪЛНОМОЩЕН СЕРВИЗЕН ЦЕНТЪР

За да намерите упълномощен сервизен център близо до вас, посетете <http://en.ryobitools.eu/header/service-and-support/service-agents>.

UK ГАРАНТИЙНИ УМОВИ ДЛЯ RYOBI®

Окрім загалом установлених законом прав, що стосуються покупки, цей пристрій покривається гарантією, що зазначено нижче.

- Гарантійний період для споживачів складає 24 місяці і починається з моменту придбання цього пристрою. Ця дата повинна бути задокументована у гарантійному талоні або чеку, що підтверджує покупку. Цей пристрій був розроблений і призначений тільки для складного та приватного використання. У разі професійного або комерційного використання цього пристрою, він втрачає гарантію.
- Існує можливість продовжити гарантійний період, понад період описаний вище, для частини лінійки садових інструментів (перемінного/ постійного струму) за допомогою реєстрації на сайті www.ryobitools.eu. Пристрої, які мають право на подовження гарантійного періоду, мають чіткі позначки щодо цього в магазинах і / або на упаковці / та документації до пристрою. Кінцевий користувач повинен зареєструвати його/її новопридбаний пристрій онлайн протягом 30 днів з дати покупки. Кінцевий користувач може зареєструватися для подовження гарантійного періоду в своїй країні постійного перебування, якщо вона є доступною у відповідній опції онлайн форми реєстрації. Крім того, кінцеві користувачі повинні дати свою згоду на зберігання даних, які необхідні для введення онлайн, а також вони повинні прийняти правила та умови. Отримання підтвердження реєстрації, яке відправляється на адресу електронної пошти, та оригінал гарантійного талона із зазначеною датою покупки буде слугувати доказом подовженої гарантії.
- Гарантія поширюється на всі дефекти пристрою протягом гарантійного терміну щодо недотримання стандартів виробництва або матеріалів на дату придбання. Гарантія обмежується ремонтом та/або заміною, та не включає в себе будь-яких інших зобов'язань, в тому числі, але необмежена у разі випадкових та подальших пошкоджень. Гарантія не діє, якщо пристрій використовувався неналежним чином, всупереч інструкції з експлуатації або був неправильно підключений до мережі. Дана гарантія не поширюється на:
 - пристрої, що були пошкоджені у результаті неправильного технічного обслуговування;
 - пристрої, що були відозмінені або модифіковані;
 - пристрої, оригінальне ідентифікаційне (товарний знак, серійний номер) маркування яких було пошкоджене, змінено або видалено;
 - будь-які пошкодження, заподіяні недотриманням інструкції з експлуатації;
 - пристрої, що не мають маркування CE;
 - пристрої, що були відремонтовані некваліфікованим фахівцем або за відсутності попереднього дозволу від Techtronic Industries;
 - пристрої, підключені до невідповідного джерела живлення (сила току, напруження, частота);
 - пристрої, що використовувалися із невідповідною паливною сумішшю (паливом, оливою, відсотковою часткою оливи);
 - будь-які пошкодження спричинені зовнішнім впливом (хімічним, фізичним, стрибком напруги) або сторонніми речовинами;
 - нормальну амортизацію запасних частин;
 - невідповідне використання, перевантаження пристрою;
 - використання неідентифікованих запасних частин або аксесуарів;
 - Будь-які періодичні коригування або технічне очищення карбураторів
 - Компоненти (частини та аксесуари) з урахуванням нормального зношування, враховуючи але без обмеження на імпульсні кнопки, ремені приводу, зчеплення, леза куцоріза або газнокосарки, ремені, триси дросельного клапану, вугільні щітки, шпунти живлення, зубці, фетрові підкладки, зчіпні шпирі, вентилятори повітродувки, трубки пиლოსоса та повітродувки, вакуумні мішки та накладки, напрямні, ланцюги, гнучі шланги, з'єднувальні фітінги, розпилювальні насадки, колеса, жорсткі сопла, внутрішні котушки, зовнішні зопотники, ріжучу волосін, свчки запалення, повітряні фільтри, протигазові фільтри, мульчувальні леза, т.д.
- Для обслуговування, пристрій має бути відправлений або поданий до одного з авторизованих сервісних центрів RYOBI, які перелічені для кожної країни у наступному переліку адрес сервісних центрів. У деяких країнах місцевий дилер RYOBI зобов'язується відправити пристрій до сервісного центру RYOBI. При відправленні пристрою до сервісного центру RYOBI, пристрій має бути надійно упакований без будь-якого небезпечного вмісту, наприклад бензину, з позначеною адресою відправника та супроводжуватися коротким описом несправності.
- Ремонт / заміна відповідно до цієї гарантії здійснюється безкоштовно. Це не є основою для подовження або початку нового гарантійного періоду. Замінені частини або прилади переходять до власності компанії. У деяких країнах вартість доставки або поштові витрати повинні бути сплачені відправником. Загально встановлені права покупця на пристрій залишаються незмінними
- Ця гарантія діє в Європейському Союзі, Швейцарії, Ісландії, Норвегії, Лихтенштейні, Туреччині та Росії. За межами цих зон, будь ласка, зверніться до офіційного дилера RYOBI, щоб визначити, чи застосовується інша гарантія.

АВТОРИЗОВАНІ СЕРВІСНІ ЦЕНТРИ

Для отримання оновленого переліку авторизованих сервісних центрів, відвідайте <http://en.ryobitools.eu/header/service-and-support/service-agents>.

TR RYOBI® GARANTİ UYGULAMA KOŞULLARI

Alımdan kaynaklanan yasal haklara ek olarak, ürün aşağıda belirtilen garanti kapsamındadır.

1. Tüketiciler için 24 ay olan garanti süresi, ürünün satın alındığı tarihte başlar. Bu tarihin bir fatura ya da alım kanıtıyla belgelenmesi gerekir. Ürün sadece tüketim ve özel kullanım için geliştirilmiş ve adanmıştır. Bu nedenle, profesyonel ya da ticari kullanım halinde garanti kapsamı sağlanmaz.
2. Bahçe aletlerinin bir bölümü (AC/DC) için www.ryobitools.eu sayfasındaki kayıt işlemini kullanarak garantisinin belirtilen süresinin ötesine uzatma imkanı mevcuttur. Aletlerin garanti süresinin uzatılmasına uygun olup olmadığı mağazalarda ve / veya ambalajda açıkça belirtilmiş olup, ürün dokümantasyonunda gösterilir. Son kullanıcının yeni aldığı aletleri satın alma tarihini izleyen 30 gün içinde kaydettirmesi gerekir. Son kullanıcı ikamet ettiği ülkede, bu seçeneğin geçerli olduğu çevrimiçi kayıt formunda belirtilmişse, uzatılmış garanti süresi için kayıt yapılabilir. Dahası, son kullanıcıların çevrimiçi giriş için gerekli verilerin kaydedilmesine izin vermeli ve hüküm ve koşulları kabul etmelidir. E-posta ile gönderilen kayıt teyit makbuzu ve alım tarihini gösteren orijinal fatura uzatılmış garantisinin kanıtı olarak değerlendirilir.
3. Garanti, ürünün alım tarihindeki işçilik ve malzeme kusurları nedeniyle garanti süresi içinde oluşacak bütün arızaları kapsar. Bu garanti onarım ve değiştirmeye sınırlı olup, tesadüf ya da dolaylı hasarlar da dahil, ancak bunlarla sınırlı olmayan başka hiçbir taahhüdü kapsamaz. Garanti, ürünün kötü, kullanıcı kılavuzuna aykırı kullanılmış ya da yanlış bağlanmış olması halinde geçerli değildir. Bu garanti aşağıdakileri kapsamaz:
 - üründe, yanlış bakımdan kaynaklanan herhangi bir hasar
 - değiştirilmiş ya da modifiye edilmiş herhangi bir ürün
 - orijinal tırtım işaretleri (ticari marka, seri numarası) silinmiş, değiştirilmiş ya da kaldırılmış herhangi bir ürün
 - kullanma kılavuzuna uymamaktan kaynaklanmış herhangi bir hasar
 - herhangi bir AT dışı ürün
 - kalifiye olmamış personel tarafından ya da önceden Techtronic Industries onayı alınmadan onarılmış herhangi bir ürün.
 - uygunsuz güç kaynağına (amper, voltaj, frekans) bağlanmış herhangi bir ürün
 - uygunsuz bir yakıt karışımıyla (yakıt, yağ, yap yüzdesi) kullanılan herhangi bir ürün
 - harici etkenlerden (kimyasal, fiziksel, darbe) veya yabancı cisimlerden kaynaklanan her türlü hasar
 - normal aşınır ve yıpranır aksam
 - uygunsuz kullanım, aletin aşırı yüklenmesi
 - onaysız aksesuar veya parça kullanımı
 - Karbüratörlere uygulanacak her türlü periyodik ayar, bakım veya temizlik
 - Darbe Düğmeleri, Tahrik Kayışları, Kavrama, Çit Budama ya da Çim Biçme Makinelerinin Bıçakları, Kayış Koşumları, Kablo Gaz, Kömür Fırçalar, Güç Kablo, Dişler, Keçe Rondelalar, Bağlantı Pimleri, Üfleyici Pervaneleri, Üfleyici ve Vakum Boruları, Vakum Torbası ve Kayışları, Kılavuz Çubuklar, Zincir Testereler, Hortumlar, Konektör bağlantıları, Puskürtme Memeleri, Çarklar, Puskürtme Çubukları, Dahili Makaralar, Harici Makaralar, Kesme Telleri, Bujiler, Hava Filtreleri, Gaz Filtreleri, Malçlama Bıçakları vb. gibi parçaları kapsayan, ancak bunlarla sınırlı olmayan, aşınma ve yıpranmaya tabi bileşenler (aksam ve aksesuarlar).
4. Ürünün servis için her ülkede aşağıdaki servis istasyonları adres listesinde yer alan yetkili bir RYOBI servis istasyonuna gönderilmesi ya götürülmesi gereklidir. Bazı ülkelerde, yerel RYOBI distribütörünüz ürünü RYOBI servis teşkilatına göndermeyi üstlenir. Bir ürün bir RYOBI servis istasyonuna gönderilirken, ürünün güvenli bir biçimde ambalajlanması, benzin gibi tehlikeli maddeler içermemesi, gönderenin adresini taşıması ve anızanın kısa bir açıklamasını içermesi gerekir.
5. Bu garanti kapsamında yapılacak onarım / değişiklik ücretsizdir. Garanti süresinin uzatılması ya da yeniden başlatılması anlamına gelmez. Değiştirilmiş parçalar veya aletler bize ait olur. Bazı ülkelerde teslim ücretleri veya posta giderlerinin gönderici tarafından ödemesi gerekir. Alımdan kaynaklanan yasal haklarınız etkilenmez.
6. Bu Garanti Avrupa Topluluğu, İsviçre, İzlanda, Norveç, Liechtenstein, Türkiye ve Rusya'da geçerlidir. Bu alanların dışında, başka bir garantisinin geçerli olup olmadığını belirlemek için lütfen yetkili RYOBI distribütörünüzle iletişime geçin.

YETKİLİ SERVİS MERKEZİ

En yakın yetkili servis merkezini öğrenmek için <http://en.ryobitools.eu/header/service-and-support/service-agents> sitesine girin.

EN DECLARATION OF CONFORMITY

Techtronic Industries GmbH
Max-Eyth-Straße 10, 71364 Winnenden, Germany

Herewith we declare that the product

Electric Chainsaw
Brand: RYOBI
Model number: RCS1935B/RCS2340B
Serial number range:
RCS1935B: 46281601000001 - 46281601999999
RCS2340B: 46282201000001 - 46282201999999

is in conformity with the following European Directives and harmonised standards
2006/42/EC, 2014/30/EU, 2000/14/EC, 2005/88/EC, 2011/65/EU,
EN 60745-1:2009+A11:2010, EN 60745-2-13:2009+A1:2010,
EN 55014-1:2017, EN 55014-2:2015, EN 61000-3-2:2014,
EN 61000-3-11:2000, EN 50581:2012

RCS1935B

Measured sound power level: 102,8 dB(A)
Guaranteed sound power level: 104 dB(A)
Conformity assessment method to Annex V Directive 2000/14/EC amended by 2005/88/EC.

RCS2340B

Measured sound power level: 103,3 dB(A)
Guaranteed sound power level: 105 dB(A)
Conformity assessment method to Annex V Directive 2000/14/EC amended by 2005/88/EC.

Notified body, 0197 TÜV Rheinland LGA Products GmbH, Tillystraße 2 D - 90431 Nürnberg, Germany has carried out EC type approval, and the certificate number is: BM 50414705 0001.

Andrew John Eyre (BEng, CEng, MIET)
Vice President, Regulatory & Safety
Winnenden, Aug. 30, 2018

Authorised to compile the technical file:
Alexander Krug, Managing Director
Techtronic Industries GmbH
Max-Eyth-Straße 10, 71364 Winnenden, Germany

CE

DE KONFORMITÄTSERKLÄRUNG

Techtronic Industries GmbH
Max-Eyth-Straße 10, 71364 Winnenden, Germany

Hiermit erklären wir, dass die Produkte

Elektrische Kettensäge
Marke: RYOBI
Modellnummer: RCS1935B/RCS2340B
Seriennummernbereich:
RCS1935B: 46281601000001 - 46281601999999
RCS2340B: 46282201000001 - 46282201999999

mit den folgenden europäischen Richtlinien und harmonisierten Normen entspricht
2006/42/EC, 2014/30/EU, 2000/14/EC, 2005/88/EC, 2011/65/EU,
EN 60745-1:2009+A11:2010, EN 60745-2-13:2009+A1:2010,
EN 55014-1:2017, EN 55014-2:2015, EN 61000-3-2:2014,
EN 61000-3-11:2000, EN 50581:2012

RCS1935B

Gemessener Schallleistungspegel: 102,8 dB(A)
Garantierter Schallleistungspegel: 104 dB(A)
Konformitätsbeurteilungsmethode zu Anhang V Richtlinie 2000/14/EC wie durch 2005/88/EC.

RCS2340B

Gemessener Schallleistungspegel: 103,3 dB(A)
Garantierter Schallleistungspegel: 105 dB(A)
Konformitätsbeurteilungsmethode zu Anhang V Richtlinie 2000/14/EC wie durch 2005/88/EC.

Benannte Stelle, 0197 TÜV Rheinland LGA Products GmbH, Tillystraße 2 D - 90431 Nürnberg, Germany hat die EC Typen-Überprüfung durchgeführt und die Zertifikatnummer lautet: BM 50414705 0001.

Andrew John Eyre (BEng, CEng, MIET)
Vizepräsident, Vorschriften und Sicherheit
Winnenden, Aug. 30, 2018

Autorisiert die technische Datei zu erstellen:
Alexander Krug, Geschäftsführer
Techtronic Industries GmbH
Max-Eyth-Straße 10, 71364 Winnenden, Germany

CE

FR DÉCLARATION DE CONFORMITÉ

Techtronic Industries GmbH
Max-Eyth-Straße 10, 71364 Winnenden, Germany

Déclarons par la présente que le produit

Tronçonneuse Électrique
Marque: RYOBI
Numéro de modèle: RCS1935B/RCS2340B
Étendue des numéros de série:
RCS1935B: 46281601000001 - 46281601999999
RCS2340B: 46282201000001 - 46282201999999

est conforme aux Directives Européennes et Normes Harmonisées suivantes
2006/42/EC, 2014/30/EU, 2000/14/EC, 2005/88/EC, 2011/65/EU,
EN 60745-1:2009+A11:2010, EN 60745-2-13:2009+A1:2010,
EN 55014-1:2017, EN 55014-2:2015, EN 61000-3-2:2014,
EN 61000-3-11:2000, EN 50581:2012

RCS1935B

Niveau de puissance sonore mesuré: 102,8 dB(A)
Niveau de puissance sonore garanti: 104 dB(A)
Méthode d'évaluation de conformité de l'annexe V Directive 2000/14/EC modifiée 2005/88/EC.

RCS2340B

Niveau de puissance sonore mesuré: 103,3 dB(A)
Niveau de puissance sonore garanti: 105 dB(A)
Méthode d'évaluation de conformité de l'annexe V Directive 2000/14/EC modifiée 2005/88/EC.

L'organisme notifié, 0197 TÜV Rheinland LGA Products GmbH, Tillystraße 2 D - 90431 Nürnberg, Germany a validé la conformité EC, et le No de certificat est: BM 50414705 0001.

Andrew John Eyre (BEng, CEng, MIET)
Vice-Président, Règlementation & Sécurité
Winnenden, Aug. 30, 2018

Autorisé à rédiger le dossier technique:
Alexander Krug, Directeur Général
Techtronic Industries GmbH
Max-Eyth-Straße 10, 71364 Winnenden, Germany

CE

ES DECLARACIÓN DE CONFORMIDAD

Techtronic Industries GmbH
Max-Eyth-Straße 10, 71364 Winnenden, Germany

Por la presente declaramos que los productos

Sierra Eléctrica
Marca: RYOBI
Número de modelo: RCS1935B/RCS2340B
Intervalo del número de serie:
RCS1935B: 46281601000001 - 46281601999999
RCS2340B: 46282201000001 - 46282201999999

se encuentra en conformidad con las siguientes Directivas Europeas y normas armonizadas
2006/42/EC, 2014/30/EU, 2000/14/EC, 2005/88/EC, 2011/65/EU,
EN 60745-1:2009+A11:2010, EN 60745-2-13:2009+A1:2010,
EN 55014-1:2017, EN 55014-2:2015, EN 61000-3-2:2014,
EN 61000-3-11:2000, EN 50581:2012

RCS1935B

Nivel de potencia acústica medido: 102,8 dB(A)
Nivel de potencia acústica garantizado: 104 dB(A)
Método de evaluación de conformidad con el anexo V Directiva 2000/14/EC modificada por la 2005/88/EC.

RCS2340B

Nivel de potencia acústica medido: 103,3 dB(A)
Nivel de potencia acústica garantizado: 105 dB(A)
Método de evaluación de conformidad con el anexo V Directiva 2000/14/EC modificada por la 2005/88/EC.

El organismo notificado, 0197 TÜV Rheinland LGA Products GmbH, Tillystraße 2 D - 90431 Nürnberg, Germany ha llevado a cabo la homologación de tipo EC, y el n.º de certificado es: BM 50414705 0001.

Andrew John Eyre (BEng, CEng, MIET)
Vicepresidente, Director General de Normativa y Seguridad
Winnenden, Aug. 30, 2018

Autorizado para elaborar la ficha técnica:
Alexander Krug, Administrador Ejecutivo
Techtronic Industries GmbH
Max-Eyth-Straße 10, 71364 Winnenden, Germany

CE

IT DICHIARAZIONE DI CONFORMITÀ

Techtronic Industries GmbH
Max-Eyth-Straße 10, 71364 Winnenden, Germany

Si dichiara con la presente che il prodotto

Motosega Elettrica
Marca: RYOBI
Numero modello: RCS1935B/RCS2340B
Gamma numero seriale:
RCS1935B: 46281601000001 - 46281601999999
RCS2340B: 46282201000001 - 46282201999999

è conforme alle seguenti Direttive Europee e ai seguenti standard armonizzati
2006/42/EC, 2014/30/EU, 2000/14/EC, 2005/88/EC, 2011/65/EU,
EN 60745-1:2009+A11:2010, EN 60745-2-13:2009+A1:2010,
EN 55014-1:2017, EN 55014-2:2015, EN 61000-3-2:2014,
EN 61000-3-11:2000, EN 50581:2012

RCS1935B
Livello di potenza acustica misurato: 102,8 dB(A)
Livello di potenza sonora garantita: 104 dB(A)
Metodo di valutazione sulla conformità all'allegato V Direttiva 2000/14/EC modificata con la 2005/88/EC.

RCS2340B
Livello di potenza acustica misurato: 103,3 dB(A)
Livello di potenza sonora garantita: 105 dB(A)
Metodo di valutazione sulla conformità all'allegato V Direttiva 2000/14/EC modificata con la 2005/88/EC.

Ente notificatore: 0197 TÜV Rheinland LGA Products GmbH; Tillystraße 2 D - 90431 Nürnberg, Germany ha svolto i test di conformità EC e il N. del certificato è. BM 50414705 0001.


Andrew John Eyre (BEng, CEng, MIET)
Vice-Presidente, Dipartimento Regolazioni & Sicurezza
Winnenden, Aug. 30, 2018

Autorizzato per compilare il file tecnico:
Alexander Krug, Direttore Amministrativo
Techtronic Industries GmbH
Max-Eyth-Straße 10, 71364 Winnenden, Germany

CE

PT DECLARAÇÃO DE CONFORMIDADE

Techtronic Industries GmbH
Max-Eyth-Straße 10, 71364 Winnenden, Germany

Pelo presente declaramos que os produtos

Serra Elétrica
Marca: RYOBI
Número do modelo: RCS1935B/RCS2340B
Intervalo do número de série:
RCS1935B: 46281601000001 - 46281601999999
RCS2340B: 46282201000001 - 46282201999999


se encontra em conformidade com as seguintes Directivas Europeias e normas harmonizadas

2006/42/EC, 2014/30/EU, 2000/14/EC, 2005/88/EC, 2011/65/EU,
EN 60745-1:2009+A11:2010, EN 60745-2-13:2009+A1:2010,
EN 55014-1:2017, EN 55014-2:2015, EN 61000-3-2:2014,
EN 61000-3-11:2000, EN 50581:2012

RCS1935B
Nível de potência sonora medido: 102,8 dB(A)
Nível de potência sonora garantido: 104 dB(A)
Método de avaliação de conformidade para o anexo V Directiva 2000/14/EC alterada por 2005/88/EC.

RCS2340B
Nível de potência sonora medido: 103,3 dB(A)
Nível de potência sonora garantido: 105 dB(A)
Método de avaliação de conformidade para o anexo V Directiva 2000/14/EC alterada por 2005/88/EC.

Órgão notificado, 0197 TÜV Rheinland LGA Products GmbH; Tillystraße 2 D - 90431 Nürnberg, Germany realizou a aprovação tipo EC, e o certificado é o N.º. BM 50414705 0001.


Andrew John Eyre (BEng, CEng, MIET)
Vice-Presidente, Regulação e Segurança
Winnenden, Aug. 30, 2018

Autorizado para compilar o ficheiro técnico:
Alexander Krug, Administrador Executivo
Techtronic Industries GmbH
Max-Eyth-Straße 10, 71364 Winnenden, Germany

CE

NL CONFORMITEITSVERKLARING

Techtronic Industries GmbH
Max-Eyth-Straße 10, 71364 Winnenden, Germany

Hierbij verklaren wij dat het product

Elektrische Kettingzaagmachine
Merk: RYOBI
Modelnummer: RCS1935B/RCS2340B
Serienummerbereik:
RCS1935B: 46281601000001 - 46281601999999
RCS2340B: 46282201000001 - 46282201999999

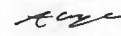
is in overeenstemming met de volgende Europese Richtlijnen en geharmoniseerde normen

2006/42/EC, 2014/30/EU, 2000/14/EC, 2005/88/EC, 2011/65/EU,
EN 60745-1:2009+A11:2010, EN 60745-2-13:2009+A1:2010,
EN 55014-1:2017, EN 55014-2:2015, EN 61000-3-2:2014,
EN 61000-3-11:2000, EN 50581:2012

RCS1935B
Gemeten geluidsniveau: 102,8 dB(A)
Geгарandeerd geluidsniveau: 104 dB(A)
Evaluatiemethode conformiteit volgens bijlage V Richtlijn 2000/14/EC gewijzigd door 2005/88/EC.

RCS2340B
Målt lydteknivå: 103,3 dB(A)
Garanteret lydteknivå: 105 dB(A)
Evaluatiemethode conformiteit volgens bijlage V Richtlijn 2000/14/EC gewijzigd door 2005/88/EC.

Aangemelde instantie, 0197 TÜV Rheinland LGA Products GmbH; Tillystraße 2 D - 90431 Nürnberg, Germany heeft de EC-typegoedkeuring uitgevoerd en het certificaatnr. is. BM 50414705 0001.


Andrew John Eyre (BEng, CEng, MIET)
Vice-president, Regelgeving en Veiligheid
Winnenden, Aug. 30, 2018

Afgevaardigde voor het samenstellen van de technische fiche:
Alexander Krug, Directeur
Techtronic Industries GmbH
Max-Eyth-Straße 10, 71364 Winnenden, Germany

CE

DA OVERENSSTEMMELSEERKLÆRING

Techtronic Industries GmbH
Max-Eyth-Straße 10, 71364 Winnenden, Germany

Vi erklærer hermed, at produktet

Elektrisk Kædesav
Brand: RYOBI
Modelnummer: RCS1935B/RCS2340B
Serienummerområde:
RCS1935B: 46281601000001 - 46281601999999
RCS2340B: 46282201000001 - 46282201999999

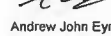
er i overensstemmelse med følgende EU-direktiver og harmoniserede standarder

2006/42/EC, 2014/30/EU, 2000/14/EC, 2005/88/EC, 2011/65/EU,
EN 60745-1:2009+A11:2010, EN 60745-2-13:2009+A1:2010,
EN 55014-1:2017, EN 55014-2:2015, EN 61000-3-2:2014,
EN 61000-3-11:2000, EN 50581:2012

RCS1935B
Målt støjniveau: 102,8 dB(A)
Garanteret støjniveau: 104 dB(A)
Overensstemmelsesvurderingsmetode til bilag V Direktiv 2000/14/EC ændret ved 2005/88/EC.

RCS2340B
Målt lydteknivå: 103,3 dB(A)
Garanteret lydteknivå: 105 dB(A)
Overensstemmelsesvurderingsmetode til bilag V Direktiv 2000/14/EC ændret ved 2005/88/EC.

Bemyndiget organ, 0197 TÜV Rheinland LGA Products GmbH; Tillystraße 2 D - 90431 Nürnberg, Germany har foretaget EC-typegodkendelse, og certifikatnummeret er. BM 50414705 0001.


Andrew John Eyre (BEng, CEng, MIET)
Vicepræsident, Regler og Sikkerhed
Winnenden, Aug. 30, 2018

Bemyndiget til at udarbejde det tekniske kartotek:
Alexander Krug, Administrerende Direktør
Techtronic Industries GmbH
Max-Eyth-Straße 10, 71364 Winnenden, Germany

CE

SV KONFORMITETSDEKLARATION

Techtronic Industries GmbH
Max-Eyth-Straße 10, 71364 Winnenden, Germany

Härmed deklarerar vi att produkterna

Elektrisk Motorsåg
Märke: RYOBI
Modellnummer: RCS1935B/RCS2340B
Serienummerintervall:
RCS1935B: 46281601000001 - 46281601999999
RCS2340B: 46282201000001 - 46282201999999

är i enlighet med följande EU-direktiv och harmoniserade standarder
2006/42/EC, 2014/30/EU, 2000/14/EC, 2005/88/EC, 2011/65/EU,
EN 60745-1:2009+A11:2010, EN 60745-2-13:2009+A1:2010,
EN 55014-1:2017, EN 55014-2:2015, EN 61000-3-2:2014,
EN 61000-3-11:2000, EN 50581:2012

RCS1935B
Uppmätt ljudeffektnivå: 102,8 dB(A)
Garanterad ljudeffektnivå: 104 dB(A)
Konformitetsbedömning gjord enligt metod i V Direktiv 2000/14/EC samt tillägg
i 2005/88/EC.

RCS2340B
Uppmätt ljudeffektnivå: 103,3 dB(A)
Garanterad ljudeffektnivå: 105 dB(A)
Konformitetsbedömning gjord enligt metod i V Direktiv 2000/14/EC samt tillägg
i 2005/88/EC.

Anmält organ: 0197 TÜV Rheinland LGA Products GmbH; Tillystraße 2 D - 90431
Nürnberg, Germany har utfört EC-typgodkännandet och certifikatnumret är:
BM 50414705 0001.


Andrew John Eyre (BEng, CEng, MIET)
Vice President, Regelverk och Säkerhet
Winnenden, Aug. 30, 2018

Godkänd att sammanställa den tekniska filen:
Alexander Krug, VD
Techtronic Industries GmbH
Max-Eyth-Straße 10, 71364 Winnenden, Germany

CE

NO SAMSVARERKLÆRING

Techtronic Industries GmbH
Max-Eyth-Straße 10, 71364 Winnenden, Germany

Herved erklærer vi at produktet

Elektrisk Kjedesag
Märke: RYOBI
Modellnummer: RCS1935B/RCS2340B
Serienummerserie:
RCS1935B: 46281601000001 - 46281601999999
RCS2340B: 46282201000001 - 46282201999999

er i samsvar med følgende europeiske direktiver og harmoniserte standarder
2006/42/EC, 2014/30/EU, 2000/14/EC, 2005/88/EC, 2011/65/EU,
EN 60745-1:2009+A11:2010, EN 60745-2-13:2009+A1:2010,
EN 55014-1:2017, EN 55014-2:2015, EN 61000-3-2:2014,
EN 61000-3-11:2000, EN 50581:2012

RCS1935B
Målt lydeffektnivå: 102,8 dB(A)
Garantert lydeffektnivå: 104 dB(A)
Metode for vurdering av konformitet til Tillegg V Direktiv 2000/14/EC endret ved
2005/88/EC.

RCS2340B
Målt lydeffektnivå: 103,3 dB(A)
Garantert lydeffektnivå: 105 dB(A)
Metode for vurdering av konformitet til Tillegg V Direktiv 2000/14/EC endret ved
2005/88/EC.

Teknisk kontrollorgan, 0197 TÜV Rheinland LGA Products GmbH; Tillystraße
2 D - 90431 Nürnberg, Germany har gjennomført EC typegodkjenning, og
sertifikatnummeret er: BM 50414705 0001.


Andrew John Eyre (BEng, CEng, MIET)
Visepresident, Forskrifter og Sikkerhet
Winnenden, Aug. 30, 2018

Autorisert til å sette sammen den tekniske filen:
Alexander Krug, Administrerende Direktør
Techtronic Industries GmbH
Max-Eyth-Straße 10, 71364 Winnenden, Germany

CE

FI SÄÄNNÖSTEN NOUDATTAMINEN

Techtronic Industries GmbH
Max-Eyth-Straße 10, 71364 Winnenden, Germany

Ilmoitamme täten, että tuotteet

Sähkökäyttöinen Moottorisaha
Tuotemerkki: RYOBI
Mallinumero: RCS1935B/RCS2340B
Sarjanumeroalue:
RCS1935B: 46281601000001 - 46281601999999
RCS2340B: 46282201000001 - 46282201999999

noudattaa seuraavia EU-direktiivejä ja harmonoituja standardeja
2006/42/EC, 2014/30/EU, 2000/14/EC, 2005/88/EC, 2011/65/EU,
EN 60745-1:2009+A11:2010, EN 60745-2-13:2009+A1:2010,
EN 55014-1:2017, EN 55014-2:2015, EN 61000-3-2:2014,
EN 61000-3-11:2000, EN 50581:2012

RCS1935B
Mitattu äänenteho: 102,8 dB(A)
Taattu ääniteho: 104 dB(A)
Säännösten noudattaminen tarkastettu direktiivin 2000/14/EC liitteen V mukaisesti
muunnettu direktiivillä 2005/88/EC.

RCS2340B
Målt lydeffektnivå: 103,3 dB(A)
Garantert lydeffektnivå: 105 dB(A)
Säännösten noudattaminen tarkastettu direktiivin 2000/14/EC liitteen V mukaisesti
muunnettu direktiivillä 2005/88/EC.

Ilmoituksen saanut elin, 0197 TÜV Rheinland LGA Products GmbH; Tillystraße
2 D - 90431 Nürnberg, Germany, on suorittanut EC-tyyppisen hyväksynnän, ja
todistuksen numero on: BM 50414705 0001.


Andrew John Eyre (BEng, CEng, MIET)
Varatoimitusjohtaja, Säännöstenmukaisuus ja Turvallisuus
Winnenden, Aug. 30, 2018

Valluutettu kokoamaan tekninen tiedosto:
Alexander Krug, Toimitusjohtaja
Techtronic Industries GmbH
Max-Eyth-Straße 10, 71364 Winnenden, Germany

CE

RU ЗАЯВЛЕНИЕ О СООТВЕТСТВИИ ТРЕБОВАНИЯМ

Techtronic Industries GmbH
Max-Eyth-Straße 10, 71364 Winnenden, Germany

Настоящим мы заявляем, что данный продукт

Электрическая Цепная Пила
Марка: RYOBI
Номер модели: RCS1935B/RCS2340B
Диапазон заводских номеров:
RCS1935B: 46281601000001 - 46281601999999
RCS2340B: 46282201000001 - 46282201999999

соответствует требованиям следующих Директив ЕС и согласованных
стандартов
2006/42/EC, 2014/30/EU, 2000/14/EC, 2005/88/EC, 2011/65/EU,
EN 60745-1:2009+A11:2010, EN 60745-2-13:2009+A1:2010,
EN 55014-1:2017, EN 55014-2:2015, EN 61000-3-2:2014,
EN 61000-3-11:2000, EN 50581:2012

RCS1935B
Измеренный уровень звуковой мощности: 102,8 dB(A)
Гарантируемый уровень звуковой мощности: 104 dB(A)
Способ оценки соответствия, приложение V к директиве 2000/14/EC с
изменениями 2005/88/EC.

RCS2340B
Målt lydeffektnivå: 103,3 dB(A)
Garantert lydeffektnivå: 105 dB(A)
Способ оценки соответствия, приложение V к директиве 2000/14/EC с
изменениями 2005/88/EC.

Нотифицированная организация, 0197 TÜV Rheinland LGA Products GmbH;
Tillystraße 2 D - 90431 Nürnberg, Germany выполнила утверждение типового
образца по стандарту ЕС, номер сертификата: BM 50414705 0001.


Andrew John Eyre (BEng, CEng, MIET)
Вице-Президент По Технике Безопасности И Стандартам
Winnenden, Aug. 30, 2018

Лицо, ответственное за подготовку технической документации:
Alexander Krug, Директор
Techtronic Industries GmbH
Max-Eyth-Straße 10, 71364 Winnenden, Germany

CE

PL DEKLARACJA ZGODNOŚCI

Techtronic Industries GmbH
Max-Eyth-Straße 10, 71364 Winnenden, Germany

Niniejszym deklarujemy, że produkty
Elektryczna Piłarka Łańcuchowa
Marka: RYOBI
Numer modelu: RCS1935B/RCS2340B
Zakres numerów seryjnych:
RCS1935B: 46281601000001 - 46281601999999
RCS2340B: 46282201000001 - 46282201999999

jest zgodny z następującymi dyrektywami europejskimi i zharmonizowanymi normami

2006/42/EC, 2014/30/EU, 2000/14/EC, 2005/88/EC, 2011/65/EU,
EN 60745-1:2009+A11:2010, EN 60745-2-13:2009+A1:2010,
EN 55014-1:2017, EN 55014-2:2015, EN 61000-3-2:2014,
EN 61000-3-11:2000, EN 50581:2012

RCS1935B

Zmierzony poziom natężenia hałasu: 102,8 dB(A)
Maksymalny poziom natężenia hałasu: 104 dB(A)
Metoda ocena zgodności zgodnie z aneksem V Dyrektywa 2000/14/EC zmieniona przez dyrektywę 2005/88/EC.

RCS2340B

Zmierzony poziom natężenia hałasu: 103,3 dB(A)
Maksymalny poziom natężenia hałasu: 105 dB(A)
Metoda ocena zgodności zgodnie z aneksem V Dyrektywa 2000/14/EC zmieniona przez dyrektywę 2005/88/EC.

Jednostka notyfikowana, 0197 TÜV Rheinland LGA Products GmbH; Tillystraße 2 D - 90431 Nürnberg, Germany potwierdziła zgodność z dyrektywami EC, nr certyfikat. BM 50414705 0001.

Andrew John Eyre (BEng, CEng, MIET)
Wiceprezes ds. Zgodności Prawnej i Bezpieczeństwa
Winnenden, Aug. 30, 2018

Osoba upoważniona do sporządzenia dokumentu technicznego:
Alexander Krug, Dyrektor Zarządzający
Techtronic Industries GmbH
Max-Eyth-Straße 10, 71364 Winnenden, Germany

CE

HU MEGFELELŐSÉGI NYILATKOZAT

Techtronic Industries GmbH
Max-Eyth-Straße 10, 71364 Winnenden, Germany

Ezúton kijelentjük, hogy a termék
Elektronos Láncfűrész
Márka: RYOBI
Típuszám: RCS1935B/RCS2340B
Sorozatszám tartomány:
RCS1935B: 46281601000001 - 46281601999999
RCS2340B: 46282201000001 - 46282201999999

megfelel az alábbi Európai irányelvek és harmonizált szabványok vonatkozó rendelkezéseinek

2006/42/EC, 2014/30/EU, 2000/14/EC, 2005/88/EC, 2011/65/EU,
EN 60745-1:2009+A11:2010, EN 60745-2-13:2009+A1:2010,
EN 55014-1:2017, EN 55014-2:2015, EN 61000-3-2:2014,
EN 61000-3-11:2000, EN 50581:2012

RCS1935B

Mért hangteljesítményszint: 102,8 dB(A)
Garantált hangteljesítményszint: 104 dB(A)
A megfelelőségi értékelési eljárás a 2000/14/EC irányelv V. függeléke szerint történt által módosított 2005/88/EC irányelv.

RCS2340B

Mért hangteljesítményszint: 103,3 dB(A)
Garantált hangteljesítményszint: 105 dB(A)
A megfelelőségi értékelési eljárás a 2000/14/EC irányelv V. függeléke szerint történt által módosított 2005/88/EC irányelv.

Az EC típusjóváahagyási eljárást a 0197 TÜV Rheinland LGA Products GmbH; Tillystraße 2 D - 90431 Nürnberg, Germany alatti tanúsító testület végezte; a tanúsítvány száma. BM 50414705 0001.

Andrew John Eyre (BEng, CEng, MIET)
Alelnök, Megfelelőségi és Biztonsági Területek
Winnenden, Aug. 30, 2018

A műszaki dokumentáció összeállítására felhatalmazott:
Alexander Krug, Ügyvezető Igazgató
Techtronic Industries GmbH
Max-Eyth-Straße 10, 71364 Winnenden, Germany

CE

CS PROHLÁŠENÍ O SHODĚ

Techtronic Industries GmbH
Max-Eyth-Straße 10, 71364 Winnenden, Germany

Tímto prohlašujeme, že výrobky
Elektrická Řetězová Pila
Značka: RYOBI
Číslo modelu: RCS1935B/RCS2340B
Rozsah sériových čísel:
RCS1935B: 46281601000001 - 46281601999999
RCS2340B: 46282201000001 - 46282201999999

že tento výrobek je v souladu s evropskými a harmonizovanými standardy
2006/42/EC, 2014/30/EU, 2000/14/EC, 2005/88/EC, 2011/65/EU,
EN 60745-1:2009+A11:2010, EN 60745-2-13:2009+A1:2010,
EN 55014-1:2017, EN 55014-2:2015, EN 61000-3-2:2014,
EN 61000-3-11:2000, EN 50581:2012

RCS1935B

Změřená hladina akustického výkonu: 102,8 dB(A)
Zaručená hladina akustického výkonu: 104 dB(A)
Soulad s metodou určování pro přílohu V směrnice 2000/14/EC upravená 2005/88/EC.

RCS2340B

Změřená hladina akustického výkonu: 103,3 dB(A)
Zaručená hladina akustického výkonu: 105 dB(A)
Soulad s metodou určování pro přílohu V směrnice 2000/14/EC upravená 2005/88/EC.

Úředně oznámený orgán, 0197 TÜV Rheinland LGA Products GmbH; Tillystraße 2 D - 90431 Nürnberg, Germany provedl typovou zkoušku EC a vystavil osvědčení č. BM 50414705 0001.

Andrew John Eyre (BEng, CEng, MIET)
Viceprezident, Normy a Bezpečnost
Winnenden, Aug. 30, 2018

Pověření ke kompilaci technického souboru:
Alexander Krug, Generální Ředitel
Techtronic Industries GmbH
Max-Eyth-Straße 10, 71364 Winnenden, Germany

CE

RO DECLARAȚIE DE CONFORMITATE

Techtronic Industries GmbH
Max-Eyth-Straße 10, 71364 Winnenden, Germany

Prin prezenta, declarăm că produsele
Ferăstrău Cu Lanț Electric
Mărcă: RYOBI
Număr serie: RCS1935B/RCS2340B
Gamă număr serie:
RCS1935B: 46281601000001 - 46281601999999
RCS2340B: 46282201000001 - 46282201999999

este în conformitate cu următoarele Directive Europene și standarde armonizate
2006/42/EC, 2014/30/EU, 2000/14/EC, 2005/88/EC, 2011/65/EU,
EN 60745-1:2009+A11:2010, EN 60745-2-13:2009+A1:2010,
EN 55014-1:2017, EN 55014-2:2015, EN 61000-3-2:2014,
EN 61000-3-11:2000, EN 50581:2012

RCS1935B

Nivelul măsurat al puterii acustice: 102,8 dB(A)
Nivel garantat al puterii acustice: 104 dB(A)
Metoda de evaluare a conformității cu Anexa V Directiva 2000/14/EC modificată prin 2005/88/EC.

RCS2340B

Nivelul măsurat al puterii acustice: 103,3 dB(A)
Nivel garantat al puterii acustice: 105 dB(A)
Metoda de evaluare a conformității cu Anexa V Directiva 2000/14/EC modificată prin 2005/88/EC.

Agenția notificată, 0197 TÜV Rheinland LGA Products GmbH; Tillystraße 2 D - 90431 Nürnberg, Germany a efectuat o procedură de aprobare tip EC, iar nr. certificatului este. BM 50414705 0001.

Andrew John Eyre (BEng, CEng, MIET)
Vicepreședintele, Reglementare & Siguranță
Winnenden, Aug. 30, 2018

Autorizat să completeze fișa tehnică:
Alexander Krug, Director General
Techtronic Industries GmbH
Max-Eyth-Straße 10, 71364 Winnenden, Germany

CE

LV ATBILSTĪBAS DEKLARĀCIJA

Techtronic Industries GmbH
Max-Eyth-Straße 10, 71364 Winnenden, Germany

Ar šo paziņojam, ka produkti

Elektriskais Kēdes Zāģis
Zīmols: RYOBI
Modeļa numurs: RCS1935B/RCS2340B
Sērijas numura intervāls:
RCS1935B: 46281601000001 - 46281601999999
RCS2340B: 46282201000001 - 46282201999999

atbilst šādām Eiropas direktīvām un saskaņotajiem standartiem
2006/42/EC, 2014/30/EU, 2000/14/EC, 2005/88/EC, 2011/65/EU,
EN 60745-1:2009+A11:2010, EN 60745-2-13:2009+A1:2010,
EN 55014-1:2017, EN 55014-2:2015, EN 61000-3-2:2014,
EN 61000-3-11:2000, EN 50581:2012

RCS1935B
Izmērītās skaņas jaudas līmenis: 102,8 dB(A)
Garantētais skaņas intensitātes līmenis: 104 dB(A)
Atbilstības novērtēšanas metode pielikumam V Direktīvai 2000/14/EC labota 2005/88/EC.

RCS2340B
Izmērītās skaņas jaudas līmenis: 103,3 dB(A)
Garantētais skaņas intensitātes līmenis: 105 dB(A)
Atbilstības novērtēšanas metode pielikumam V Direktīvai 2000/14/EC labota 2005/88/EC.

Informētā iestāde 0197 TÜV Rheinland LGA Products GmbH; Tillystraße 2 D - 90431 Nürnberg, Germany ir veikusi EC tipa pārbaudi, un sertifikāta Nr. Ir. BM 50414705 0001.

Andrew John Eyre (BEng, CEng, MIET)
Viceprezidents, Darba Drošības Noteikumi
Winnenden, Aug. 30, 2018

Pilnvarots sastādīt tehnisko failu:
Alexander Krug, Izpildītājs
Techtronic Industries GmbH
Max-Eyth-Straße 10, 71364 Winnenden, Germany

CE

ET VASTAVUSDEKLARATSIOON

Techtronic Industries GmbH
Max-Eyth-Straße 10, 71364 Winnenden, Germany

Kinnitame, et see toode

Elektriline Kettsaag
Mark: RYOBI
Mudel number: RCS1935B/RCS2340B
Seerianumbri vahemik:
RCS1935B: 46281601000001 - 46281601999999
RCS2340B: 46282201000001 - 46282201999999

vastab järgmistele Euroopa direktiividele ja harmoniseeritud standarditele
2006/42/EC, 2014/30/EU, 2000/14/EC, 2005/88/EC, 2011/65/EU,
EN 60745-1:2009+A11:2010, EN 60745-2-13:2009+A1:2010,
EN 55014-1:2017, EN 55014-2:2015, EN 61000-3-2:2014,
EN 61000-3-11:2000, EN 50581:2012

RCS1935B
Mõõdetud helivõimsuse tase: 102,8 dB(A)
Garanteeritud helivõimsuse tase: 104 dB(A)
Vastavushindamine vastavalt lisale V direktiivis 2000/14/EC muudetud direktiiviga 2005/88/EC.

RCS2340B
Mõõdetud helivõimsuse tase: 103,3 dB(A)
Garanteeritud helivõimsuse tase: 105 dB(A)
Garanteeritud helivõimsuse tase: 104 dB(A)
Vastavushindamine vastavalt lisale V direktiivis 2000/14/EC muudetud direktiiviga 2005/88/EC.

Tunnustatud asutus, 0197 TÜV Rheinland LGA Products GmbH; Tillystraße 2 D - 90431 Nürnberg, Germany on läbi viinud EC tüübikinnitustööd ja välja andnud sertifikaadi nr. BM 50414705 0001.

Andrew John Eyre (BEng, CEng, MIET)
Asepresident Standardiseerimise Ja Ohutuse Alal
Winnenden, Aug. 30, 2018

Tehnilise faili koostamiseks volitatud isik:
Alexander Krug, Tegevdirektor
Techtronic Industries GmbH
Max-Eyth-Straße 10, 71364 Winnenden, Germany

CE

LT ATITIKTIES DEKLARACIJA

Techtronic Industries GmbH
Max-Eyth-Straße 10, 71364 Winnenden, Germany

Mes pareiškiame, kad šie produktai

Elektrinis Grandininis Pjūklas
Prekės ženklas: RYOBI
Modelio numeris: RCS1935B/RCS2340B
Serijinio numerio diapazonas:
RCS1935B: 46281601000001 - 46281601999999
RCS2340B: 46282201000001 - 46282201999999

pagamintas laikantis toliau nurodytųjų Europos Direktivų ir darniųjų standartų
2006/42/EC, 2014/30/EU, 2000/14/EC, 2005/88/EC, 2011/65/EU,
EN 60745-1:2009+A11:2010, EN 60745-2-13:2009+A1:2010,
EN 55014-1:2017, EN 55014-2:2015, EN 61000-3-2:2014,
EN 61000-3-11:2000, EN 50581:2012

RCS1935B
Išmatuotas akustinis lygis: 102,8 dB(A)
Garantuotas akustinis lygis: 104 dB(A)
Atitikties įvertinimo metodas pagal direktyvos 2000/14/EC, V Priedą su pataisomis 2005/88/EC.

RCS2340B
Išmatuotas akustinis lygis: 103,3 dB(A)
Garantuotas akustinis lygis: 105 dB(A)
Atitikties įvertinimo metodas pagal direktyvos 2000/14/EC, V Priedą su pataisomis 2005/88/EC.

Notifikuotoji įstaiga, 0197 TÜV Rheinland LGA Products GmbH; Tillystraße 2 D - 90431 Nürnberg, Germany atliko EC tipo patvirtinimą. Pažymėjimo numeris, BM 50414705 0001.

Andrew John Eyre (BEng, CEng, MIET)
Kontrolės Ir Saugos Viceprezidentas
Winnenden, Aug. 30, 2018

Igaliotas sudaryti techninį failą:
Alexander Krug, Generalinis Direktorius
Techtronic Industries GmbH
Max-Eyth-Straße 10, 71364 Winnenden, Germany

CE

HR IZJAVA O USKLADENOSTI

Techtronic Industries GmbH
Max-Eyth-Straße 10, 71364 Winnenden, Germany

Ovime izjavjujemo da su proizvodi

Električna Pila
Marka: RYOBI
Broj modela: RCS1935B/RCS2340B
Raspon serijskog broja:
RCS1935B: 46281601000001 - 46281601999999
RCS2340B: 46282201000001 - 46282201999999

usklađeni sa sljedećim Europskim Direktivama i usklađenim normama
2006/42/EC, 2014/30/EU, 2000/14/EC, 2005/88/EC, 2011/65/EU,
EN 60745-1:2009+A11:2010, EN 60745-2-13:2009+A1:2010,
EN 55014-1:2017, EN 55014-2:2015, EN 61000-3-2:2014,
EN 61000-3-11:2000, EN 50581:2012

RCS1935B
Izmjerena razina zvučne snage: 102,8 dB(A)
Jamčena razina zvučne snage: 104 dB(A)
Metoda procjene usklađenosti prema Dodatku V Direktive 2000/14/EC navedeno u 2005/88/EC.

RCS2340B
Izmjerena razina zvučne snage: 103,3 dB(A)
Jamčena razina zvučne snage: 105 dB(A)
Metoda procjene usklađenosti prema Dodatku V Direktive 2000/14/EC navedeno u 2005/88/EC.

Nadzorno tijelo, 0197 TÜV Rheinland LGA Products GmbH; Tillystraße 2 D - 90431 Nürnberg, Germany izdalo je odobrenje tipa EC i broj certifikata je, BM 50414705 0001.

Andrew John Eyre (BEng, CEng, MIET)
Potpredsjednik za Pravila i Sigurnost
Winnenden, Aug. 30, 2018

Ovlašten da sastavi tehničku datoteku:
Alexander Krug, Direktor Upravljanja
Techtronic Industries GmbH
Max-Eyth-Straße 10, 71364 Winnenden, Germany

CE

SL IZJAVA O SKLADNOSTI

Techtronic Industries GmbH
Max-Eyth-Straße 10, 71364 Winnenden, Germany


Izjavljamo, da je izdelek
Električna Veržna Žaga
Znamka: RYOBI
Številka modela: RCS1935B/RCS2340B
Razpon serijskih števil:
RCS1935B: 46281601000001 - 46281601999999
RCS2340B: 46282201000001 - 46282201999999

v skladu s sledečimi evropskimi direktivami in harmoniziranimi standardi
2006/42/EC, 2014/30/EU, 2000/14/EC, 2005/88/EC, 2011/65/EU,
EN 60745-1:2009+A11:2010, EN 60745-2-13:2009+A1:2010,
EN 55014-1:2017, EN 55014-2:2015, EN 61000-3-2:2014,
EN 61000-3-11:2000, EN 50581:2012

RCS1935B
Izmerjena raven zvočne moči: 102,8 dB(A)
Zajamčena raven zvočne moči: 104 dB(A)
Način ugotavljanja skladnosti z aneksom V direktive 2000/14/EC ki je bila spreminjena z 2005/88/EC.

RCS2340B
Izmerjena raven zvočne moči: 103,3 dB(A)
Zajamčena raven zvočne moči: 105 dB(A)
Način ugotavljanja skladnosti z aneksom V direktive 2000/14/EC ki je bila spreminjena z 2005/88/EC.

Priglašeni organ, 0197 TÜV Rheinland LGA Products GmbH; Tillystraße 2 D - 90431 Nürnberg, Germany je izvedel EC homologacijo, številka certifikata pa je: BM 50414705 0001.


Andrew John Eyre (BEng, CEng, MIET)
Podpredsednik, Zakonodajne In Varostne Zadeve
Winnenden, Aug. 30, 2018

Pooblaščen oseba za sestavo tehnične dokumentacije:
Alexander Krug, Izvršni Direktor
Techtronic Industries GmbH
Max-Eyth-Straße 10, 71364 Winnenden, Germany

CE

BG ДЕКЛАРАЦИЯ НА ЗА СЪОТВЕТВИЕ

Techtronic Industries GmbH
Max-Eyth-Straße 10, 71364 Winnenden, Germany


С настоящето декларирам, че продуктите
Електрически Верижен Трион
Марка: RYOBI
Номер на модела: RCS1935B/RCS2340B
Обхват на серийни номера:
RCS1935B: 46281601000001 - 46281601999999
RCS2340B: 46282201000001 - 46282201999999

отговаря на следните директиви на ЕС и хармонизирани стандарти
2006/42/EC, 2014/30/EU, 2000/14/EC, 2005/88/EC, 2011/65/EU,
EN 60745-1:2009+A11:2010, EN 60745-2-13:2009+A1:2010,
EN 55014-1:2017, EN 55014-2:2015, EN 61000-3-2:2014,
EN 61000-3-11:2000, EN 50581:2012

RCS1935B
Измерено ниво на шум: 102,8 dB(A)
Гарантирано ниво на шум: 104 dB(A)
Метод за оценяване на съответствието с приложение V Директива 2000/14/EC, изменена от 2005/88/EC.

RCS2340B
Измерено ниво на шум: 103,3 dB(A)
Гарантирано ниво на шум: 105 dB(A)
Метод за оценяване на съответствието с приложение V Директива 2000/14/EC, изменена от 2005/88/EC.

Компетентен орган, 0197 TÜV Rheinland LGA Products GmbH; Tillystraße 2 D - 90431 Nürnberg, Germany извърши одобрение за ЕС и номерът на сертификата е: BM 50414705 0001.


Andrew John Eyre (BEng, CEng, MIET)
Вицепрезидент, Правни Услуги И Безопасност
Winnenden, Aug. 30, 2018

Упълномощено лице за съставяне на техническия файл:
Alexander Krug, Изпълнителен Директор
Techtronic Industries GmbH
Max-Eyth-Straße 10, 71364 Winnenden, Germany

CE

SK PREHLÁSENIE O ZHODE

Techtronic Industries GmbH
Max-Eyth-Straße 10, 71364 Winnenden, Germany

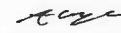
Týmto vyhlasujeme, že výrobok
Vychýľovač Drevených Triesok
Značka: RYOBI
Číslo modelu: RCS1935B/RCS2340B
Rozsah sériových čísel:
RCS1935B: 46281601000001 - 46281601999999
RCS2340B: 46282201000001 - 46282201999999

je v súlade s nasledujúcimi Európskymi smernicami a harmonizovanými normami
2006/42/EC, 2014/30/EU, 2000/14/EC, 2005/88/EC, 2011/65/EU,
EN 60745-1:2009+A11:2010, EN 60745-2-13:2009+A1:2010,
EN 55014-1:2017, EN 55014-2:2015, EN 61000-3-2:2014,
EN 61000-3-11:2000, EN 50581:2012

RCS1935B
Nameraná úroveň hluku: 102,8 dB(A)
Garantovaná úroveň hluku: 104 dB(A)
Spôsob určenia zhody podľa Dodatku V Smernica 2000/14/EC doplnená o 2005/88/EC.

RCS2340B
Nameraná úroveň hluku: 103,3 dB(A)
Garantovaná úroveň hluku: 105 dB(A)
Spôsob určenia zhody podľa Dodatku V Smernica 2000/14/EC doplnená o 2005/88/EC.

Uповедомленý orgán 0197 TÜV Rheinland LGA Products GmbH; Tillystraße 2 D - 90431 Nürnberg, Germany previedol schválenie typu EC a certifikáciu č. BM 50414705 0001.


Andrew John Eyre (BEng, CEng, MIET)
Viceprezident, Regulácia a Bezpečnosť
Winnenden, Aug. 30, 2018

Oprávnená osoba na zostavenie technického súboru:
Alexander Krug, Generálny Riaditeľ
Techtronic Industries GmbH
Max-Eyth-Straße 10, 71364 Winnenden, Germany

CE

UK ДЕКЛАРАЦИЯ ПРО ВІДПОВІДНІСТЬ

Techtronic Industries GmbH
Max-Eyth-Straße 10, 71364 Winnenden, Germany


При цьому ми заявляємо, що продукт
Електрична ланцюгова пила
Марка: RYOBI
Номер моделі: RCS1935B/RCS2340B
Діапазон серійного номеру:
RCS1935B: 46281601000001 - 46281601999999
RCS2340B: 46282201000001 - 46282201999999

у відповідності з наступними європейськими директивами та гармонізованими стандартами
2006/42/EC, 2014/30/EU, 2000/14/EC, 2005/88/EC, 2011/65/EU,
EN 60745-1:2009+A11:2010, EN 60745-2-13:2009+A1:2010,
EN 55014-1:2017, EN 55014-2:2015, EN 61000-3-2:2014,
EN 61000-3-11:2000, EN 50581:2012

RCS1935B
Вимірний рівень звукової потужності: 102,8 dB(A)
Гарантований рівень звукової потужності: 104 dB(A)
Метод оцінки відповідності Annex V Directive 2000/14/EC з поправками, внесеними 2005/88 / EC.

RCS2340B
Вимірний рівень звукової потужності: 103,3 dB(A)
Гарантований рівень звукової потужності: 105 dB(A)
Метод оцінки відповідності Annex V Directive 2000/14/EC з поправками, внесеними 2005/88 / EC.

Уповноважений орган 0197 TÜV Rheinland LGA Products GmbH; Tillystraße 2 D - 90431 Nürnberg, Germany здійснив затвердження типу EC, і сертифікат: BM 50414705 0001.


Andrew John Eyre (BEng, CEng, MIET)
Віце-президент, регулювання і безпека
Winnenden, Aug. 30, 2018

Дозвіл на складання технічного файла:
Alexander Krug, Керуючий директором
Techtronic Industries GmbH
Max-Eyth-Straße 10, 71364 Winnenden, Germany

CE

TR UYGUNLUK BEYANI

Techtronic Industries GmbH
Max-Eyth-Straße 10, 71364 Winnenden, Germany

İş bu belge ile bu ürünün

Elektrikli Motorlu Testere
Marka: RYOBI
Model numarası: RCS1935B/RCS2340B
Seri numarası aralığı:
RCS1935B: 46281601000001 - 46281601999999
RCS2340B: 46282201000001 - 46282201999999

aşağıdaki Avrupa Direktiflerine ve uyumlaştırılmış standartlara uygun olduğunu beyan ediyorum

2006/42/EC, 2014/30/EU, 2000/14/EC, 2005/88/EC, 2011/65/EU,
EN 60745-1:2009+A11:2010, EN 60745-2-13:2009+A1:2010,
EN 55014-1:2017, EN 55014-2:2015, EN 61000-3-2:2014,
EN 61000-3-11:2000, EN 50581:2012


RCS1935B

Ölçülen ses gücü seviyesi: 102,8 dB(A)
Güvençeli ses gücü seviyesi: 104 dB(A)
2005/88/AT ile değiştirilen 2000/14/AT Direktifi Ek V uyarınca uygunluk değerlendirme yöntemi.

RCS2340B

Ölçülen ses gücü seviyesi: 103,3 dB(A)
Güvençeli ses gücü seviyesi: 105 dB(A)
2005/88/AT ile değiştirilen 2000/14/AT Direktifi Ek V uyarınca uygunluk değerlendirme yöntemi.

Onaylı kuruluş, 0197 TÜV Rheinland LGA Products GmbH; Tillystraße 2 D - 90431 Nürnberg, Almanya AT tipi onay testini gerçekleştirmişir ve sertifika numarası aşağıdadır: BM 50414705 0001.



Andrew John Eyre (BEng, CEng, MIET)
Mevzuat ve Güvenlik Başkan Yardımcısı
Winnenden, Aug. 30, 2018

CE

Teknik dosyayı derlemekle yetkili sorumlu:
Alexander Krug, İdari Müdür
Techtronic Industries GmbH
Max-Eyth-Straße 10, 71364 Winnenden, Germany







Techtronic Industries GmbH
Max-Eyth-Straße 10,
71364 Winnenden, Germany

099184001001-01

