

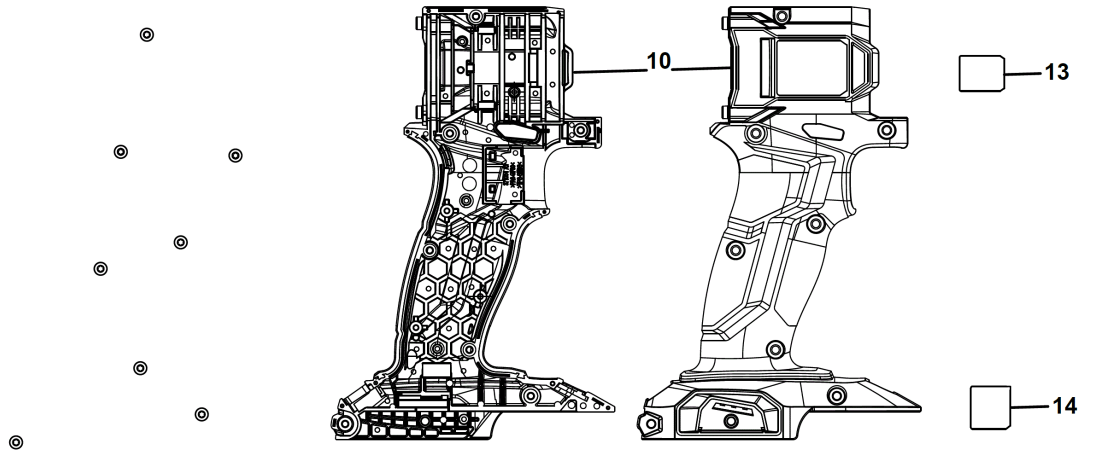
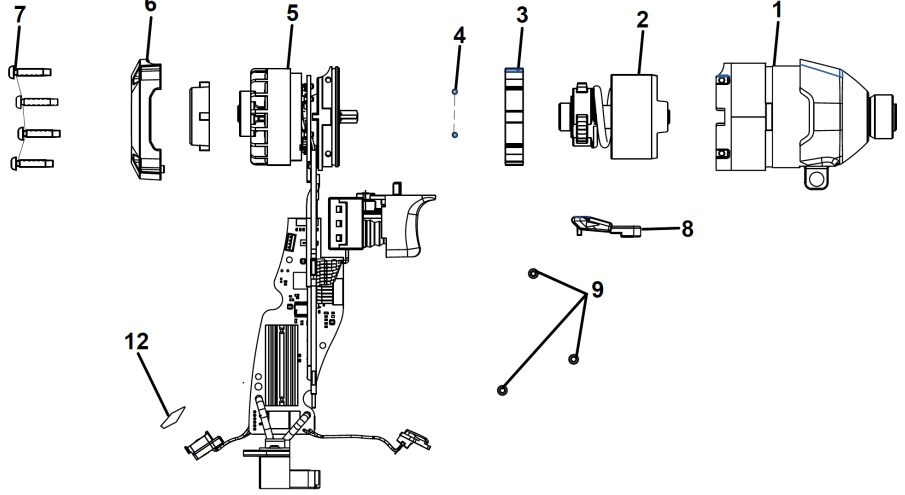
# BSS18SBL2-0 VISSEUSE A CHOCS 18V

4935480059 - BSS18SBL2-0 - 4000486269



# AEG

4000486269



| <b>Position</b> | <b>Quantité</b> | <b>Désignation</b>  | <b>Référence</b> | <b>EAN</b>    |
|-----------------|-----------------|---------------------|------------------|---------------|
| 1001            | 1               | CARTER D"ENGRENAGE  | 4931495292       | 4058546489601 |
| 1002            | 1               | CORPS DE PERCUSSION | 4931495293       | 4058546489618 |
| 1003            | 1               | ROUE A DENTURE INT. | 4931473530       | 4058546354060 |
| 1004            | 2               | GOUPILLE            | 4931495294       | 4058546489625 |
| 1005            | 1               | DC-MOTEUR           | 4931495295       | 4058546489632 |
| 1006            | 1               | COUVERCLE           | 4931495296       | 4058546489649 |
| 1007            | 4               | VIS                 | 4931453680       | 4002395144778 |
| 1008            | 1               | BOUTON INVERSEUR    | 4931495297       | 4058546489656 |
| 1009            | 3               | VIS                 | 4931461485       | 4058546037185 |
| 1010            | 1               | CARTER              | 4931495298       | 4058546489663 |
| 1012            | 1               | ETIQUETTE           | 4931495299       | 4058546489670 |
| 1013            | 1               | PLAQUE SIGNALETIQUE | 4931495300       | 4058546489687 |
| 1014            | 1               | ETIQUETTE           | 4931495301       | 4058546489694 |