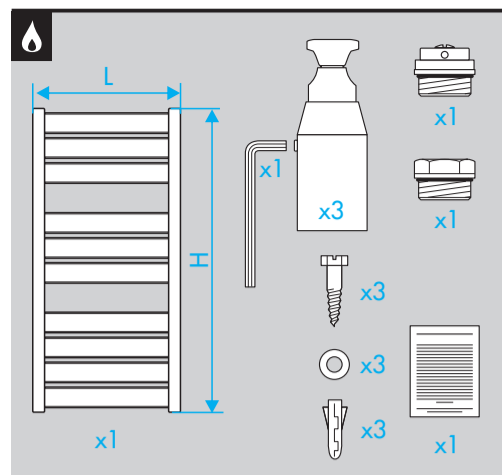
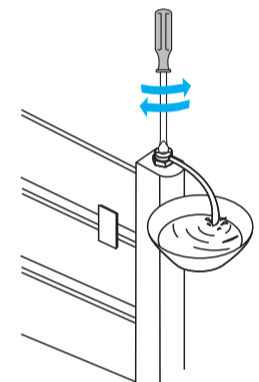
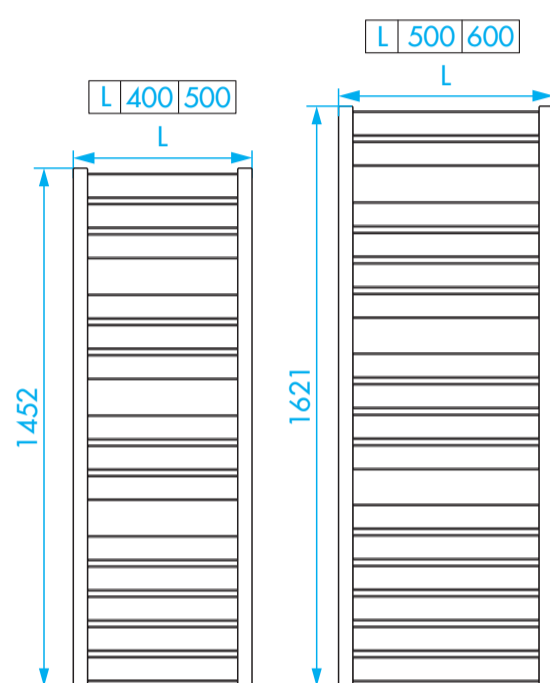
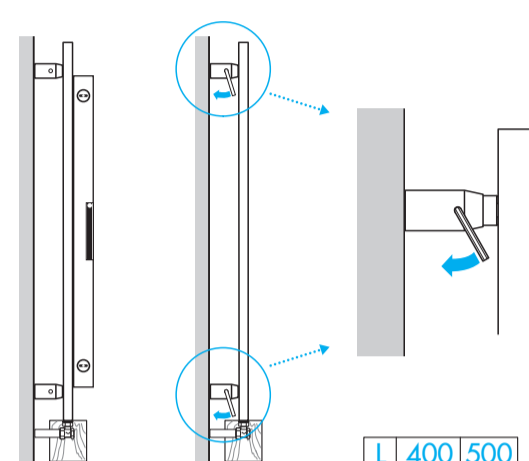
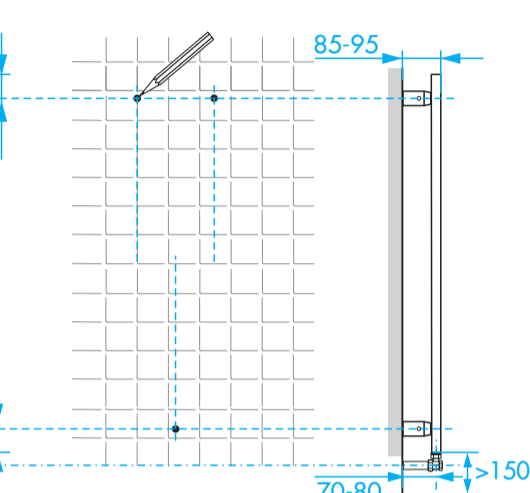
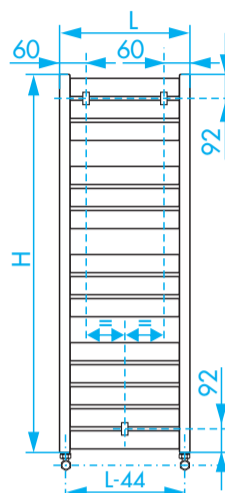
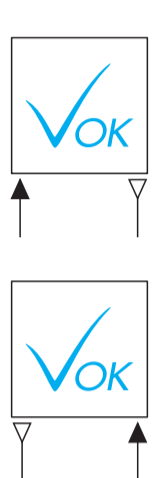
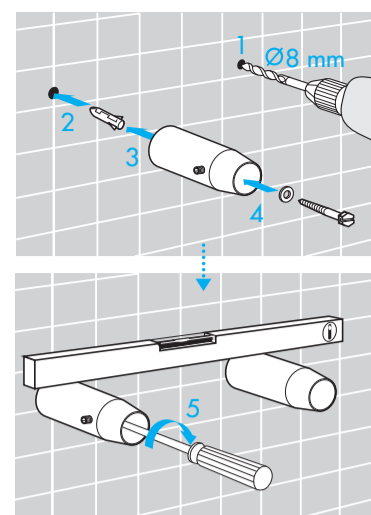
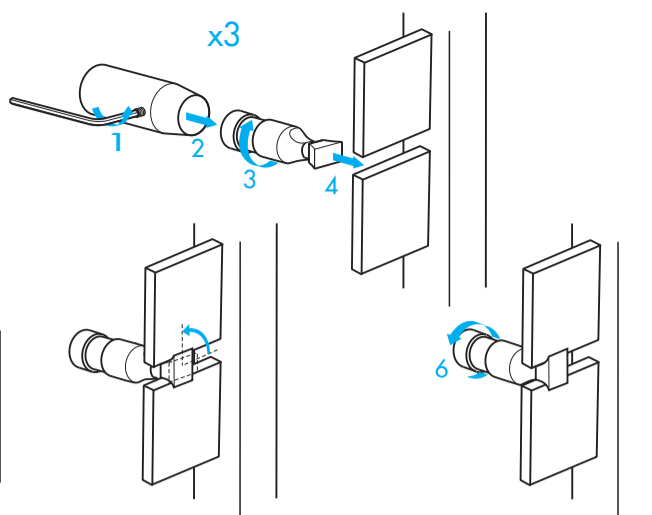
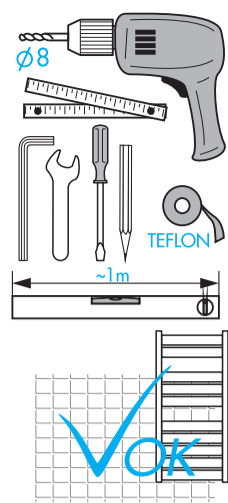
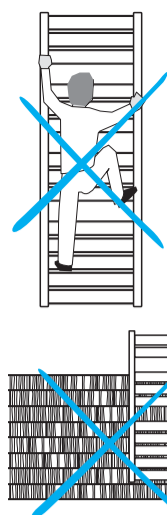


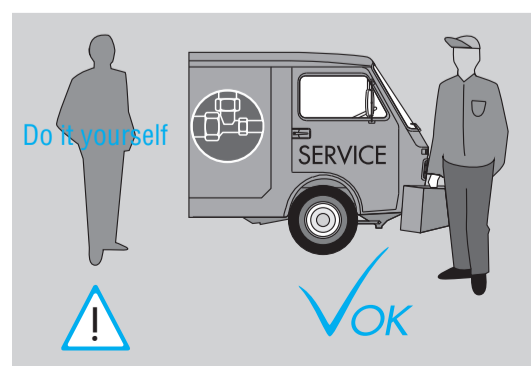
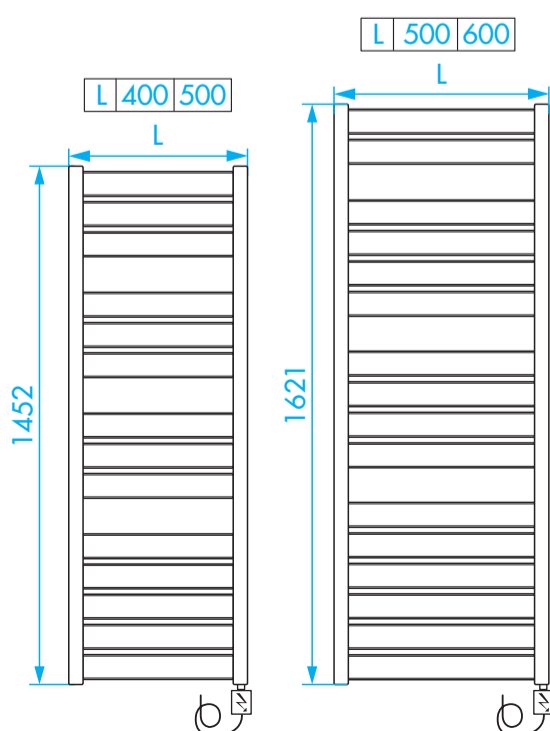
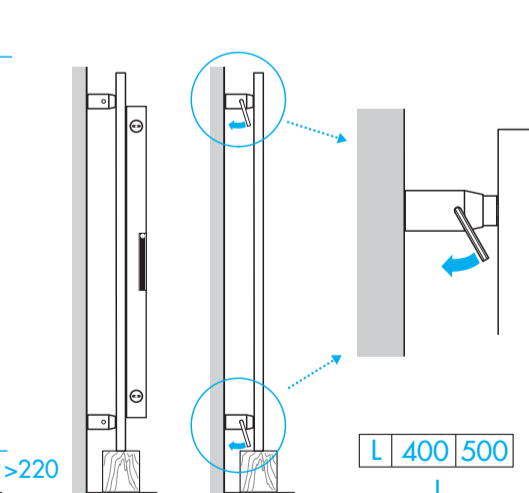
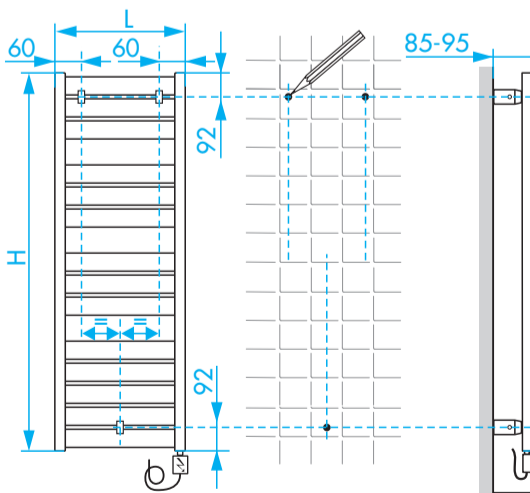
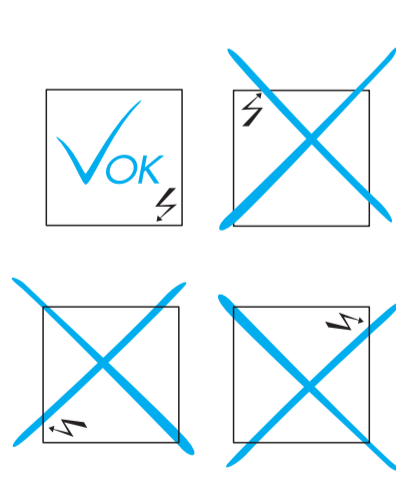
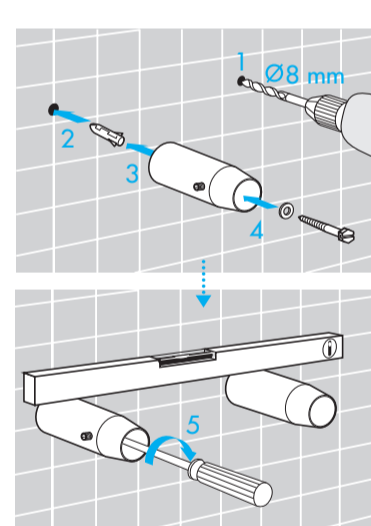
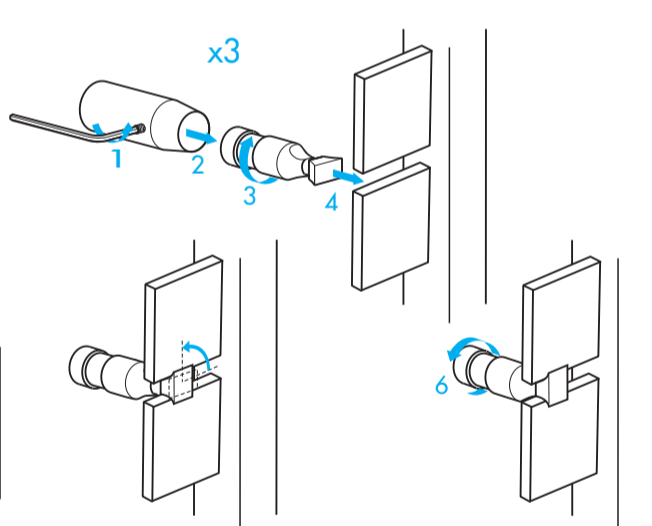
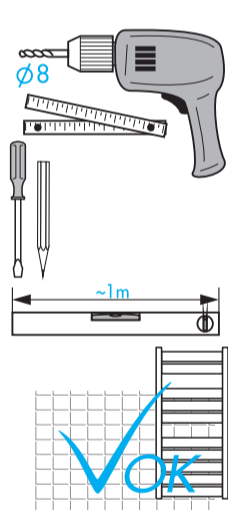
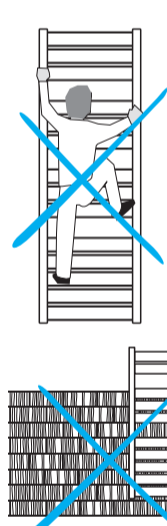
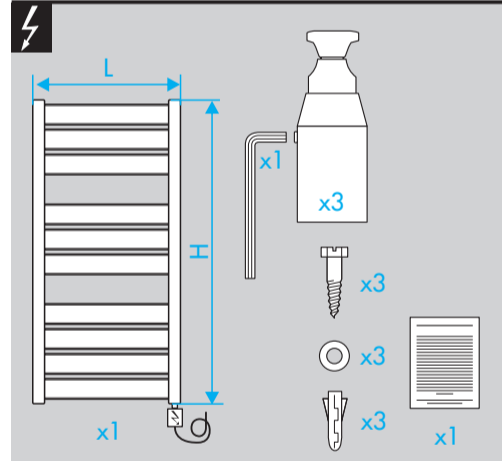
# TYPE P56



© Copyright by PBO 06/14 1015049



# TYPE P56-E



# TYPE P56-EF

