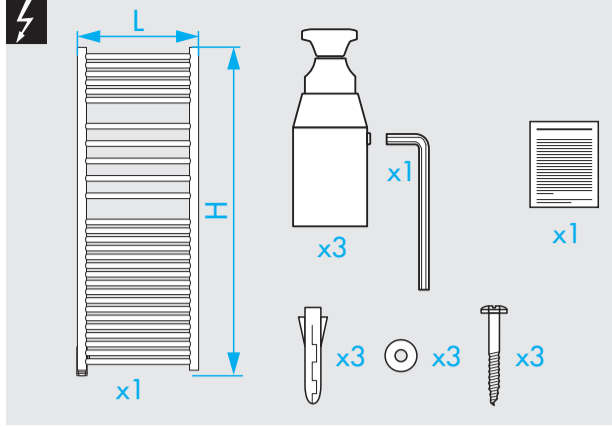


TYPE P34-RF



© Copyright by PBO 06/19 40019513

