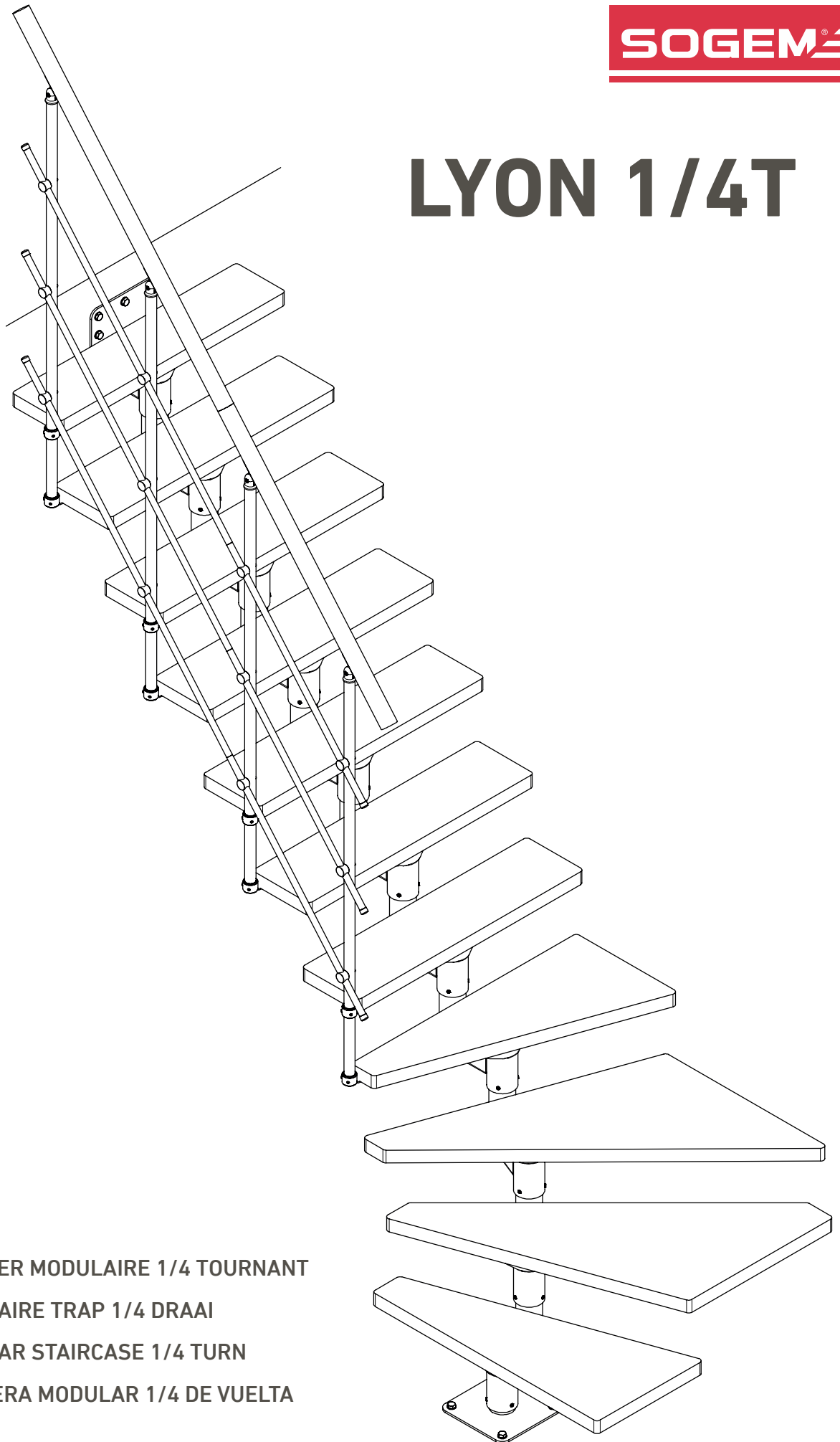
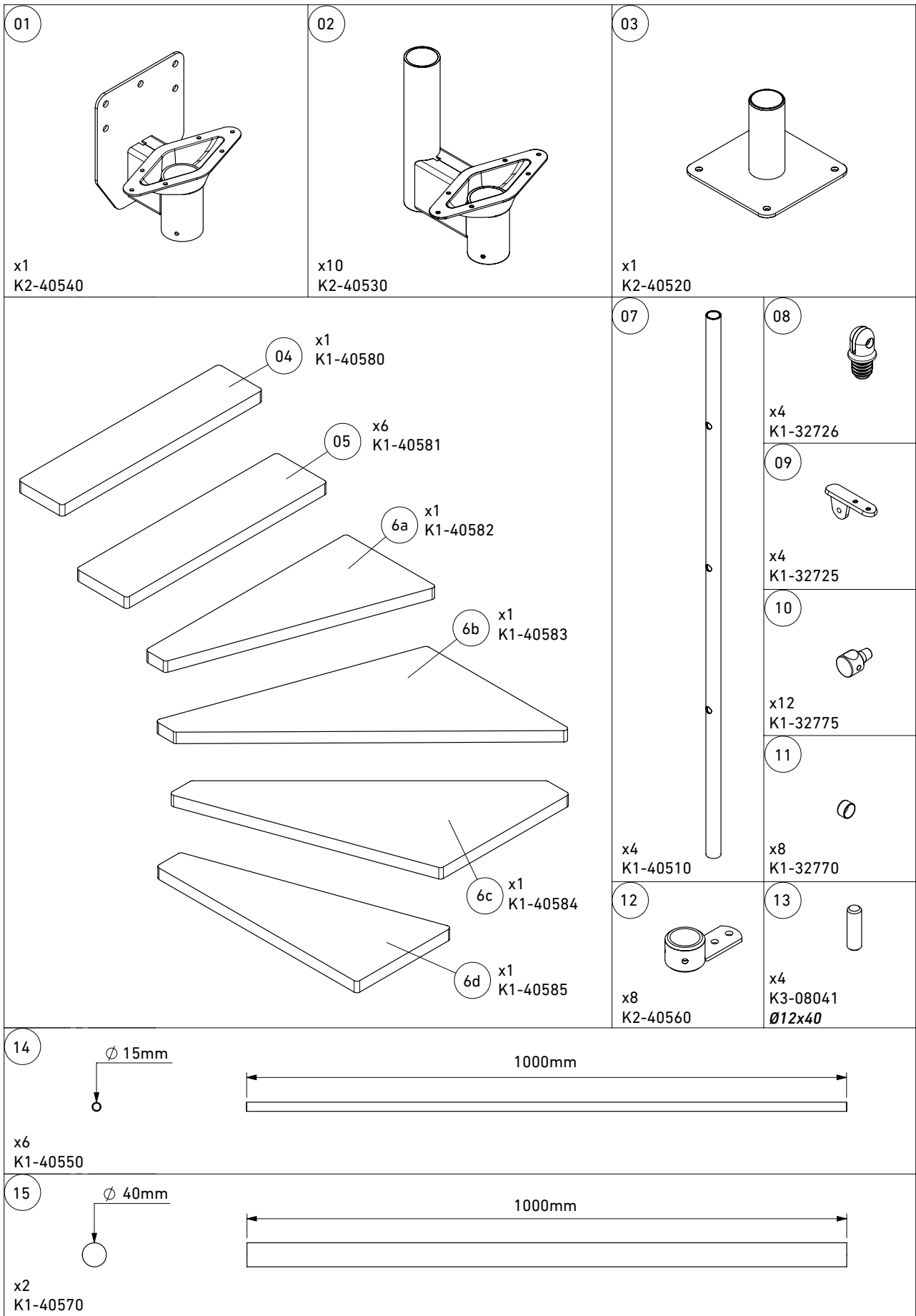

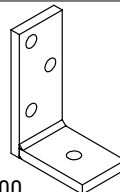











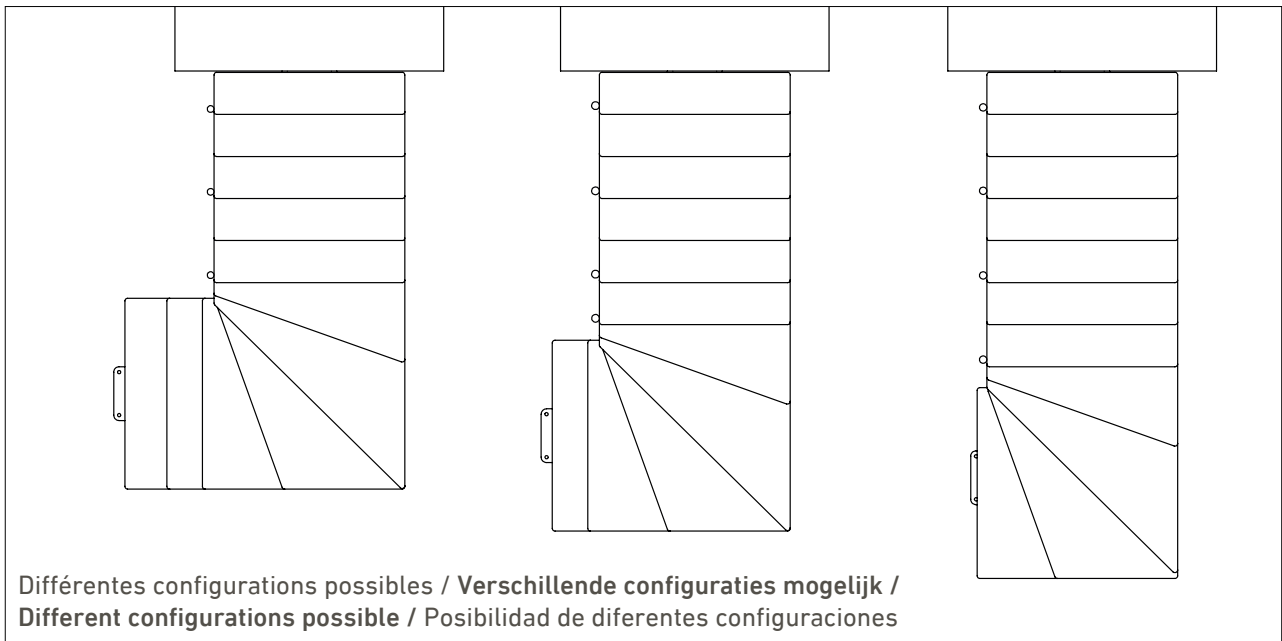
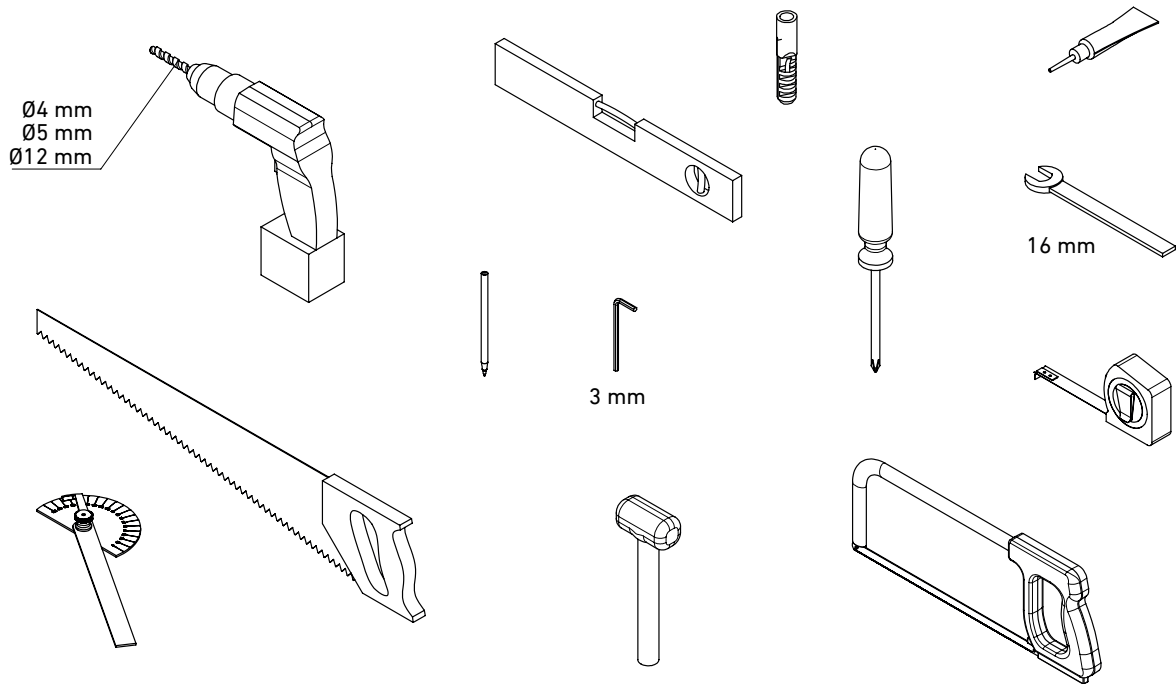
# LYON 1/4T

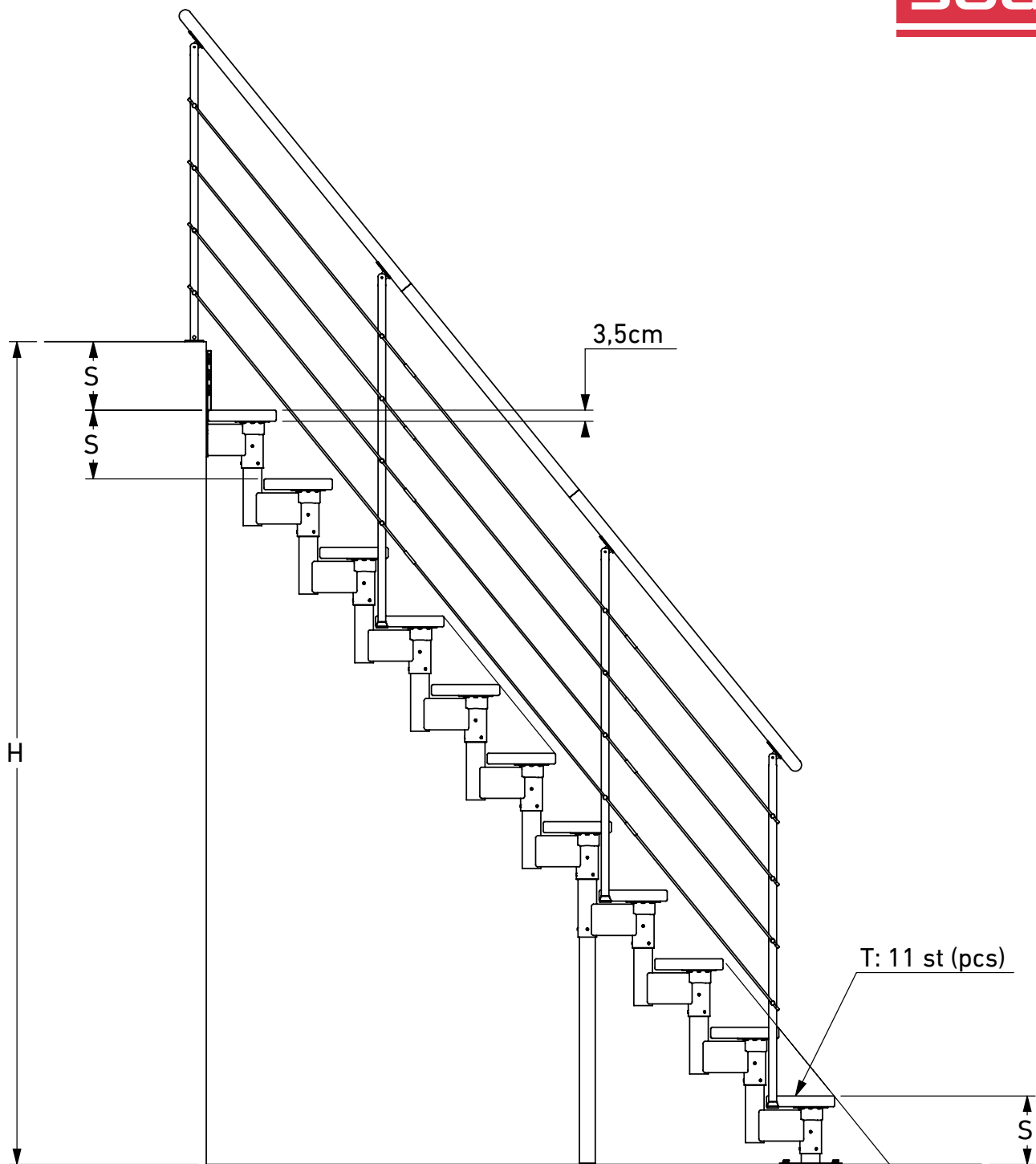


- Ⓡ LYON ESCALIER MODULAIRE 1/4 TOURNANT
- Ⓡ LYON MODULAIRE TRAP 1/4 DRAAI
- Ⓡ LYON MODULAR STAIRCASE 1/4 TURN
- Ⓡ LYON ESCALERA MODULAR 1/4 DE VUELTA



<p>30</p>  <p>× 11 K3-06003 Ø10 x 60</p>	<p>31</p>  <p>× 2 K1-13500</p>	<p>32</p>  <p>× 11 K3-04001 Ø10</p>	<p>33</p>  <p>× 12 K3-05056 M6 x 5</p>	<p>34</p>  <p>× 56 K3-05003 M8 x 6</p>	<p>35</p>  <p>× 88 K3-06030 ST6 x 30</p>
<p>36</p>  <p>× 12 K1-04040 M6 x 16</p>	<p>37</p>  <p>× 4 K3-01002 ST5 x 25</p>	<p>38</p>  <p>× 4 K3-03020 M5</p>	<p>39</p>  <p>× 8 K3-06022 Ø5 x 35</p>	<p>40</p>  <p>× 16 K3-05013 M6 x 6</p>	





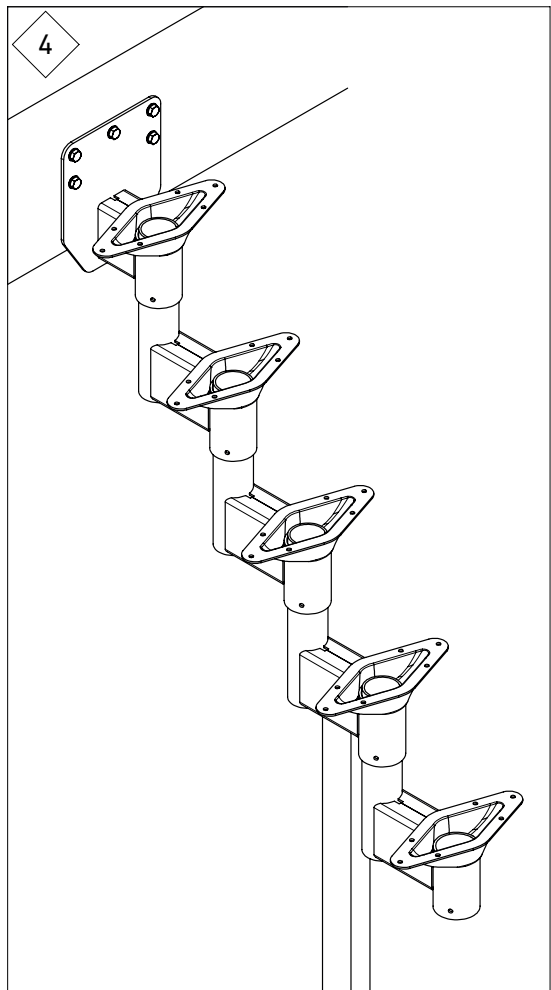
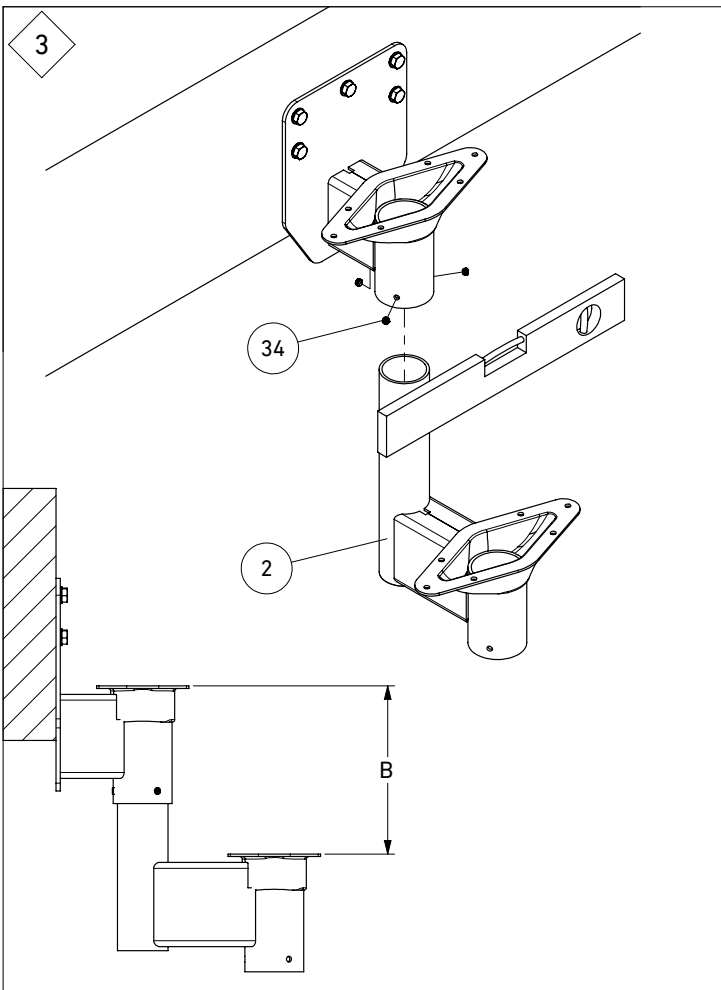
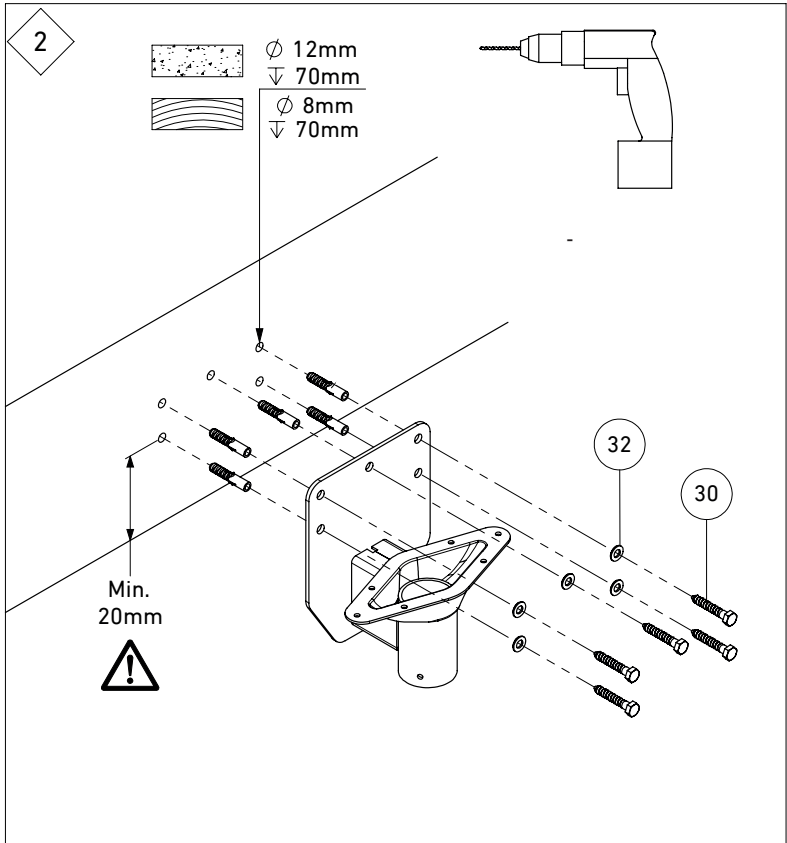
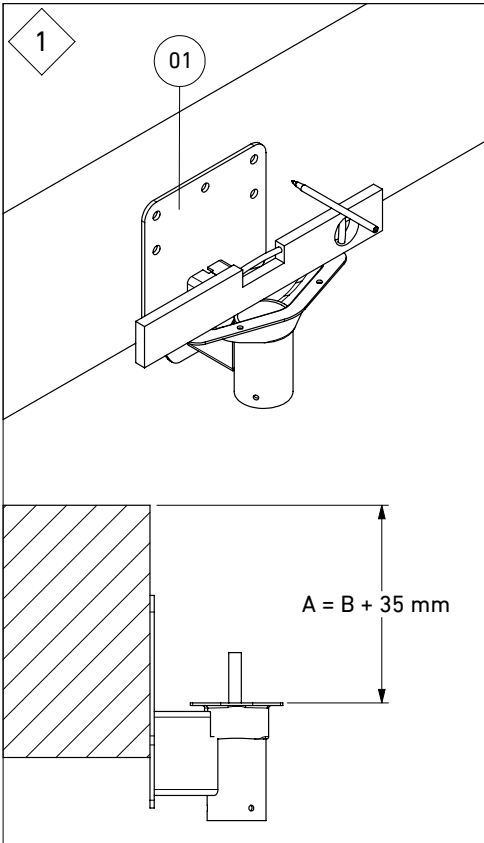
$$S = \frac{H}{T + 1}$$

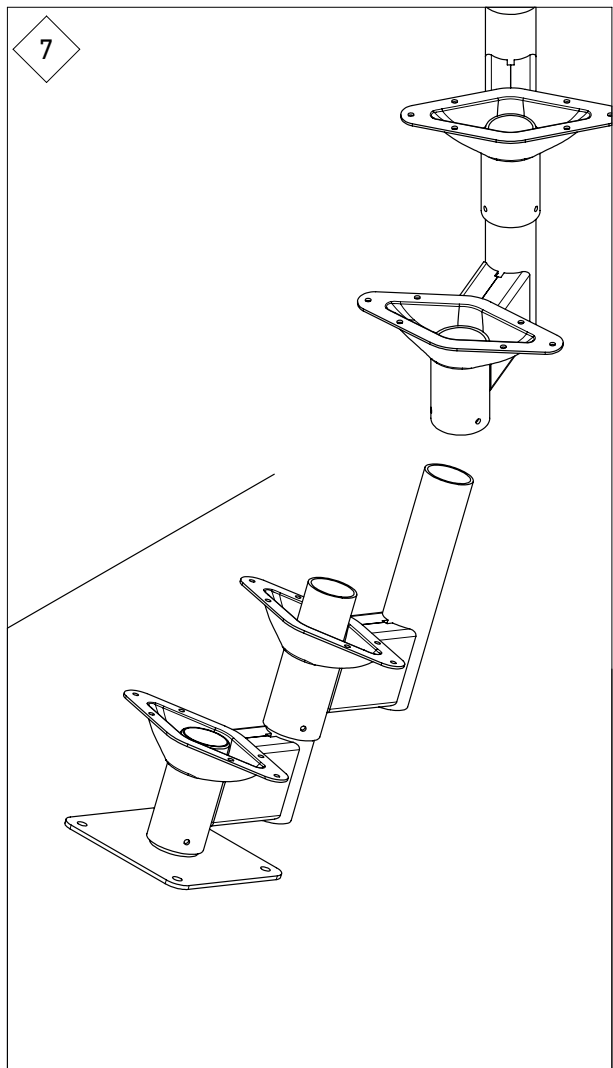
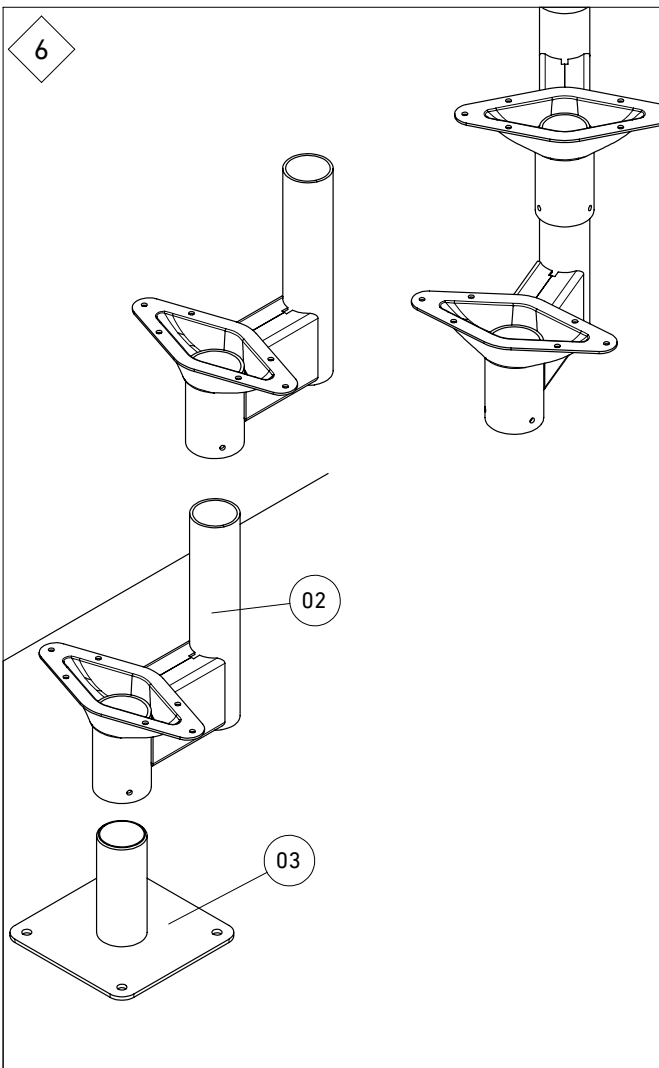
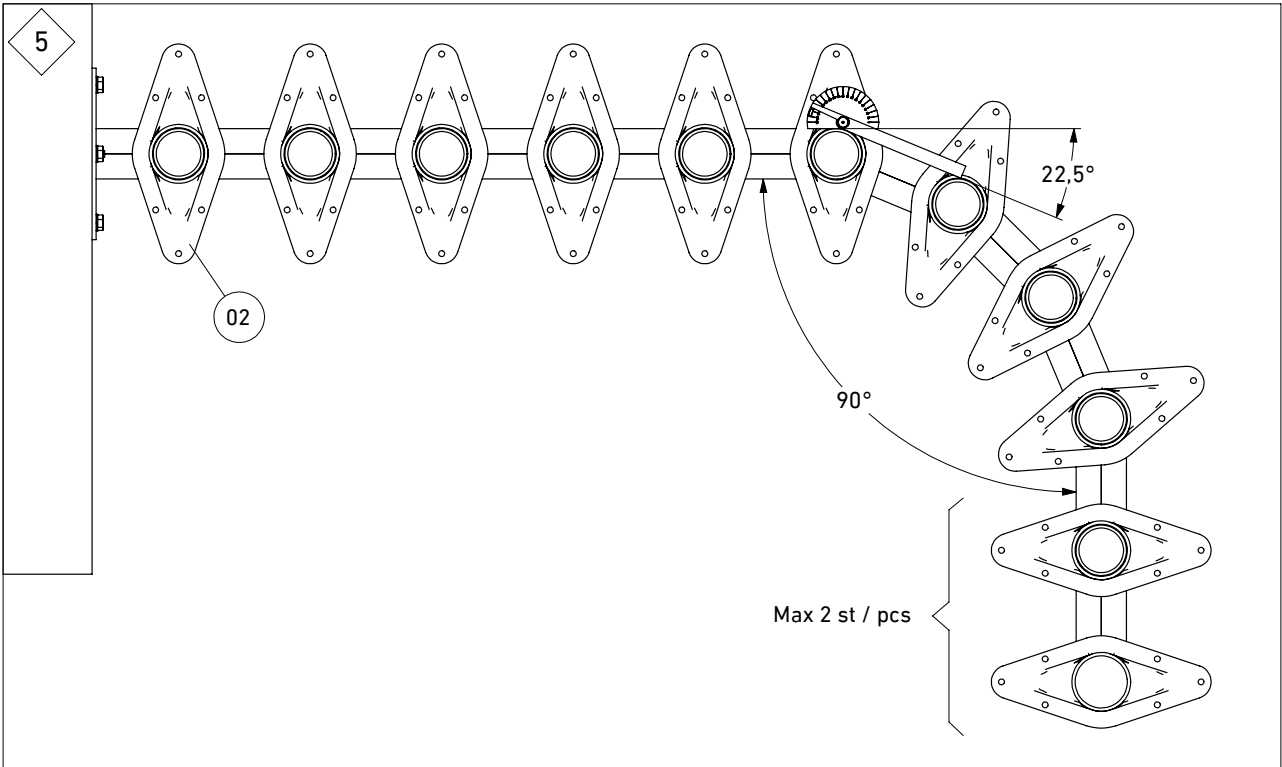
min S	max S
19,5 cm	23,5 cm

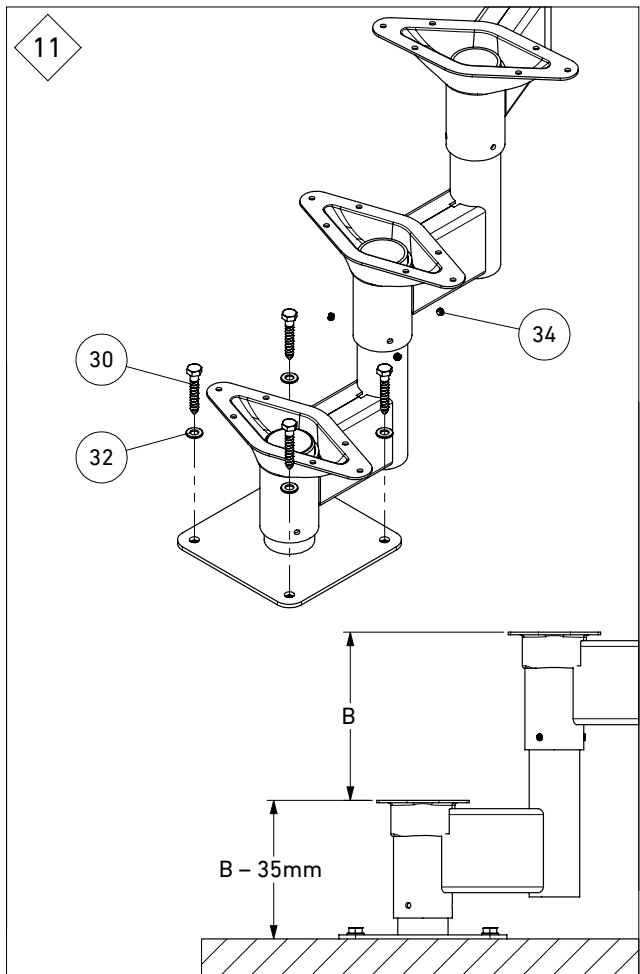
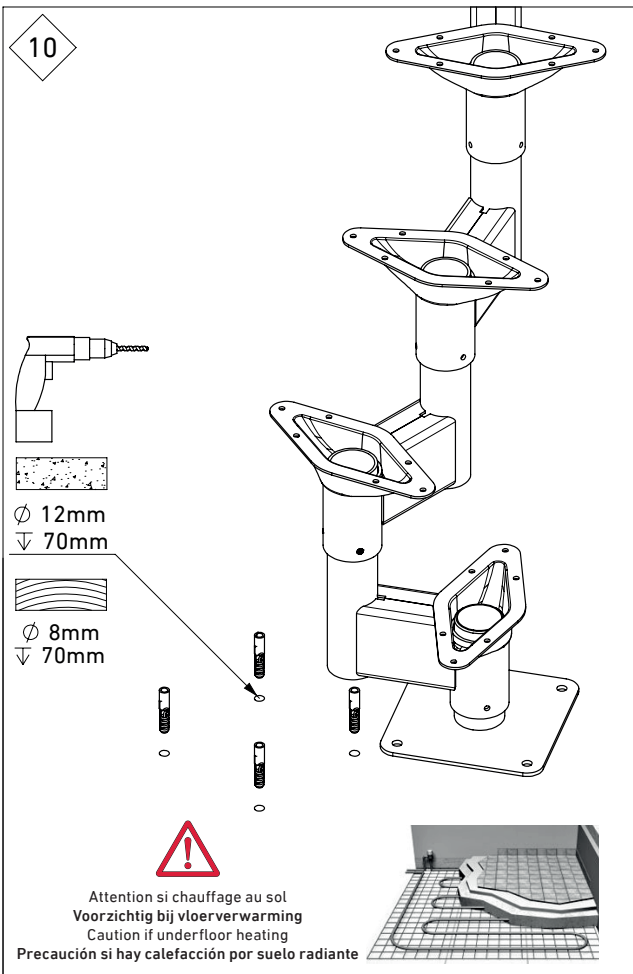
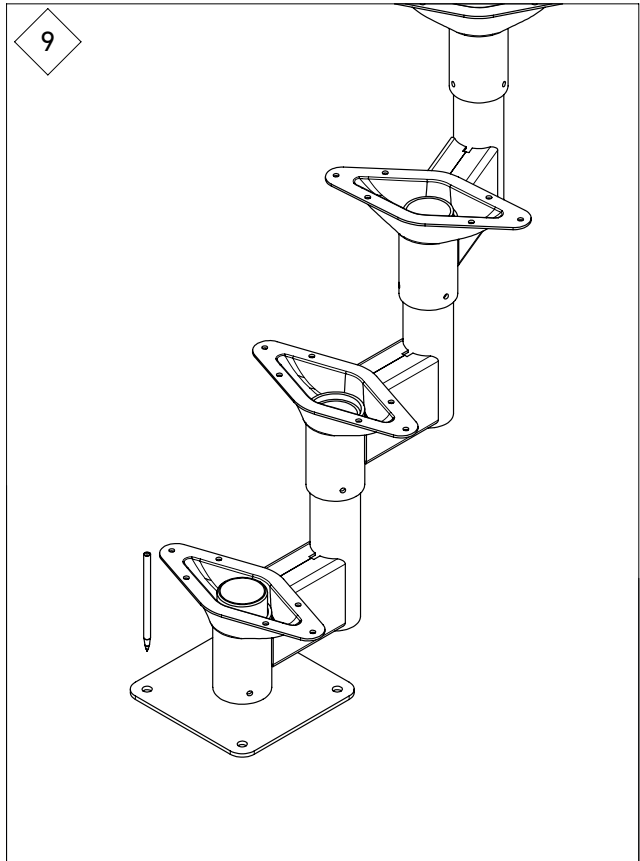
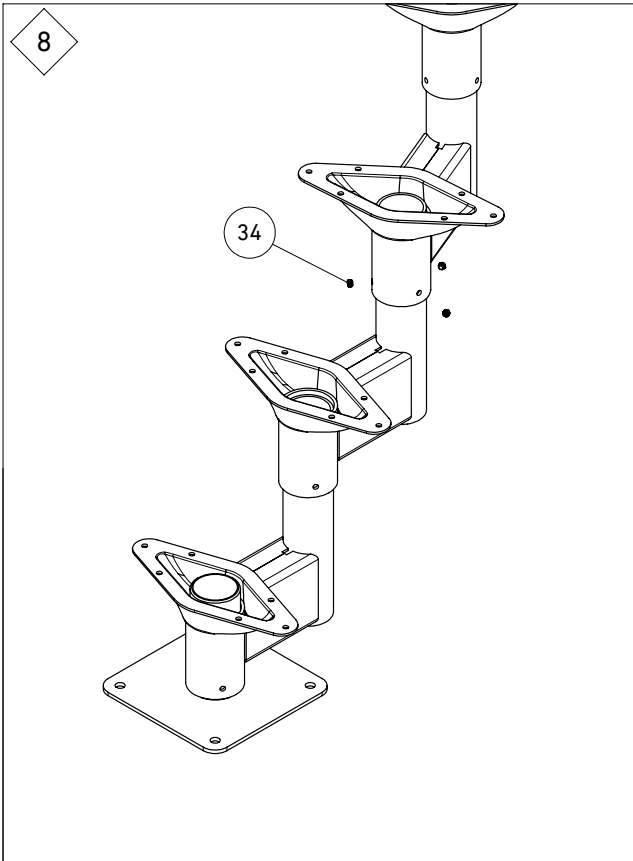
T	min H	max H
11	234 cm	282 cm

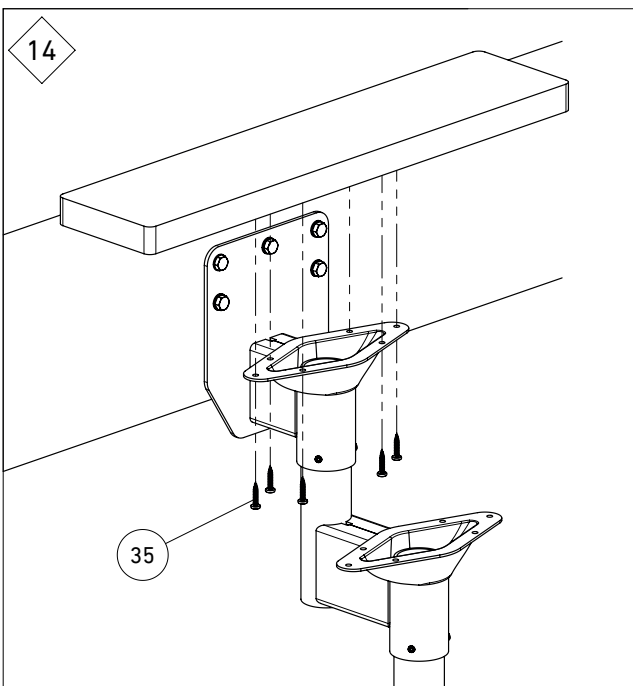
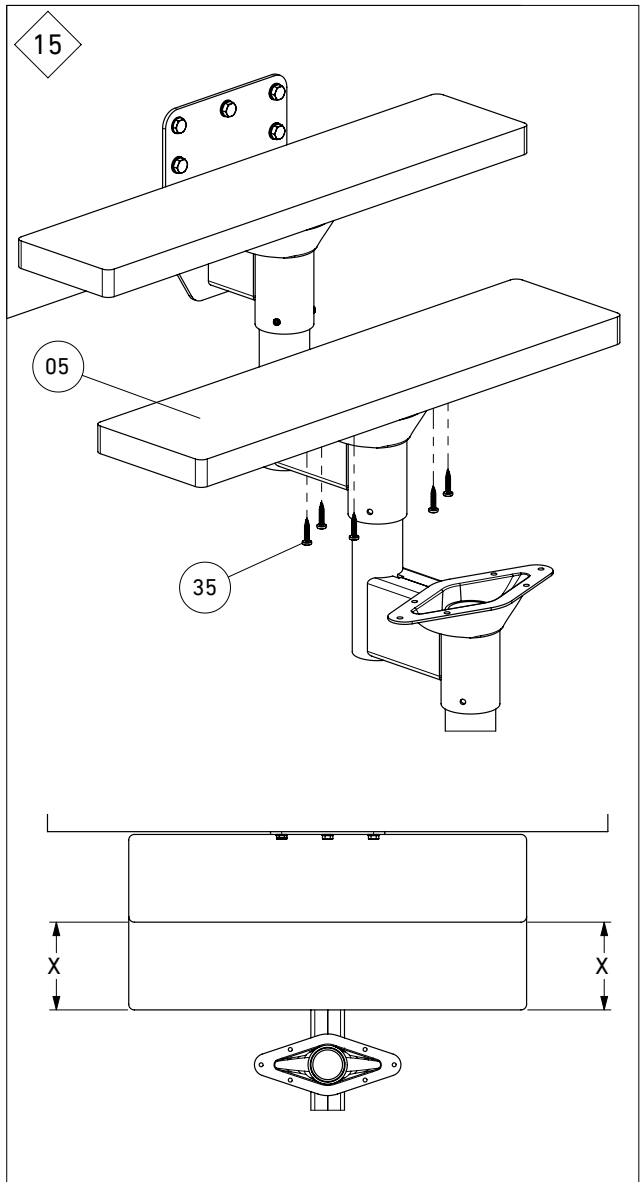
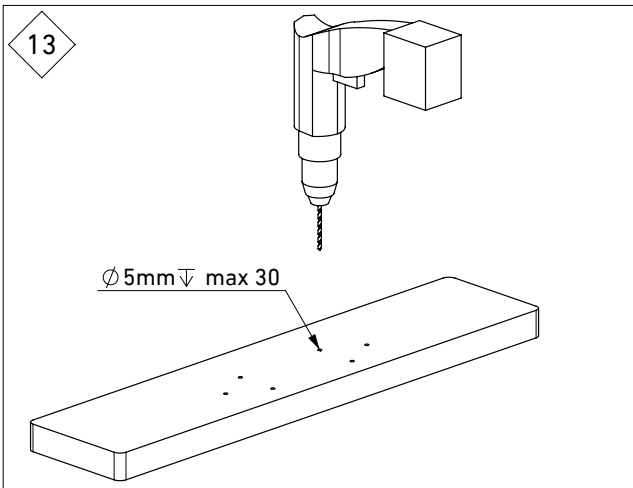
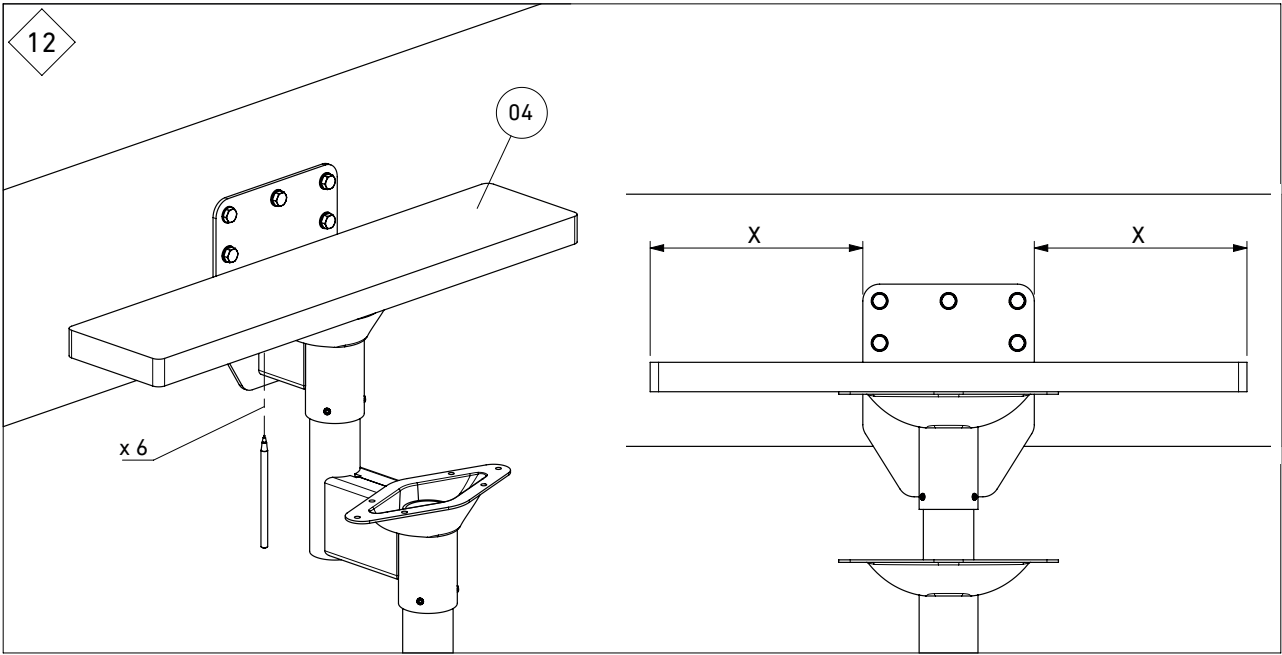
Example / exemple / ejemplo / Beispiel  
 H: 2630 mm, T: 11 st (pcs)

$$S = \frac{263 \text{ cm}}{11 + 1} = 21,9 \text{ cm}$$











16

