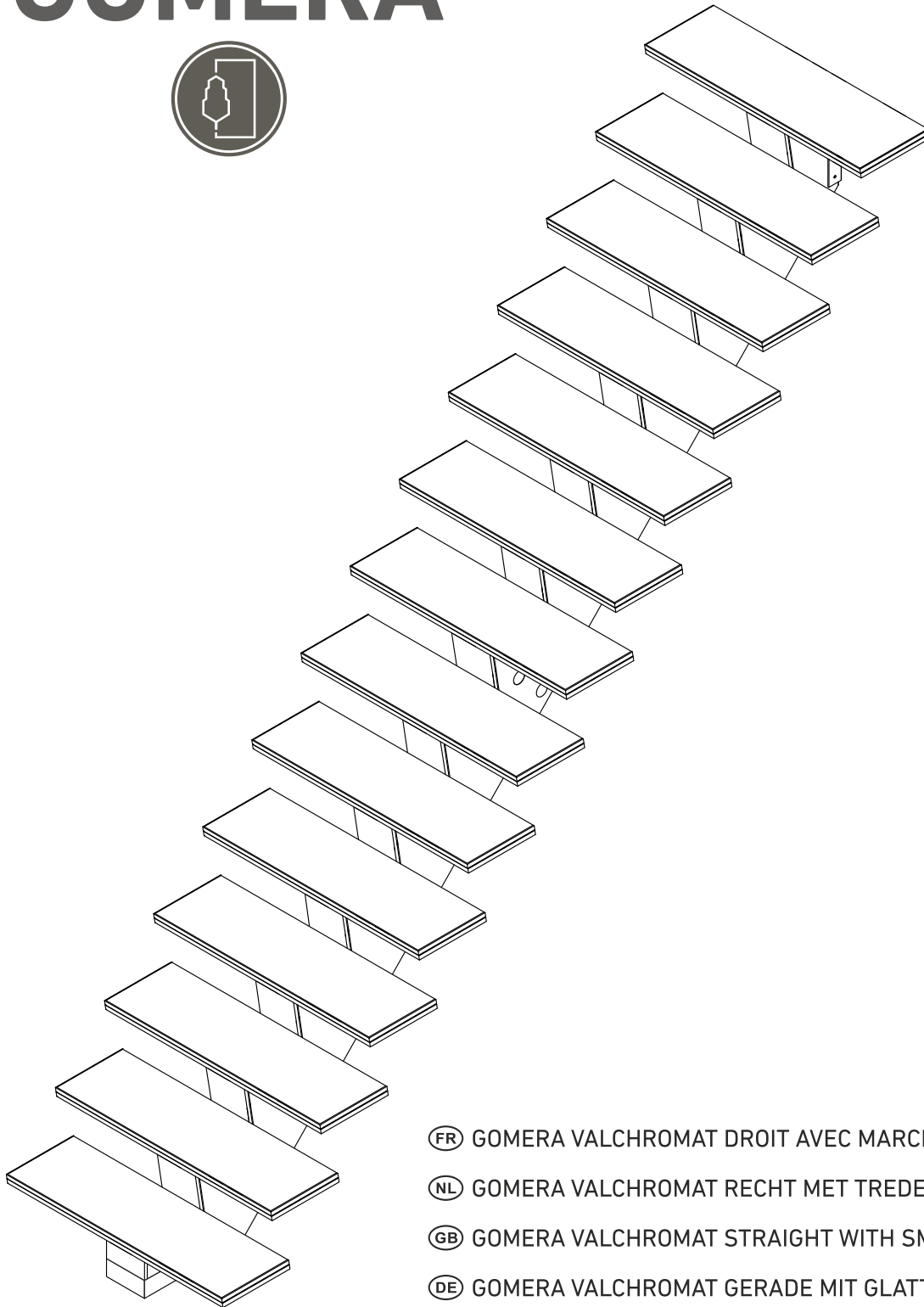
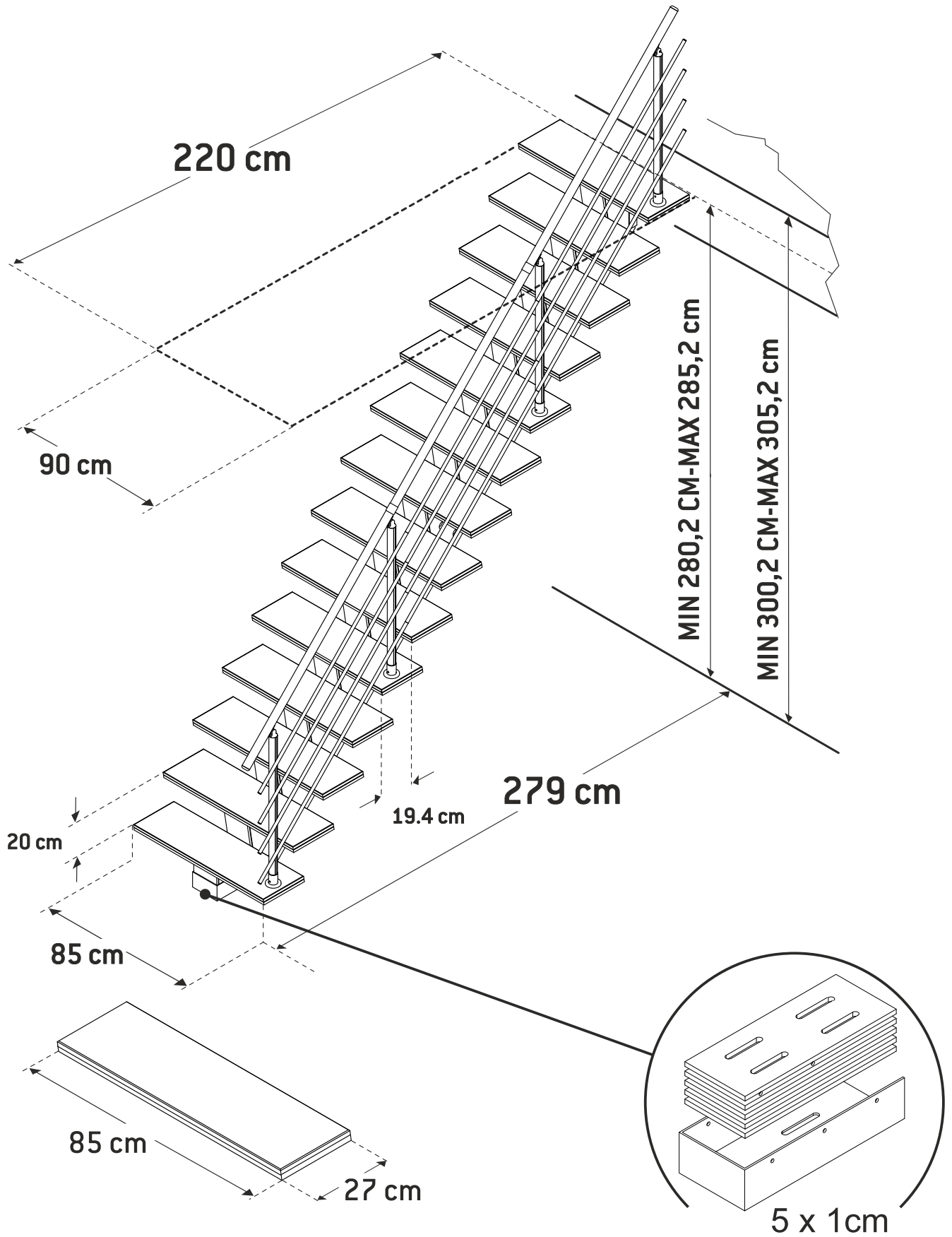




GOMERA



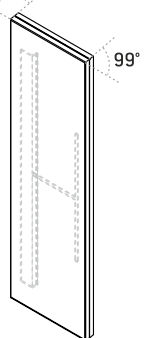
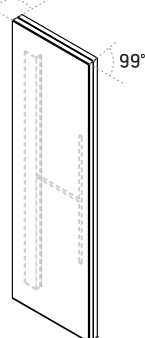


- Ⓧ FR GOMERA VALCHROMAT DROIT AVEC MARCHES LISSES
- Ⓧ NL GOMERA VALCHROMAT RECHT MET TREDEN VLAK
- Ⓧ GB GOMERA VALCHROMAT STRAIGHT WITH SMOOTH TREADS
- Ⓧ DE GOMERA VALCHROMAT GERADE MIT GLATT STUFEN
- Ⓧ ES GOMERA VALCHROMAT RECTA CON PELDAÑOS LISAS
- Ⓧ RO GOMERA VALCHROMAT DREAPTĂ CU TREPTE NETEDE

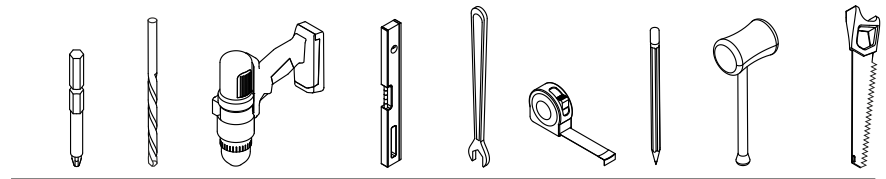




<p>01 x1</p> <p>150X380X1946</p> <p>70043030</p>	<p>02 x1</p> <p>150X380X1910</p> <p>70043031</p>	<p>03 x8+1</p> <p>Ø50X5</p> <p>70041032</p>	<p>04 x56+2</p> <p>Ø20X5</p> <p>70041031</p>	<p>05 x5</p> <p>10X149X375</p> <p>70041016</p>
<p>06</p> <p>10X20,30,40,50X150</p> <p>50mm → 5x 05 40mm → 4x 05 30mm → 3x 05 20mm → 2x 05</p> <p>70041026</p>	<p>07 x1</p> <p>50X162X315</p> <p>70041034</p>	<p>08 x1</p> <p>84X159X382</p> <p>70041033</p>	<p>09 x14</p> <p>80X85X700</p> <p>70042044</p>	<p>10 x8</p> <p>11X18X35</p> <p>70041003</p>
<p>11 x8</p> <p>19XØ37XØ40</p> <p>70031034</p>	<p>12 x8</p> <p>M8</p> <p>70041004</p>	<p>13 x28+2</p> <p>Ø6,3X60 / Ø6,3X45</p> <p>70041007</p>	<p>14 x12</p> <p>Ø7X40</p> <p>70041007</p>	<p>15 x87+2</p> <p>Ø5X25</p> <p>70041030</p>
<p>16 x1</p> <p>HEX 4</p> <p>70041028</p>	<p>17 x4</p> <p>M8X160</p> <p>70031033</p>	<p>18 x8</p> <p>M12XØ16X80</p> <p>70041006</p>	<p>19 x28</p> <p>15XØ16</p> <p>70041059</p>	<p>20 x28+1</p> <p>M6X50</p> <p>70041058</p>

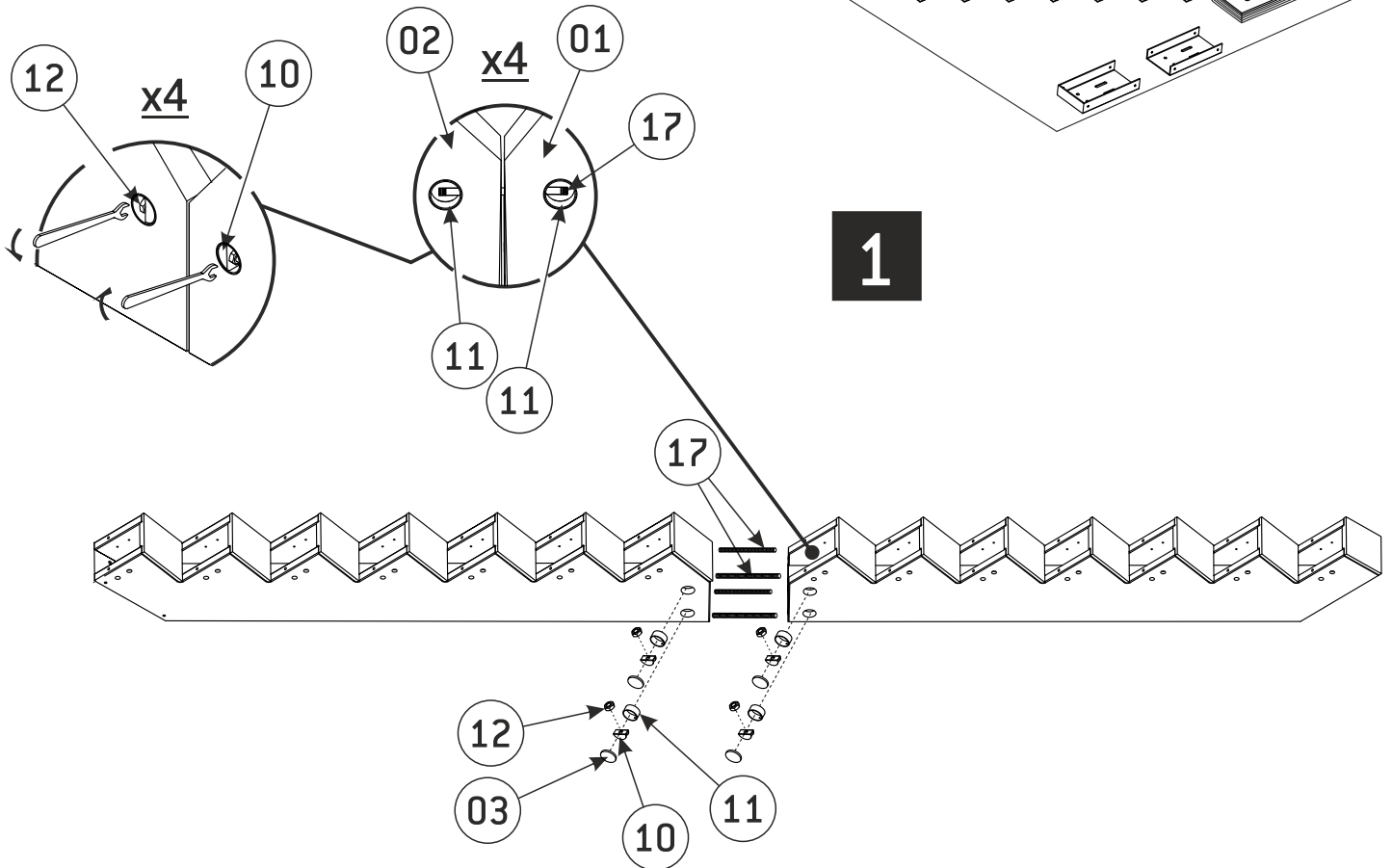
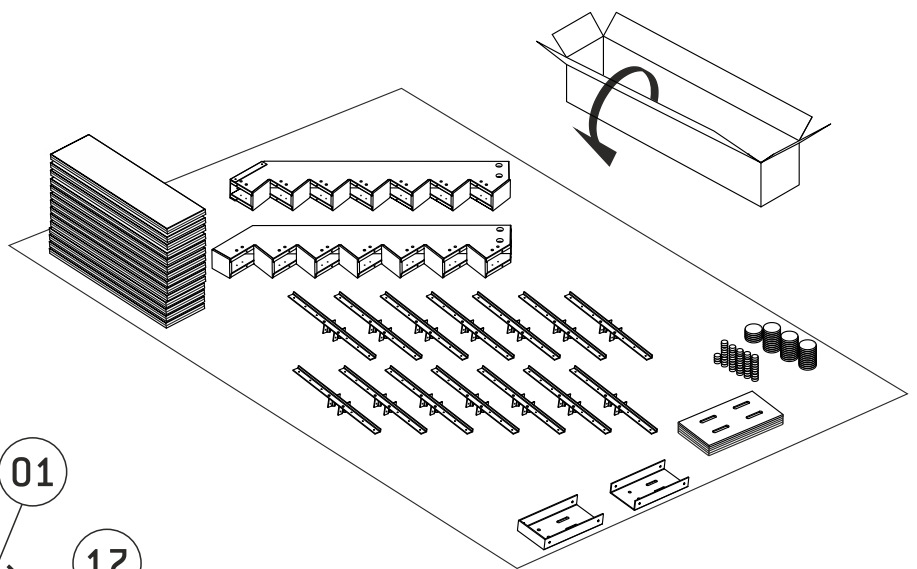
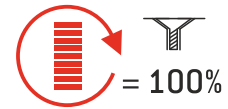


<p>21 x13</p> <p>81° 36,5X275X850</p> <p>99°</p> 	<p>22 x1</p> <p>90° 36,5X275X850</p> <p>99°</p> 
<p>23 x1</p> <p>20 ml</p>  <p>CUSTOM MADE 20ml</p> <p>70041056</p>	<p>24 x1</p> <p>36.5X53X190</p> 



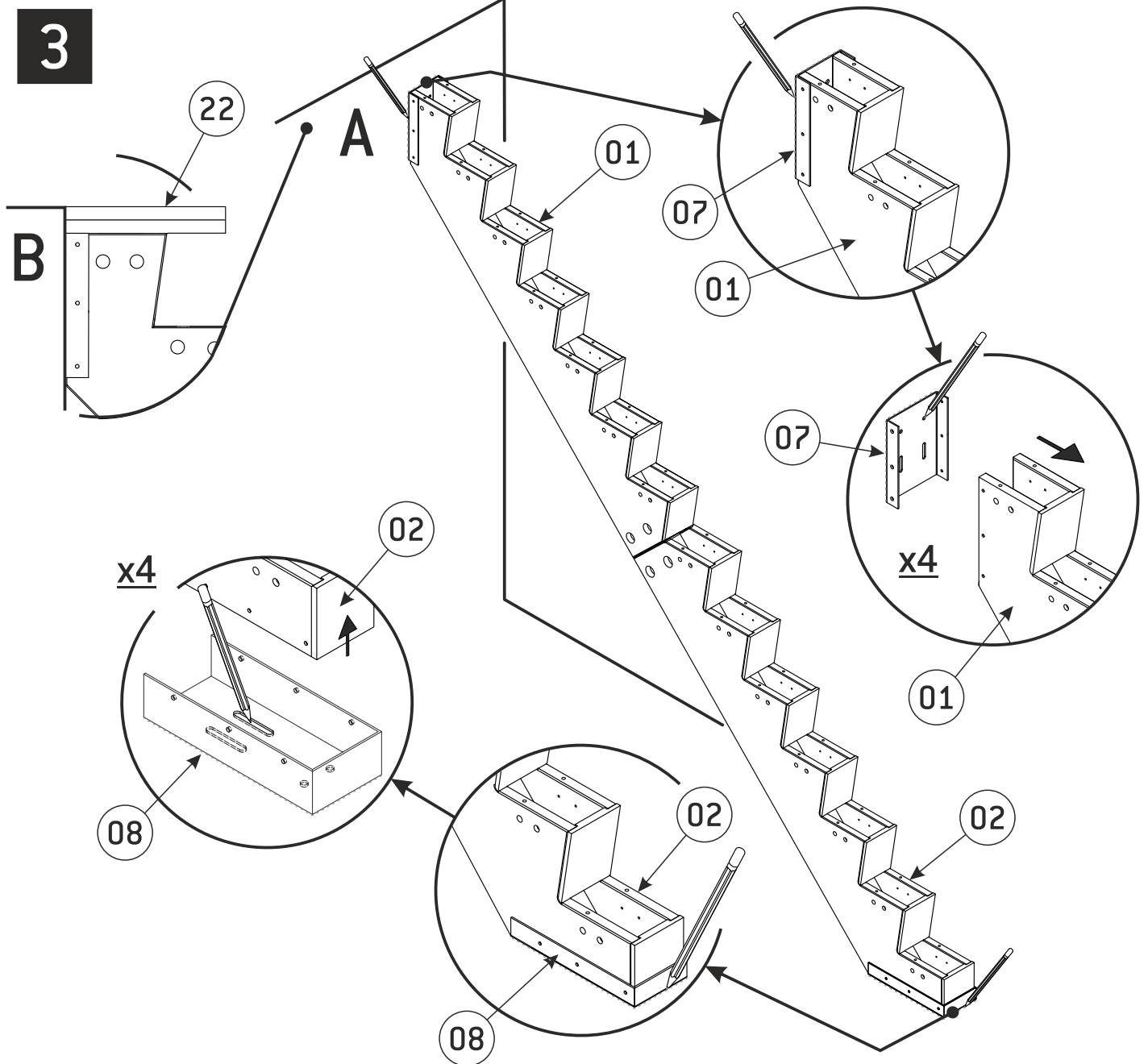
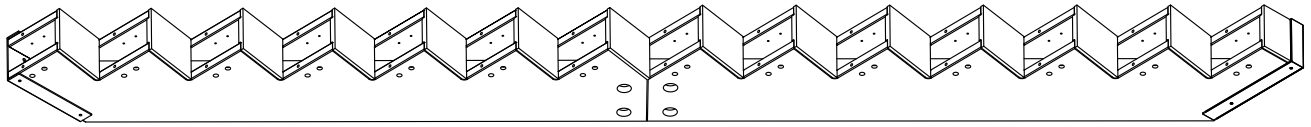
Ph2/3 016
Pz2/3

10
13
17



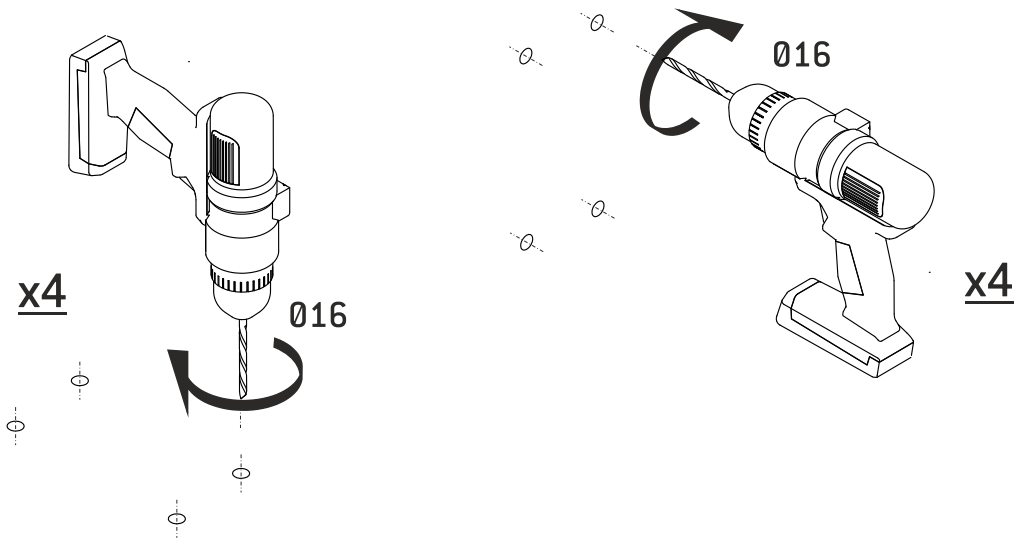


2 45.9°

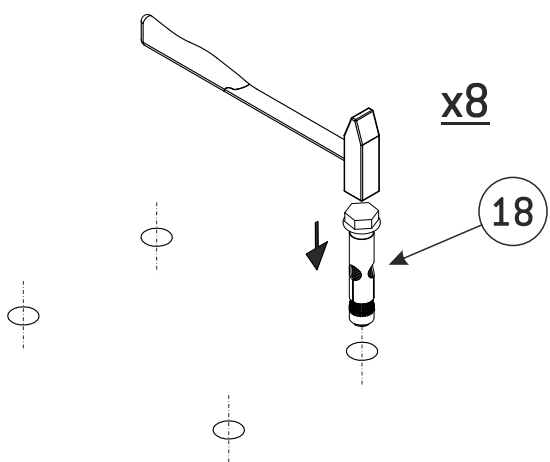




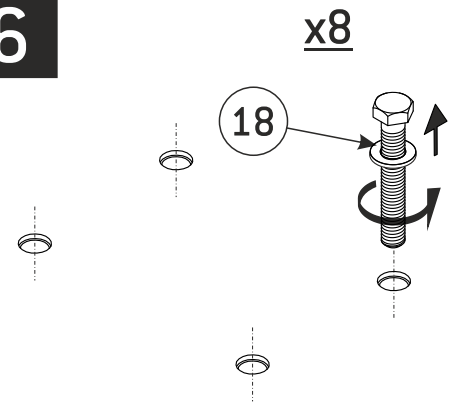
4



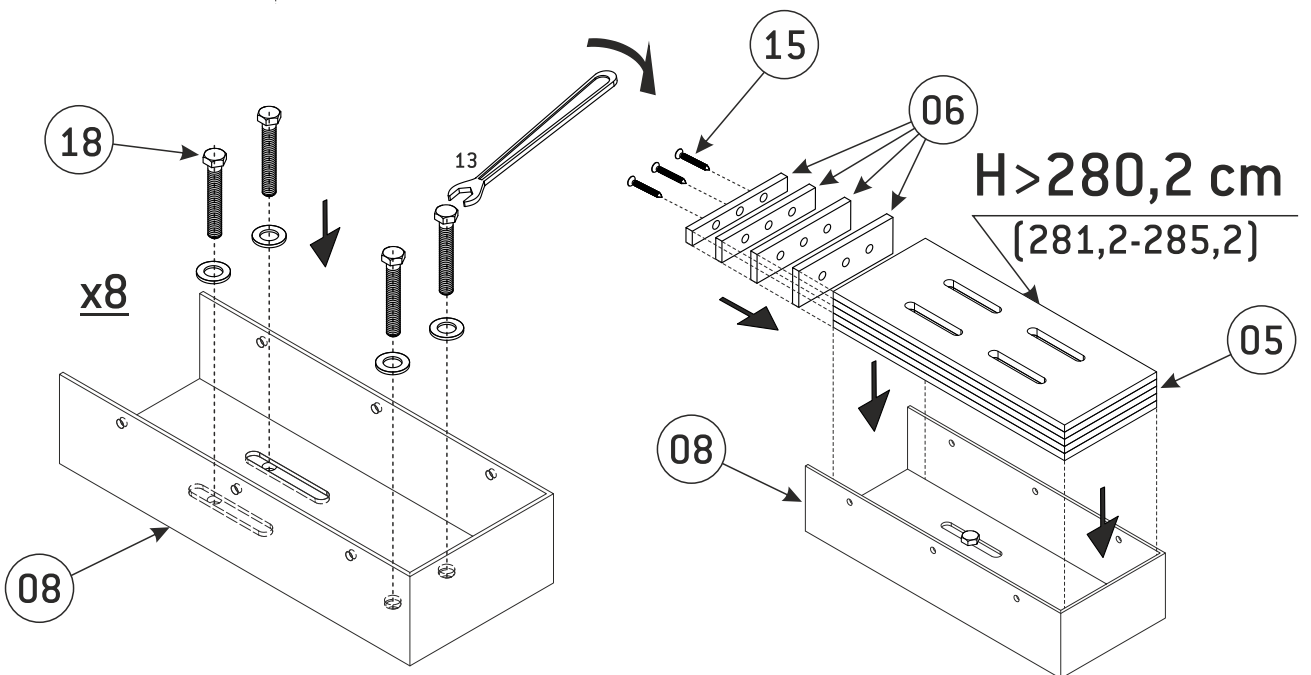
5



6



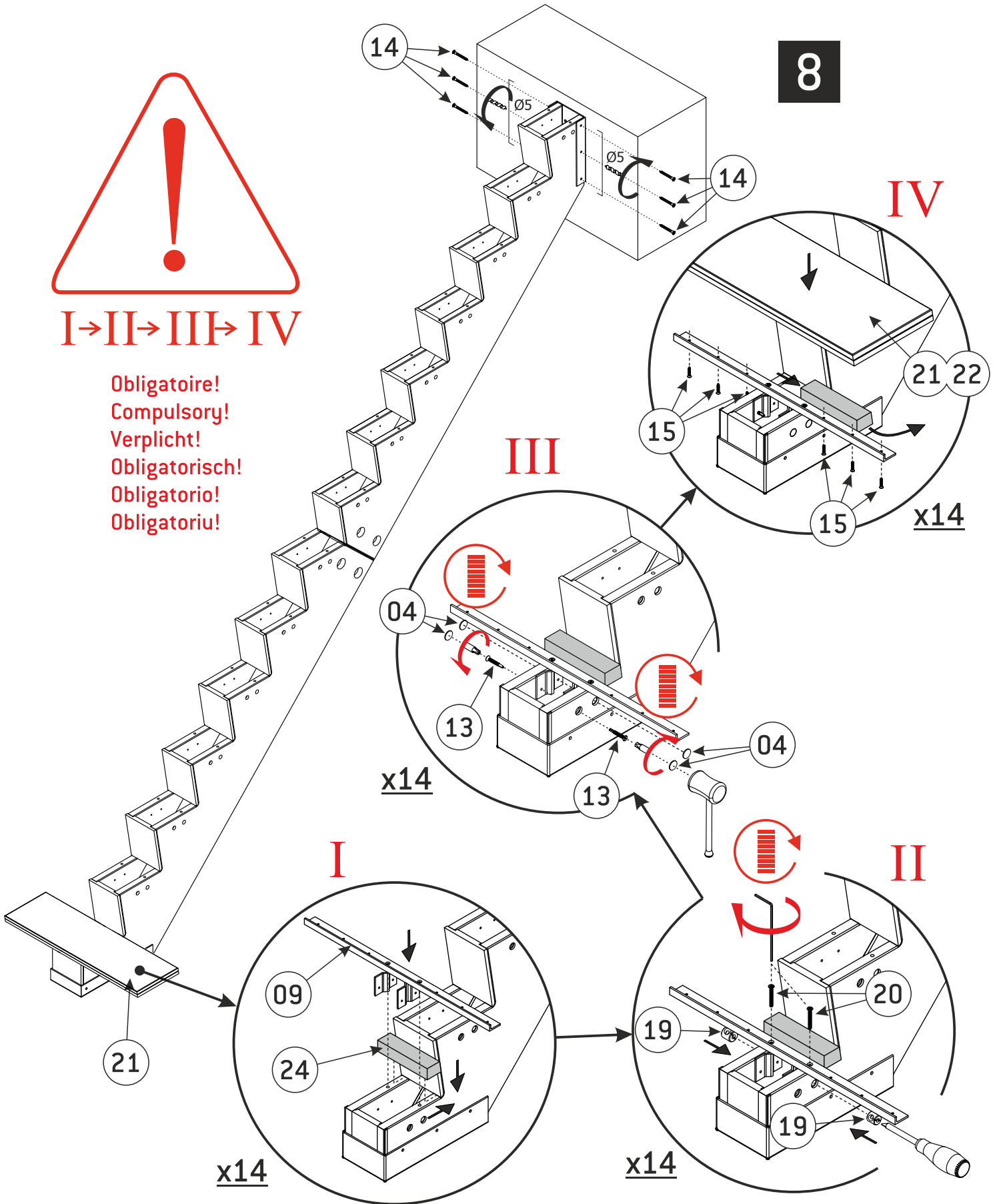
7





I→II→III→IV

Obligatoire!
Compulsory!
Verpflicht!
Obligatorisch!
Obligatorio!
Obligatoriu!





9

