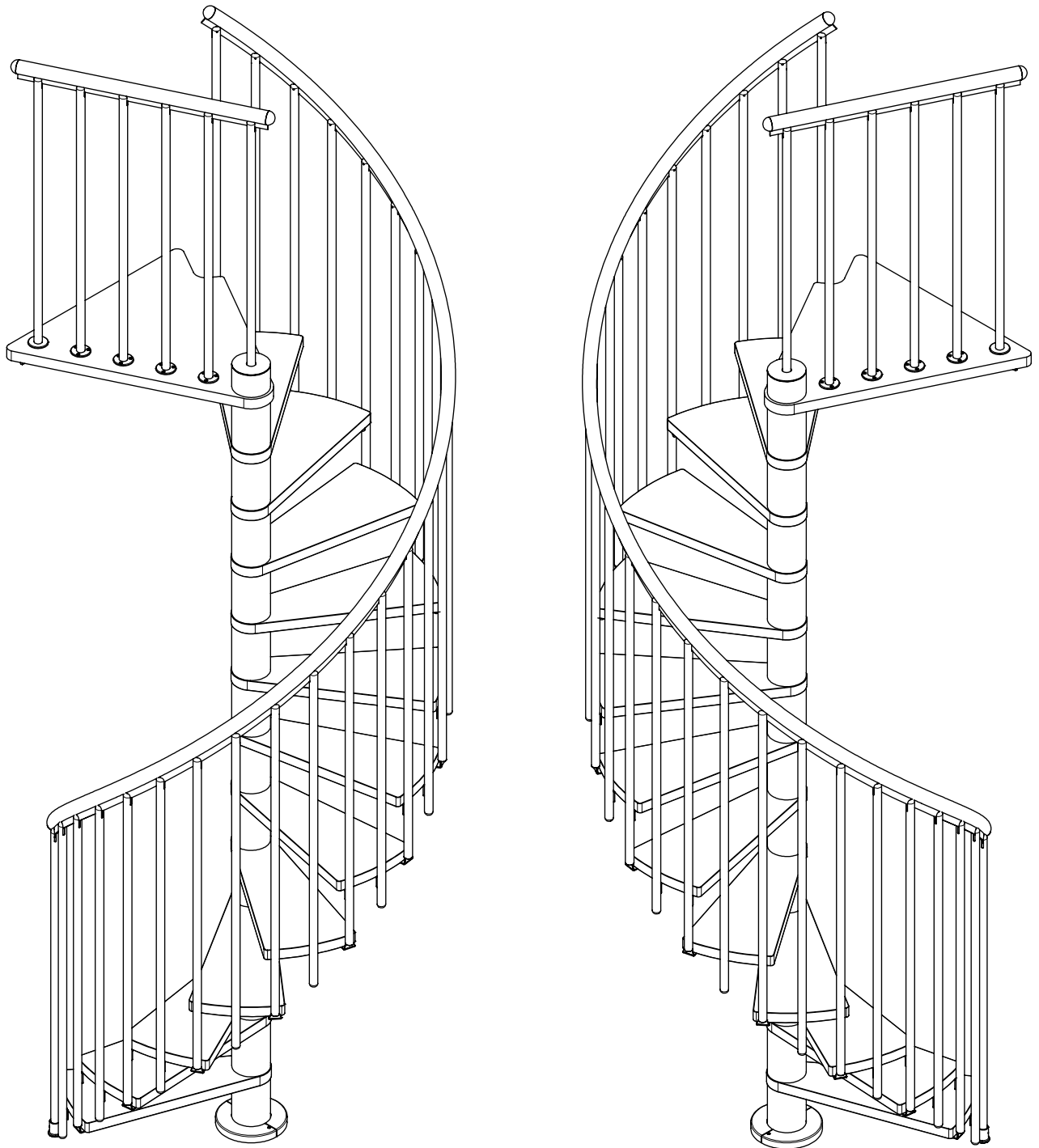
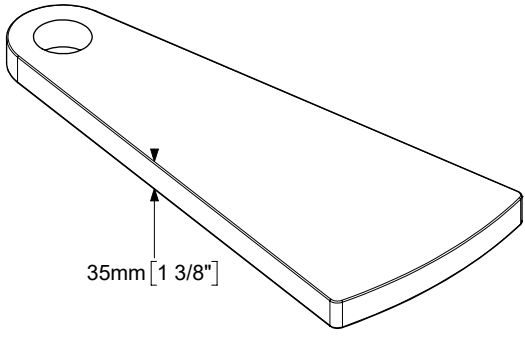



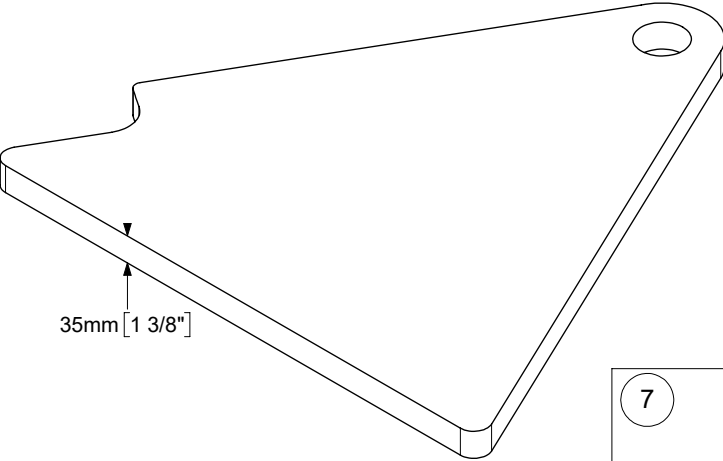
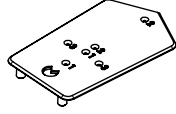


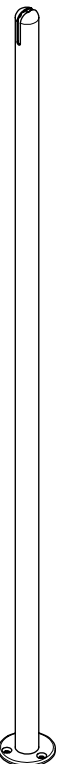

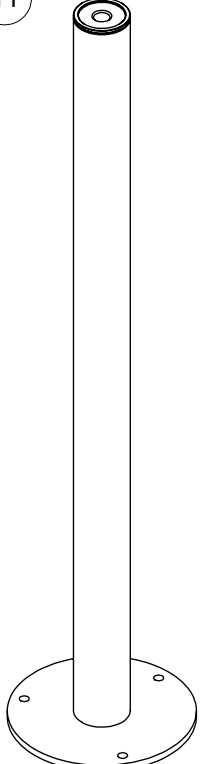
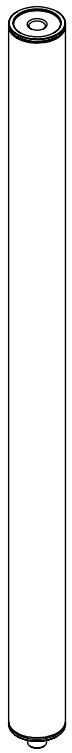






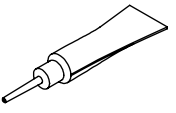




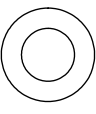




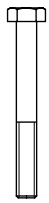



CLASSIC 3

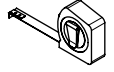
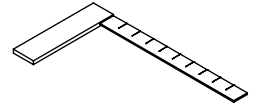
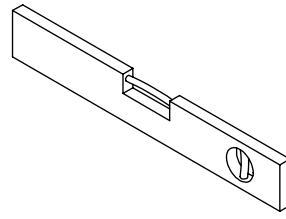
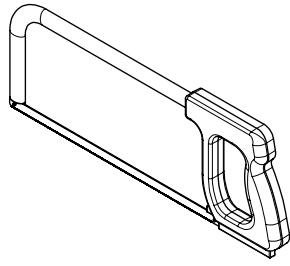
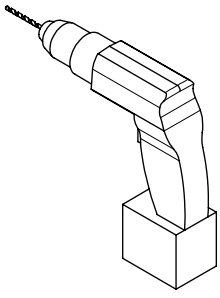
Ø120 cm



<p>1</p>  <p>x 11 K1-71102 <i>Beech / Buche / Beuk / Hêtre / Bøg</i> K1-71192 <i>RAL 7016</i></p>	<p>3</p>  <p>x 23 K1-71231 <i>RAL 9006</i> K1-71431 <i>RAL 7016</i> K1-71631 <i>RAL 9016</i></p>	<p>5</p> 	<p>6</p> 		
<p>2</p>  <p>x 1 K1-71103 <i>Beech / Buche / Beuk / Hêtre / Bøg</i> K1-71193 <i>RAL 7016</i></p>	<p>4</p>  <p>x 1 K1-71020</p>	<p>7</p>  <p>x 1 K1-32224 <i>RAL 9006</i> K1-32424 <i>RAL 9016</i> K1-71421 <i>RAL 7016</i></p>	<p>x 11 K1-71230 <i>RAL 9006</i> K1-71430 <i>RAL 7016</i> K1-71630 <i>RAL 9016</i></p> <p>x 1 K1-71220 <i>RAL 9006</i> K1-71420 <i>RAL 7016</i> K1-71620 <i>RAL 9016</i></p>		
<p>8</p>  <p>x 1 K2-71260 <i>RAL 9006</i> K2-71460 <i>RAL 7016</i> K2-71660 <i>RAL 9016</i></p>	<p>9</p>  <p>x 4 K2-71250 <i>RAL 9006</i> K2-71450 <i>RAL 7016</i> K2-71650 <i>RAL 9016</i></p>	<p>10</p>  <p>x 1 K2-71240 <i>RAL 9006</i> K2-71440 <i>RAL 7016</i> K2-71640 <i>RAL 9016</i></p>	<p>11</p>  <p>x 1 K2-71010</p>	<p>12</p>  <p>x 1 K2-71012</p>	<p>13</p>  <p>x 1 K1-71000</p>

<p>14</p> <p>M20mm [13/16"]</p> <p>1170mm [46 1/16"]</p> <p>x 1 K3-07013</p>	<p>15</p> <p>161mm [6 5/16"]</p> <p>x 1 K2-71210 RAL 9006 K2-71410 RAL 7016 K2-71610 RAL 9016</p>	<p>16</p> <p>169mm [6 5/8"]</p> <p>x 11 K2-71211 RAL 9006 K2-71411 RAL 7016 K2-71611 RAL 9016</p>	<p>17</p> <p>x 1 K2-71005</p>	<p>18</p> <p>x 3 K1-71201 RAL 9006 K1-71401 RAL 7016 K1-71601 RAL 9016</p>	<p>19</p> <p>x 1 K2-71215 RAL 9006 K2-71415 RAL 7016 K2-71615 RAL 9016</p>
	<p>20</p> <p>x 2 K2-71200 RAL 9006 K2-71400 RAL 7016 K2-71600 RAL 9016</p>	<p>21</p> <p>Ø 42mm [1 5/8"]</p> <p>x 4 K1-29486 RAL 9006 K1-39010 RAL 7016 K1-71290 RAL 9016</p>	<p>22</p> <p>Ø 42mm [1 5/8"]</p> <p>x 1 K1-39000</p>	<p>23</p> <p>13mm [1/2"]</p> <p>x 6 K1-01003 RAL 9006 K1-01013 RAL 9006 K1-01023 RAL 7016</p>	<p>24</p> <p>x 1 K1-19310 RAL 9006 K1-71402 RAL 7016 K1-71602 RAL 9016</p>
	<p>25</p> <p>Ø 42mm [1 5/8"]</p> <p>x 1 K1-39117 4200mm [165 3/8"] RAL 7016 K1-71292 4200mm [165 3/8"] RAL 9006 K1-71692 4200mm [165 3/8"] RAL 9016</p>				
<p>26</p> <p>Ø 42mm [1 5/8"]</p> <p>1000mm [39 3/8"]</p> <p>x 1 K1-29410 RAL 9016 K1-39110 RAL 7016 K1-71291 RAL 9006</p>					<p>27</p> <p>Ø 42mm [1 5/8"]</p> <p>x 72 K1-71205 RAL 9006 K1-71405 RAL 7016 K1-71605 RAL 9016</p>

<p>35</p>  <p>x 11 K1-71270 RAL 9006 K1-71470 RAL 7016 K1-71670 RAL 9016</p>	<p>50</p>  <p>x 79 K3-10226 RAL 7016 K3-06022 FZP/BZP K3-10126 FZP/BZP Ø5 x 35mm - Torx 25</p>	<p>51</p>  <p>x 46 K3-10239 RAL 7016 K3-06199 FZB/BZP K3-10139 RAL 9016 M5 x 20mm - Torx 25</p>	<p>52</p>  <p>x 1 K3-90001</p>		
	<p>53</p>  <p>x 9 K3-04028 Ø8,4mm</p>	<p>54</p>  <p>x 8 K3-08004 Ø10 x 60mm</p>	<p>55</p>  <p>x 8 K3-06015 M8 x 70mm</p>	<p>56</p>  <p>x 1 K3-03024 M20mm</p>	<p>57</p>  <p>x 1 K3-04020 Ø20mm</p>
	<p>58</p>  <p>x 1 K3-08002 Ø8 x 40mm</p>	<p>59</p>  <p>x 2 K3-10231 RAL 7016 K3-02131 FZB/BZP K3-10131 RAL 9016 M4 x 10mm</p>	<p>60</p>  <p>x 1 K3-10233 RAL 7016 K3-05013 FZP/BZP K3-10133 RAL 9016 M6 x 6mm</p>		
	<p>61</p>  <p>x 29 K3-10230 RAL 7016 K3-05011 FZB/BZP K3-10130 RAL 9016 M5 x 20mm</p>	<p>62</p>  <p>x 1 K3-02081 M8 x 70mm</p>	<p>63</p>  <p>x 1 K3-03014 M20mm</p>	<p>69</p>  <p>x 1 R1-63272 Ø6 x 25mm</p>	
	<p>71</p>  <p>x 1 K3-06016 Ø6 x 40mm - Torx 25</p>				



Torx 25



2,5mm



3mm

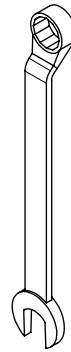


4mm

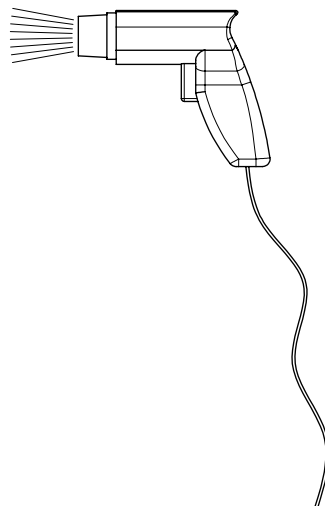
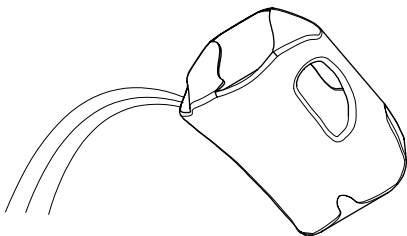
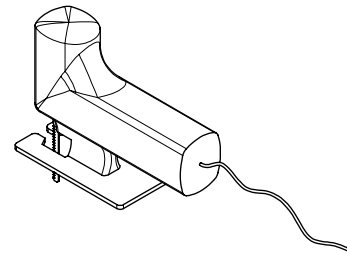
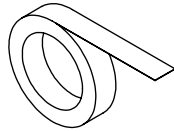
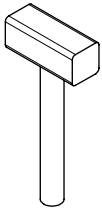


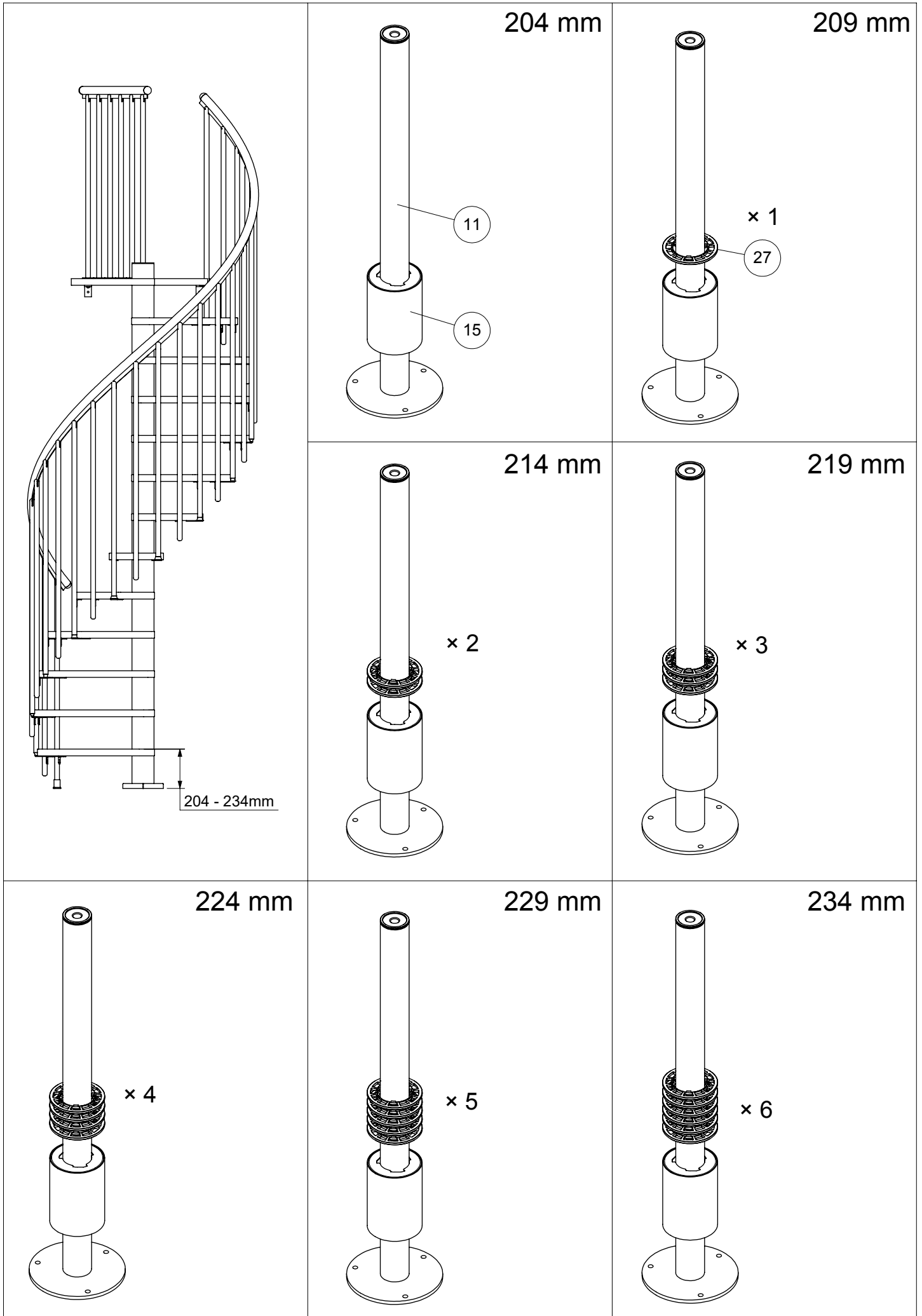
13mm

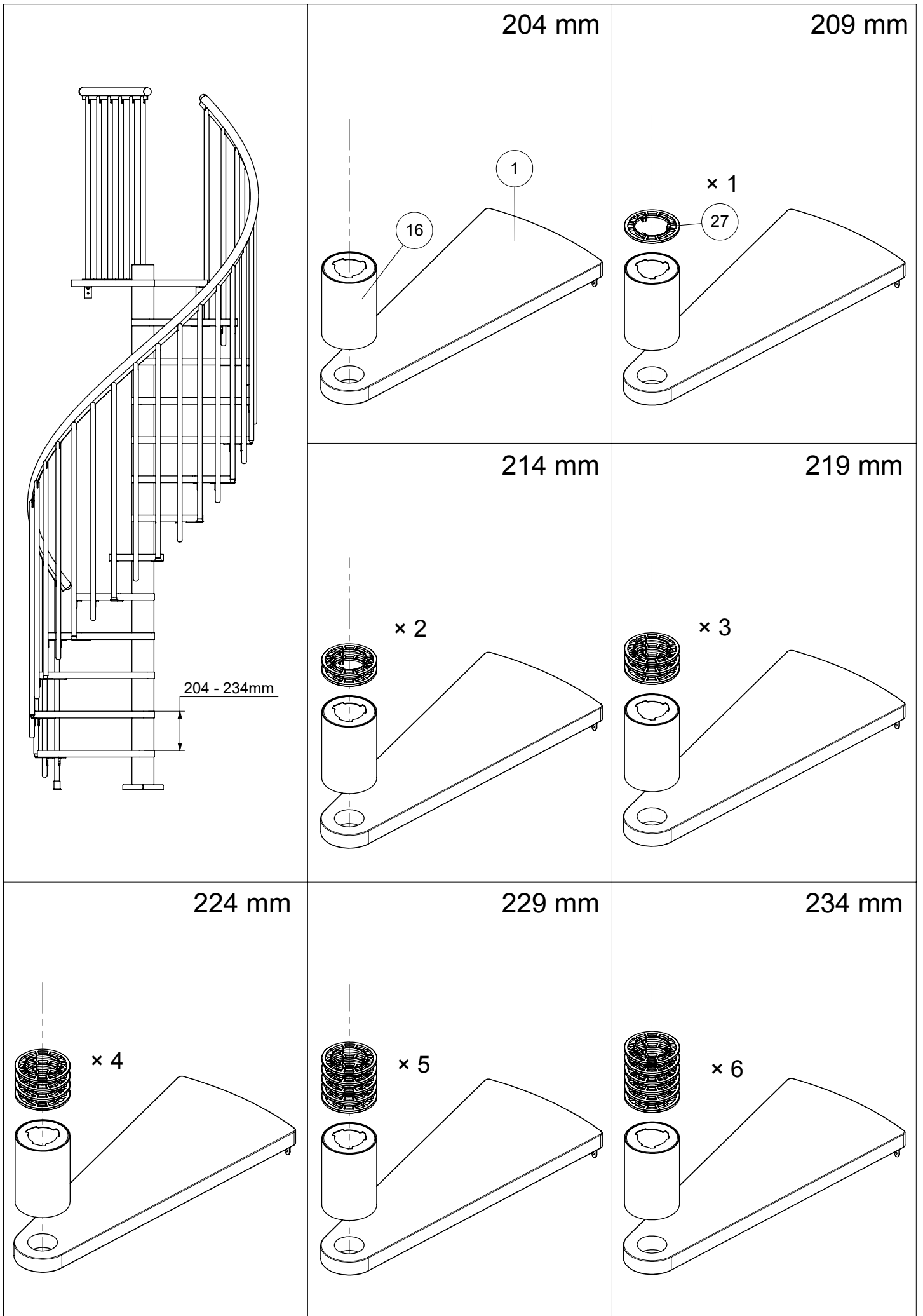
x 2

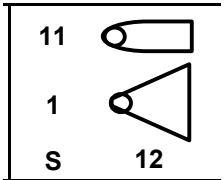


30mm

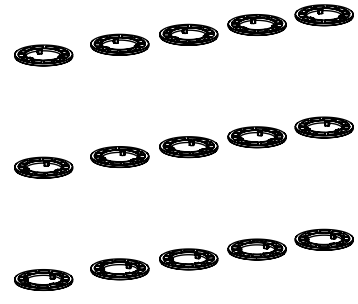




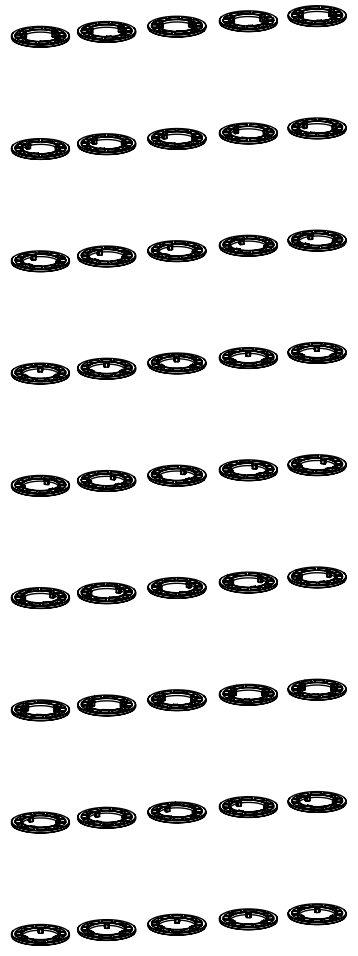




N
0 ... 6 st (pcs)



N
0 ... 6 st (pcs)



P
+1
st (pcs)



N x S

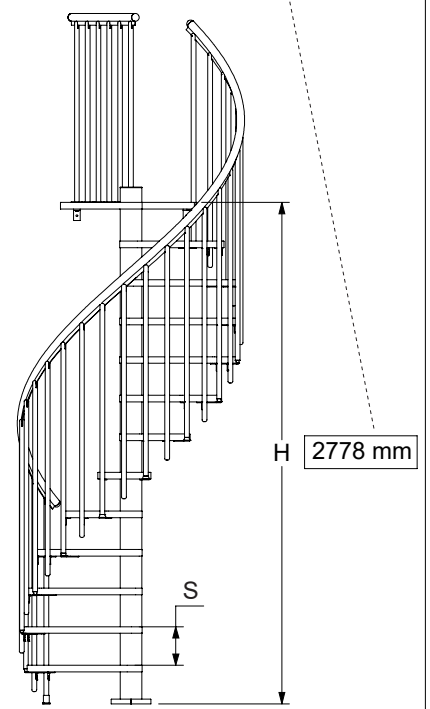
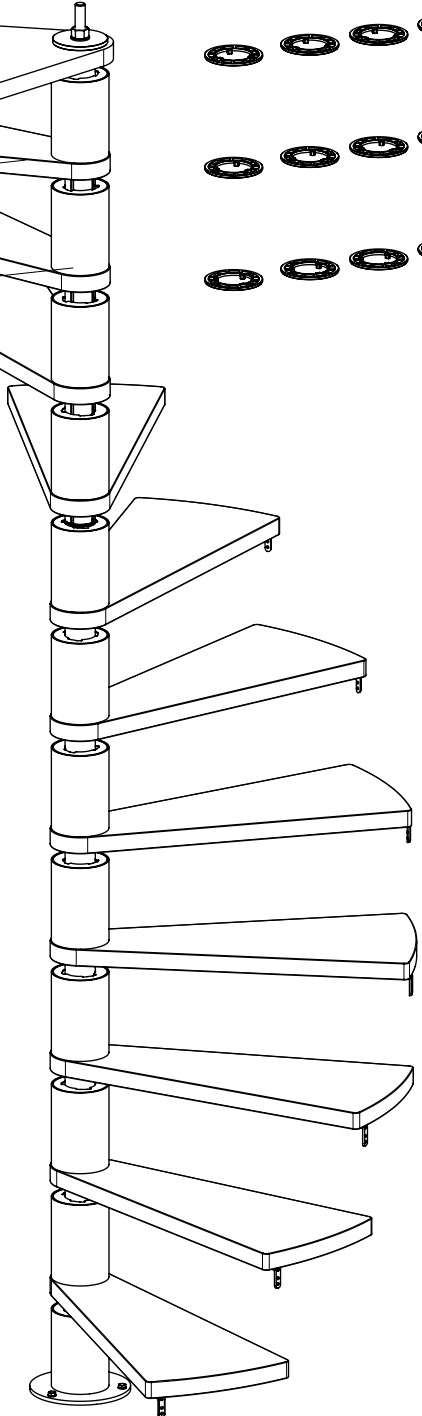
5 st (pcs) x 12
= 60 st (pcs)

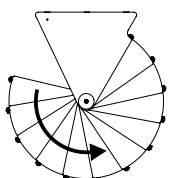
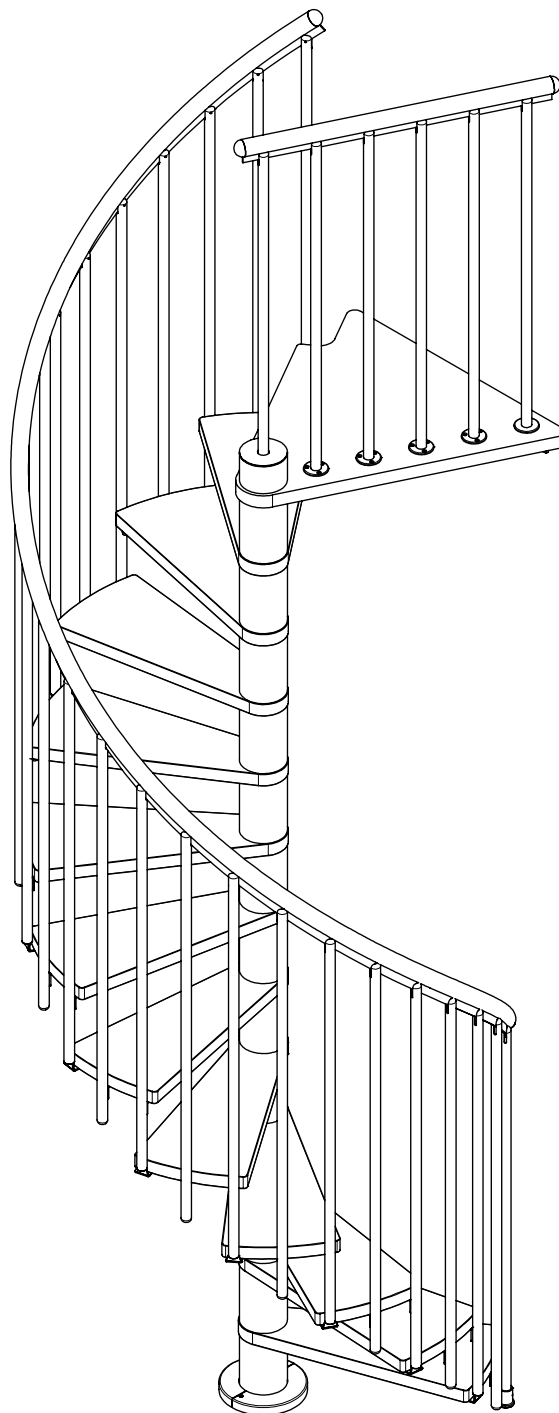
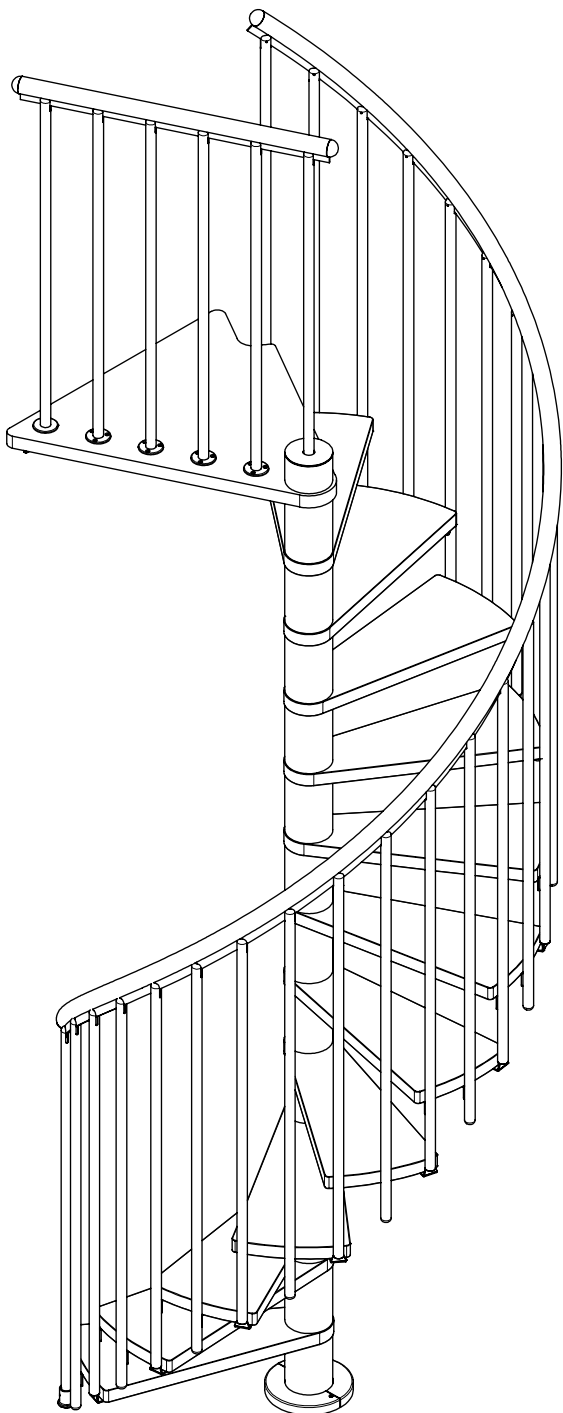
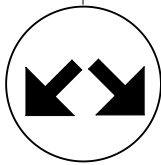
P

+6 st (pcs)

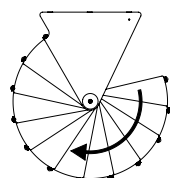
2768	5	4
2773	5	5
2778	5	6
2783	5	7
2788	5	8

2768	5	4
2773	5	5
2778	5	6
2783	5	7
2788	5	8

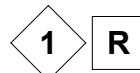




Left
Links
Gauche

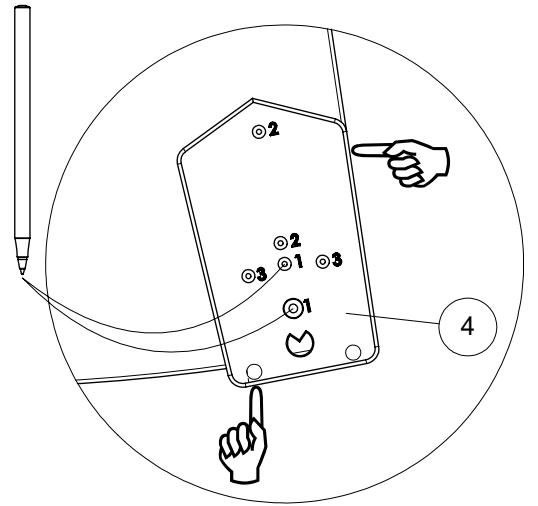
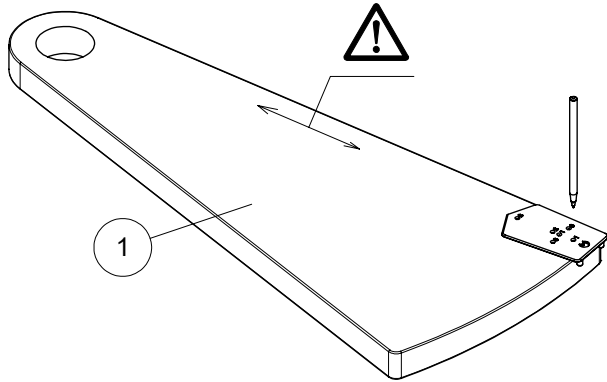


Right
Recht
Droite

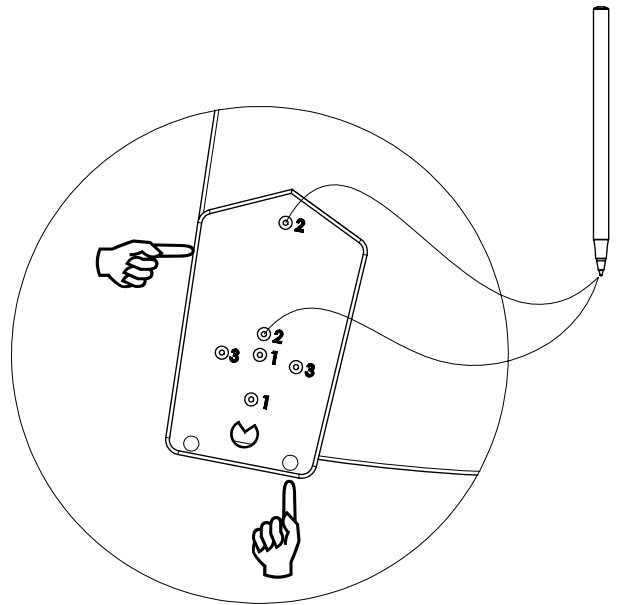
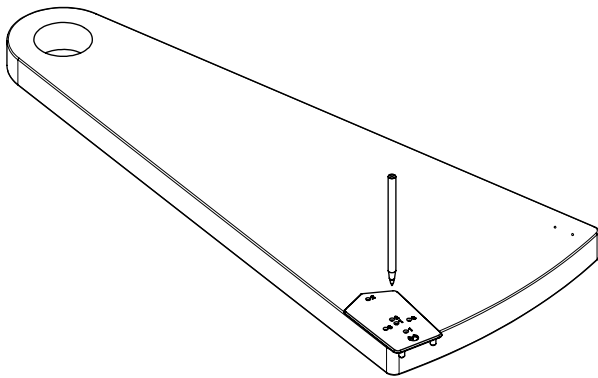


1 L

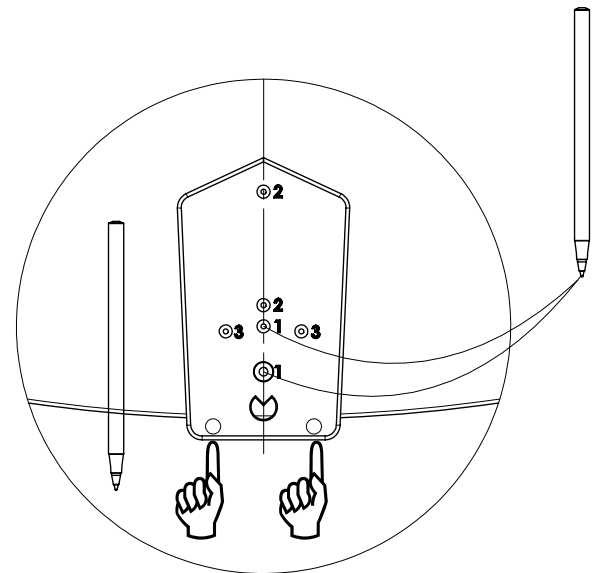
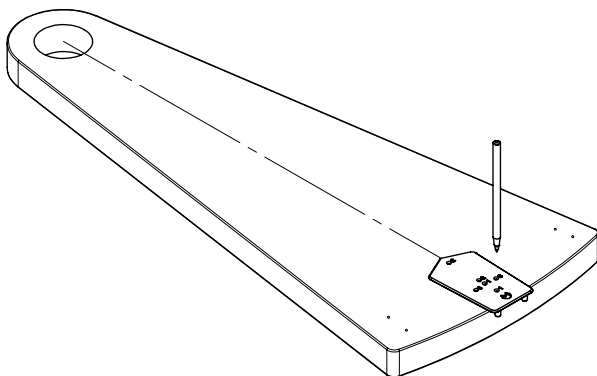
I



II

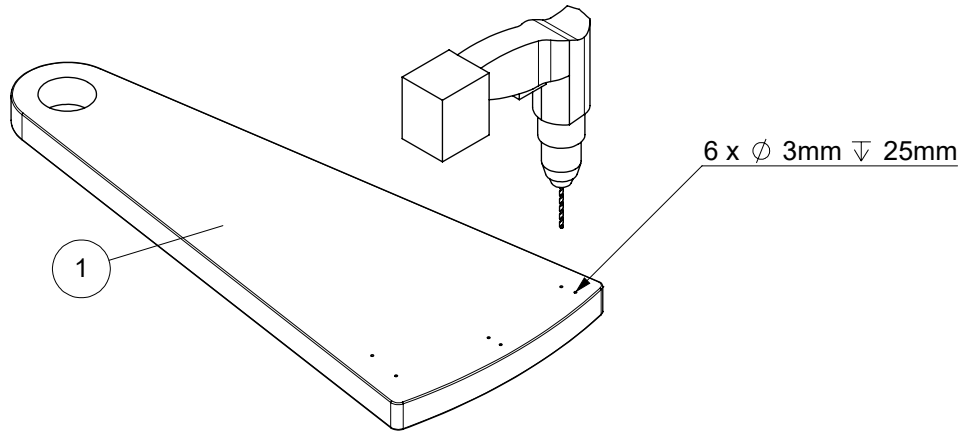


II



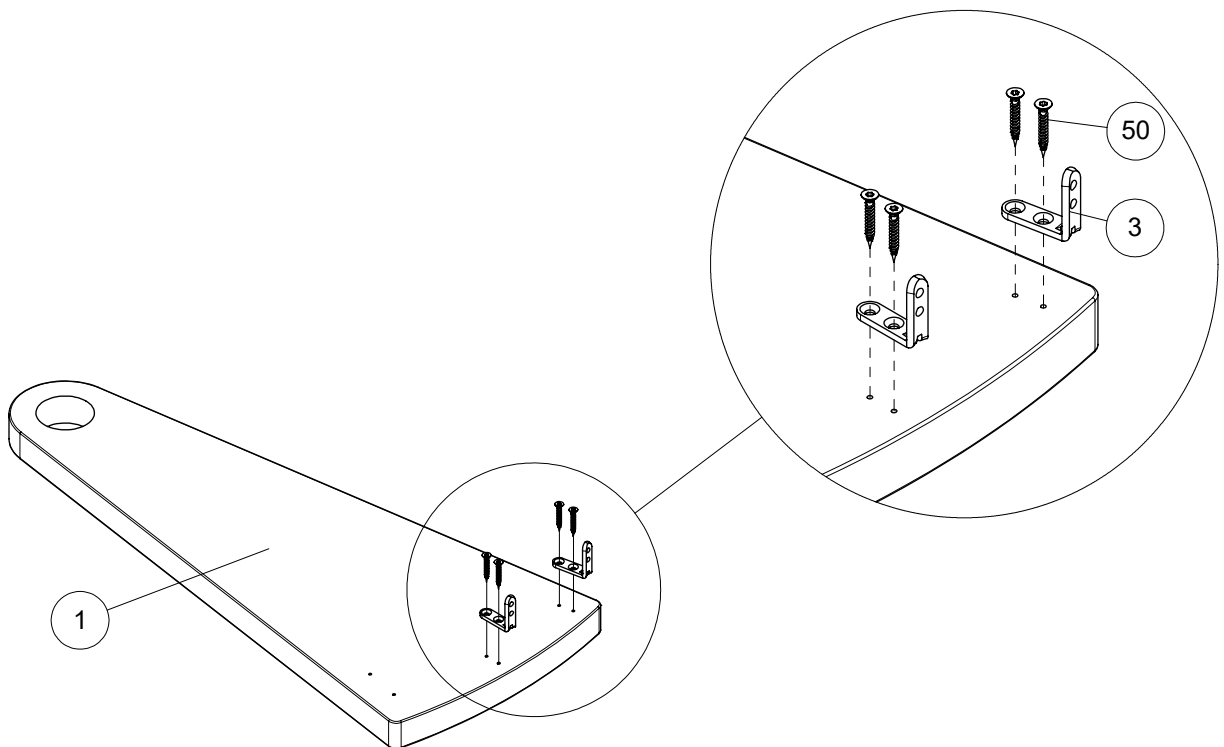
2

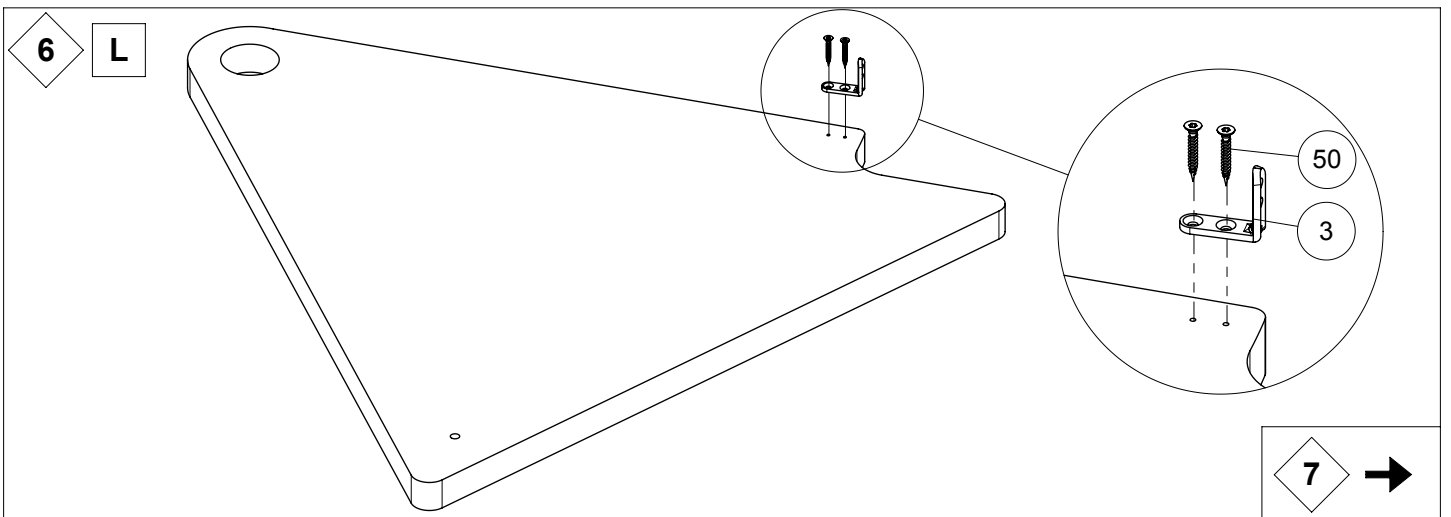
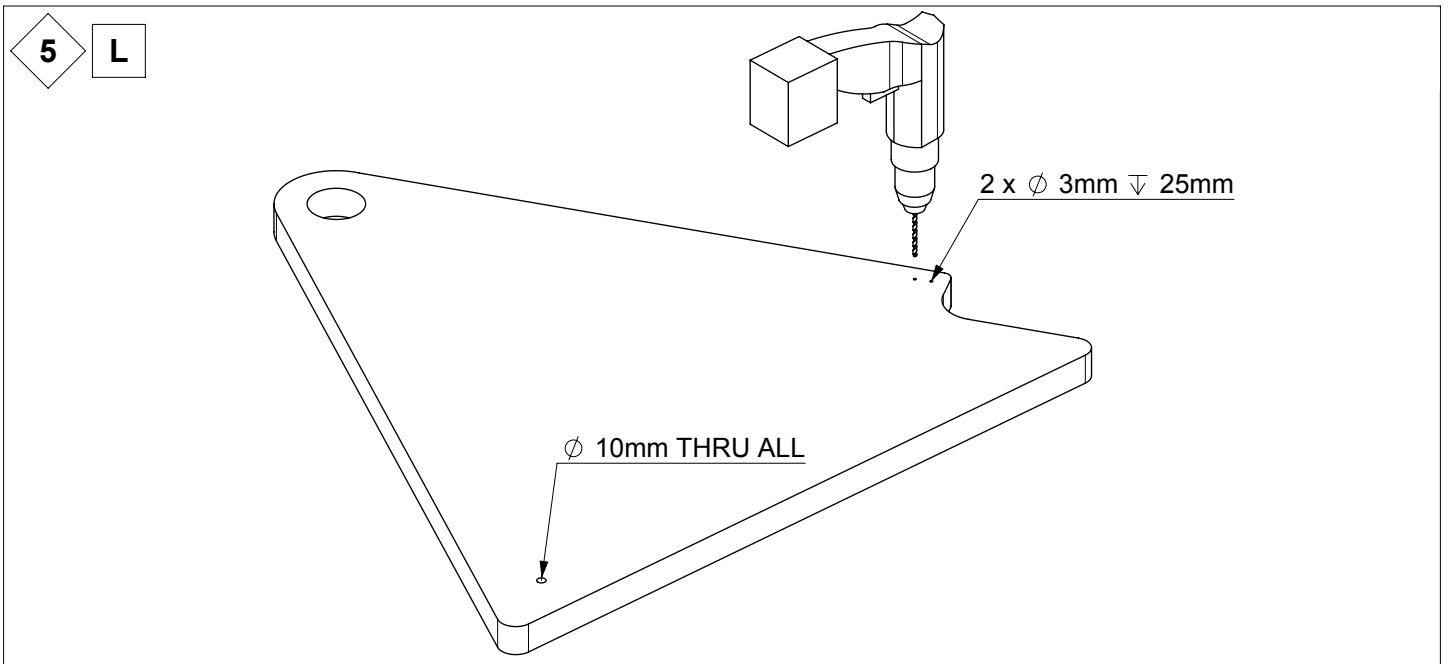
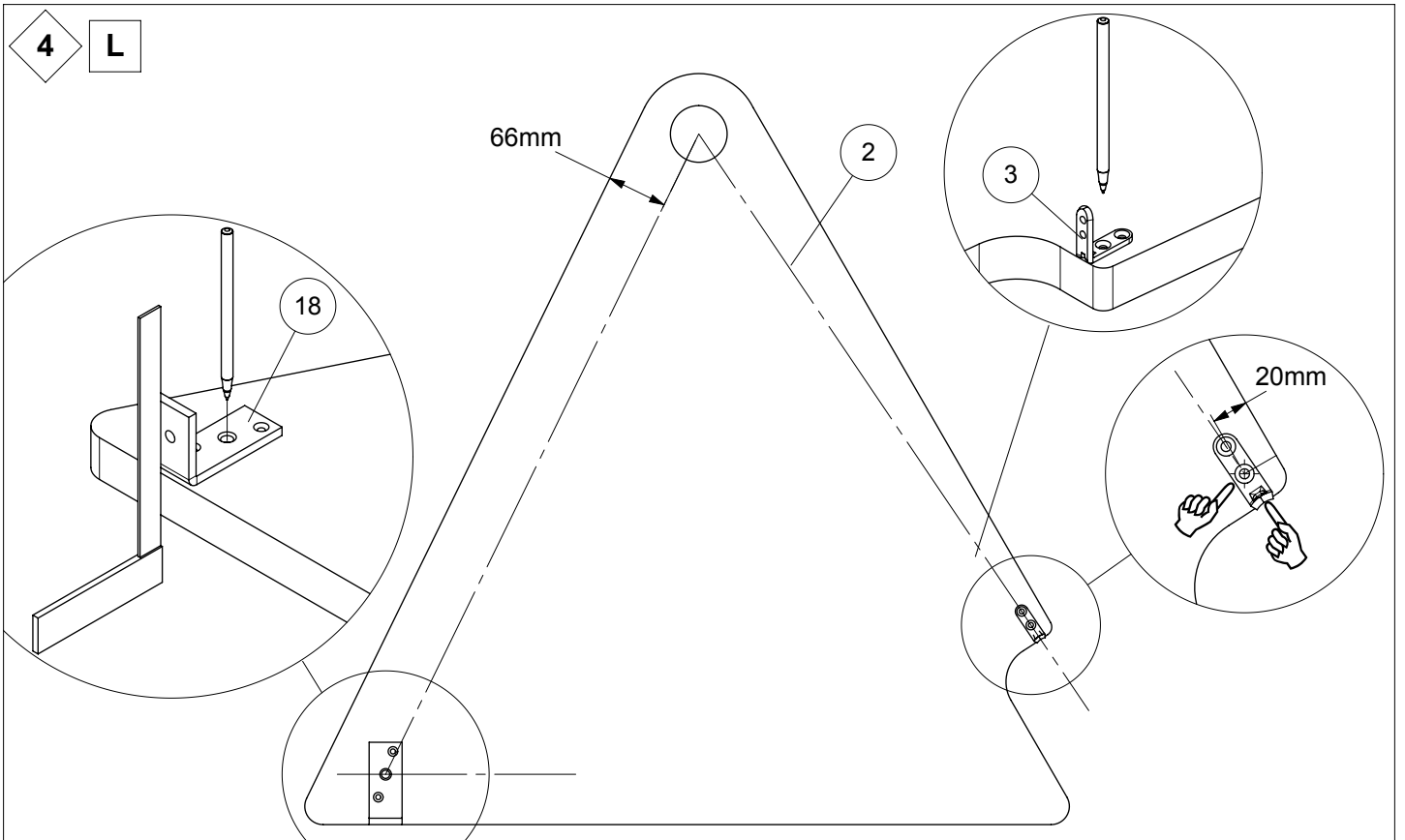
L



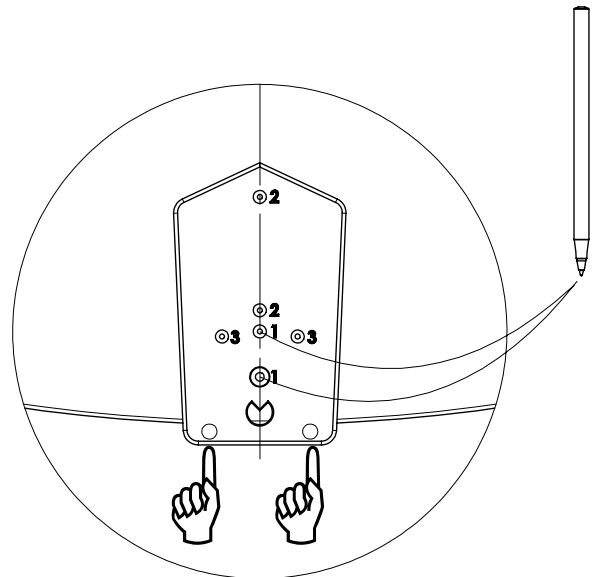
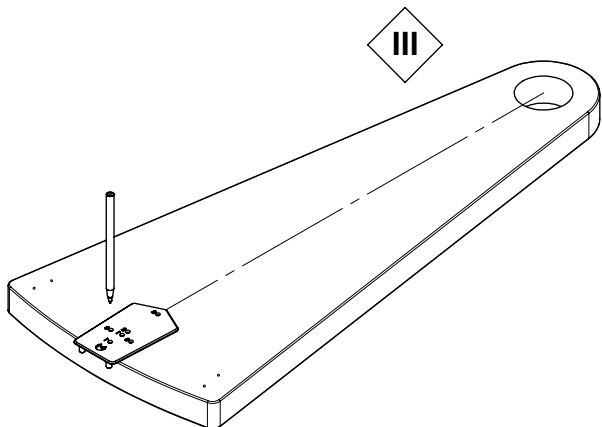
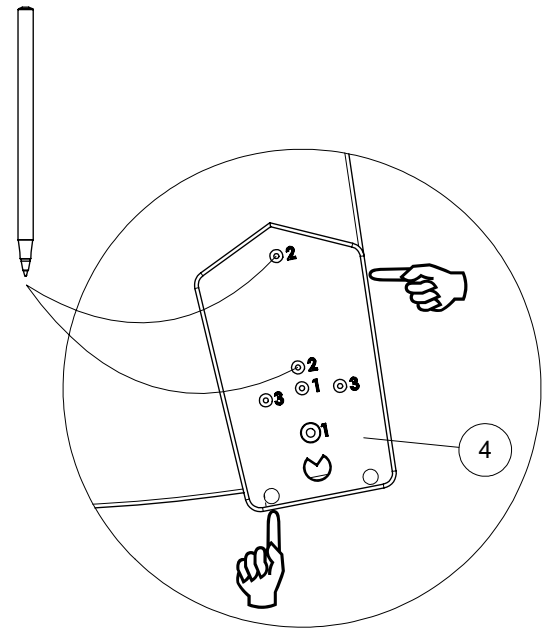
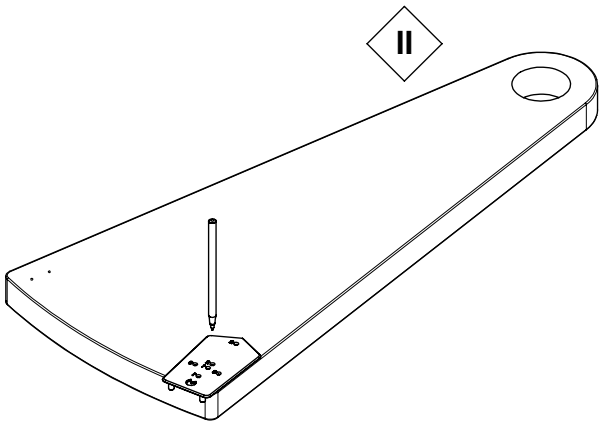
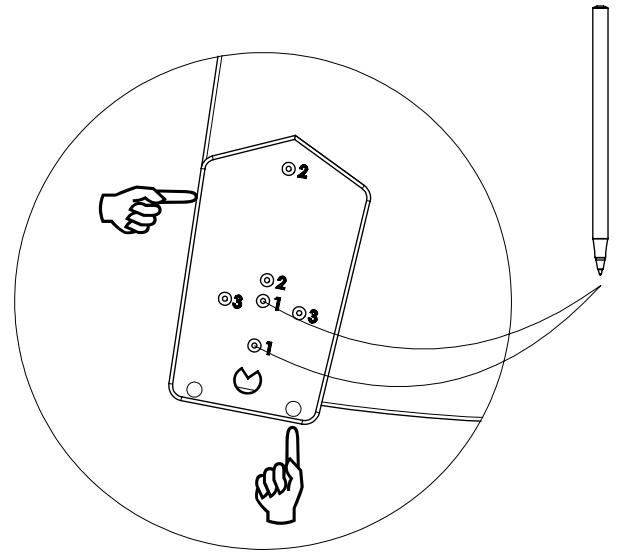
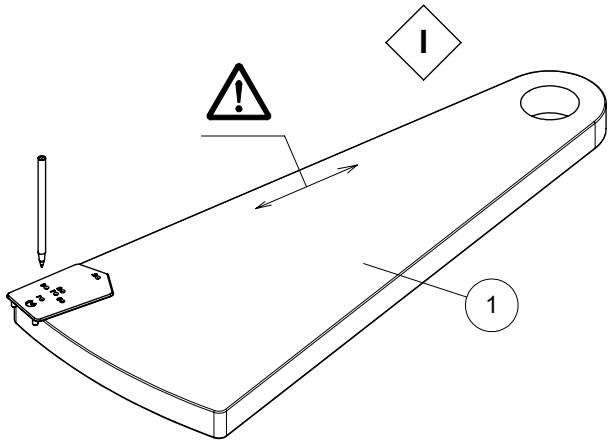
3

L





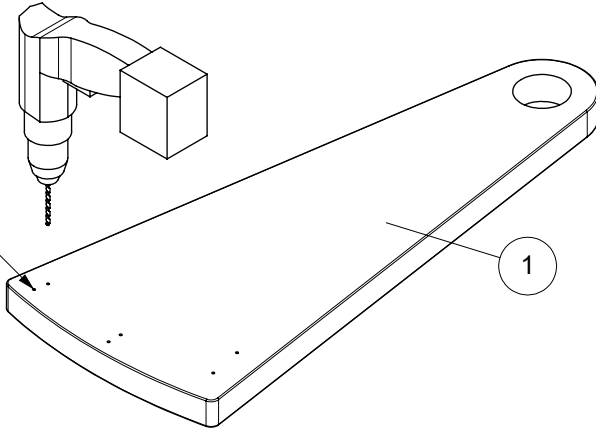
1 R



2

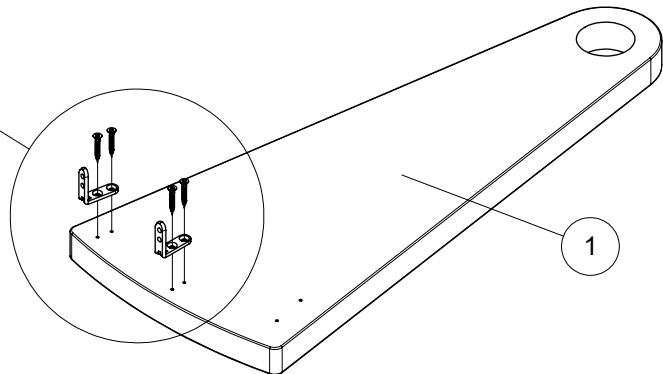
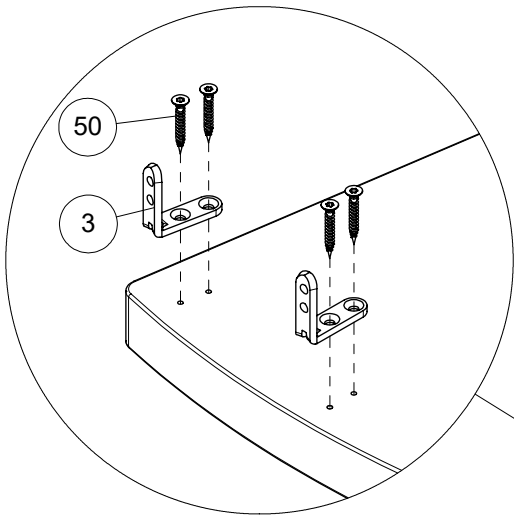
R

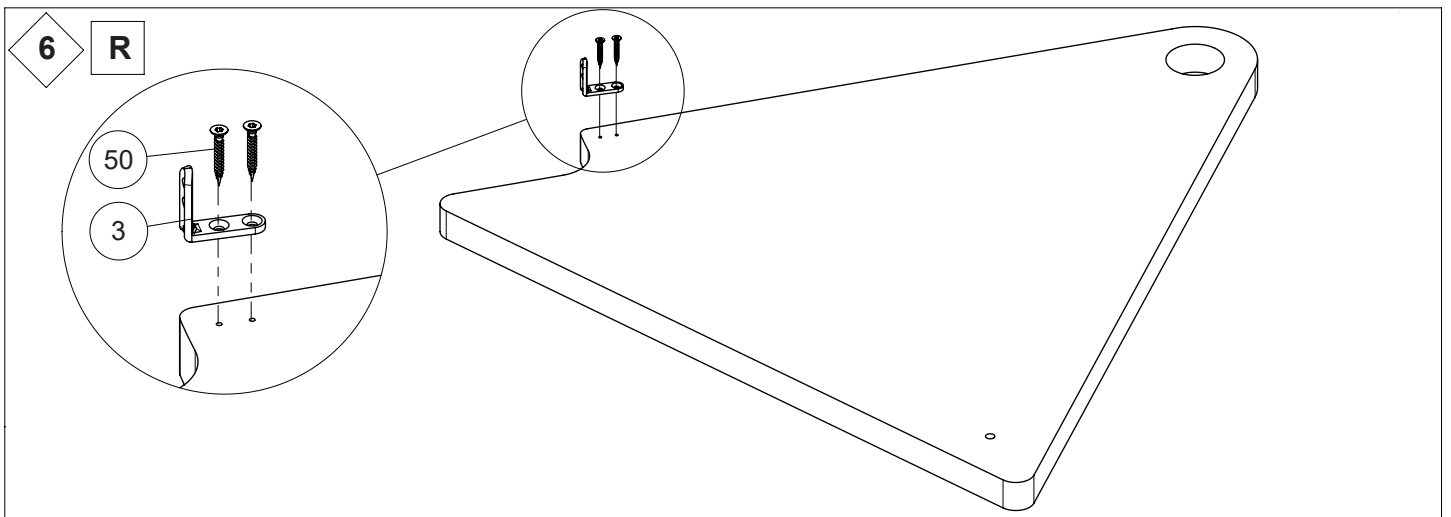
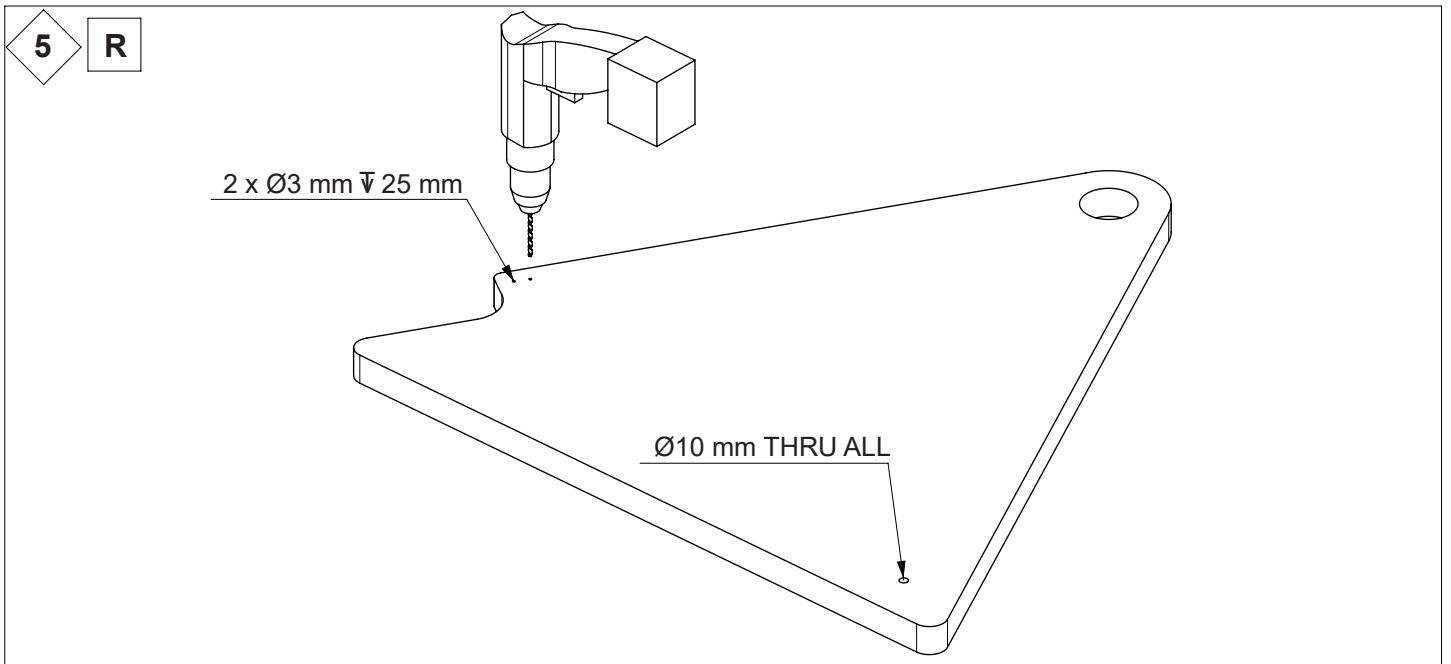
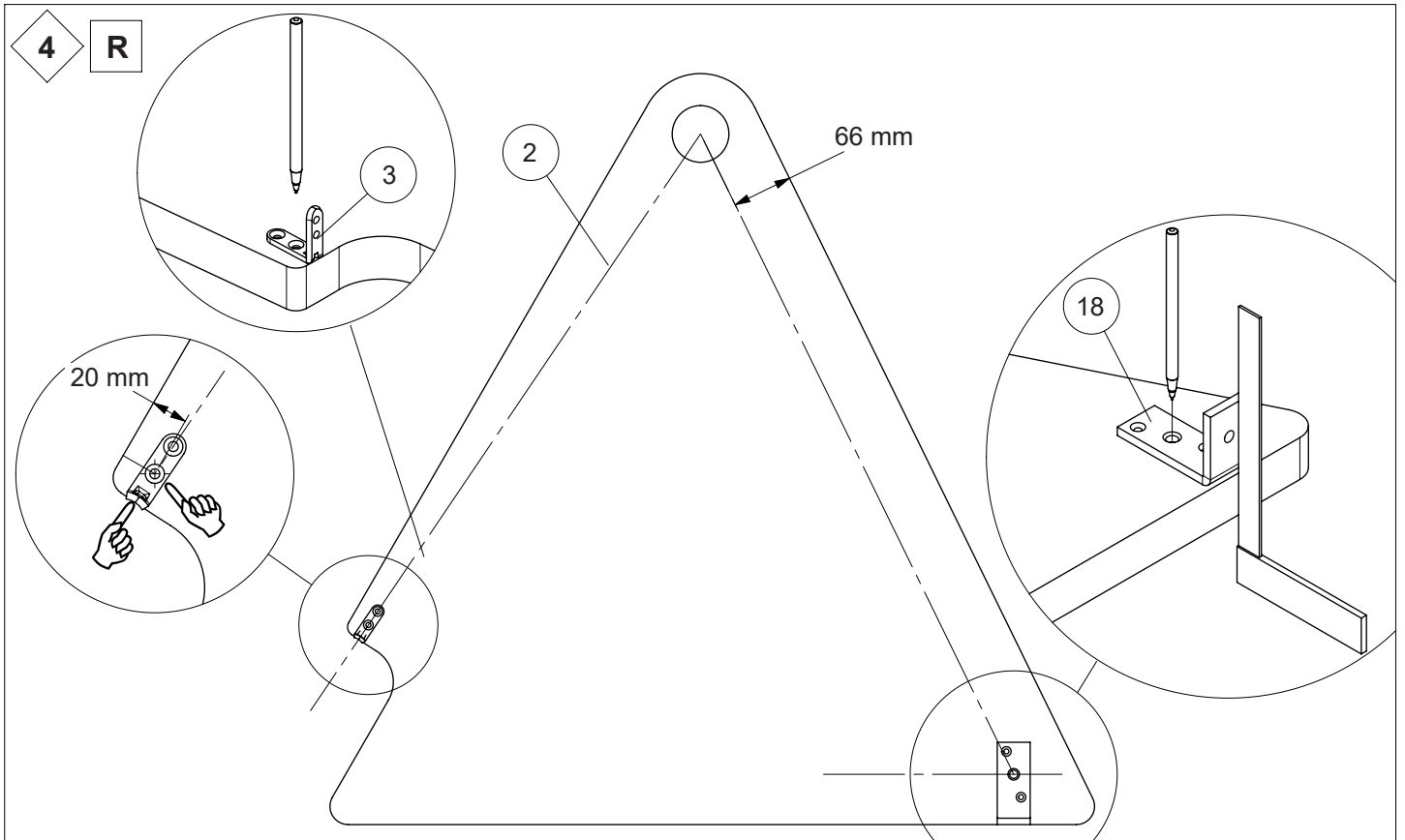
6 x \varnothing 3mm ∇ 25mm

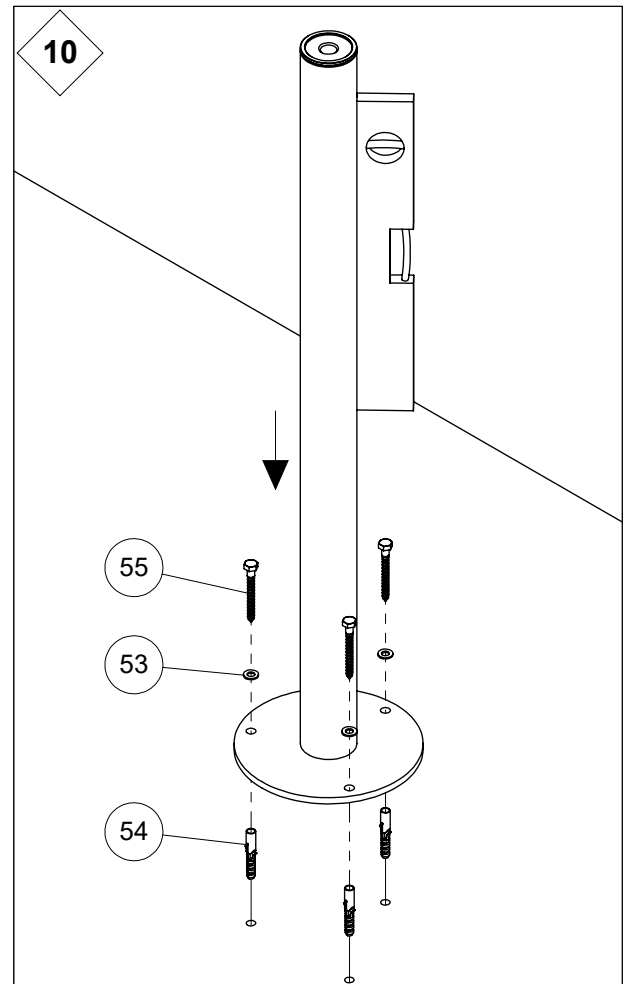
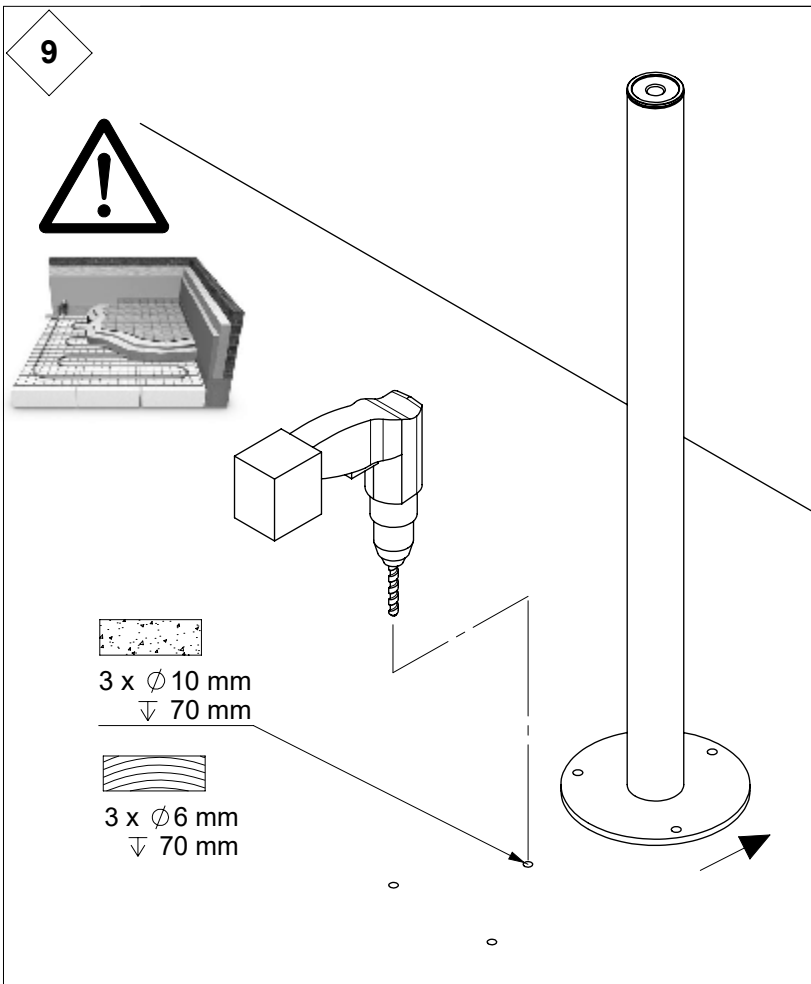
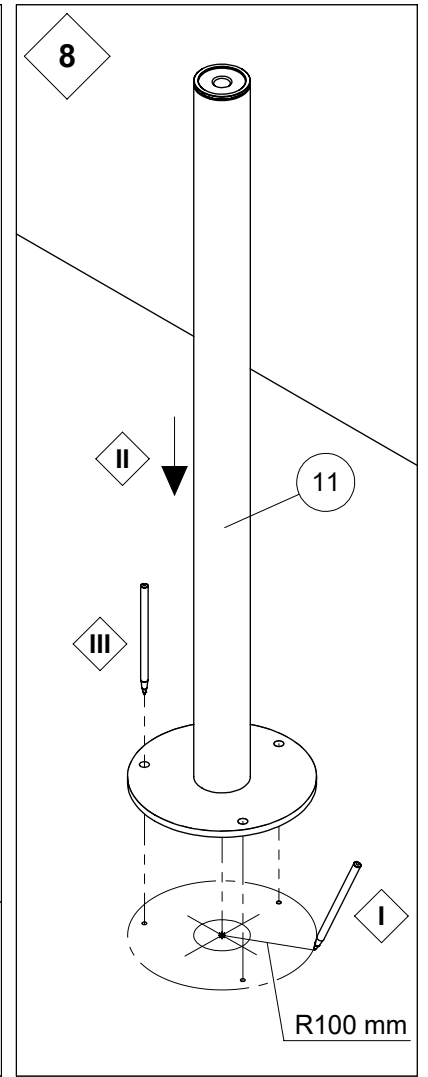
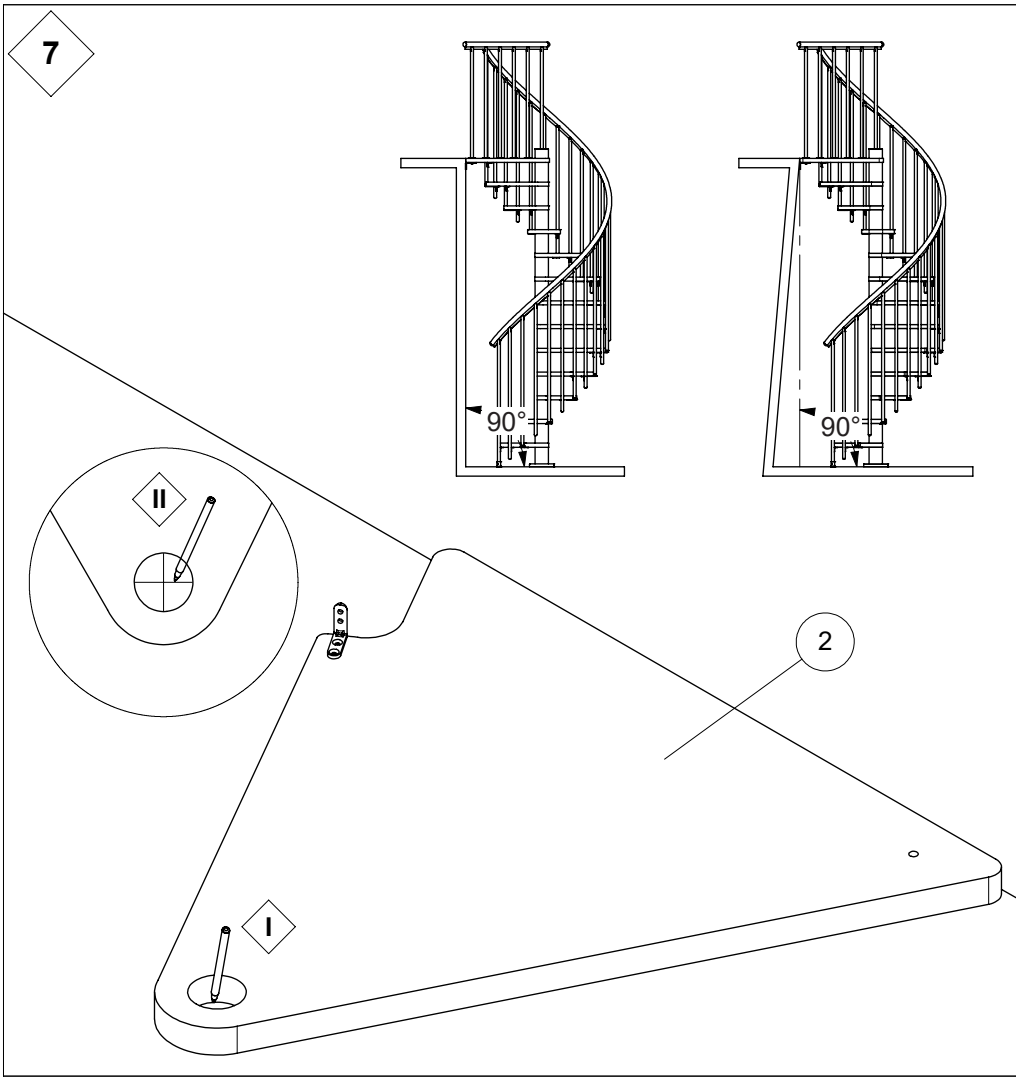


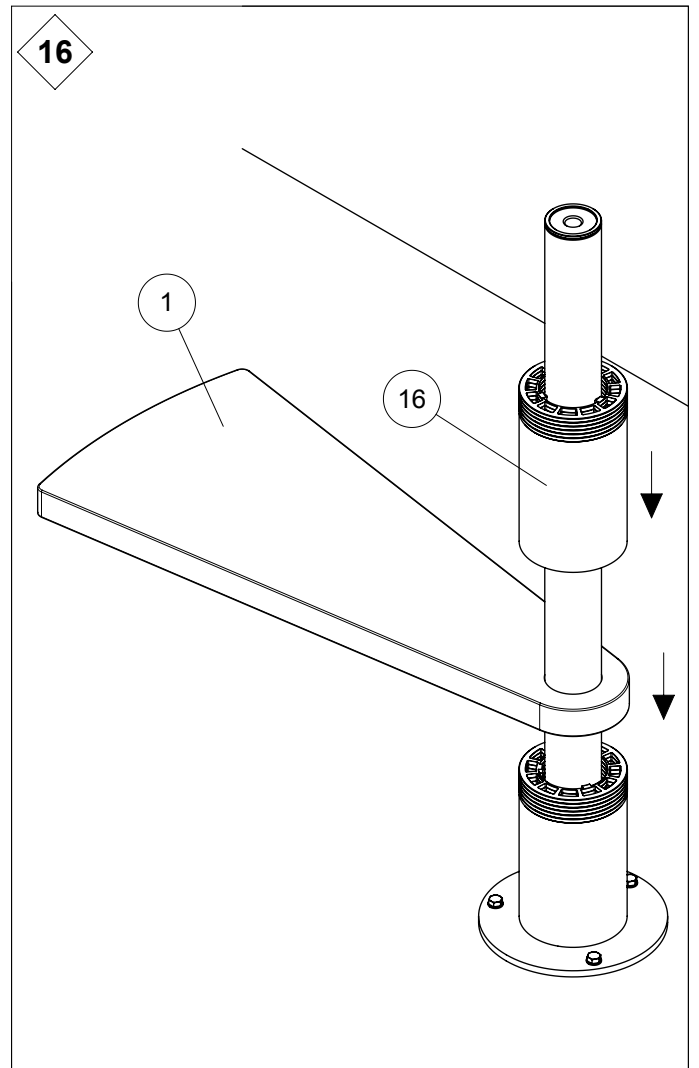
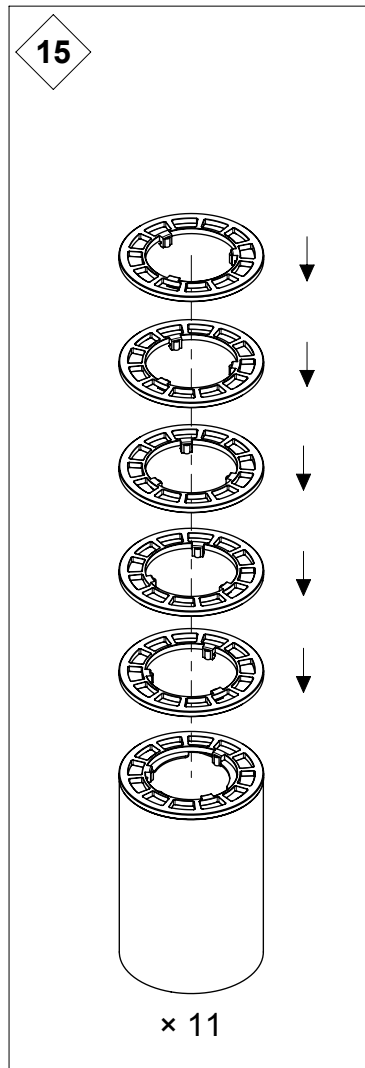
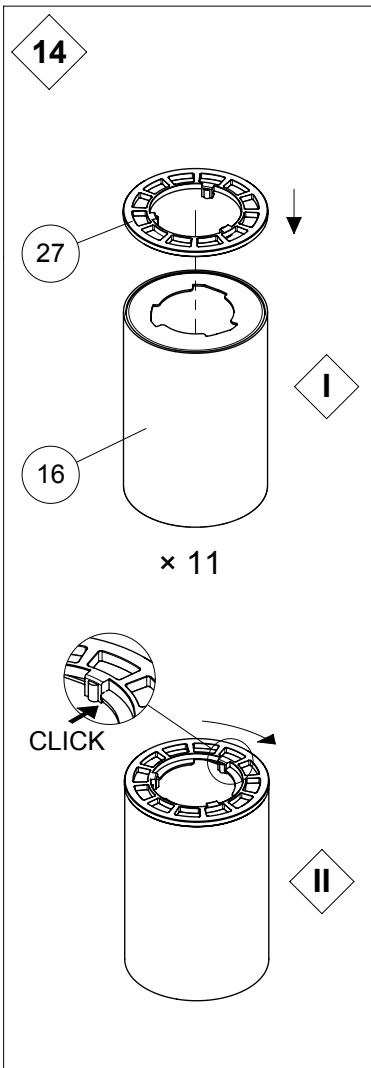
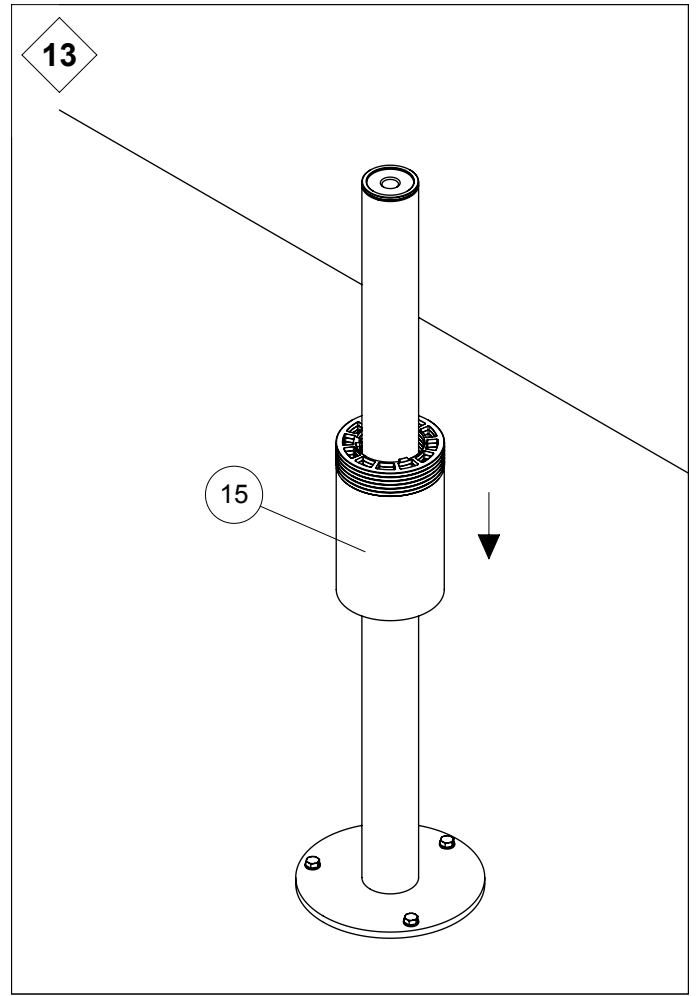
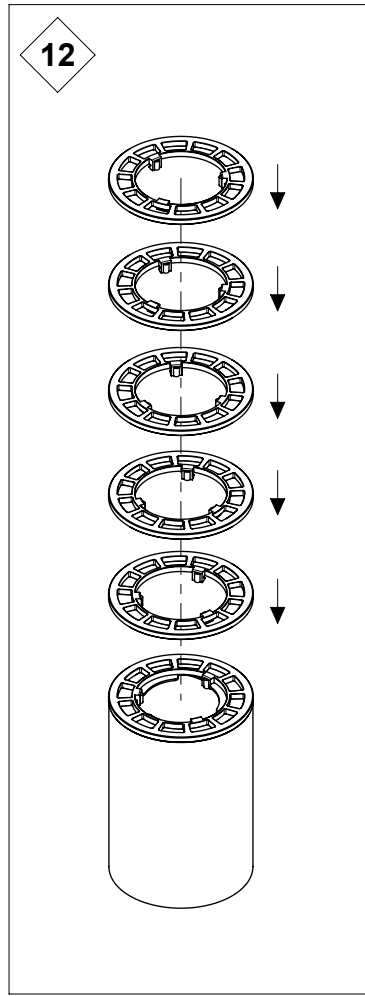
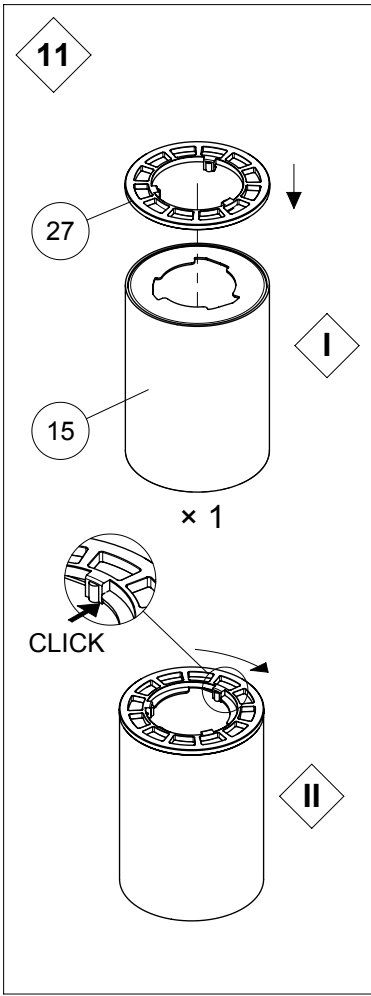
3

R

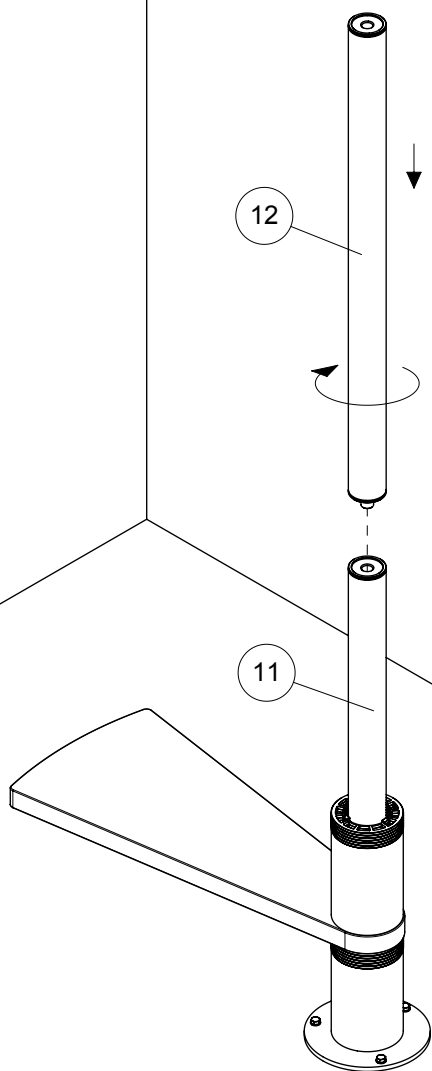




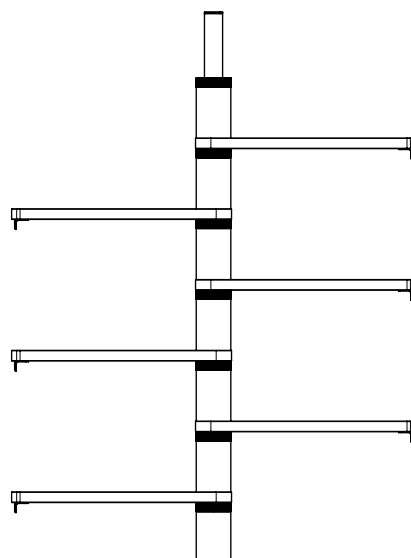
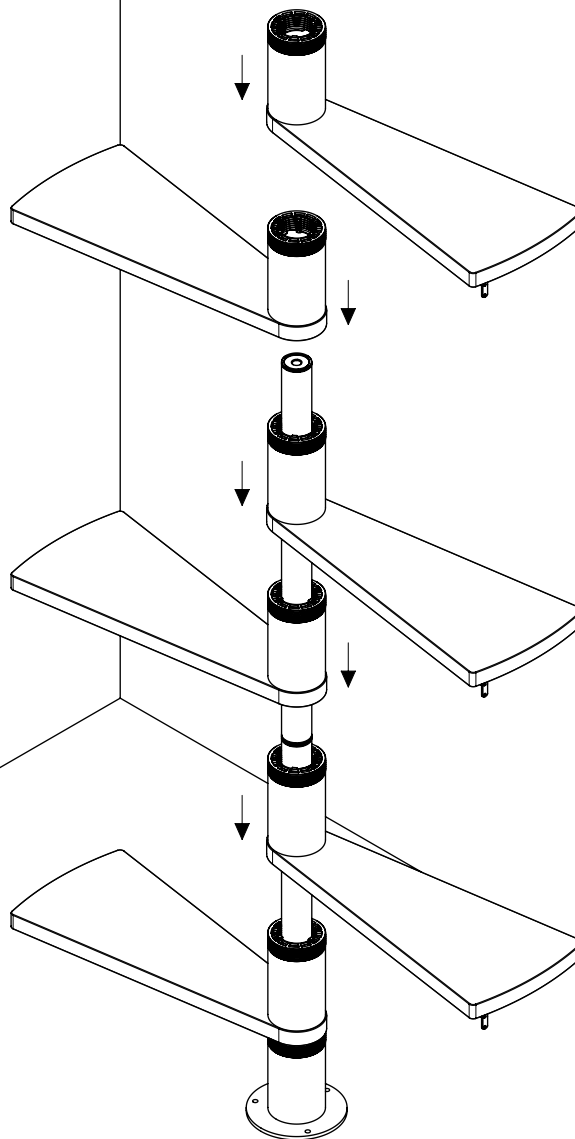


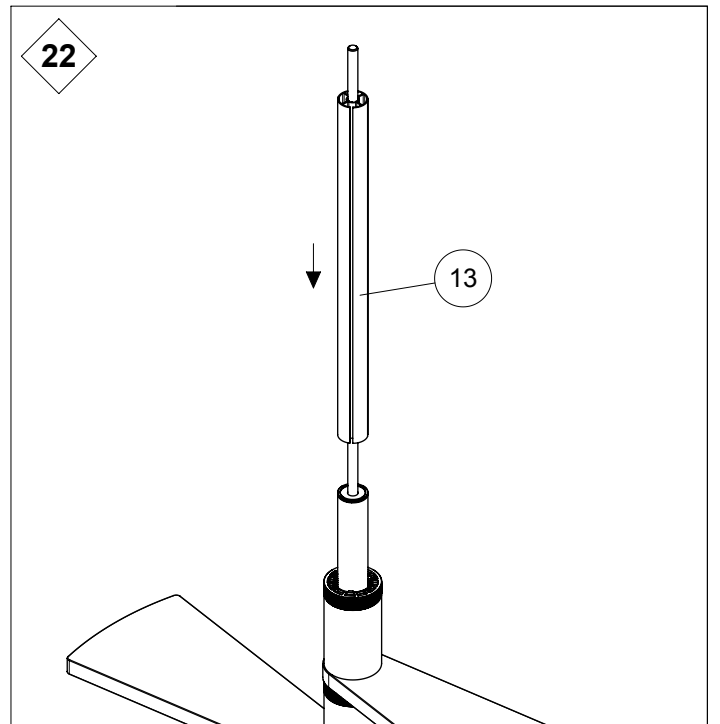
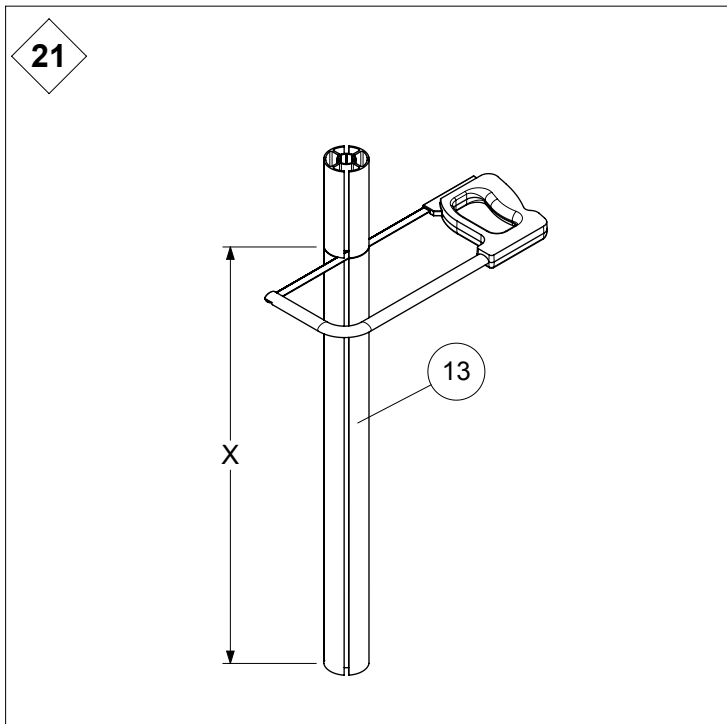
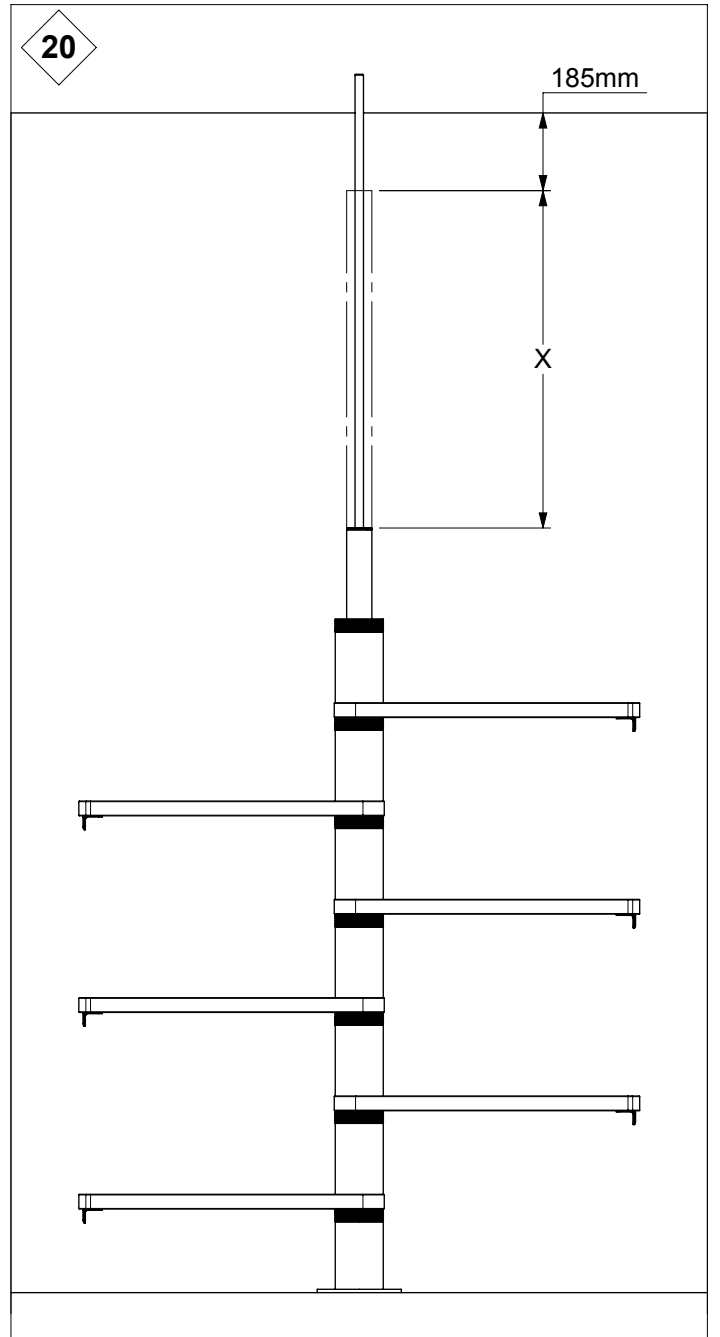
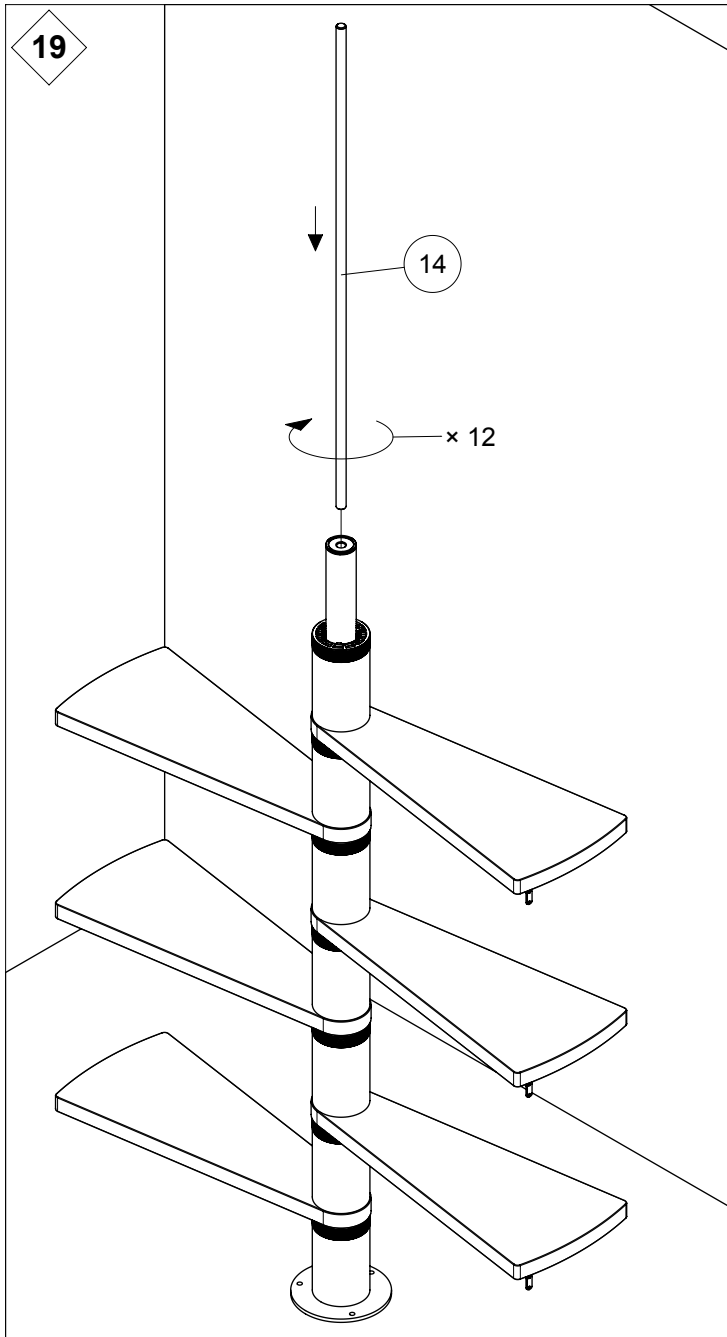


17

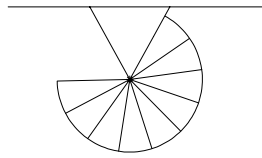
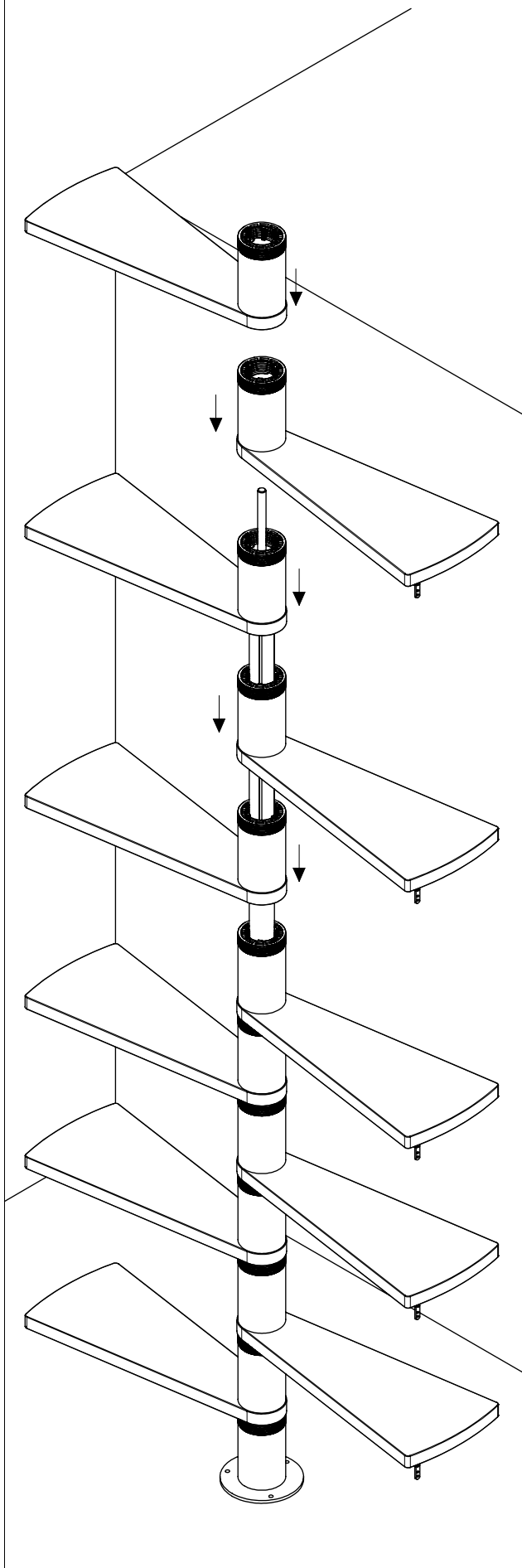


18

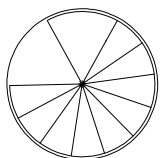
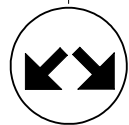




23

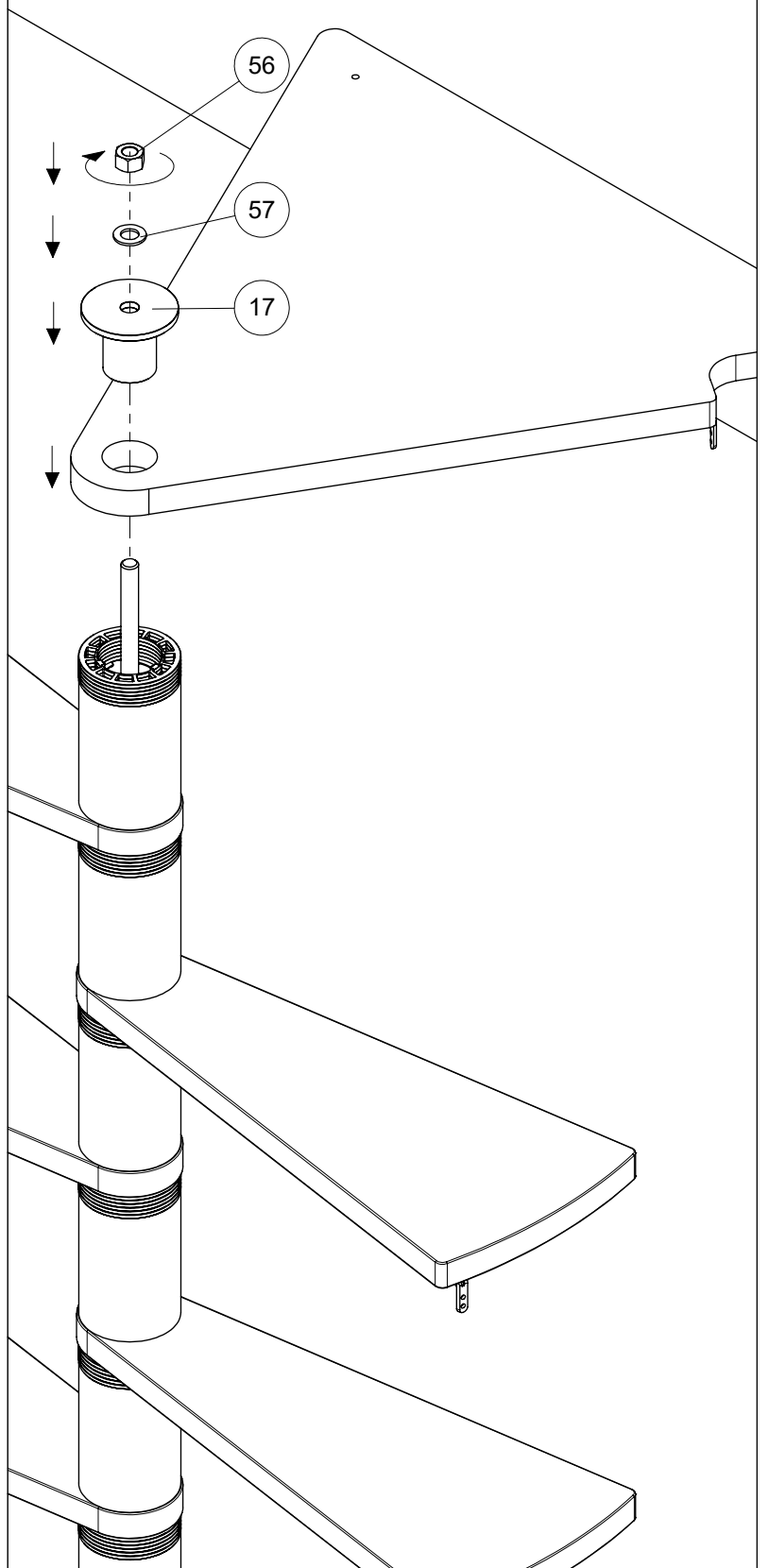


24 - 28

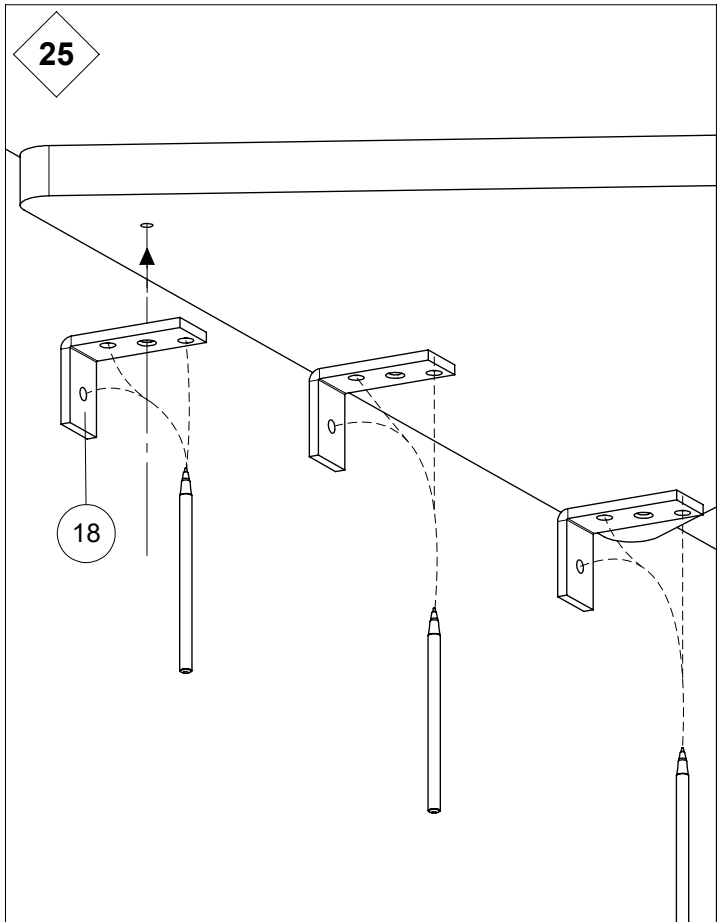


29 - 37

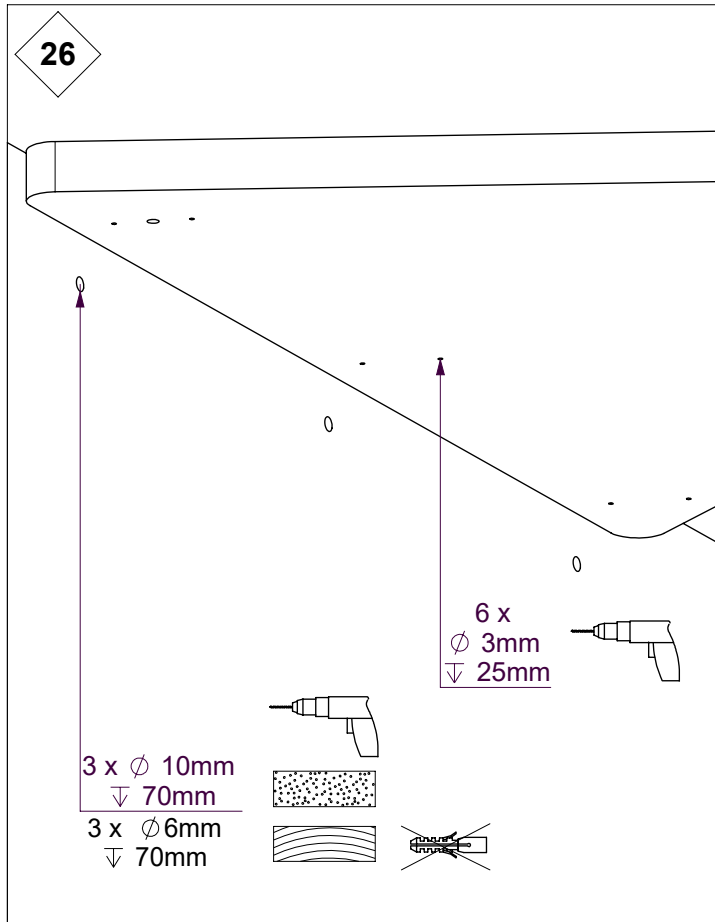
24



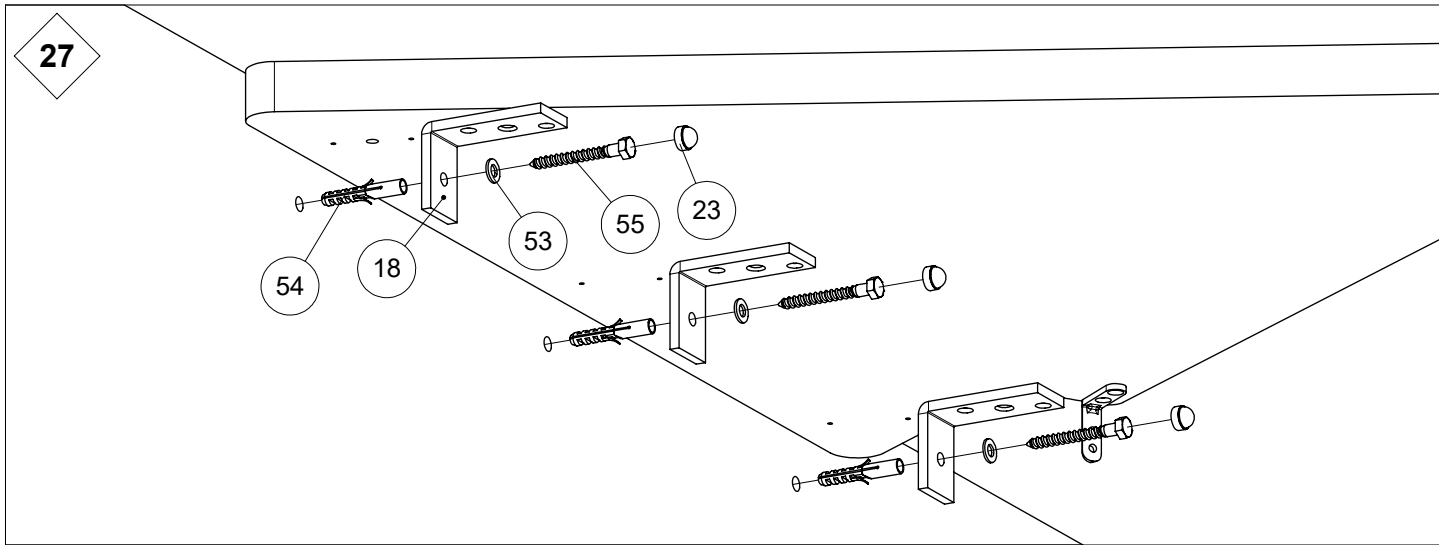
25



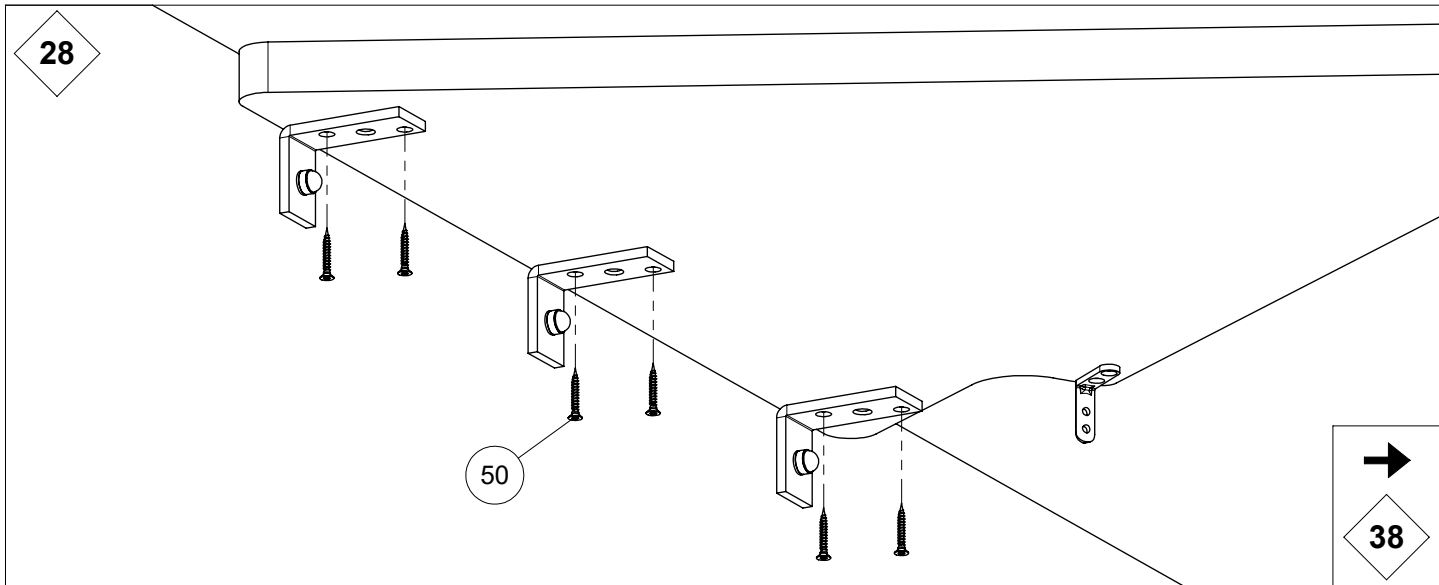
26



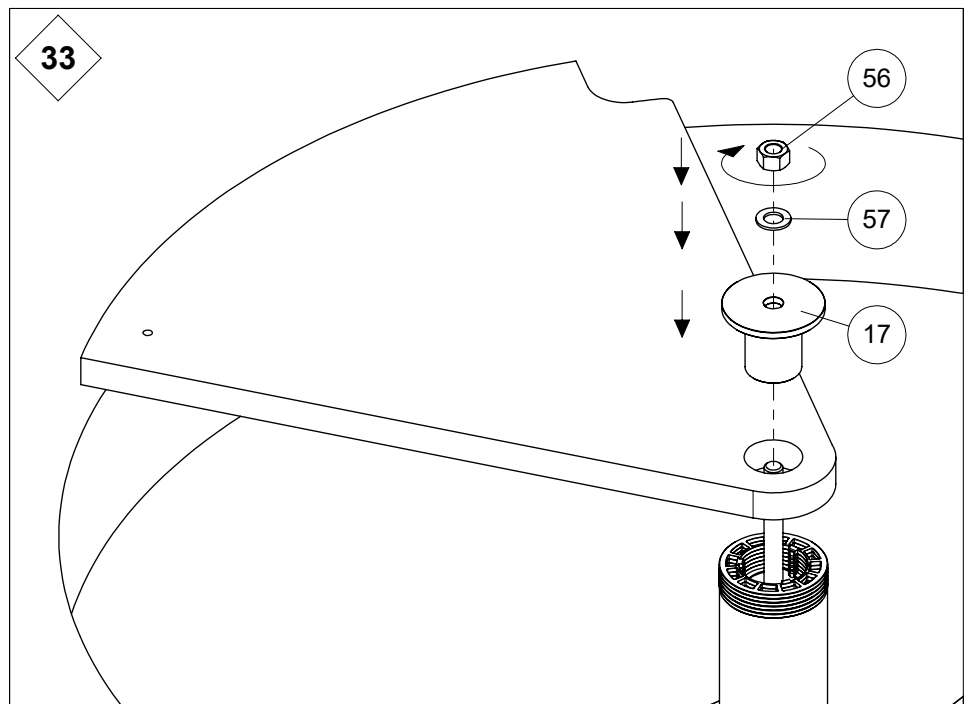
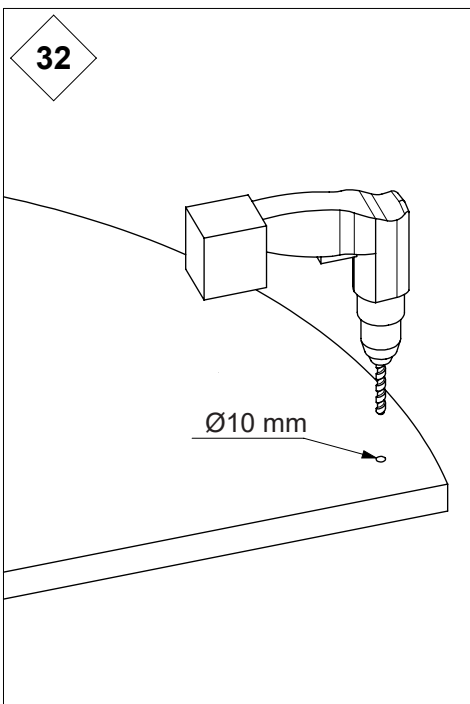
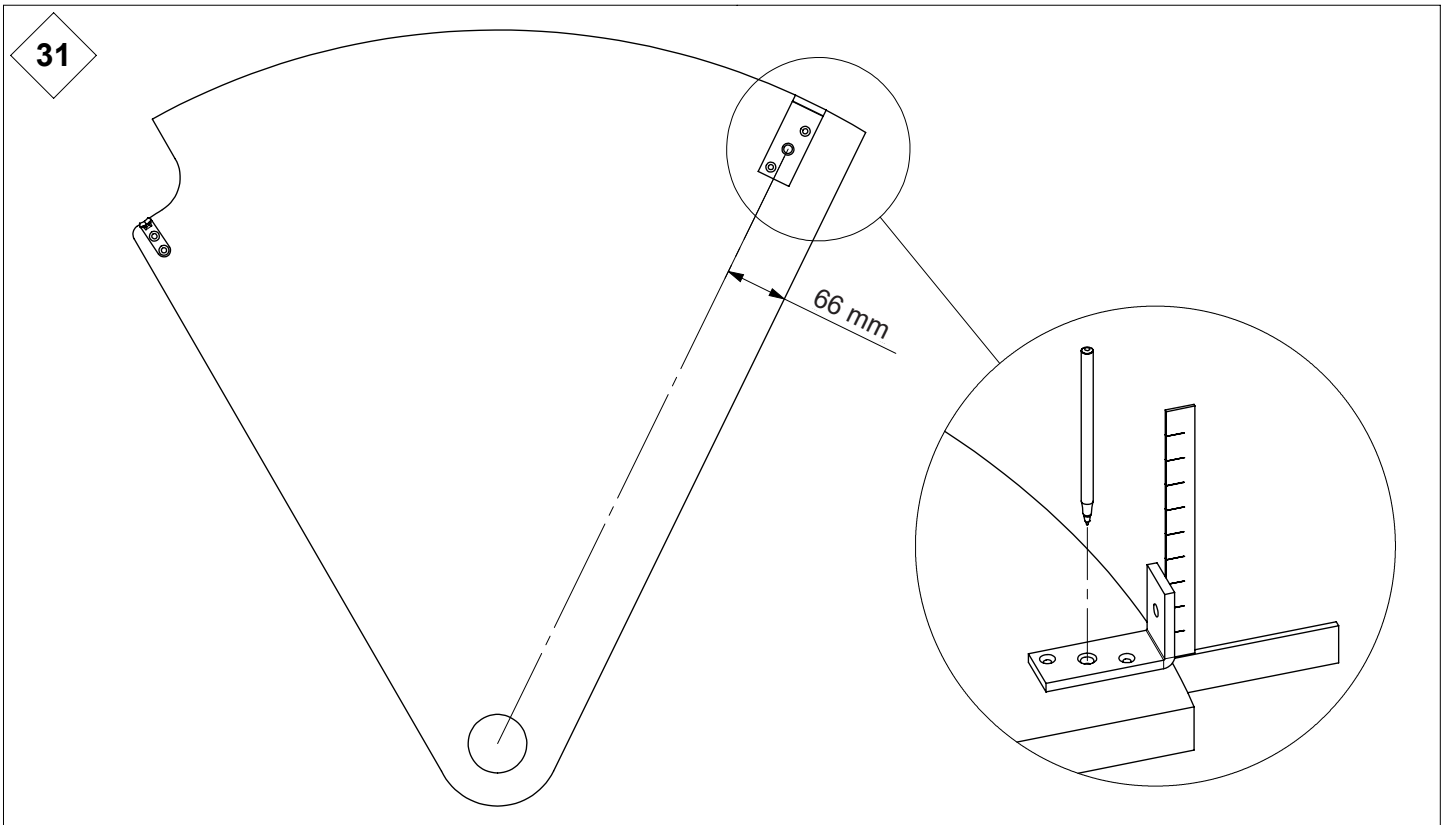
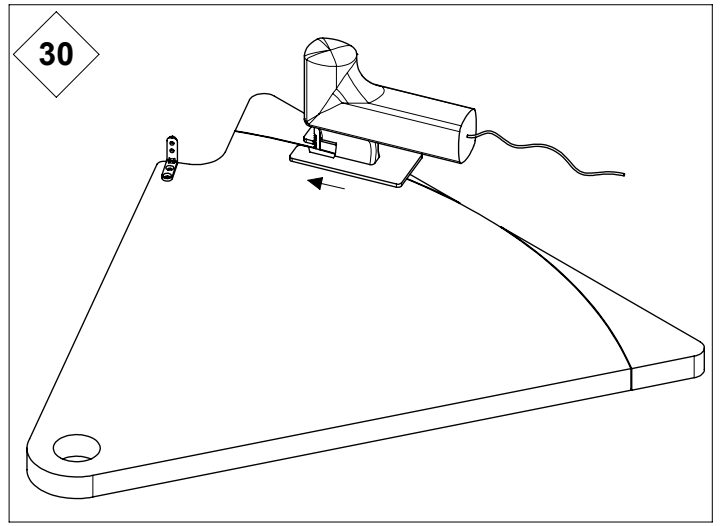
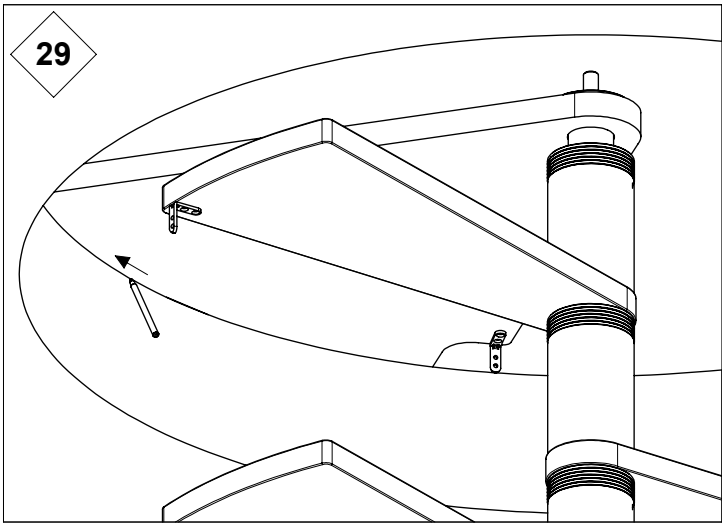
27

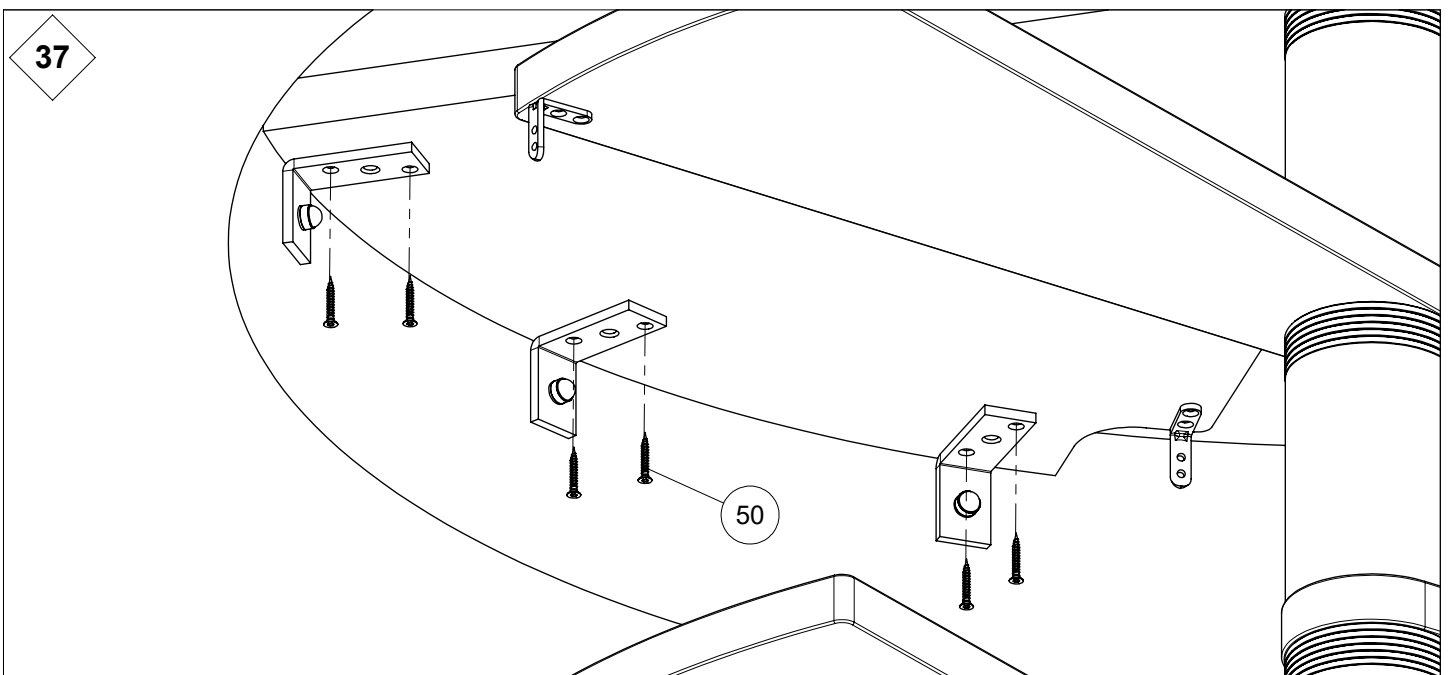
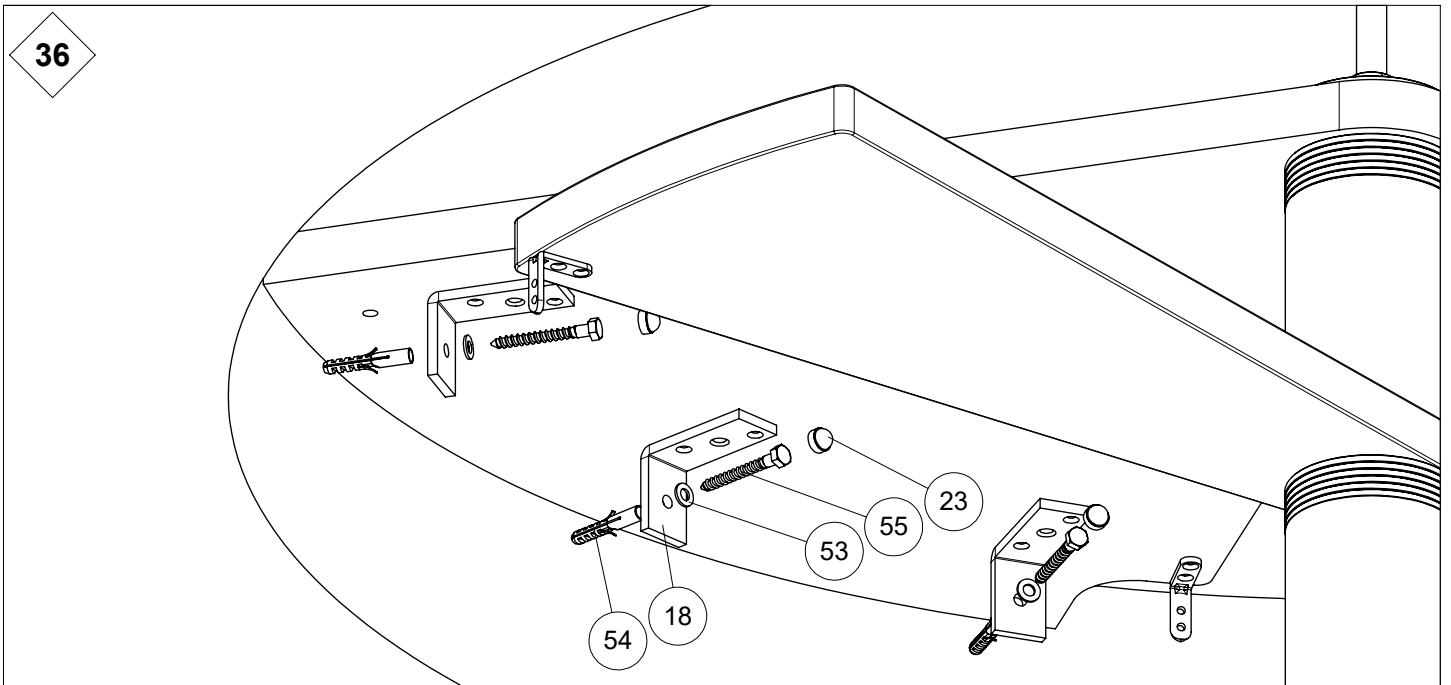
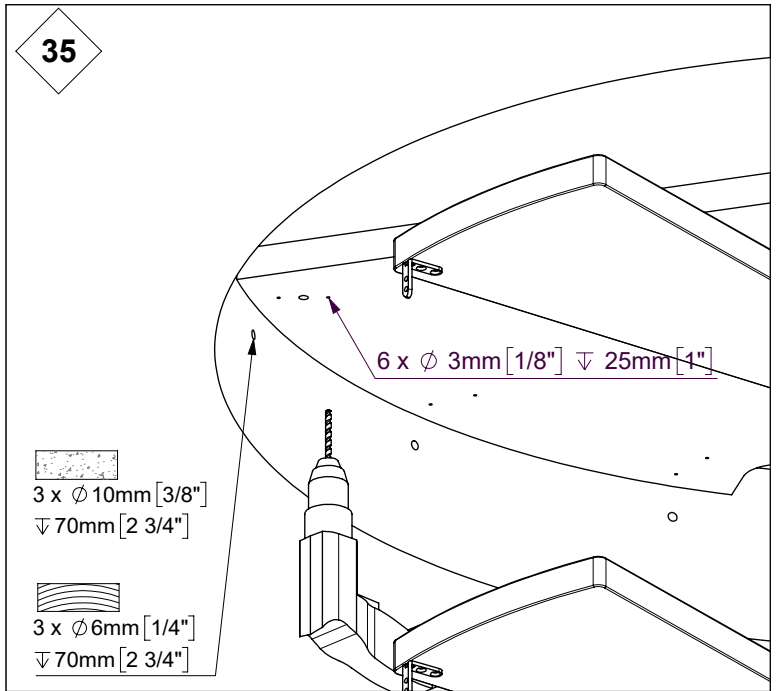
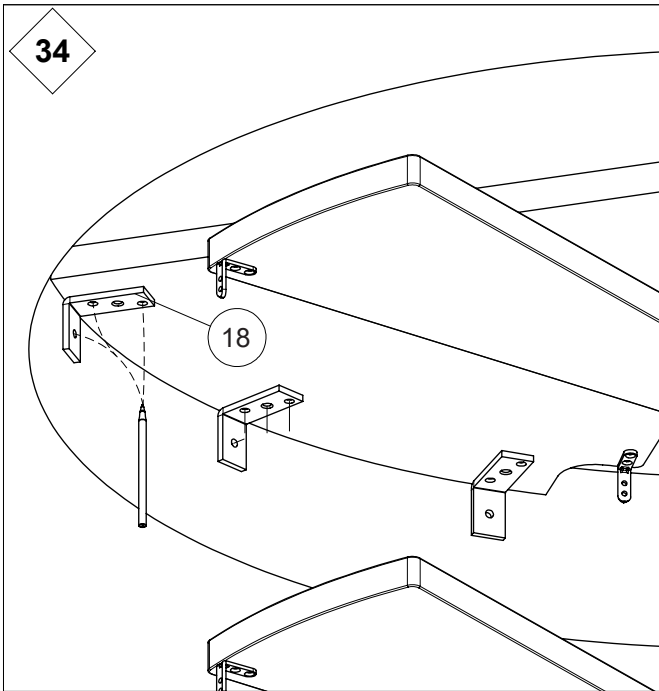


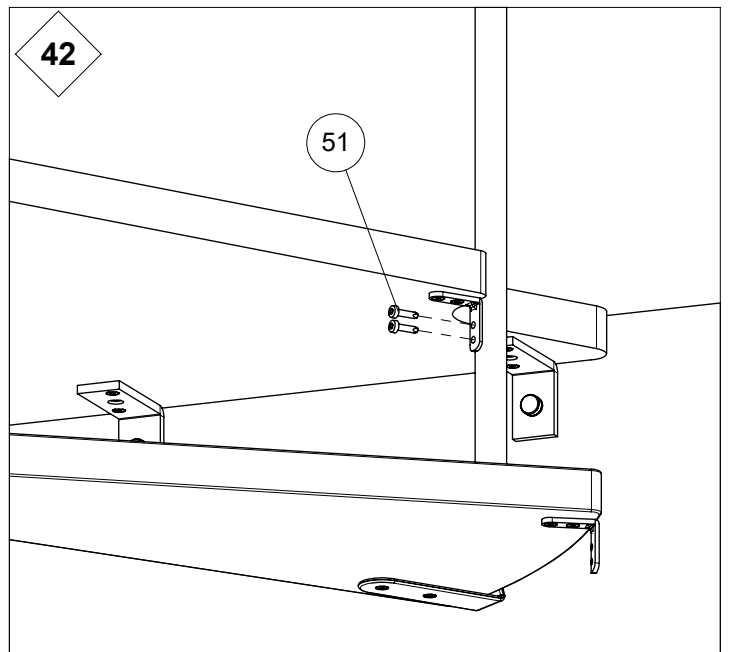
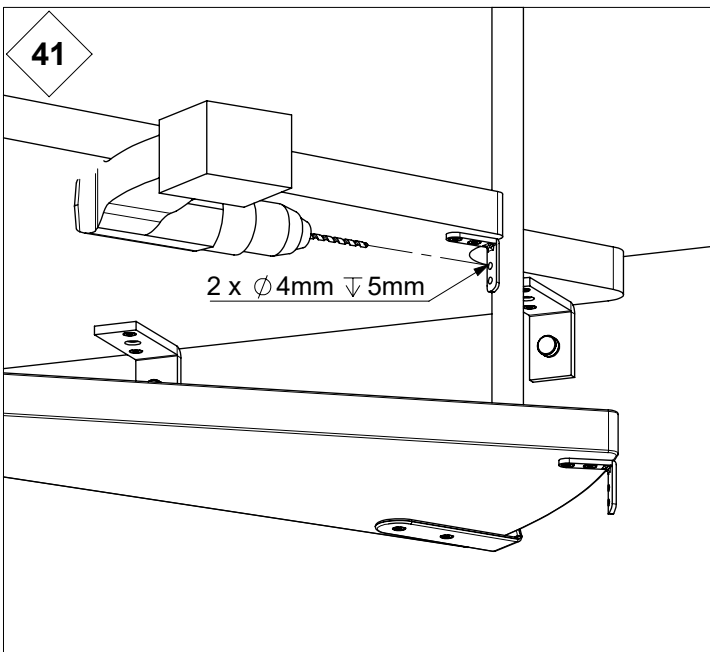
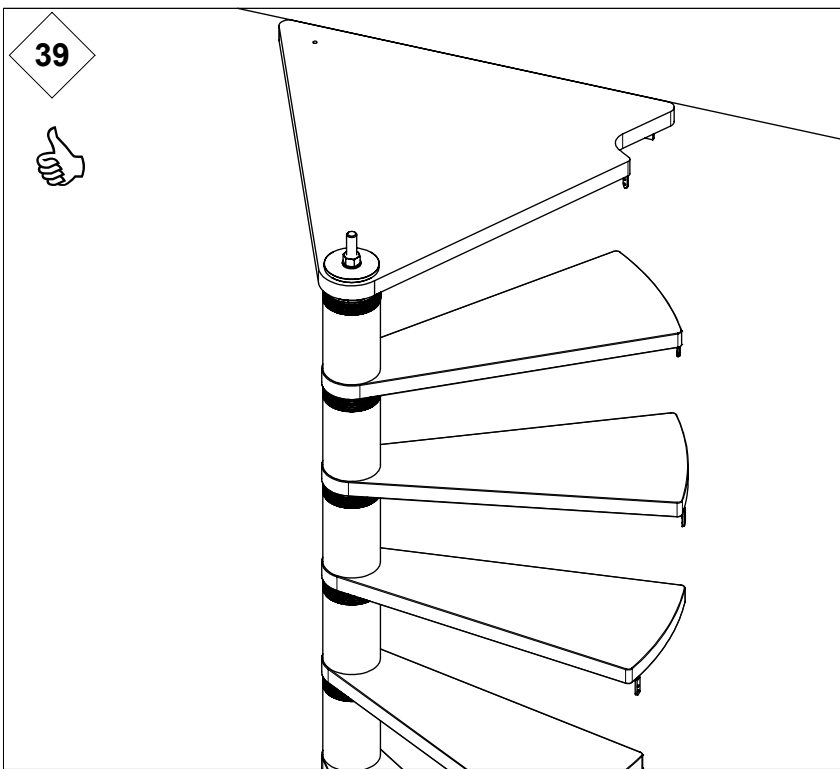
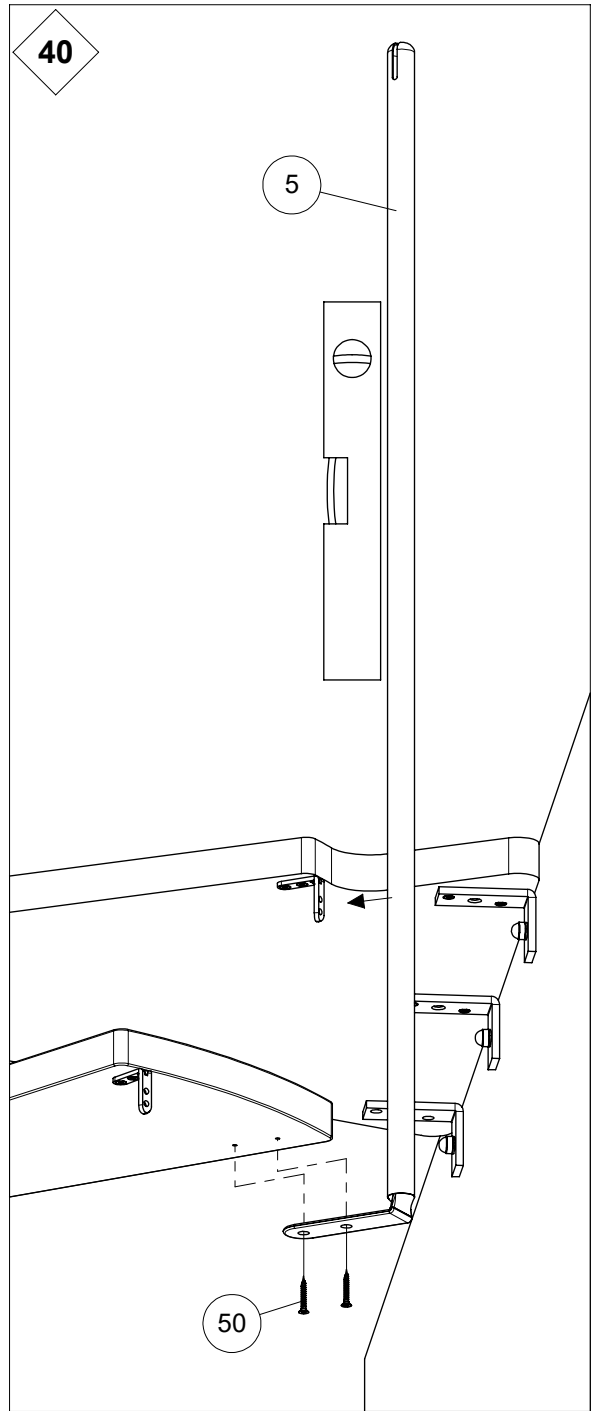
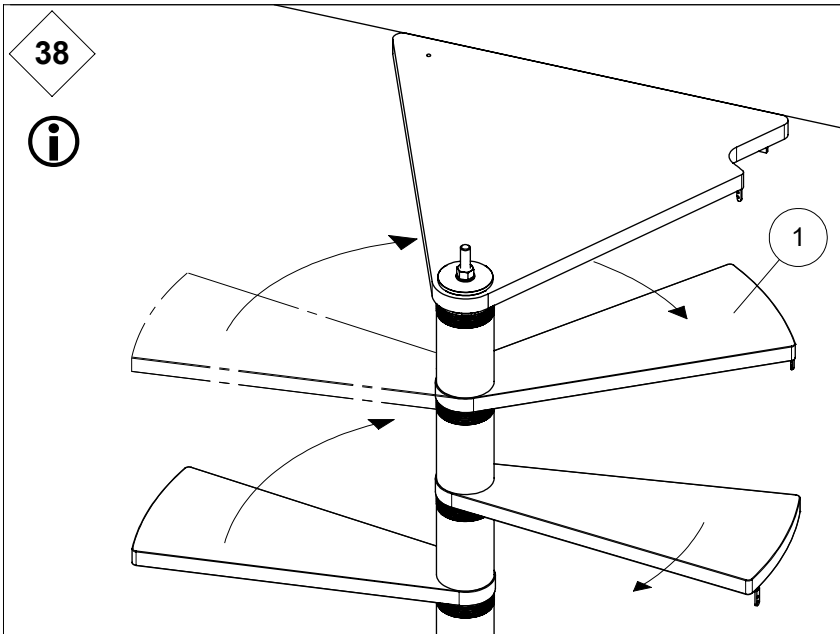
28

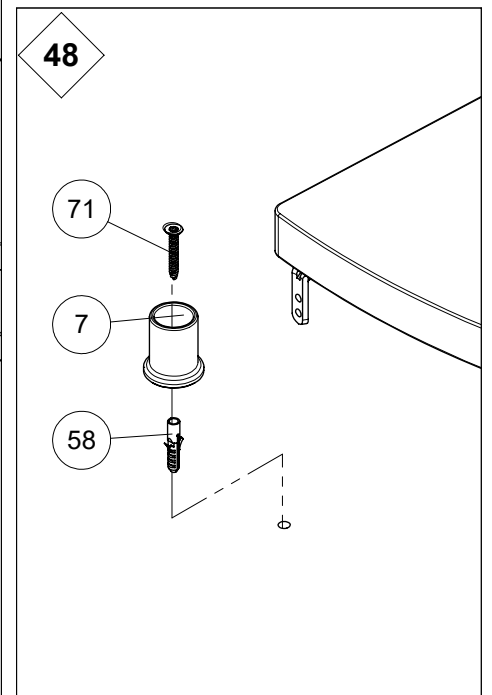
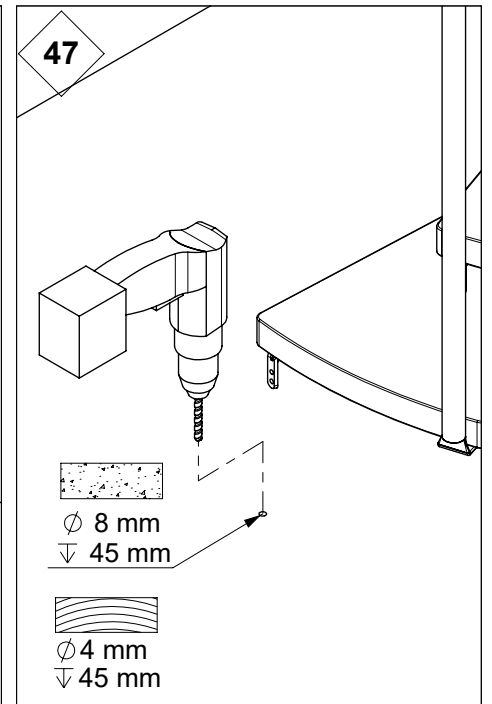
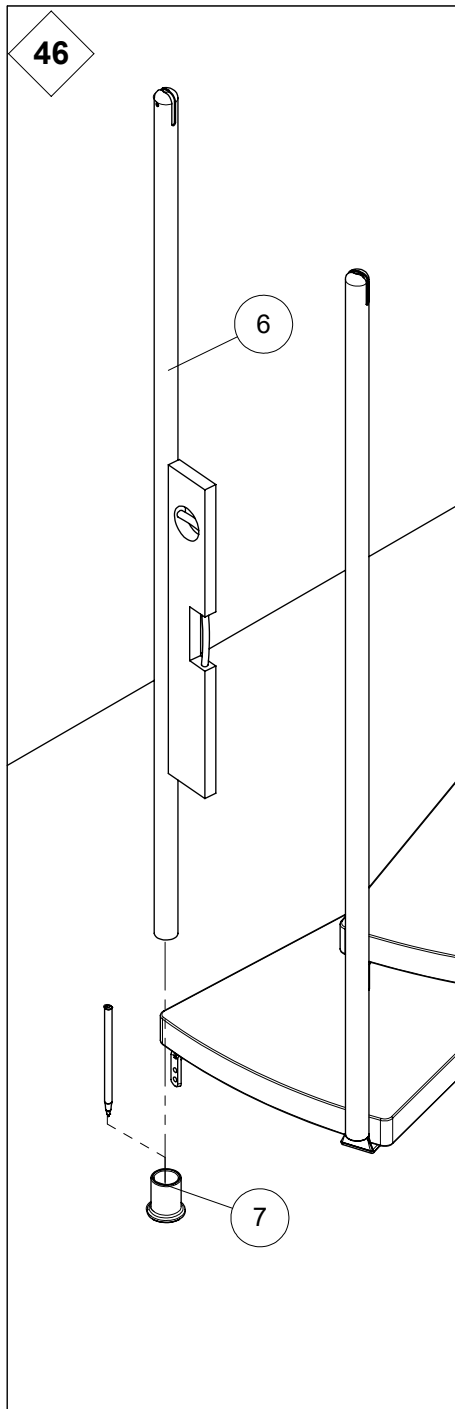
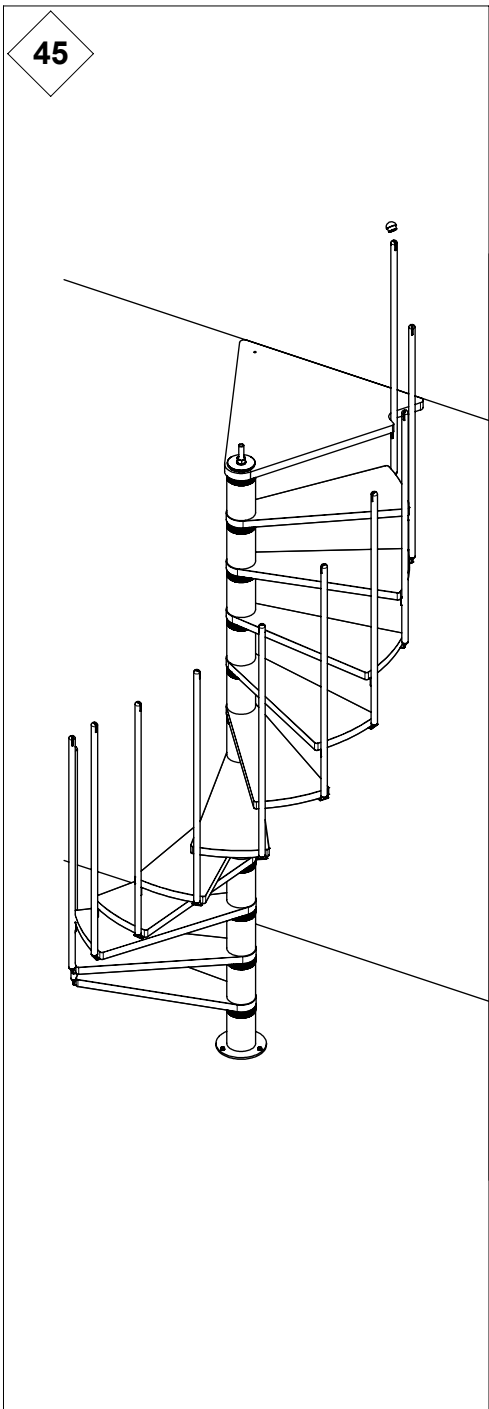
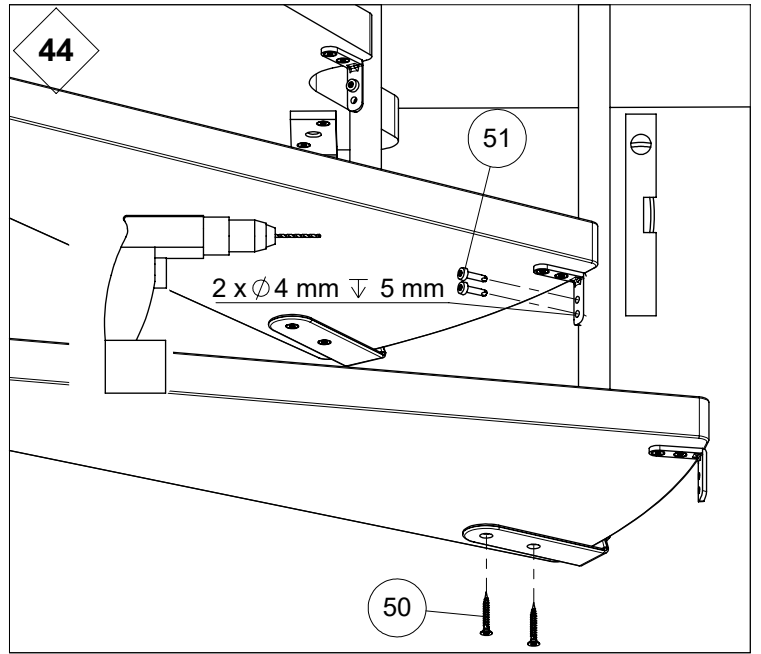
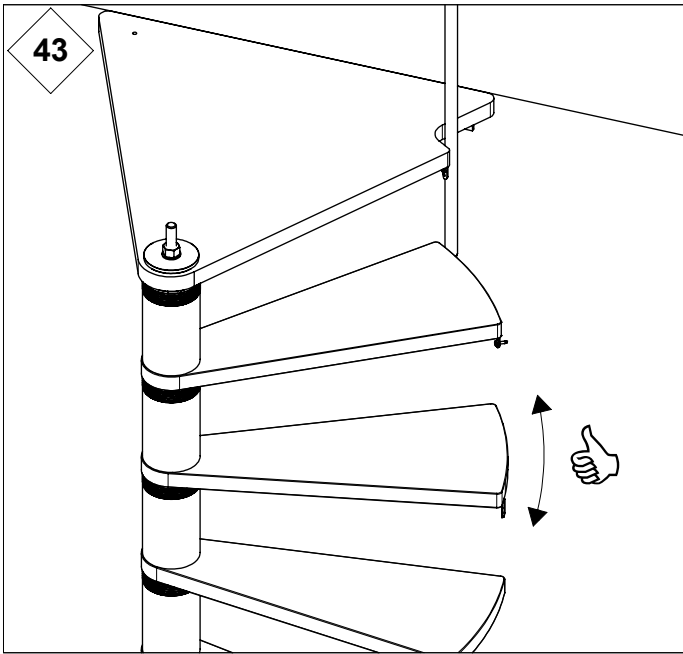


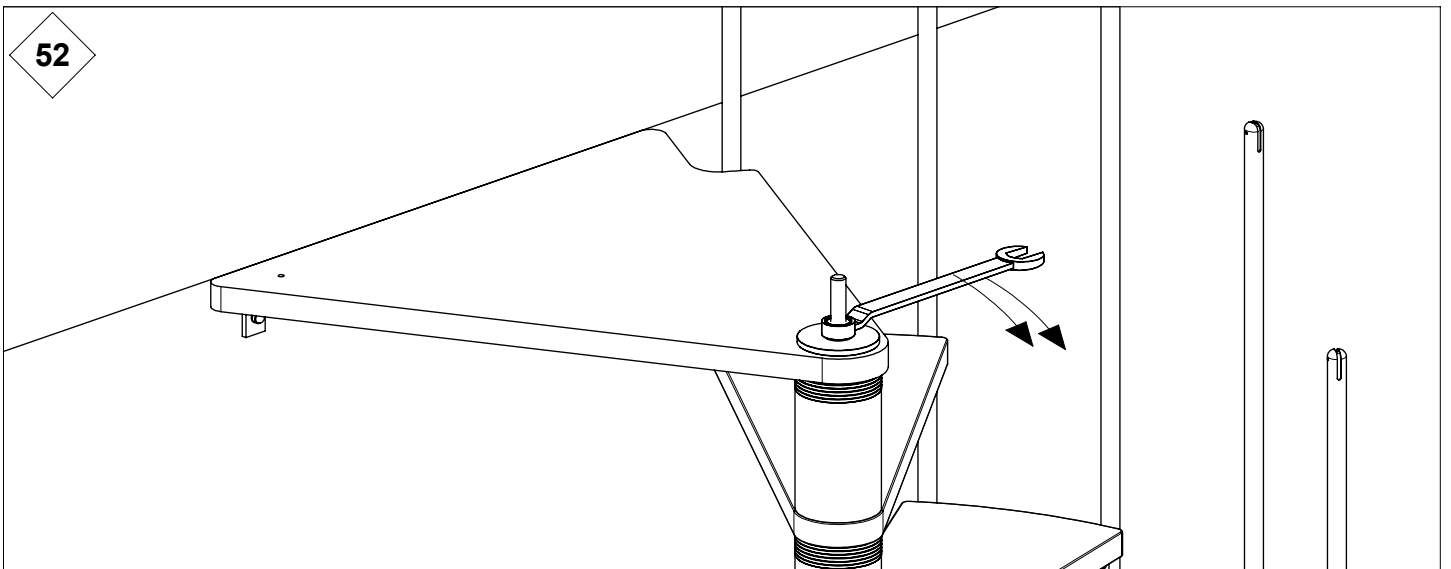
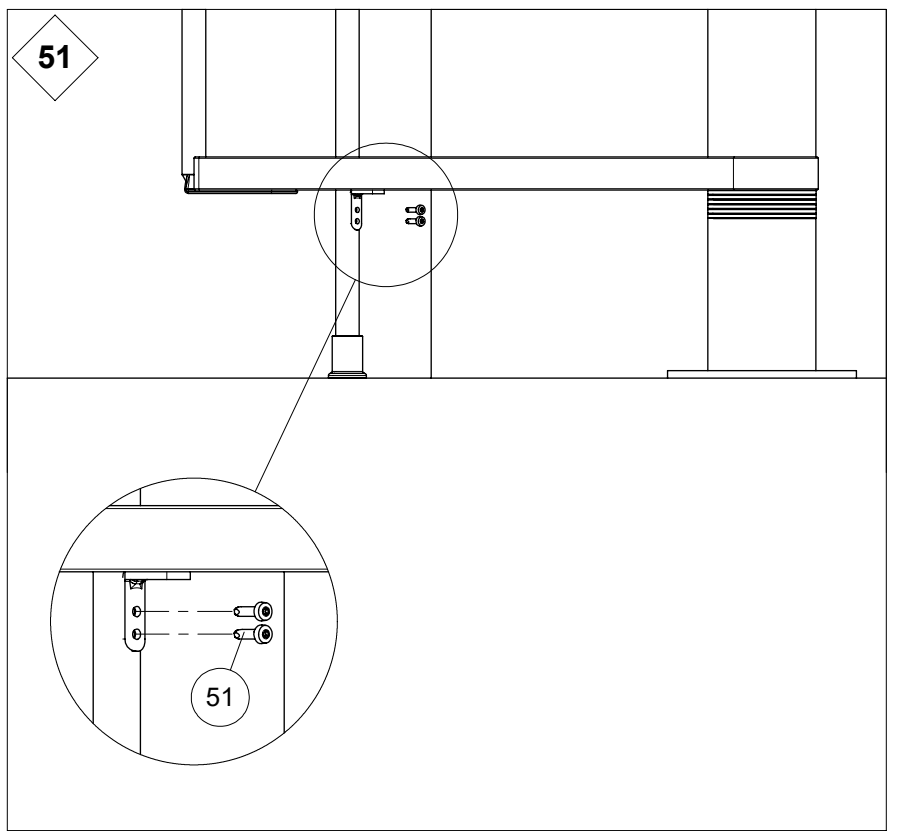
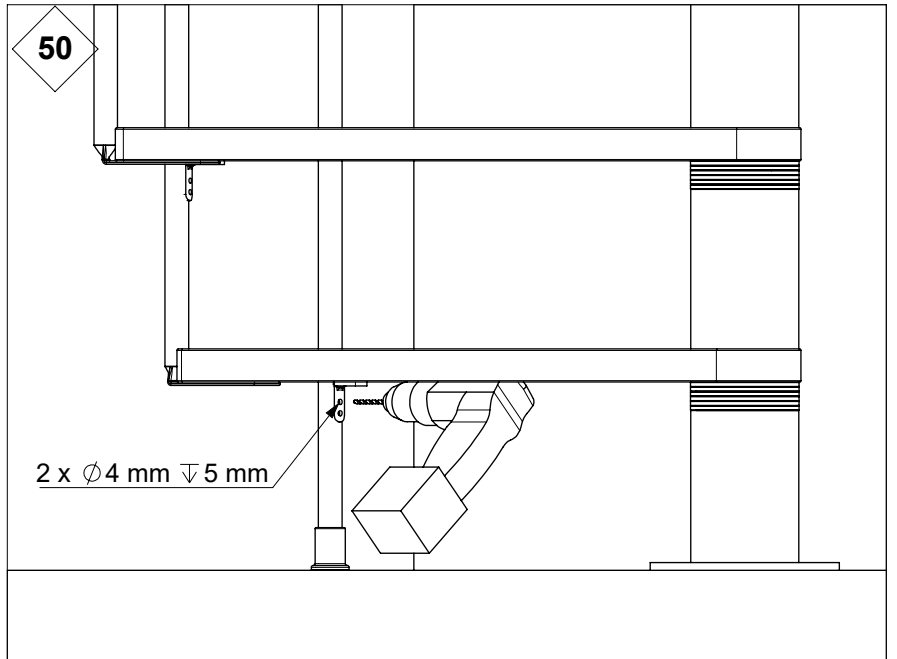
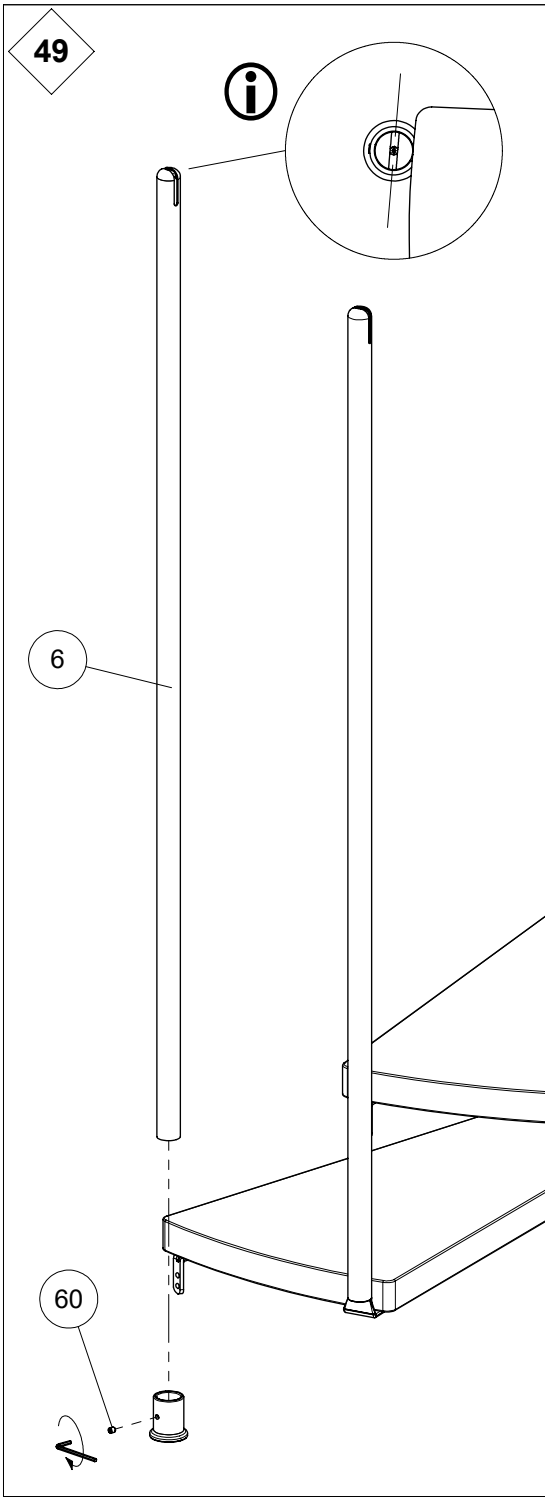
38

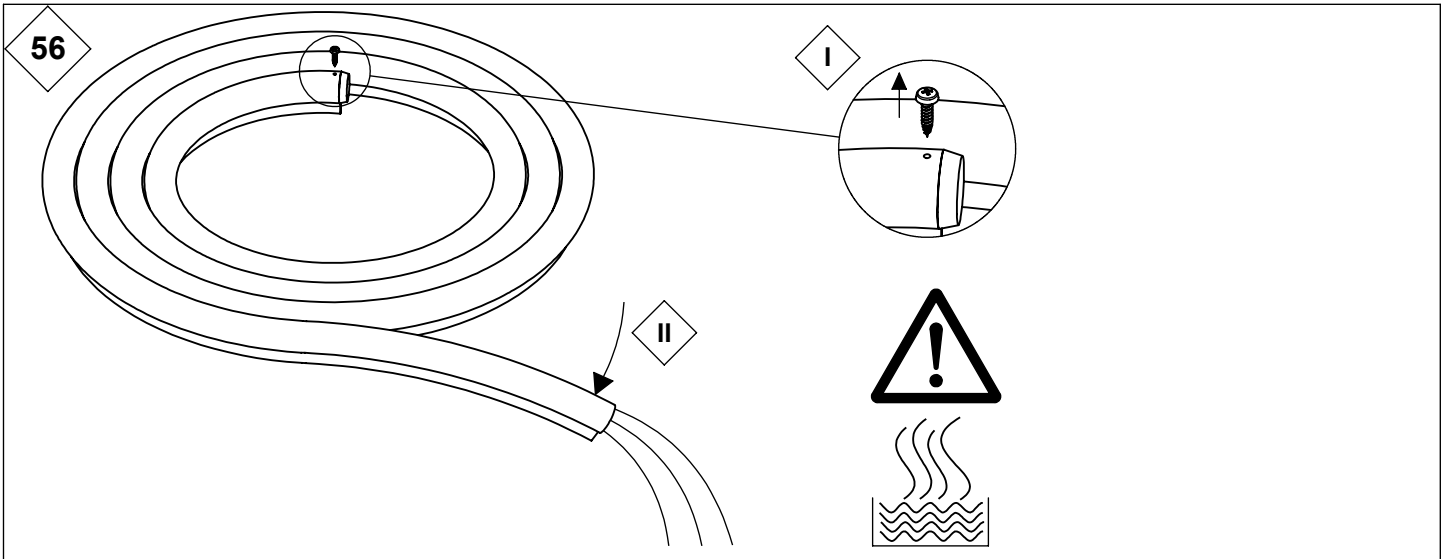
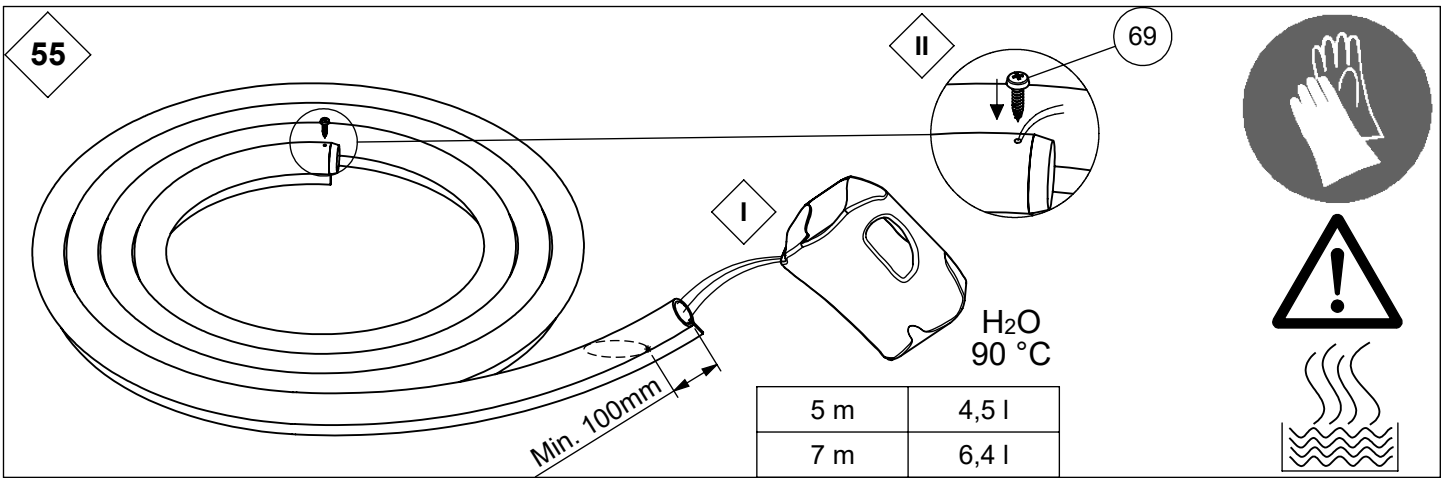
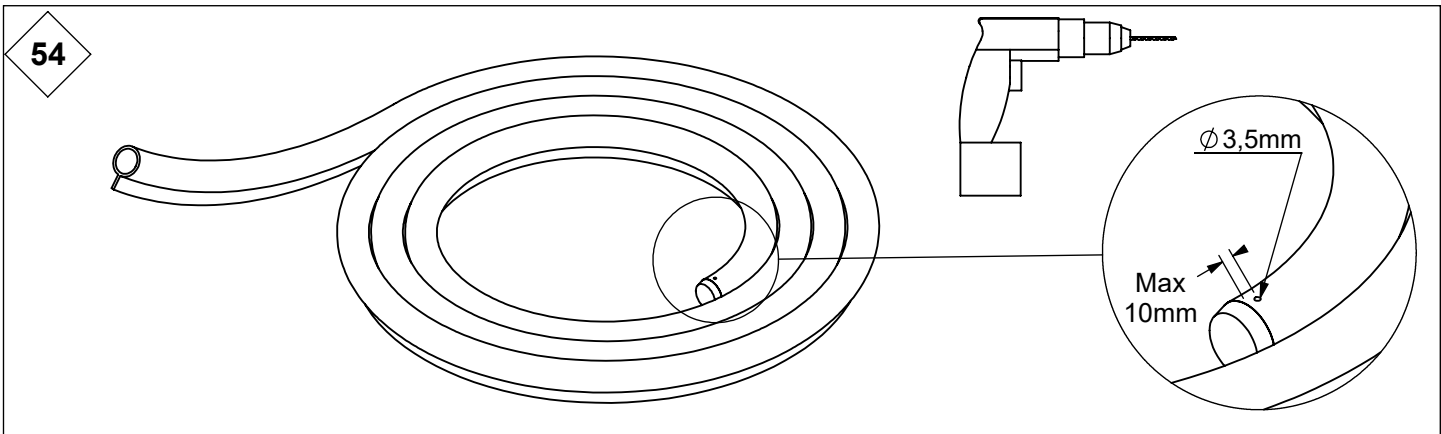
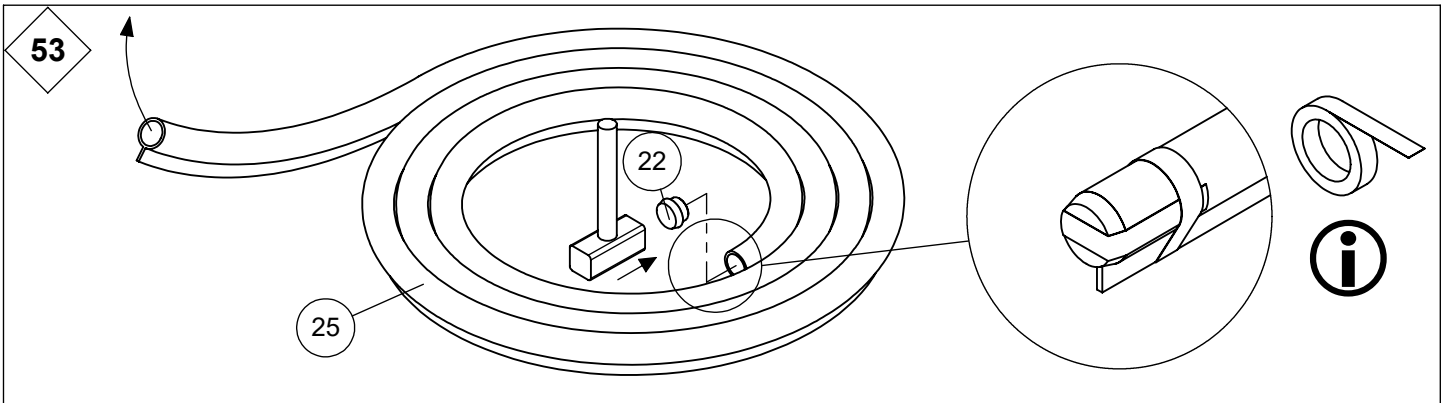
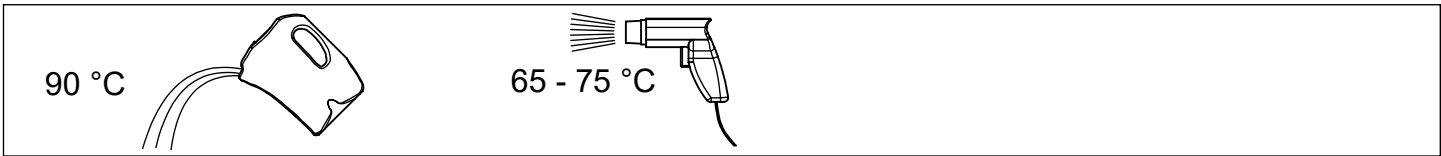


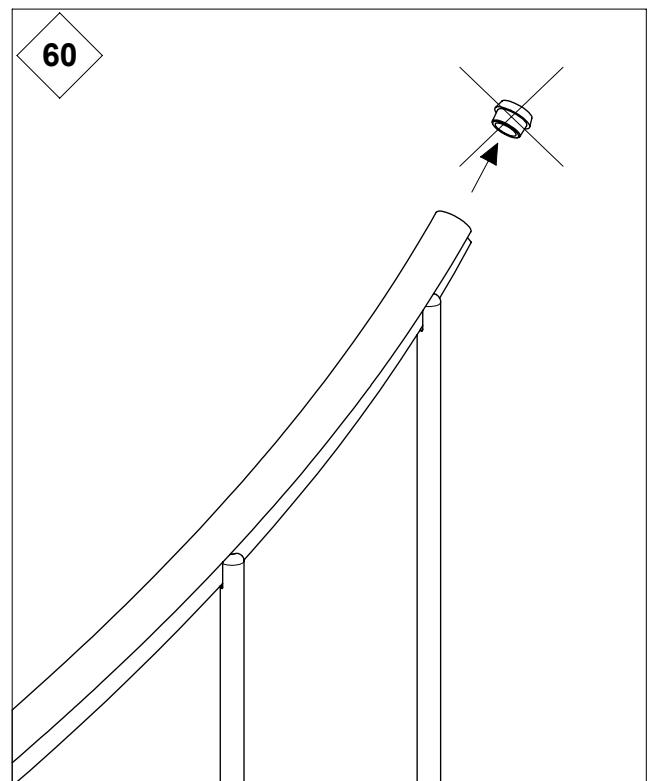
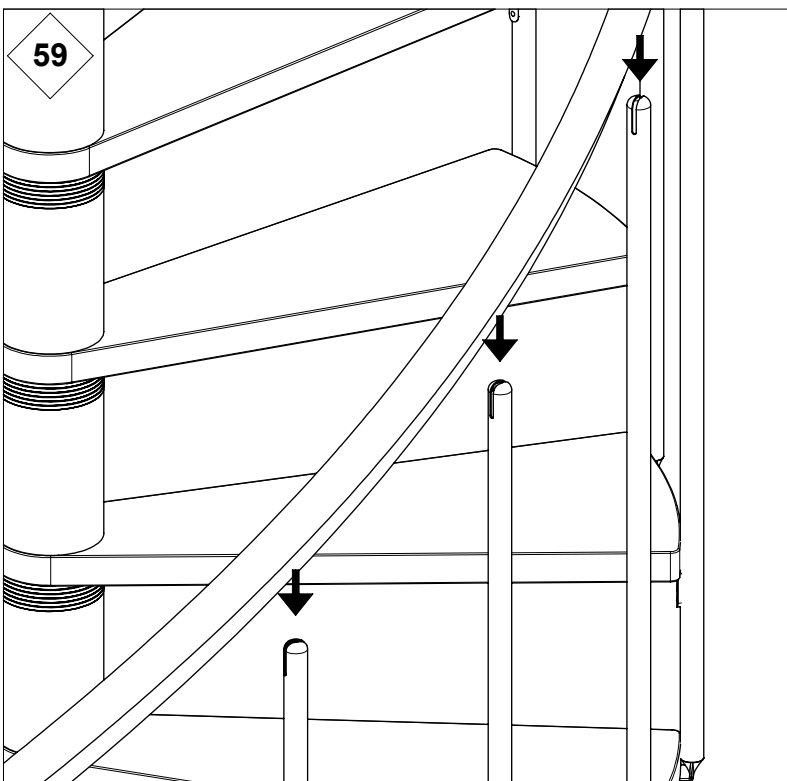
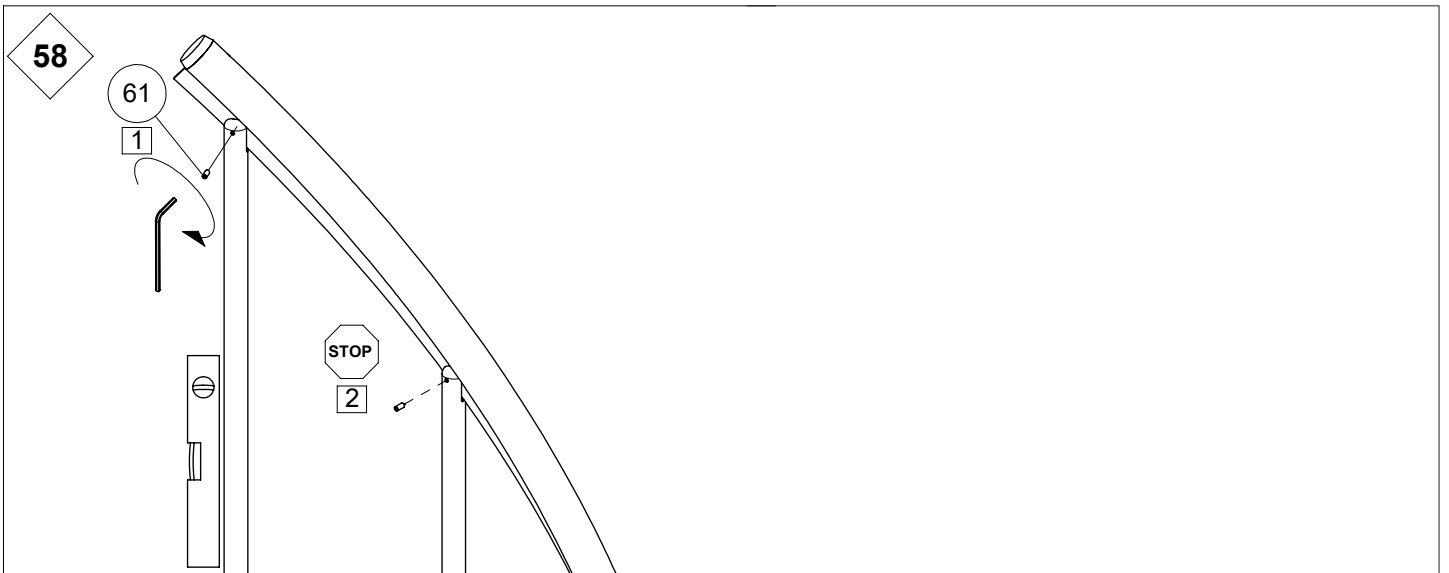
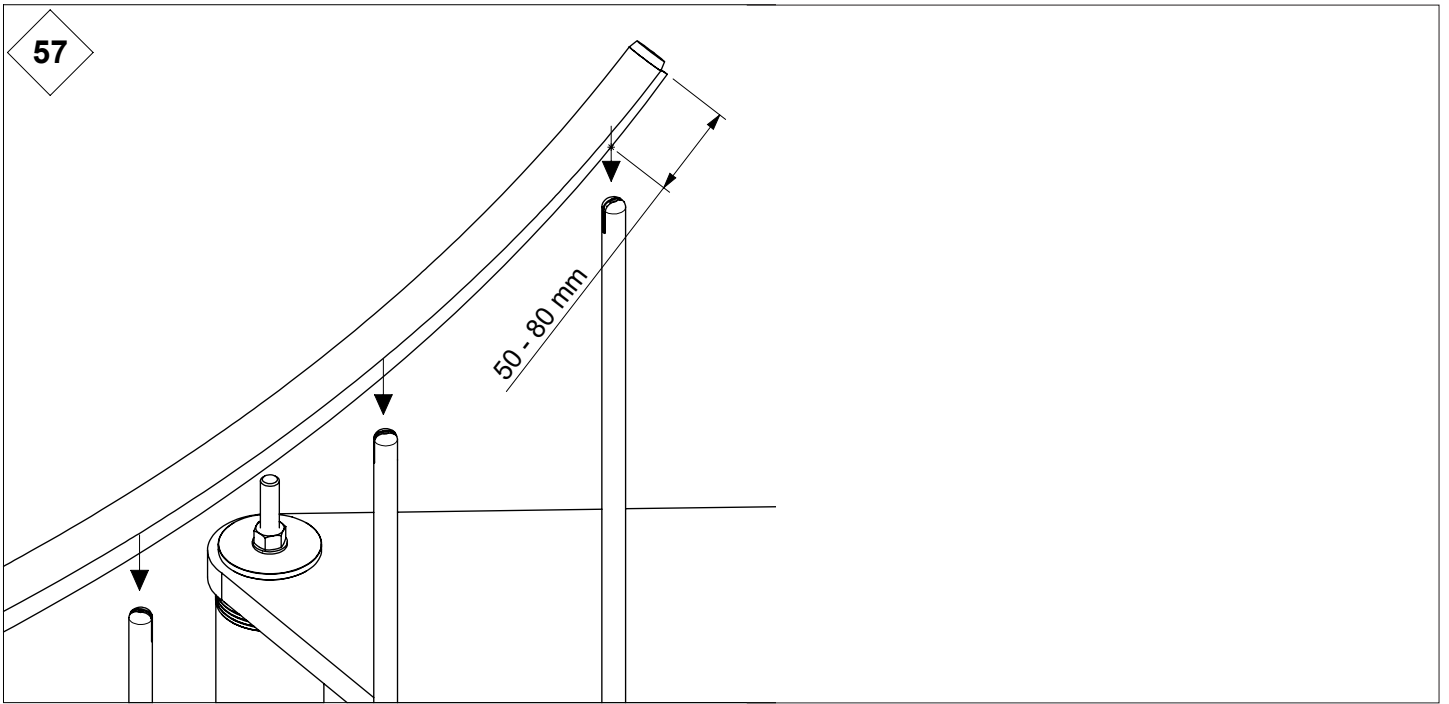


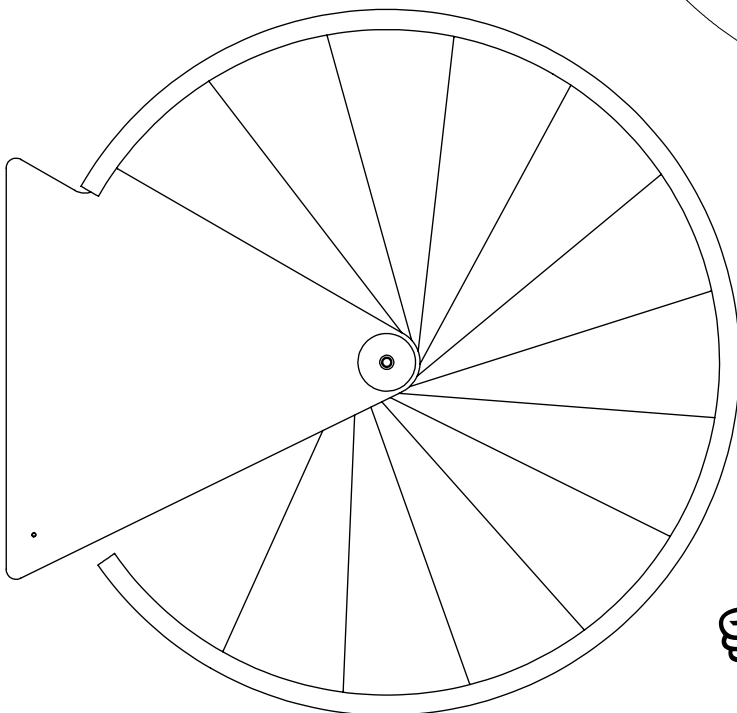
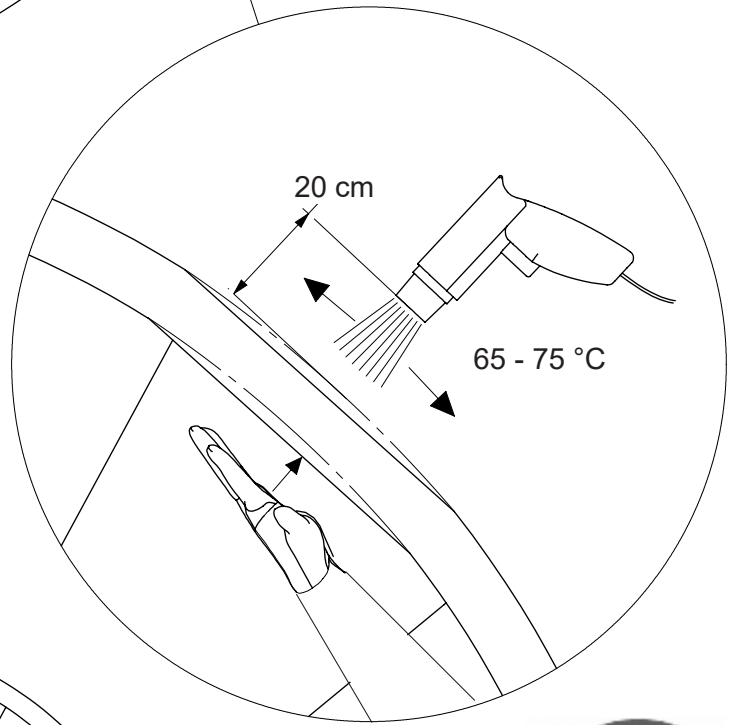
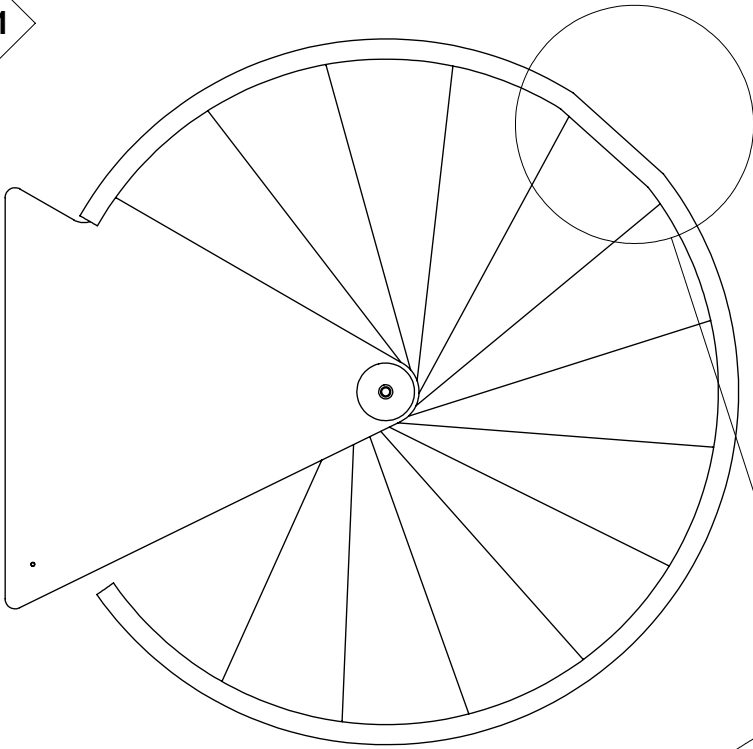


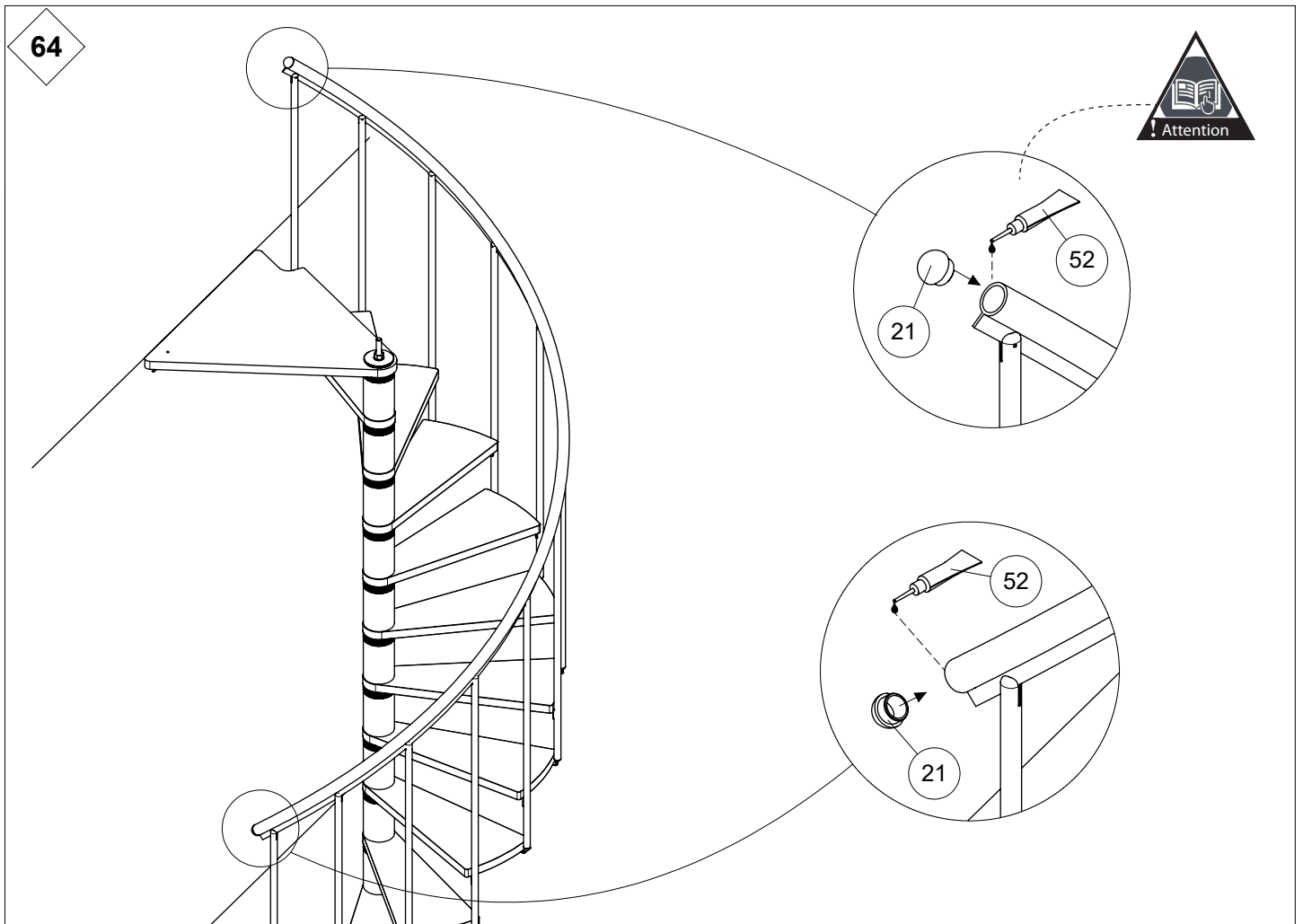
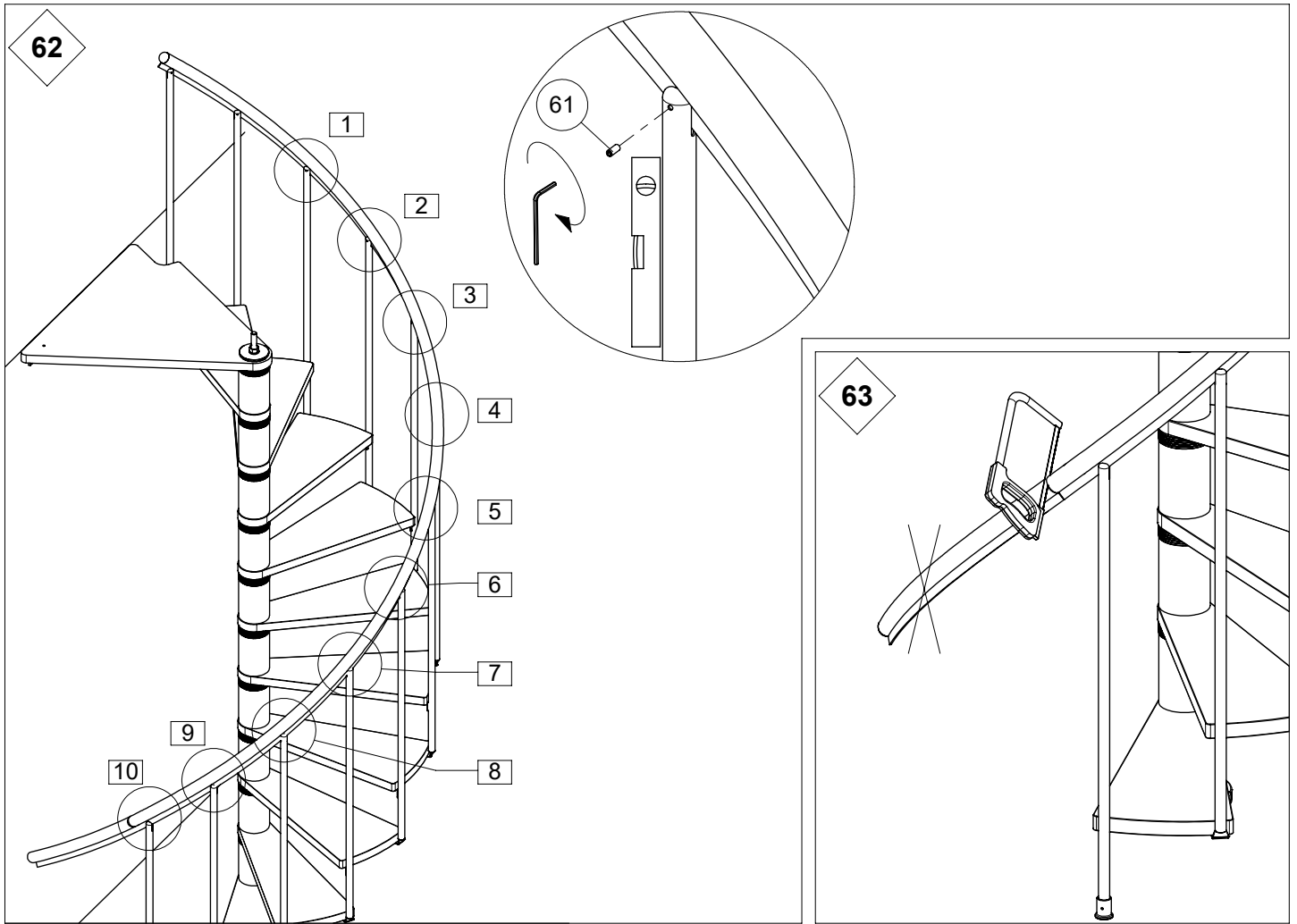


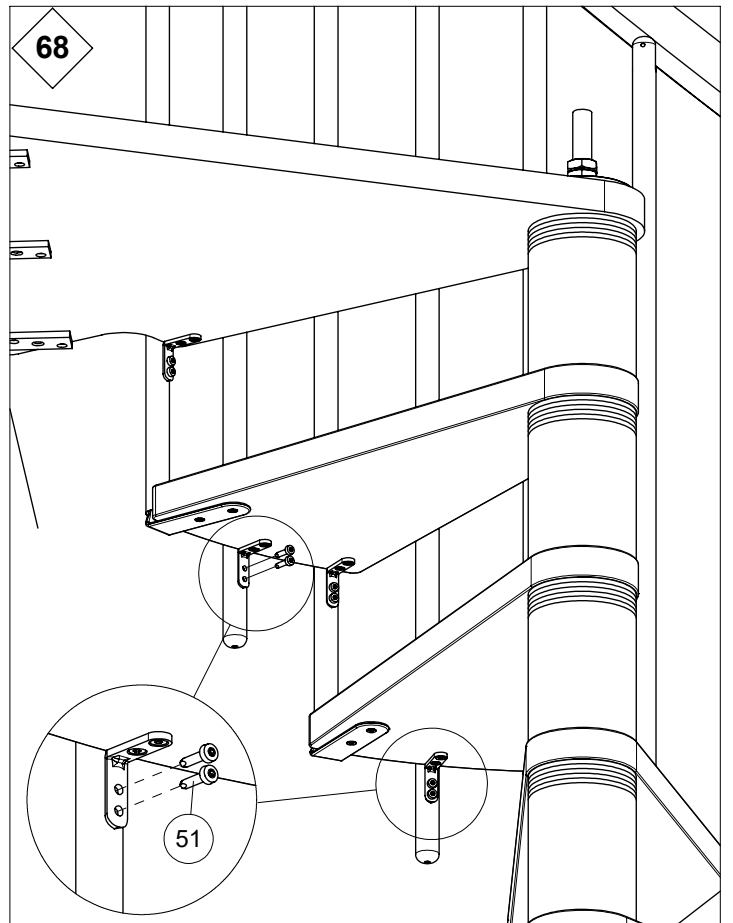
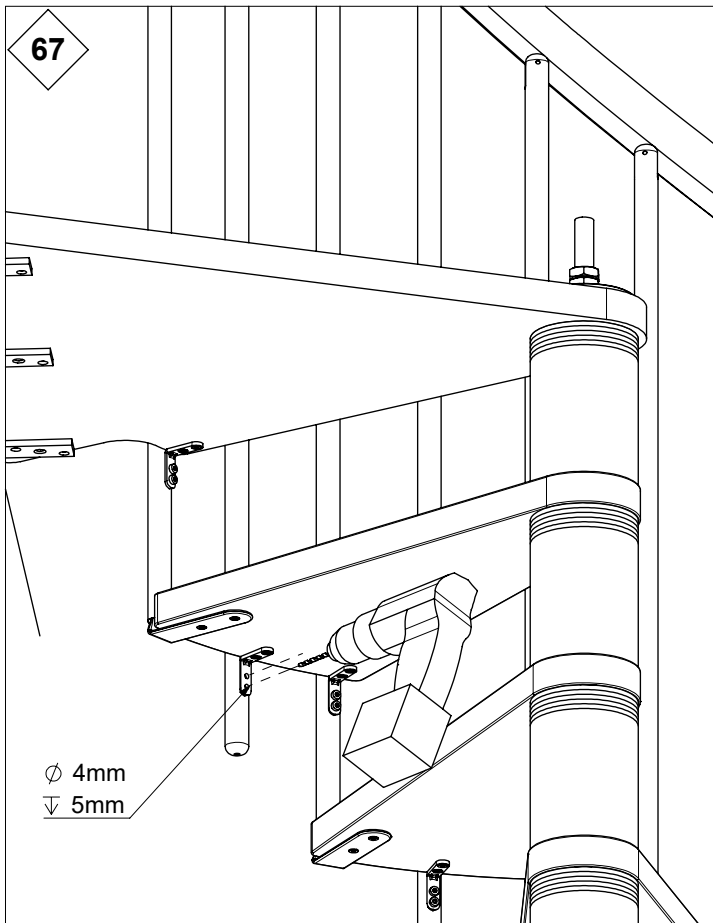
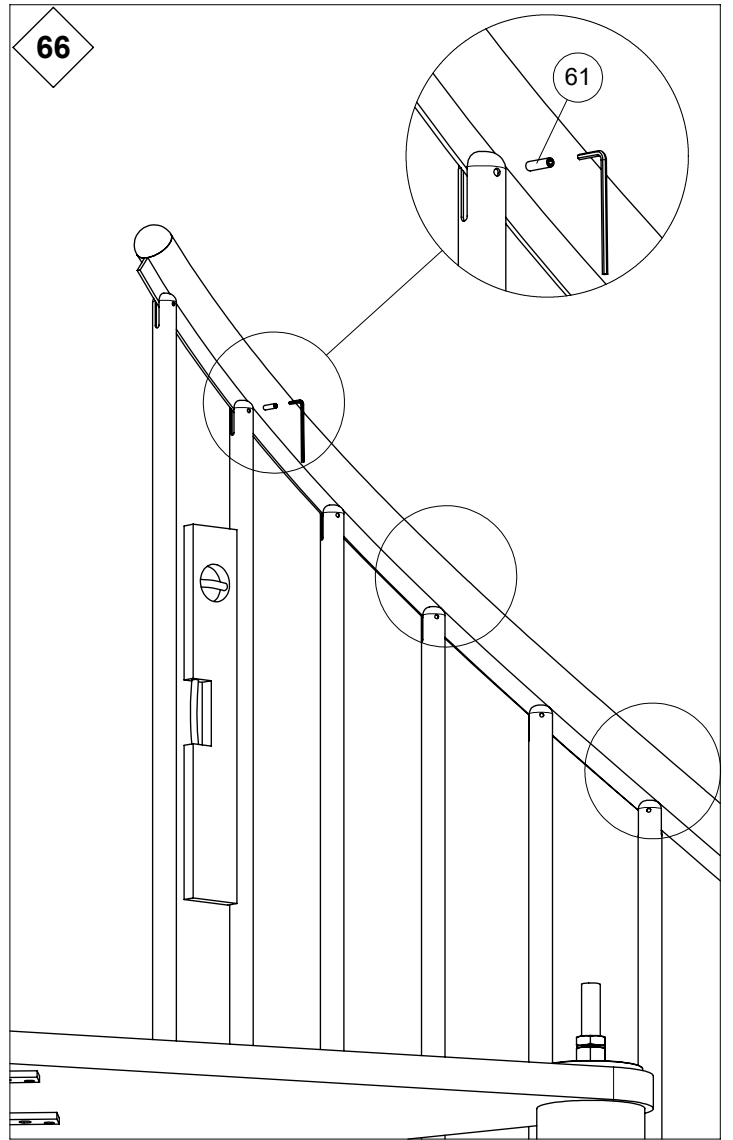
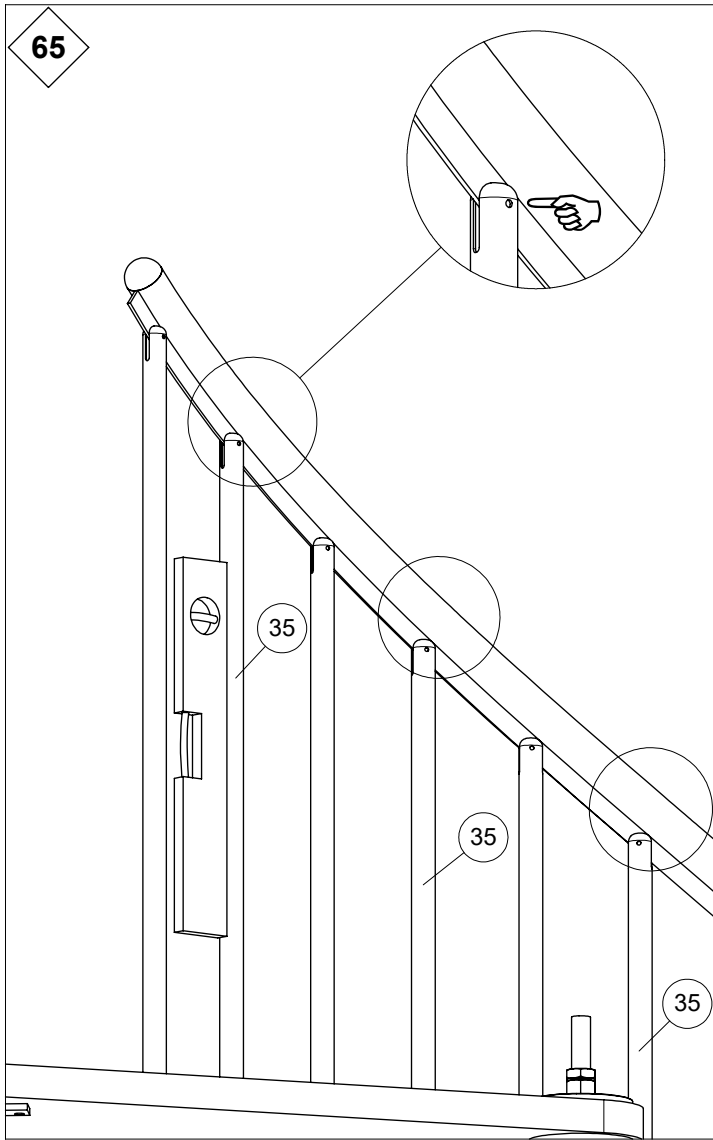


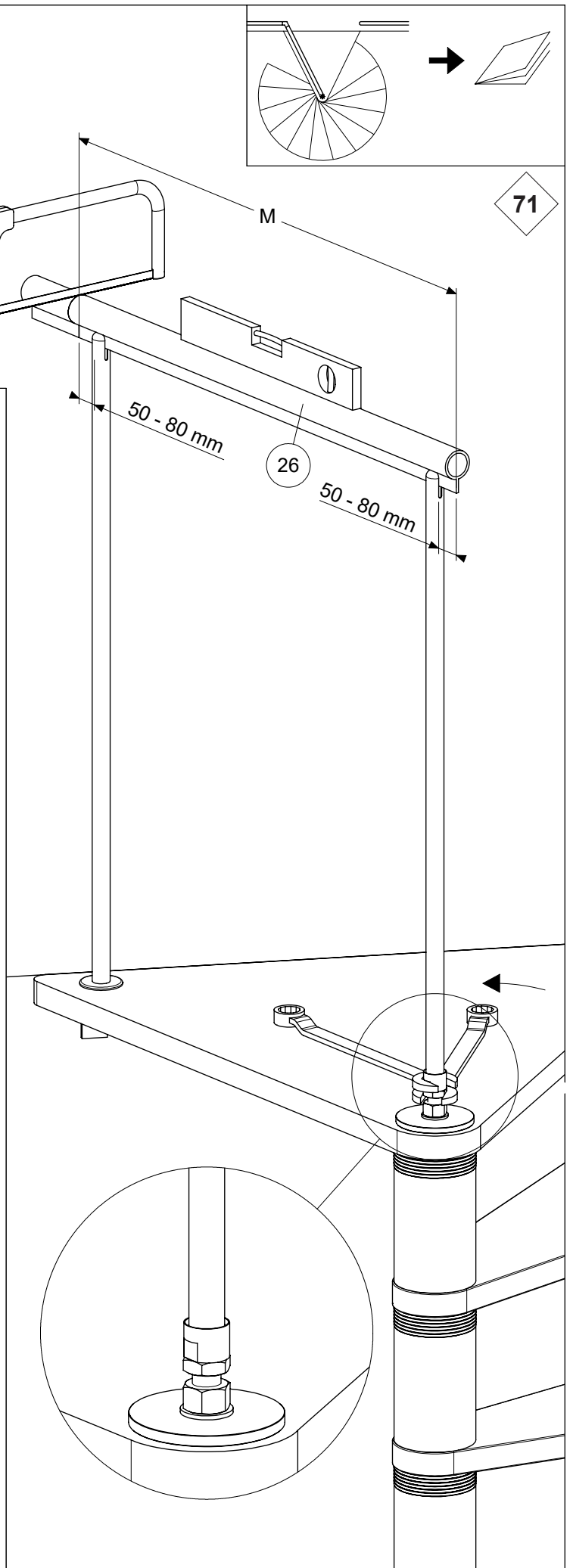
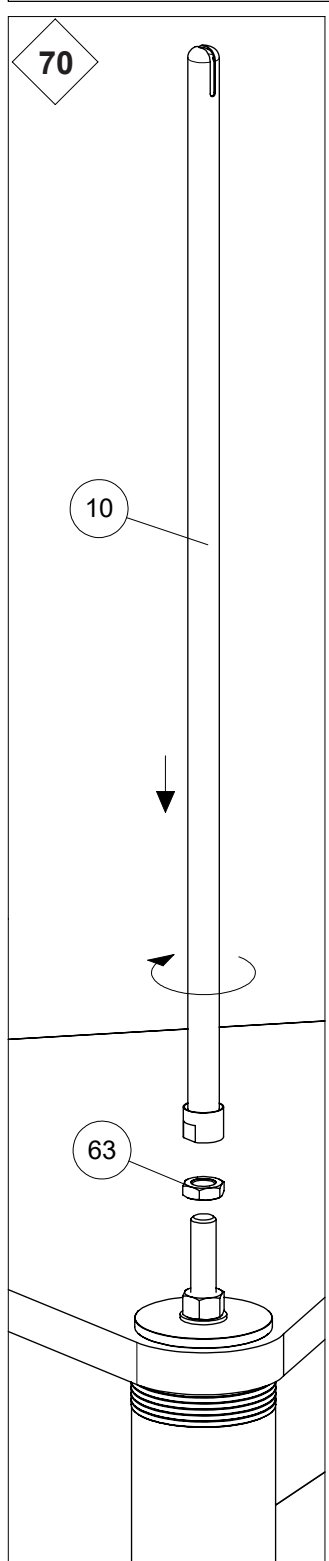
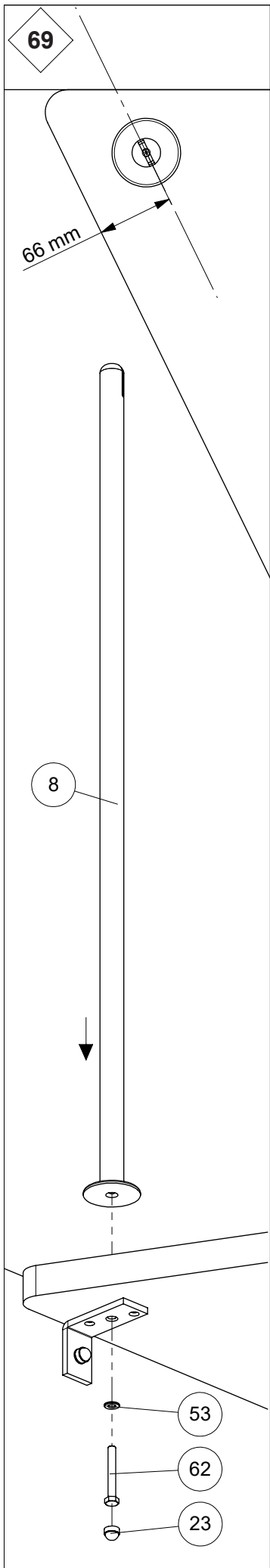




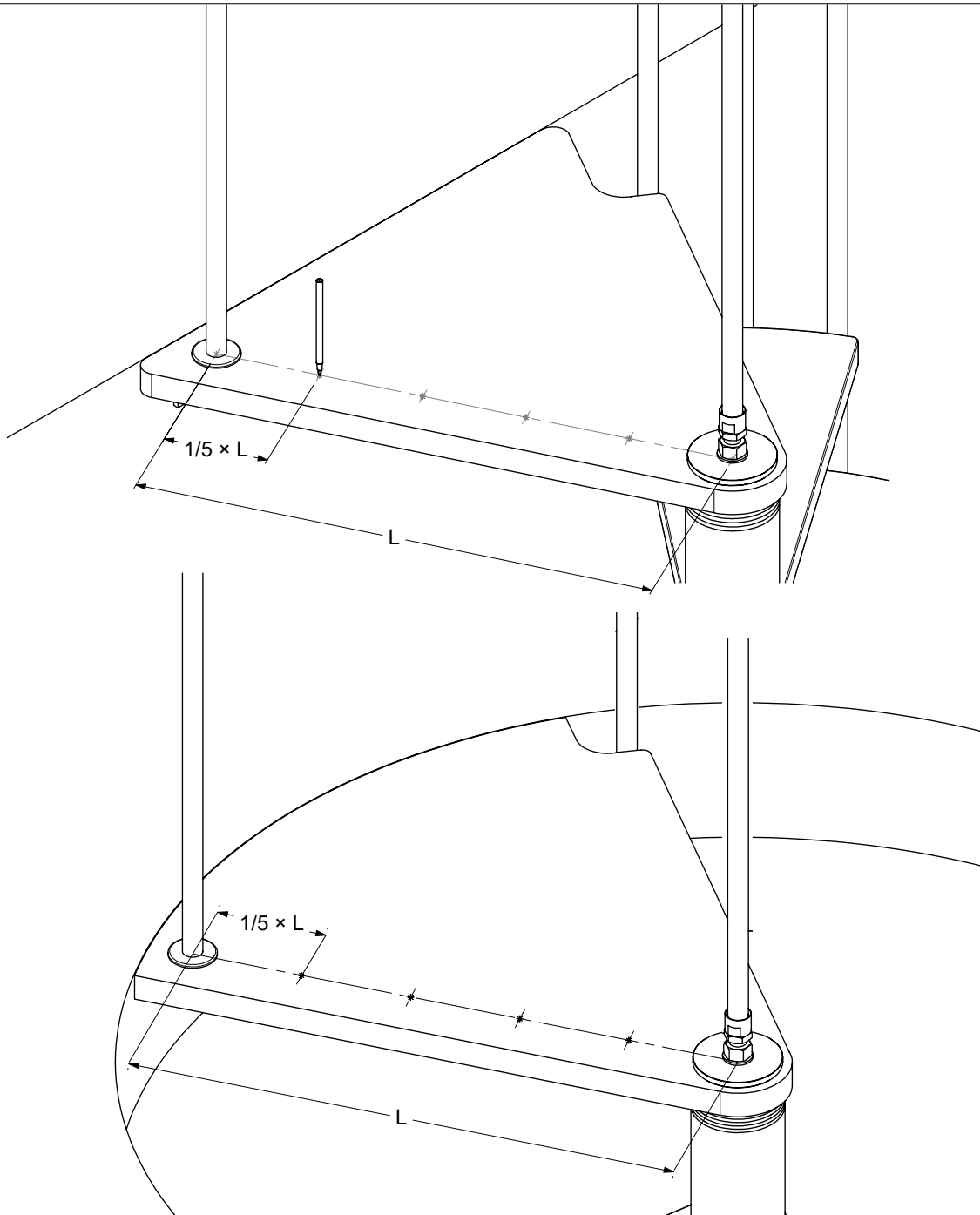








72



73

