

PACK WC A POSER

FRIENDLY "CLEAN FLUSH" SH



NOUVEAUTES - NEW MODEL - NOUVEAUTES - NEW MODEL

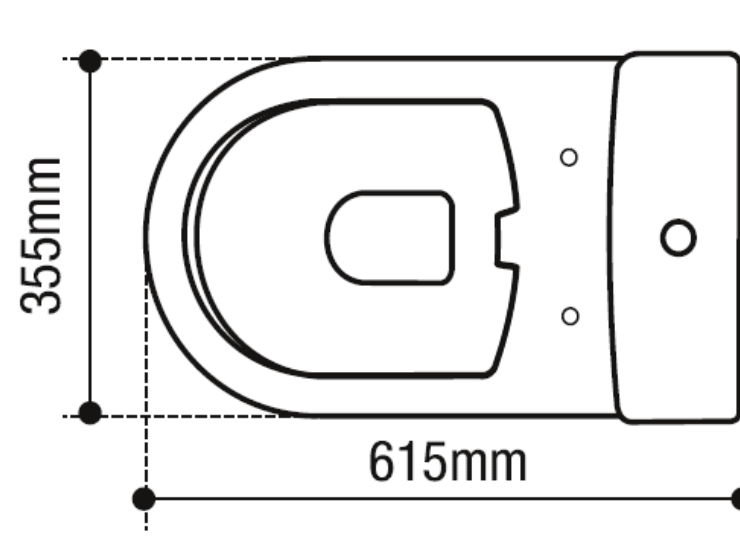
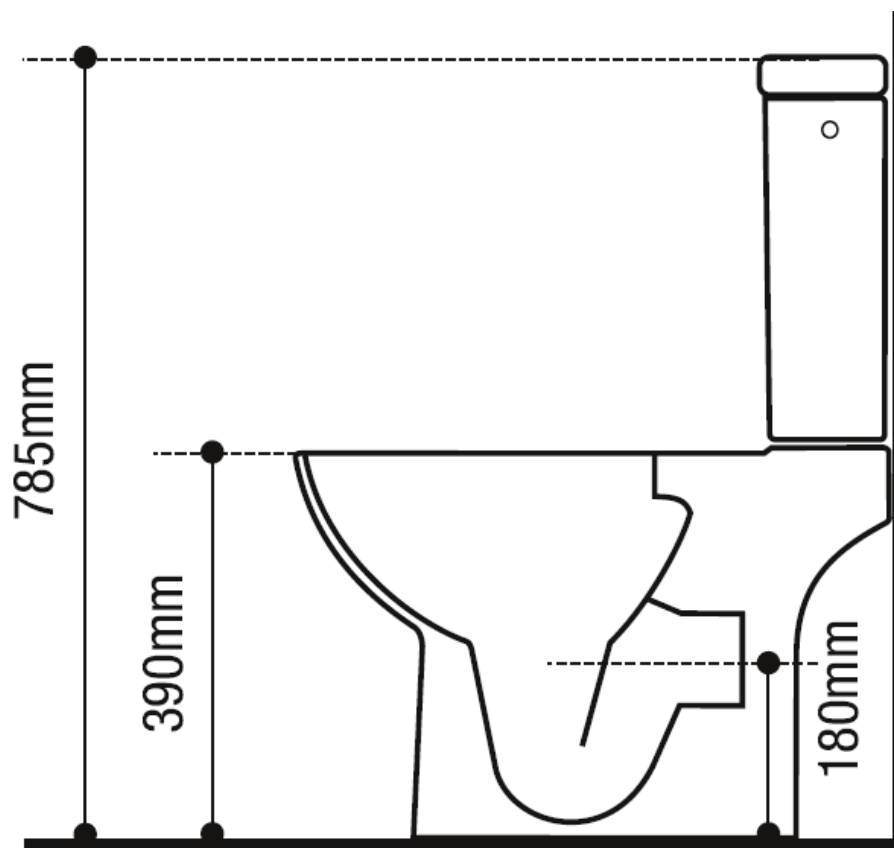
Produit Product	PACK WC CARENE	PACK WC
Composition Include	<p>1 CUVETTE CARENEE "SANS BRIDE" "ASSISE GRAND CONFORT" "SEMI BACK TO WALL" SORTIE HORIZONTAL OU VERTICAL "VARIO" "TRAITEMENT EMAIL HYGIENE +" REDUIT JUSQU'À + 99% LES BACTERIES DUREE PERMANENTE, TESTE DERMATOLOGIQUEMENT.</p> <p>1 ABATTANT "DUROPLAST ANTIBACTERIEN" 2,7kg EXTRA SLIM, DECLIPSBALLE, FREIN DE CHUTE 1 RESERVOIR 1 MECANISME 3/6 Litres 1 ROBINET FLOTTEUR SILENCIEUX 1 KIT FIXATIONS AU SOL</p>	<p>1 PAN WC "RIMLESS" "SEMI BACK TO WALL" VARIO OUTLET HORIZONTAL OR VERTICAL "HYGIENE +" ENAMEL TREATMENT 1 SEAT COVER "DUROPLAST" ANTIBACTERIAL", 2,7kg EXTRA SLIM, EASY CLICK, SOFT CLOSED 1 MECANISM 3/6 Litres 1 SILENT FLOAT VALVE 1 FLOOR FIXING</p>
Matière Material	CERAMIQUE	CERAMIC
Coloris Color	BLANC	
Normes Standards	EN 997-A1	EN 997-A1
Dimensions Sizes	<p>Larg(mm): 375 Prof(mm): 615 Haut(mm): 790</p>	<p>Width(mm): 375 Depht(mm): 615 Height(mm): 790</p>
Poids (kg) Weight (kg)	39	39

GD GodartDistribution

Carvin - France - Téléphone : +33 (0)3 21 79 16 79 - Fax : +33 (0)3 21 74 13 33 - www.godart-distribution.com - Email : contact@godart-distribution.com

PACK WC A POSER

FRIENDLY RIMLESS



GD GodartDistribution

Carvin - France - Téléphone : +33 (0)3 21 79 16 79 - Fax : +33 (0)3 21 74 13 33 - www.godart-distribution.com - Email : contact@godart-distribution.com